



US00D901490S

(12) **United States Design Patent** (10) **Patent No.:** **US D901,490 S**
Lee (45) **Date of Patent:** **** *Nov. 10, 2020**

(54) **COMBINED PEN AND ELECTRONIC DEVICE**

3/044; G06F 1/1613; G06F 1/1626; G06F 2200/1633; G06F 3/0488; G06F (Continued)

(71) Applicant: **Samsung Electronics Co., Ltd.**, Suwon-si (KR)

(56) **References Cited**

(72) Inventor: **Junyoung Lee**, Seoul (KR)

U.S. PATENT DOCUMENTS

(73) Assignee: **SAMSUNG ELECTRONICS CO., LTD.**, Suwon-si (KR)

D360,195 S 7/1995 Kimbrough
D413,308 S 8/1999 Nelson
D466,115 S 11/2002 Hawkins
(Continued)

(*) Notice: This patent is subject to a terminal disclaimer.

Primary Examiner — Dana K Weiland

(**) Term: **15 Years**

(74) *Attorney, Agent, or Firm* — McAndrews Held & Malloy, Ltd.

(21) Appl. No.: **29/629,156**

(57) **CLAIM**

(22) Filed: **Dec. 12, 2017**

The ornamental design for a combined pen and electronic device, as shown and described.

Related U.S. Application Data

DESCRIPTION

(63) Continuation of application No. 29/543,882, filed on Oct. 29, 2015, now Pat. No. Des. 807,349.

(51) **LOC (12) Cl.** **14-02**

(52) **U.S. Cl.**
USPC **D14/342**; D14/411

(58) **Field of Classification Search**
USPC D14/411, 251–254, 315–318, 341–347, D14/420, 426, 240, 129–130, 496, 137, D14/138 R, 138 AA, 138 AB, 138 AC, D14/136 AD, 138 C, 138 G, 147, D14/203.1–203.8, 218, 247, 371, 248, D14/388–389, 374; D8/61; D19/35, 36, D19/77, 81–84, 115–204, 26, 59, 60; D16/208; D6/308, 310; D10/104.1, 50, D10/65; D18/6–7; D21/324, 329, 330, D21/332

CPC . B43K 5/005; B43K 7/12; B43K 8/04; B43K 8/06; B43K 19/00; B43K 19/02; B43K 19/14; B43K 21/006; B43K 21/06; F16M 11/14; G02B 27/017; G06F 3/016; G06F 3/033; G06F 3/0317; G06F 3/041; G06F

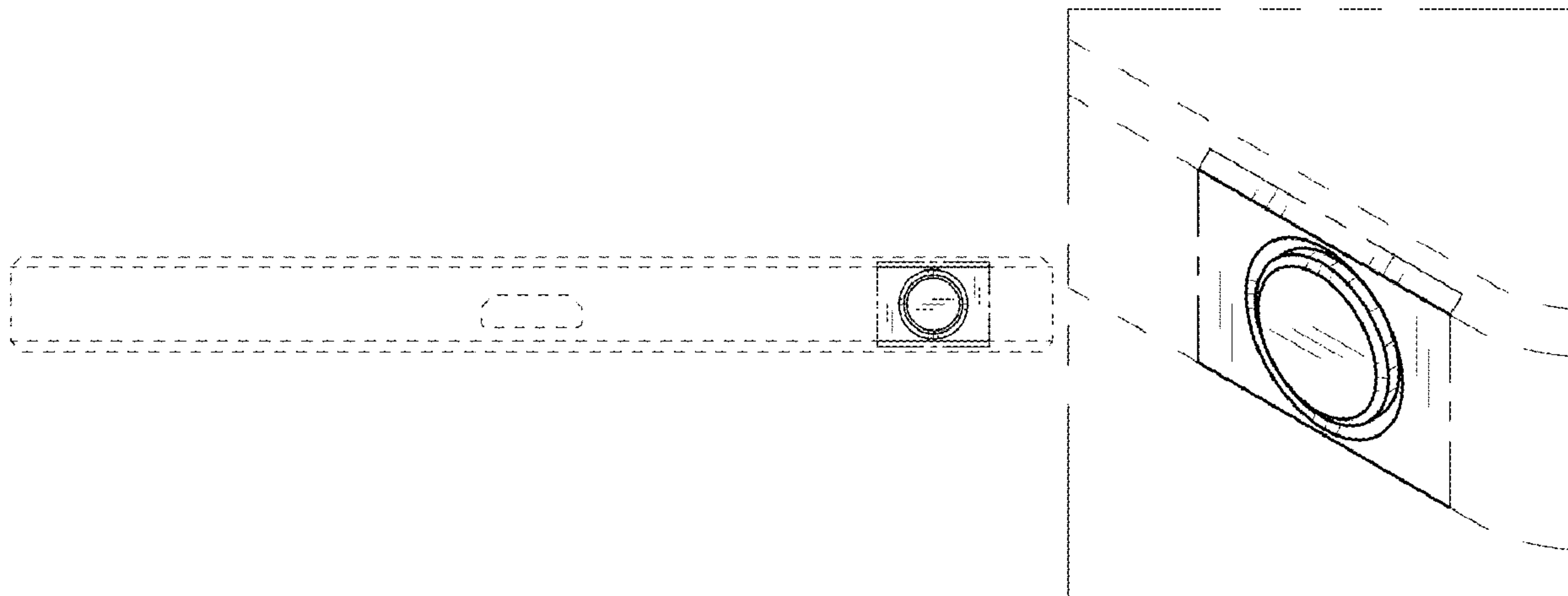
FIG. 1 is a bottom perspective view of a combined pen and electronic device showing my new design; FIG. 2 is a front elevation view thereof; FIG. 3 is a rear elevation view thereof; FIG. 4 is a left-side elevation view thereof; FIG. 5 is a right-side elevation view thereof; FIG. 6 is a top plan view thereof; FIG. 7 is a bottom plan view thereof; and, FIG. 8 is an enlarged bottom perspective view of the portion delineated in FIG. 1.

The evenly spaced dashed broken lines shown in the drawings illustrate portions of the electronic device that form no part of the claimed design.

The dot-dash broken lines shown in the drawings illustrate a boundary line that forms no part of the claimed design.

The dot-dot-dash broken lines shown in the drawings delineate portions of the claimed design in FIGS. 1 and 8 that are illustrated in an enlarged view and form no part of the claimed design.

1 Claim, 5 Drawing Sheets



US D901,490 S

Page 2

- (58) **Field of Classification Search**
CPC . 3/04886; G06F 3/0412; G06F 3/0416; G06K
9/222; H04B 1/3833
See application file for complete search history.

(56) **References Cited**

U.S. PATENT DOCUMENTS

D499,718 S * 12/2004 Chen D14/218
D506,937 S * 7/2005 Lee D10/65
D513,749 S 1/2006 Schlieffers
D515,085 S 2/2006 Schlieffers
D528,527 S 9/2006 Lee
D529,909 S 10/2006 Daw
D531,177 S 10/2006 Okanoya
7,181,256 B2 2/2007 Hyun
D542,781 S * 5/2007 Chen D14/218
D551,659 S * 9/2007 Shih D14/218
D568,310 S 5/2008 Franck
D573,970 S 7/2008 Park
D574,850 S 8/2008 Zimman
D583,810 S 12/2008 Chen
D586,801 S 2/2009 Mincoelli
D591,743 S 5/2009 Corley
D598,893 S 8/2009 Asai
D603,823 S 11/2009 Chon
D606,539 S 12/2009 Liao
D615,520 S 5/2010 Kim
D615,955 S 5/2010 Oh
D627,778 S 11/2010 Akana
D633,910 S * 3/2011 Cacioppo D14/218
D638,014 S 5/2011 Chong
D638,015 S 5/2011 Chong
D641,387 S * 7/2011 Lee D16/202
D647,519 S * 10/2011 Rothbaum D14/250
D652,015 S 1/2012 Han
D655,292 S 3/2012 Nakata
D675,182 S 1/2013 He
D675,186 S 1/2013 Han
D676,014 S 2/2013 Chung
D682,242 S 5/2013 Yoo
D686,590 S 7/2013 Cho
D688,645 S 8/2013 Cho
D694,751 S * 12/2013 Ju D14/341
D696,664 S 12/2013 Iida
D701,183 S 3/2014 Son

D709,477 S 7/2014 Hirota
D709,851 S 7/2014 Cai
D716,796 S 11/2014 Clegg
D716,814 S 11/2014 Nakata
D717,757 S 11/2014 Cho
D717,798 S * 11/2014 Groene D14/411
D720,326 S 12/2014 Chao
D720,716 S 1/2015 Bonar
D721,348 S 1/2015 Plaschke
D722,116 S 2/2015 Gottschalk
D722,596 S * 2/2015 VanDuyn D14/218
D734,749 S 7/2015 Chen
D737,815 S 9/2015 Finney
D740,281 S 10/2015 Kim
D745,002 S 12/2015 Sohn
D745,510 S 12/2015 Lee
D748,623 S 2/2016 Guo
D758,361 S 6/2016 Yeo
D760,217 S 6/2016 Akana
D762,207 S 7/2016 Akana
D763,253 S * 8/2016 Akana D14/341
D763,846 S 8/2016 Lee
D763,847 S 8/2016 Lee
D767,562 S 9/2016 Jang
D771,620 S 11/2016 Kim
D778,905 S 2/2017 Akana
D780,175 S 2/2017 Jung
D780,748 S 3/2017 Wang
D783,602 S 4/2017 Akana
D783,604 S 4/2017 Wesolek
D785,617 S 5/2017 Bidwell
D792,394 S 7/2017 Lee
D807,349 S * 1/2018 Lee D14/342
D808,384 S * 1/2018 Lee D14/342
D813,237 S * 3/2018 Lee D14/411
D813,238 S * 3/2018 Lee D14/411
D813,407 S * 3/2018 Chen D24/215
D832,841 S * 11/2018 Lee D14/411
D832,842 S * 11/2018 Lee D14/411
D845,949 S * 4/2019 Huebner D14/411
D868,060 S * 11/2019 Akana D14/341
2008/0094292 A1 4/2008 Su
2009/0128521 A1 5/2009 Chen
2010/0110043 A1 5/2010 Lu
2011/0133997 A1 6/2011 Lee
2011/0254781 A1 10/2011 Liang

* cited by examiner

FIG.1

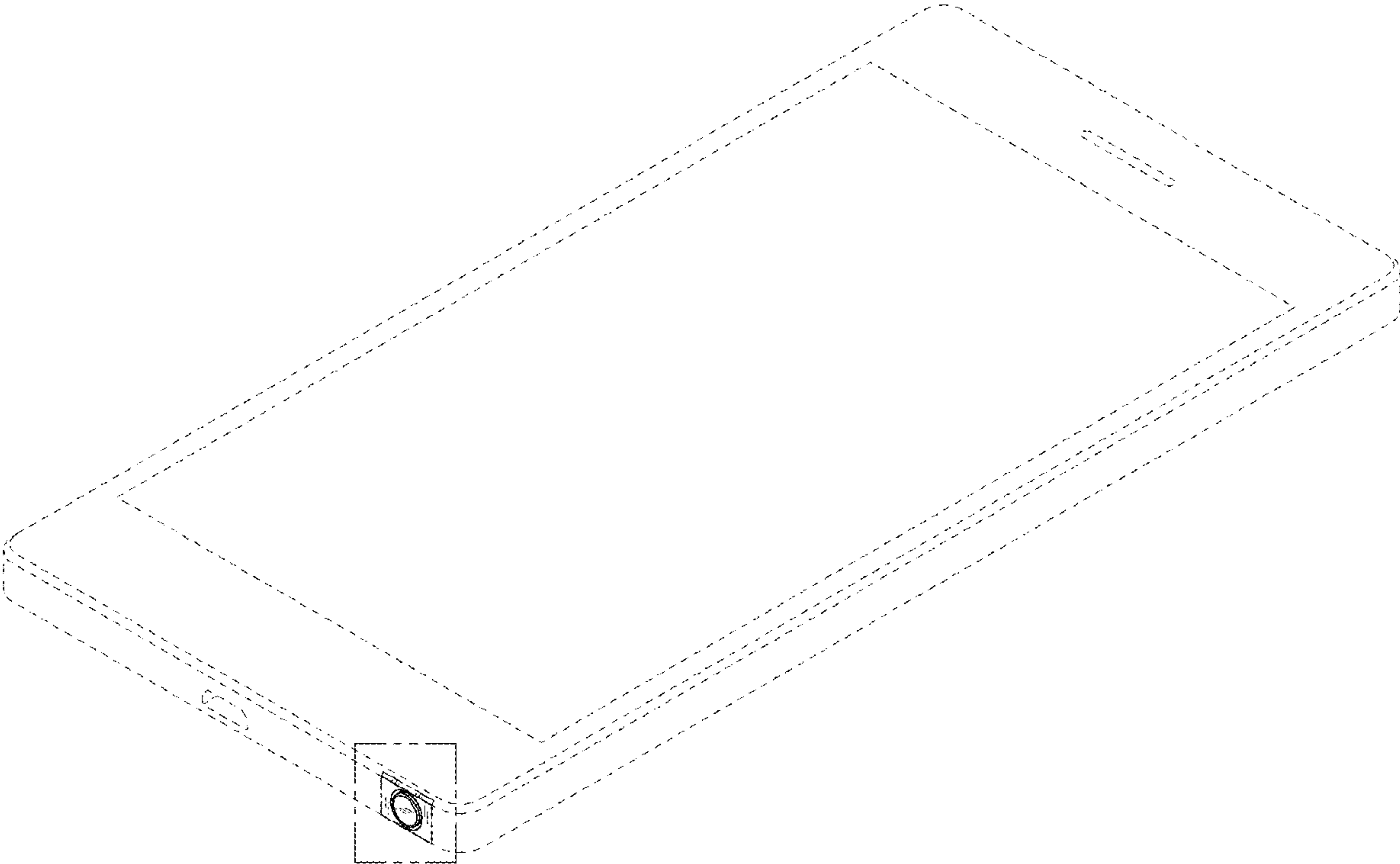


FIG.2



FIG.3

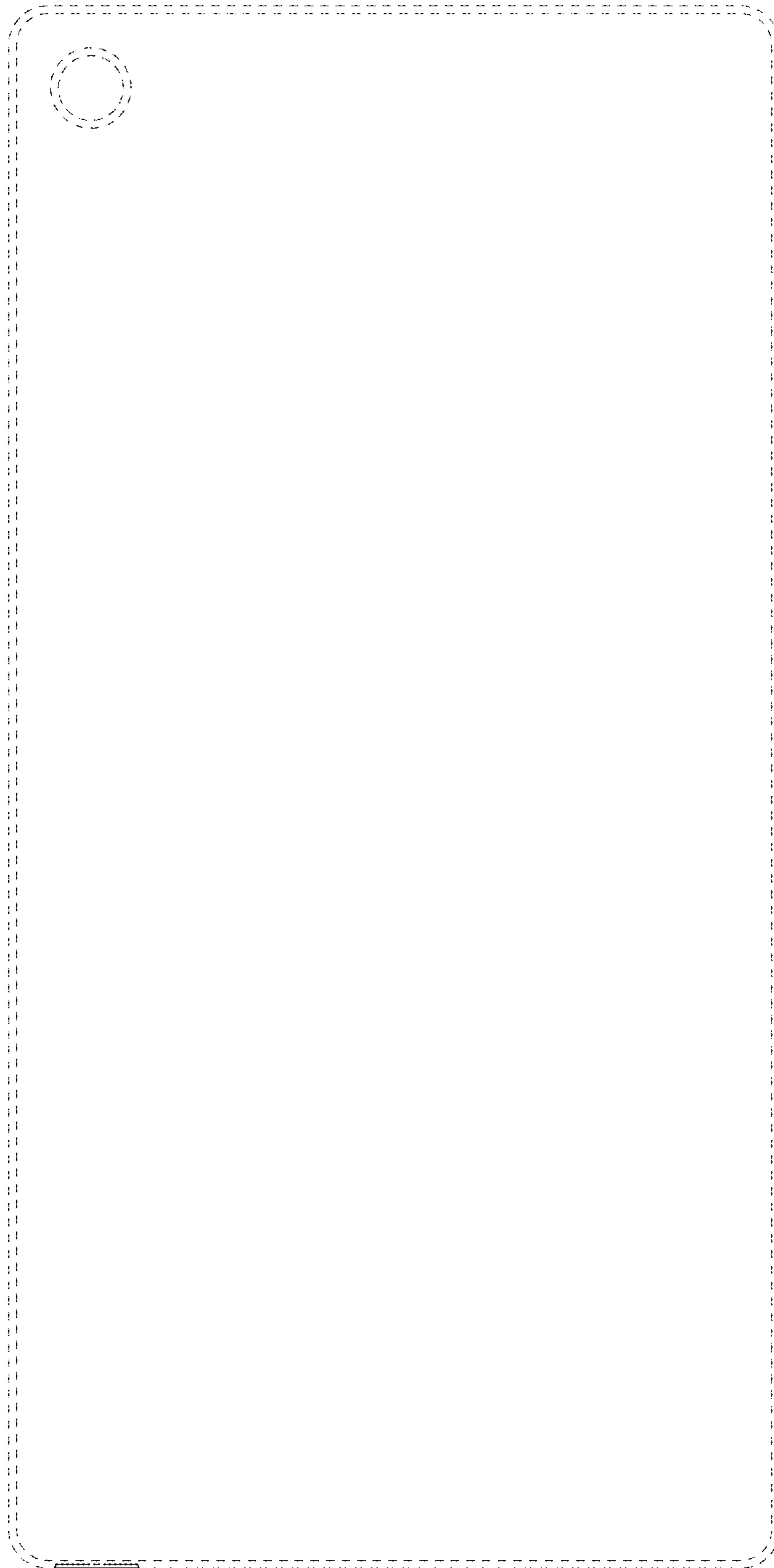


FIG.4

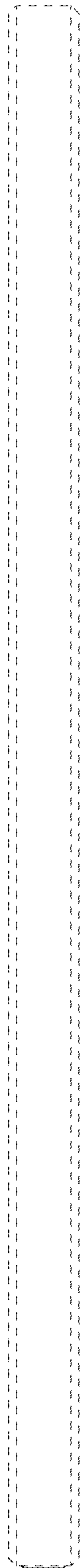


FIG.5

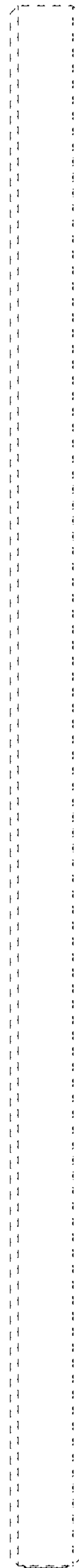


FIG.6

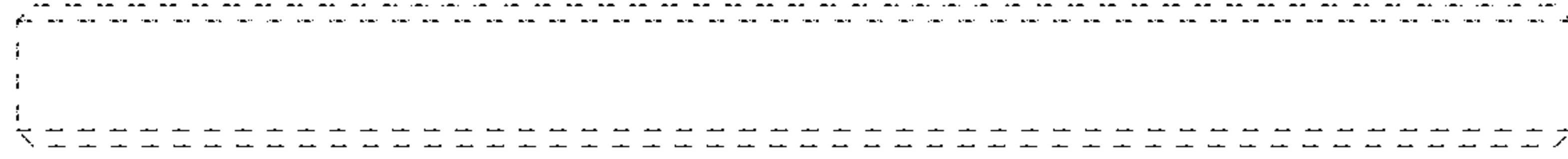


FIG.7

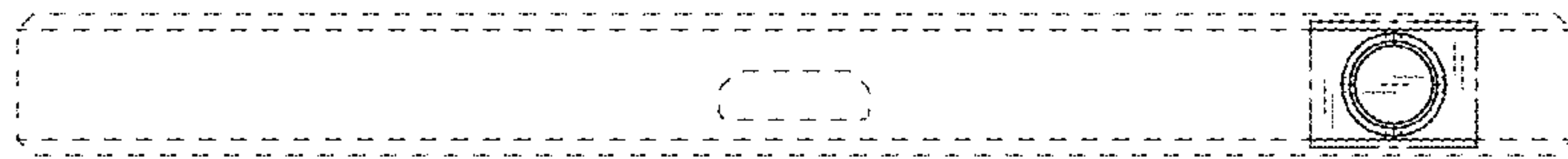


FIG.8

