



US00D901489S

(12) **United States Design Patent**
Seo et al.

(10) **Patent No.:** **US D901,489 S**
(45) **Date of Patent:** **** Nov. 10, 2020**

(54) **ELECTRONIC DEVICE**

(71) Applicant: **SAMSUNG ELECTRONICS CO., LTD.**, Suwon-si (KR)

(72) Inventors: **Jooho Seo**, Seoul (KR); **Donghun Kim**, Seoul (KR); **Chungha Kim**, Seoul (KR); **Hangil Song**, Seoul (KR); **Minhyouk Lee**, Seoul (KR)

(73) Assignee: **SAMSUNG ELECTRONICS CO., LTD.**, Gyeonggi-Do (KR)

(**) Term: **15 Years**

(21) Appl. No.: **29/635,660**

(22) Filed: **Feb. 1, 2018**

(30) **Foreign Application Priority Data**

Sep. 27, 2017 (KR) 30-2017-0045488

(51) **LOC (12) Cl.** **14-02**

(52) **U.S. Cl.**
USPC **D14/341**

(58) **Field of Classification Search**
USPC D14/315–318, 341–347, 420, 426, 240, D14/129–130, 496, 137, 138 R, 138 AA,
(Continued)

(56) **References Cited**

U.S. PATENT DOCUMENTS

D282,663 S * 2/1986 Scheid D14/346
D609,672 S * 2/2010 Lee D14/138 AA
(Continued)

FOREIGN PATENT DOCUMENTS

EM 002608778-0001 1/2015
WO D099461-001 * 9/2019

OTHER PUBLICATIONS

iPhone 7 Plus (Black) Real Carbon Fiber Phone Case, announced Mar. 29, 2017 [online], [retrieved Dec. 22, 2019]. Available from Internet, URL: <<https://www.amazon.com/iPhone-Black-Carbon-Fiber-Phone/dp/B06XX717C4?th=1&psc=1>> (Year: 2017).*

(Continued)

Primary Examiner — Dana K Weiland
(74) *Attorney, Agent, or Firm* — Cantor Colburn LLP

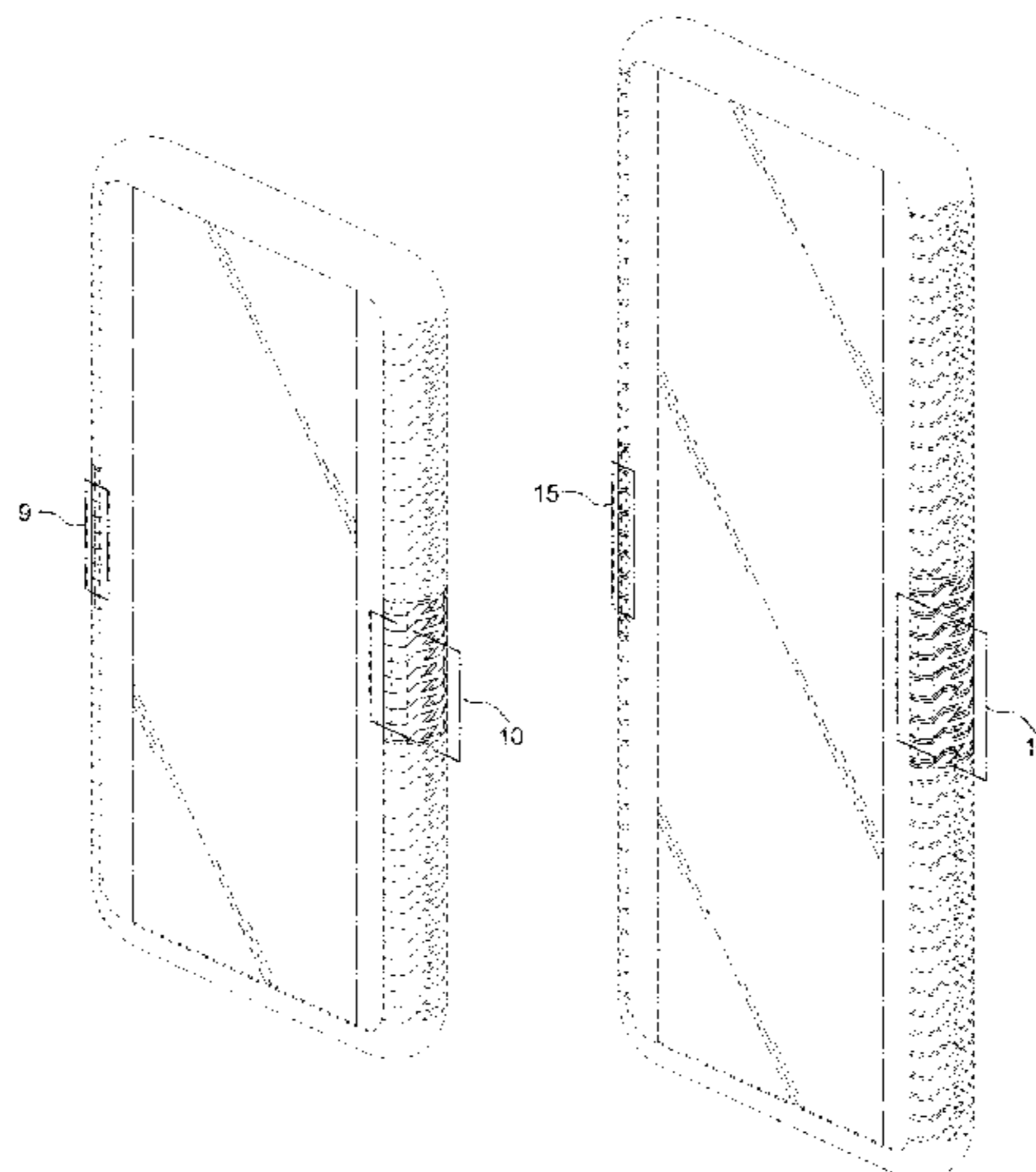
(57) **CLAIM**

The ornamental design for an electronic device, as shown and described.

DESCRIPTION

FIG. 1 is a front perspective view of an electronic device, showing our new design;
FIG. 2 is a front view thereof;
FIG. 3 is a rear view thereof;
FIG. 4 is a left-side view thereof;
FIG. 5 is a right-side view thereof;
FIG. 6 is a top view thereof;
FIG. 7 is a bottom view thereof;
FIG. 8 is a rear perspective view thereof;
FIG. 9 is an enlarged view of the portion 9 in FIG. 1;
FIG. 10 is an enlarged view of the portion 10 in FIG. 1;
FIG. 11 is an enlarged view of the portion 11 in FIG. 3;
FIG. 12 is an enlarged view of the portion 12 in FIG. 8;
FIG. 13 is another front perspective view of the electronic device in which the display screen is extended.
FIG. 14 is a rear perspective view of the electronic device in which the display screen is extended.
FIG. 15 is an enlarged view of the portion 15 in FIG. 13;
FIG. 16 is an enlarged view of the portion 16 in FIG. 13; and,
FIG. 17 is an enlarged view of the portion 17 in FIG. 14.
The broken lines illustrating portions of the electronic device form no part of the claimed design. The dot-dash broken lines in the figures represent a boundary line and form no part of the claimed design. The dot-dot-dash broken lines surrounding portions of the claimed design that are illustrated in enlargements form no part of the claimed design.

1 Claim, 15 Drawing Sheets



(58) **Field of Classification Search**

USPC D14/138 AB, 138 AC, 136 AD, 138 C,
 D14/138 G, 147, 203.1–203.8, 218, 247,
 D14/250, 371, 248, 388–389, 374, 440;
 D6/308, 310; D10/104.1, 50, 65;
 D18/6–7; D19/26, 59, 60; D21/324,
 D21/329, 330, 332
 CPC G06F 3/044; G06F 1/1613; G06F 1/1626;
 G06F 2200/1633; G06F 3/0488; G06F
 3/04886; G06F 3/0412; G06F 3/0416;
 H04B 1/3833

See application file for complete search history.

(56) **References Cited**

U.S. PATENT DOCUMENTS

D630,179 S * 1/2011 Park D14/138 AA
 D639,263 S * 6/2011 Lee D14/138 AA
 7,989,085 B2 * 8/2011 Li H04M 1/0283
 174/50
 D659,131 S * 5/2012 Mori D14/248
 D662,907 S * 7/2012 Sim D14/138 G
 D669,457 S 10/2012 Li
 D690,676 S * 10/2013 Daniel D14/138 AD
 D704,685 S * 5/2014 Yeh D14/248
 D710,814 S * 8/2014 Im D14/138 G
 D718,759 S * 12/2014 Barfoot D14/250
 D737,263 S * 8/2015 Armstrong D14/250
 D741,310 S * 10/2015 Bertrand D14/250
 D746,270 S * 12/2015 Lee D14/240

D762,202 S * 7/2016 Tseng D14/250
 D778,271 S 2/2017 Stump et al.
 D779,482 S * 2/2017 Kim D14/341
 D787,497 S * 5/2017 Friedland D14/250
 D791,753 S * 7/2017 Bae D14/248
 D798,256 S * 9/2017 Choo D14/138 AA
 D807,350 S * 1/2018 Inagaki D14/344
 D812,600 S * 3/2018 Altaras D14/250
 D825,518 S * 8/2018 Kikuchi D14/138 AB
 D828,321 S * 9/2018 Yeom D14/138 AB
 D831,636 S * 10/2018 Zhu D14/250
 D850,453 S * 6/2019 Wu D14/440
 D851,413 S * 6/2019 Klobuchar D5/54
 D860,153 S * 9/2019 Gillott D14/138 G
 D868,765 S * 12/2019 Batta D14/250
 2013/0216740 A1 * 8/2013 Russell-Clarke B65D 85/00
 428/33
 2013/0307816 A1 * 11/2013 Lee G06F 1/1652
 345/174
 2018/0011515 A1 * 1/2018 Yoo G06F 1/1656
 2018/0039408 A1 * 2/2018 Cheong G06F 3/0488
 2019/0073002 A1 * 3/2019 Wu G06F 1/1626

OTHER PUBLICATIONS

PITAKA Magnetic Phone Case for iPhone 11 Pro, announced Sep. 19, 2019 [online], [retrieved Dec. 22, 2019]. Available from Internet, URL: <https://www.amazon.com/PITAKA-Compatible-Minimalist-Material-Strongest/dp/B07X7DBBX9/ref=sr_1_6?keywords=PITAKA+Slim+Case&qid=1577069569&s=electronics&sr=1-6> (Year: 2019).*

* cited by examiner

FIG.1

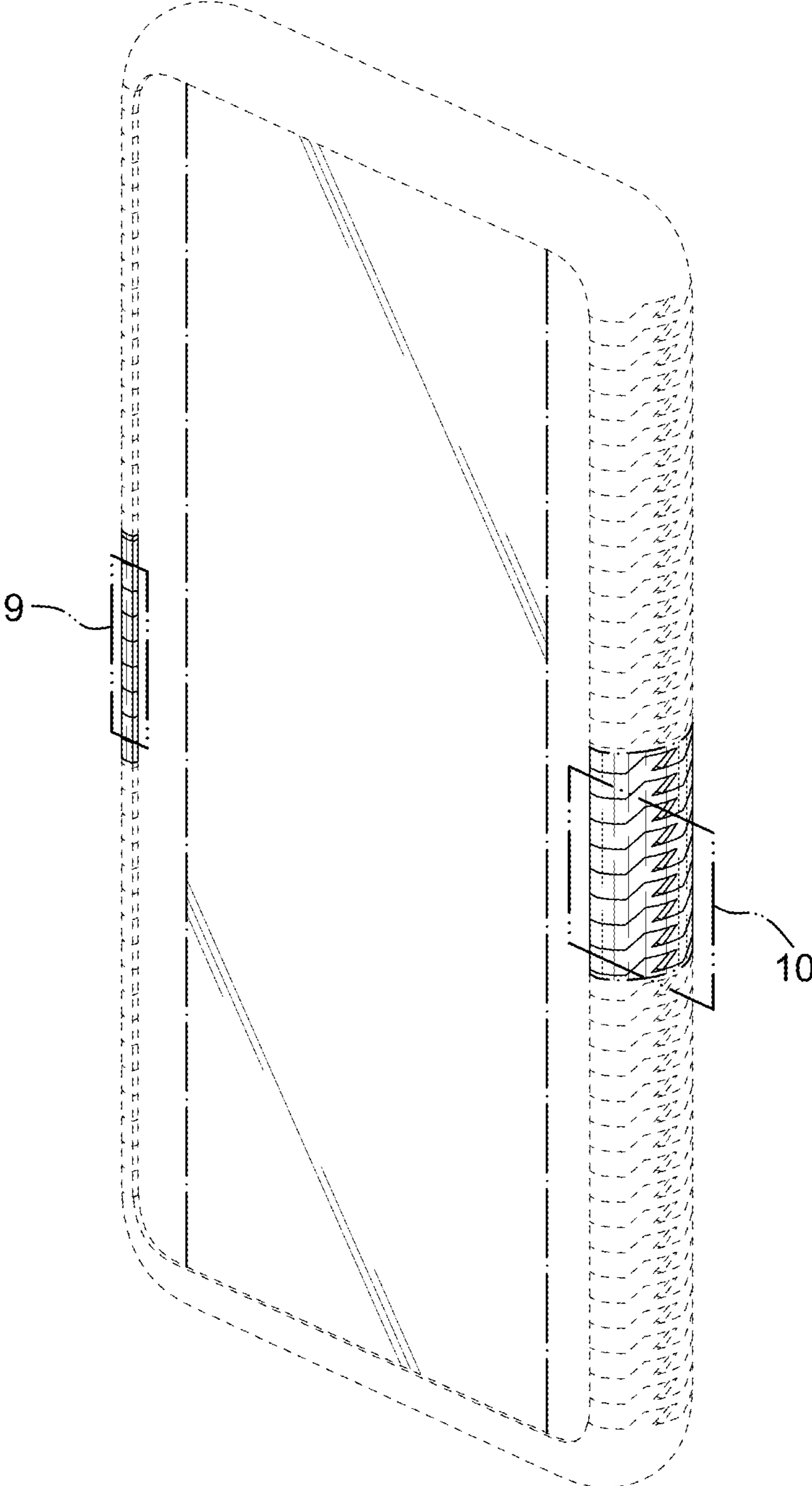


FIG.2

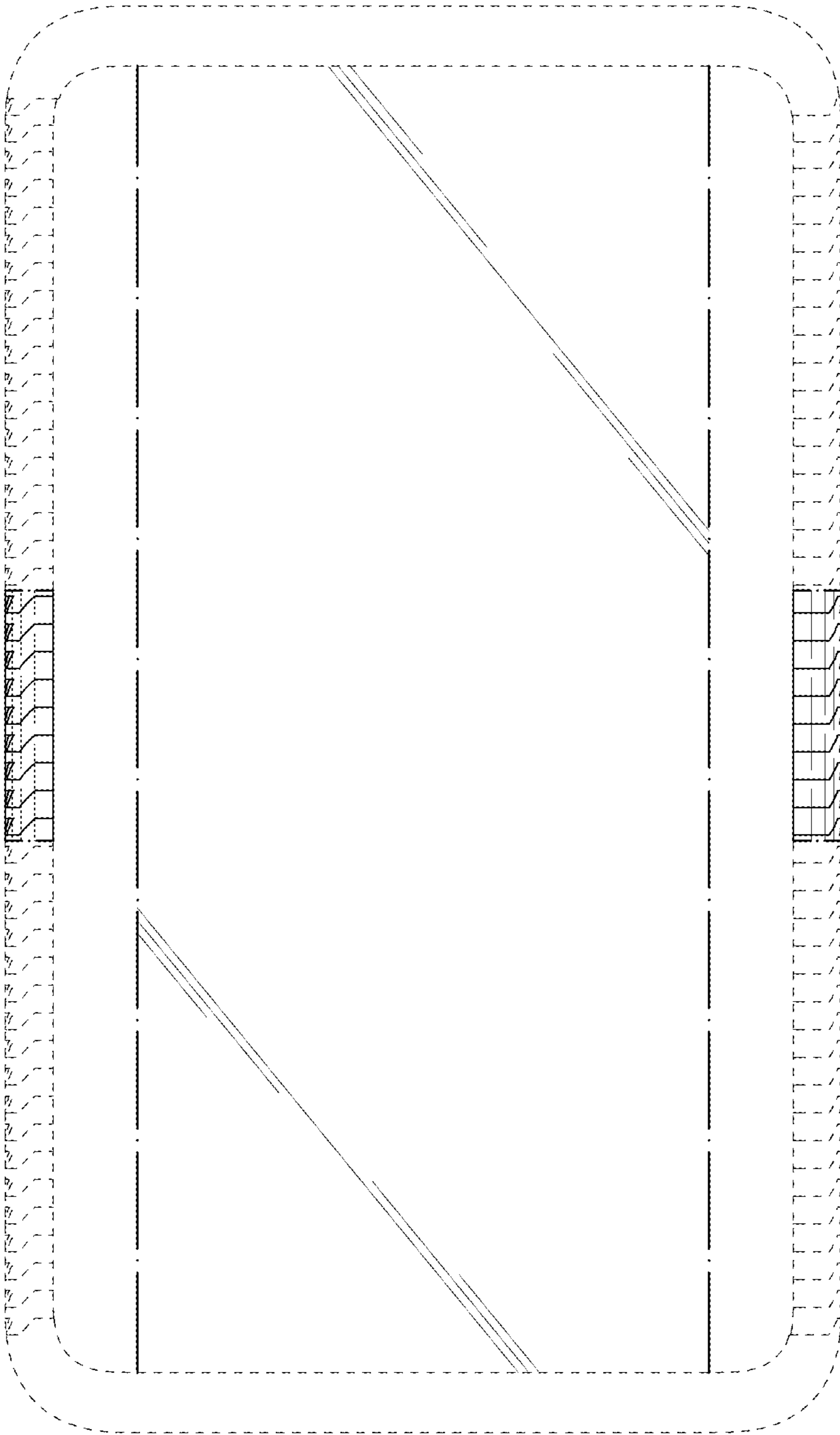


FIG.3

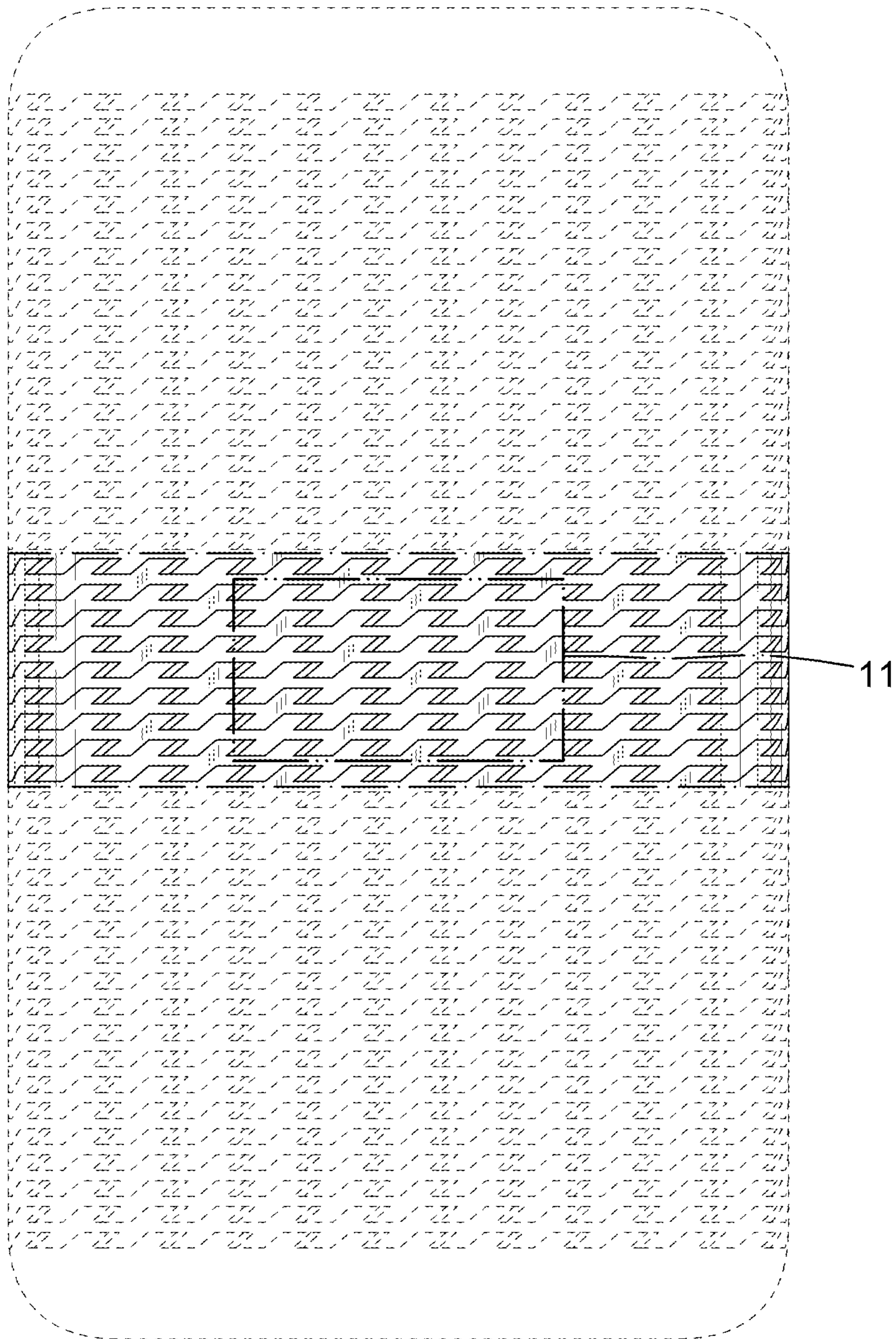


FIG.4

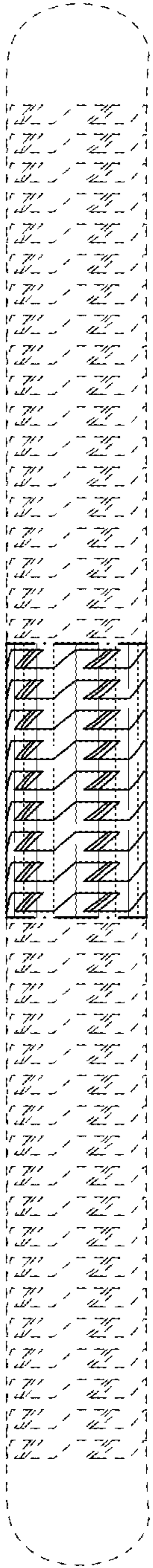


FIG.5

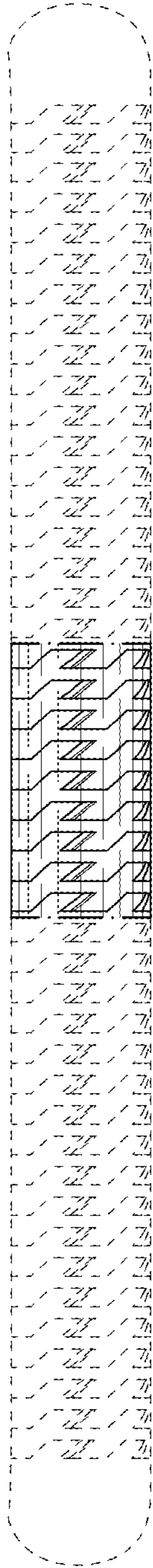


FIG.6



FIG.7



FIG.8

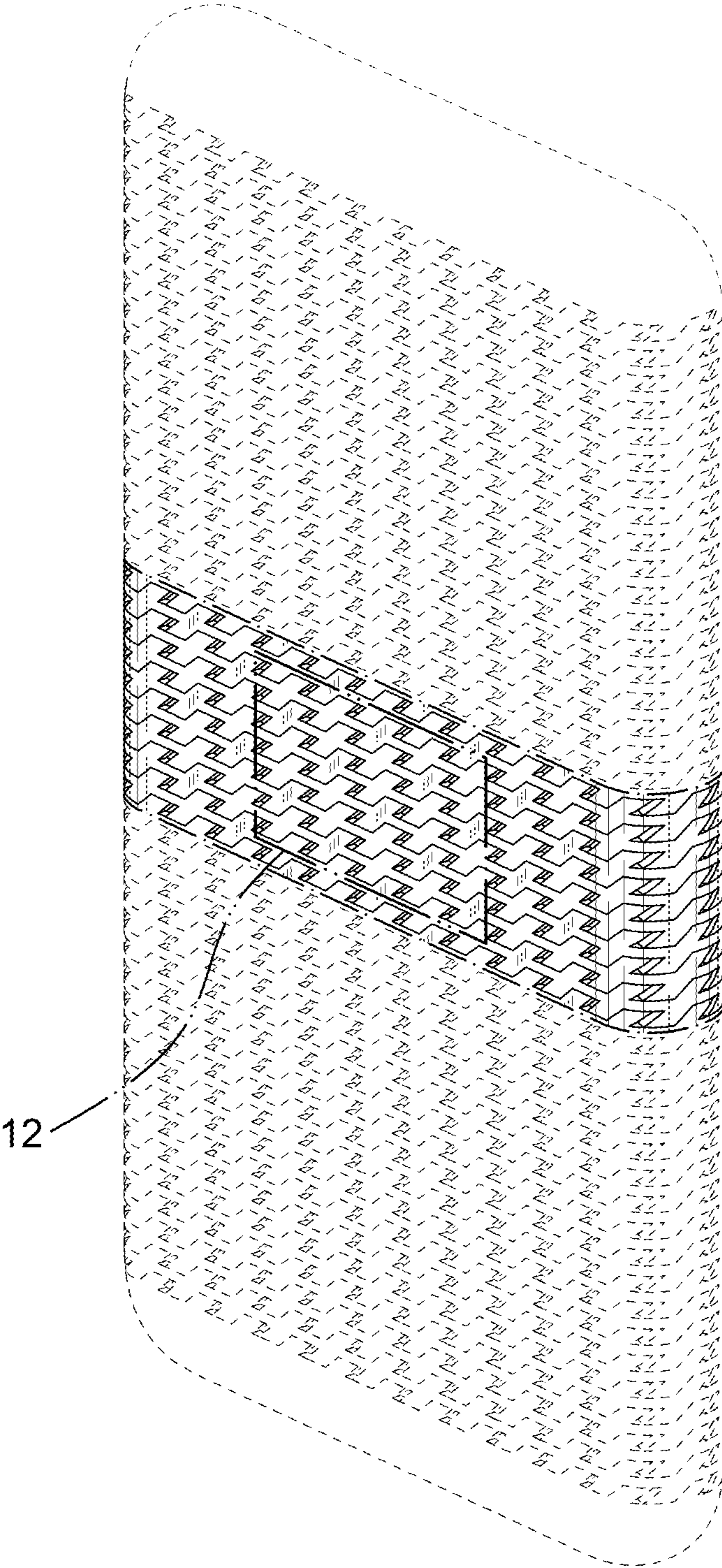


FIG.9

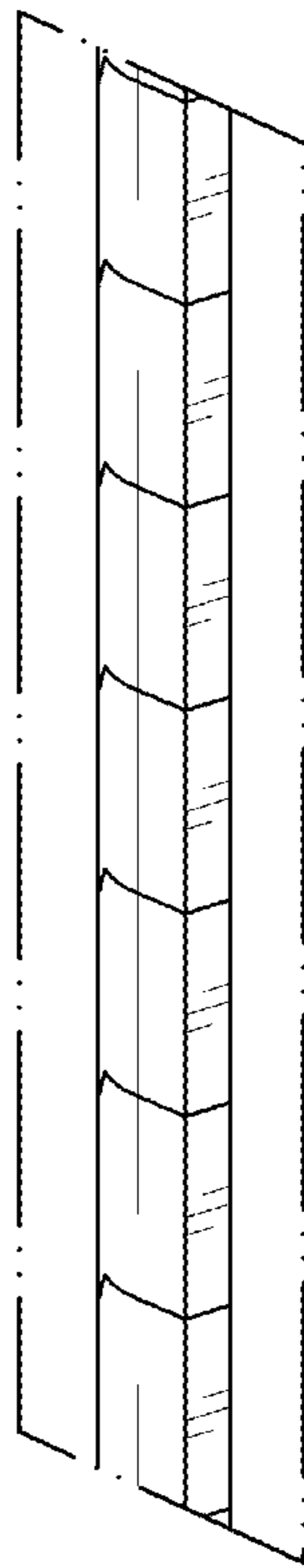


FIG.10

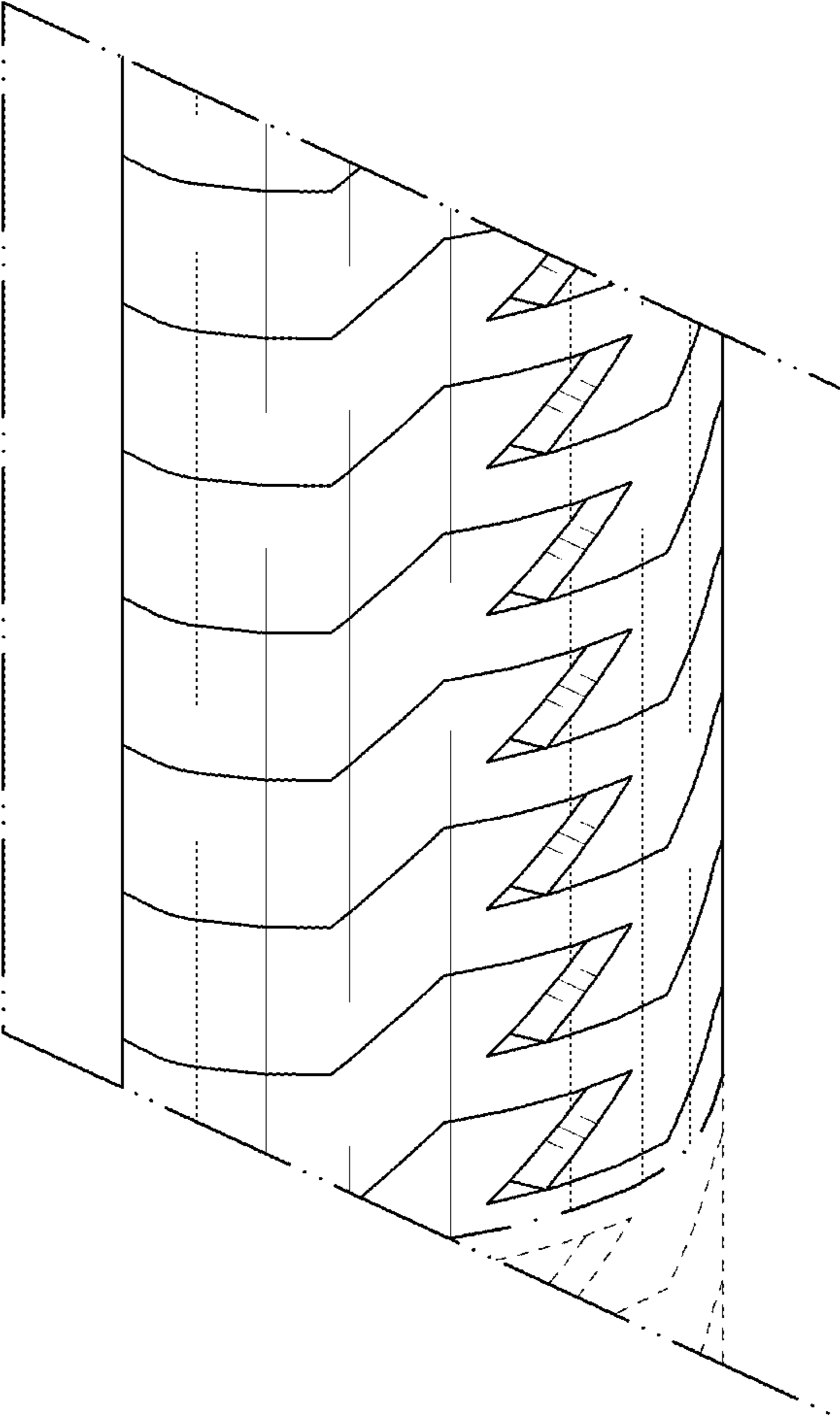


FIG.11

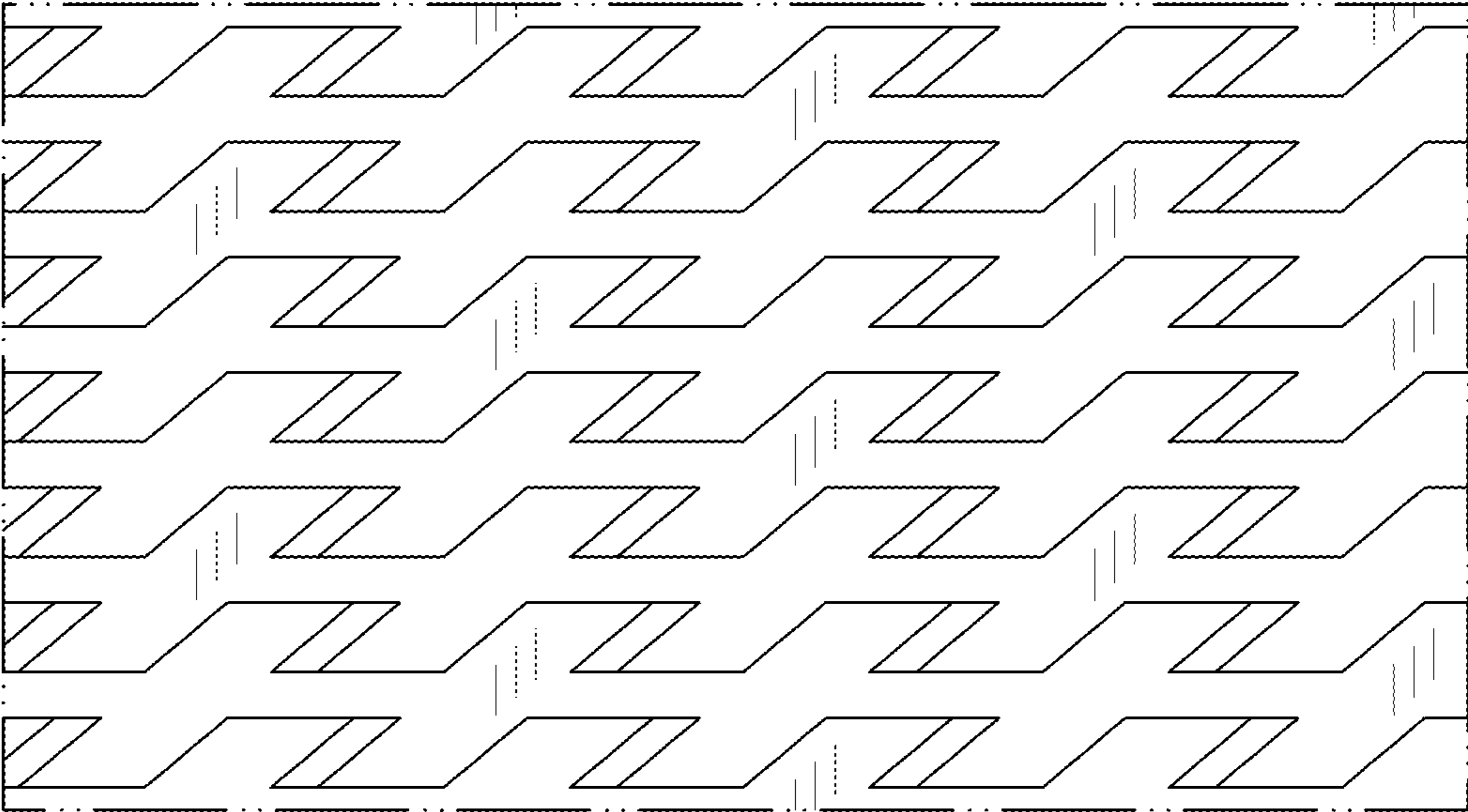


FIG.12

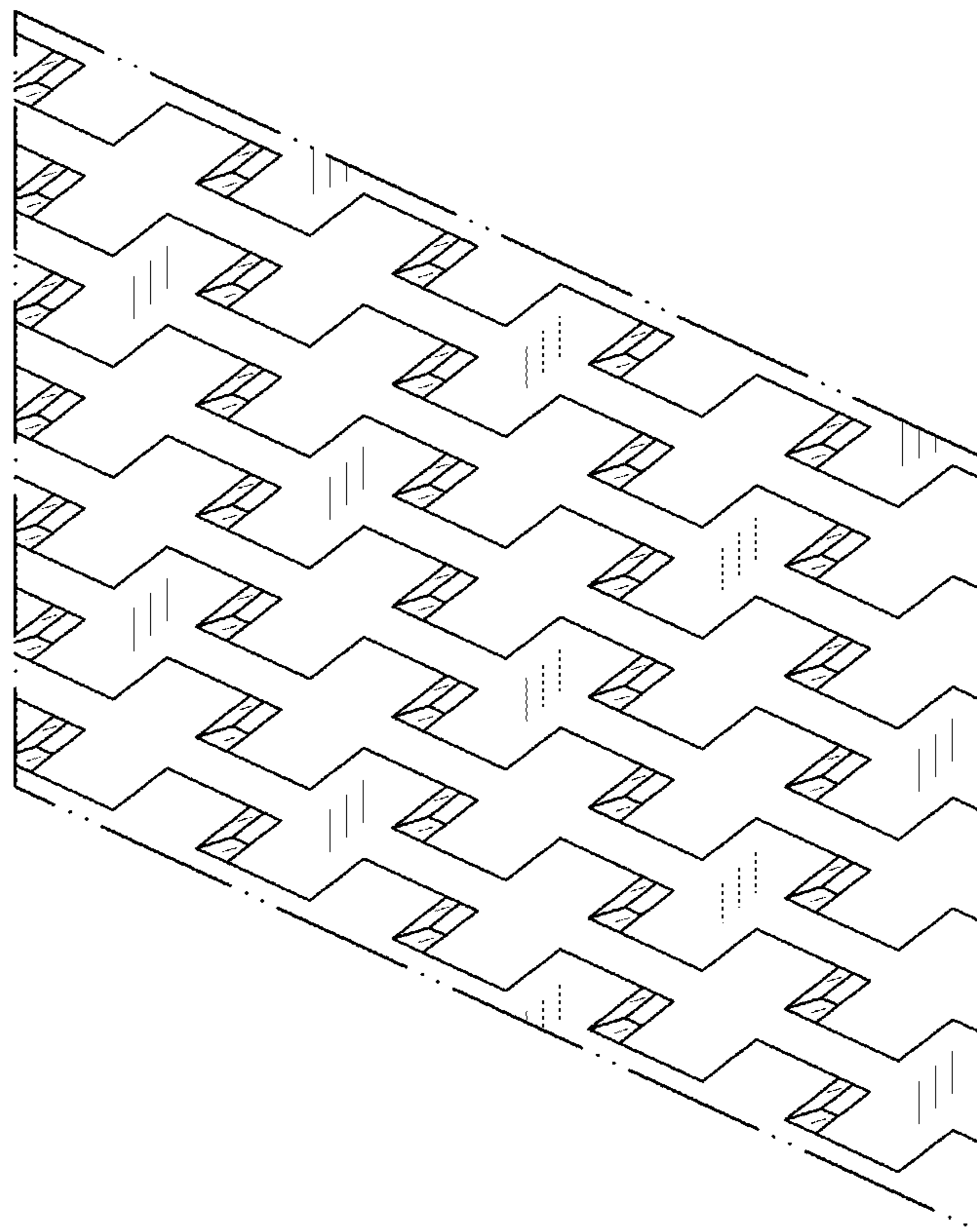


FIG.13

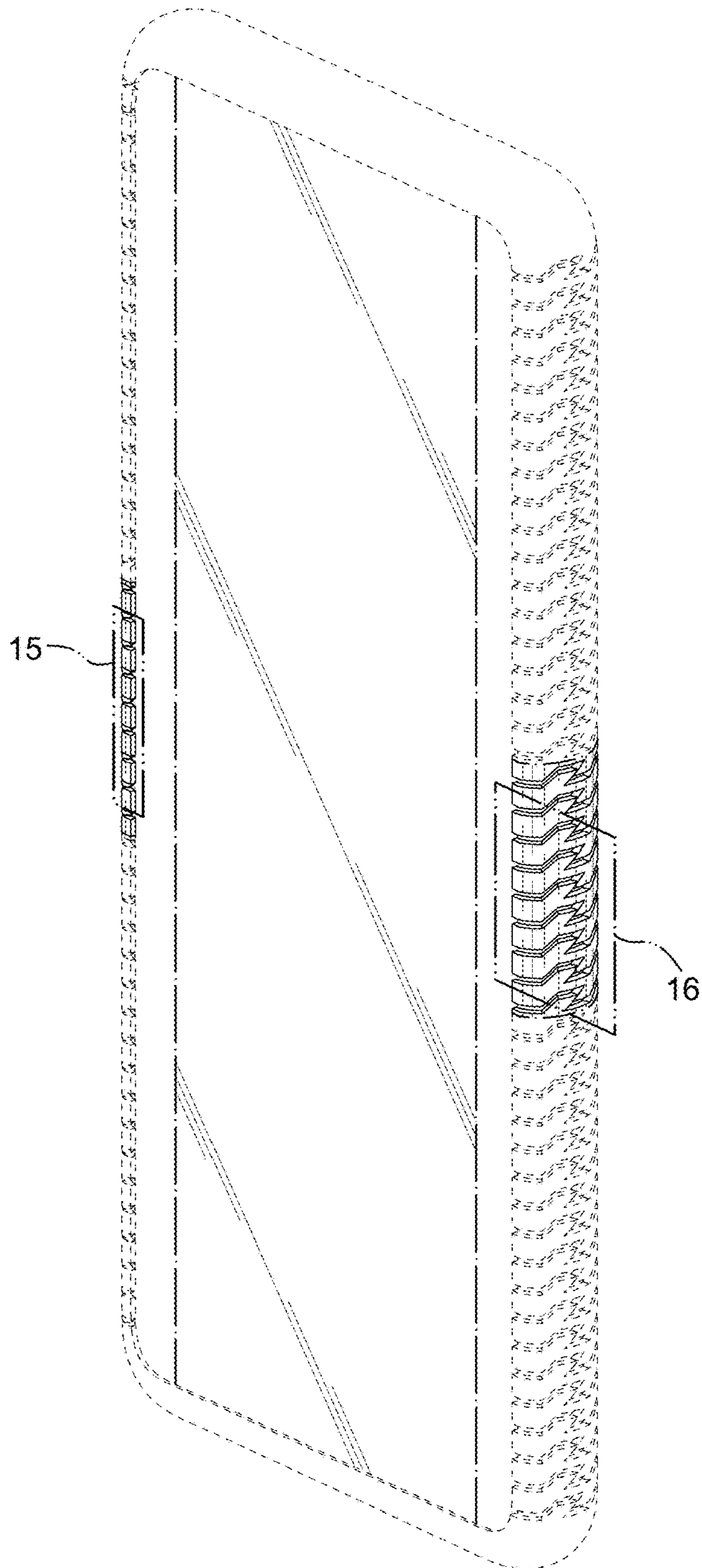


FIG. 14

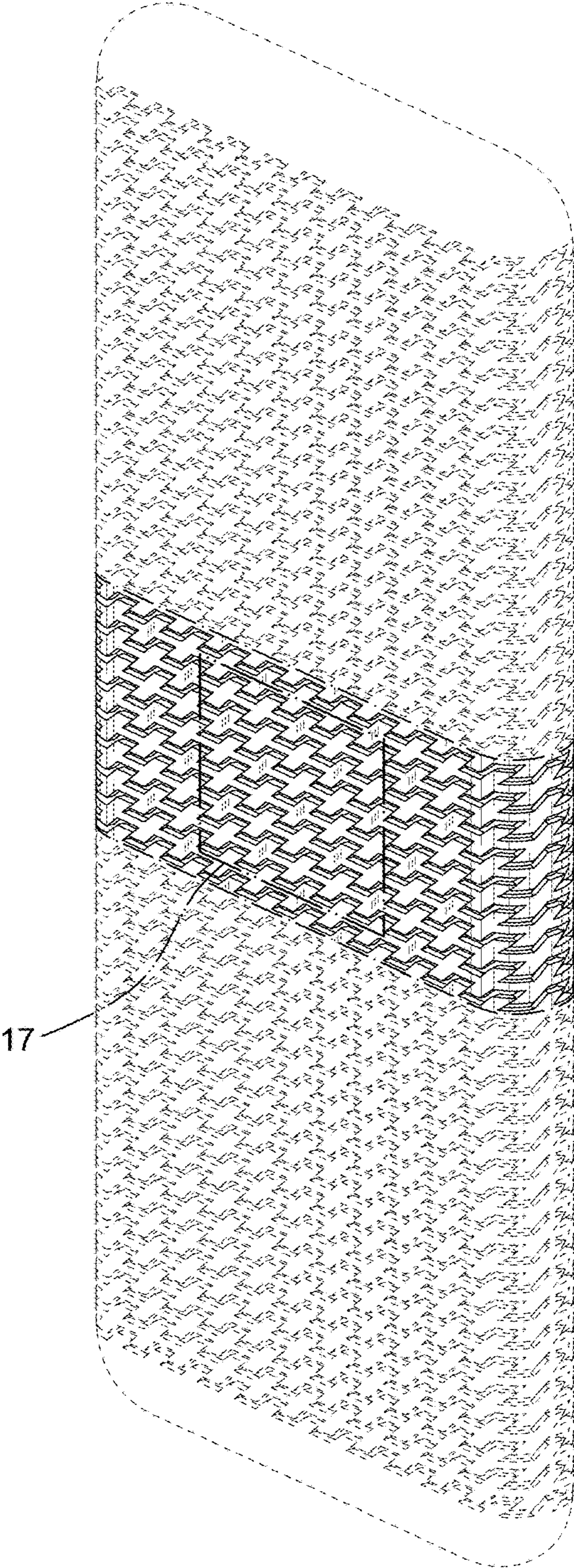


FIG.15

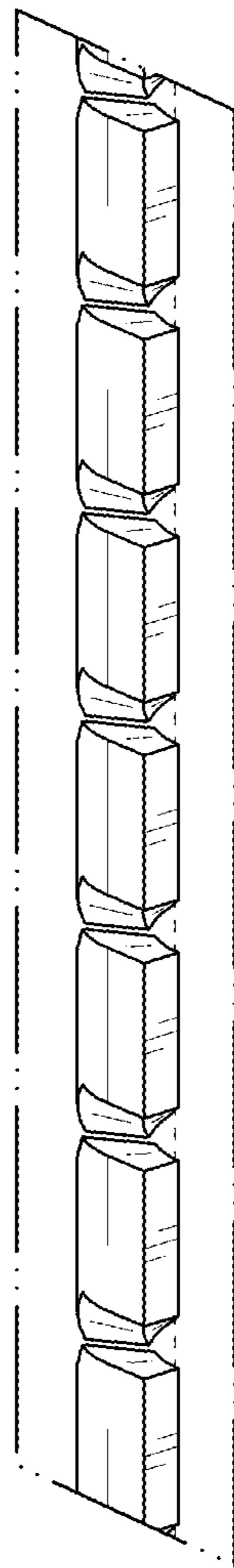


FIG.16

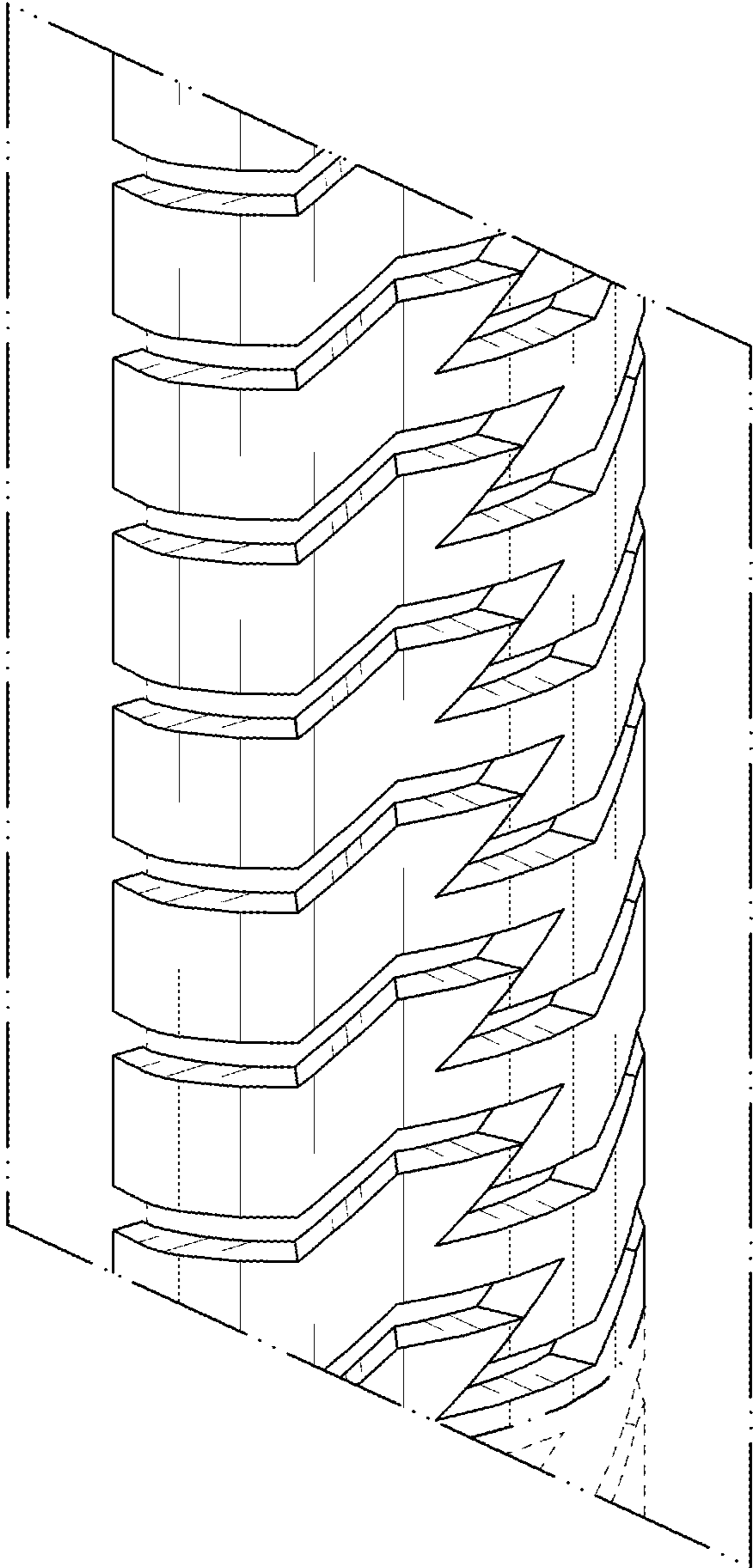


FIG.17

