

US00D901486S

(12) **United States Design Patent** (10) **Patent No.:** **US D901,486 S**  
**Moon et al.** (45) **Date of Patent:** **\*\* Nov. 10, 2020**

(54) **TABLET**

(71) Applicant: **Hewlett-Packard Development Company, L.P.**, Houston, TX (US)

(72) Inventors: **Philip Moon**, Houston, TX (US); **Ilchan Lee**, Houston, TX (US); **Kevin L. Massaro**, Houston, TX (US)

(73) Assignee: **Hewlett-Packard Development Company, L.P.**, Spring, TX (US)

(\*\*) Term: **15 Years**

(21) Appl. No.: **29/632,258**

(22) Filed: **Jan. 5, 2018**

(51) **LOC (12) Cl.** ..... **14-02**

(52) **U.S. Cl.**  
USPC ..... **D14/341**

(58) **Field of Classification Search**  
USPC ..... D14/315–318, 341–347, 420, 426, 240, D14/129–130, 496, 137, 138 R, 138 AA,  
(Continued)

(56) **References Cited**

U.S. PATENT DOCUMENTS

D555,117 S \* 11/2007 Tanaka ..... D14/126  
D601,560 S \* 10/2009 Matsumoto ..... D14/346  
(Continued)

FOREIGN PATENT DOCUMENTS

EM 001274583-0001 \* 5/2011  
EM 001935511-0001 \* 11/2011  
EM 001382444-0007 \* 10/2013

OTHER PUBLICATIONS

HP Pro Slate 8 pictures, announced 2015 [online], [retrieved Feb. 2, 2020]. Available from Internet, URL: <[https://www.gsmarena.com/hp\\_pro\\_slate\\_8-pictures-6962.php](https://www.gsmarena.com/hp_pro_slate_8-pictures-6962.php)> (Year: 2015).\*

(Continued)

Primary Examiner — Dana K Weiland

(74) Attorney, Agent, or Firm — HPI Patent Department

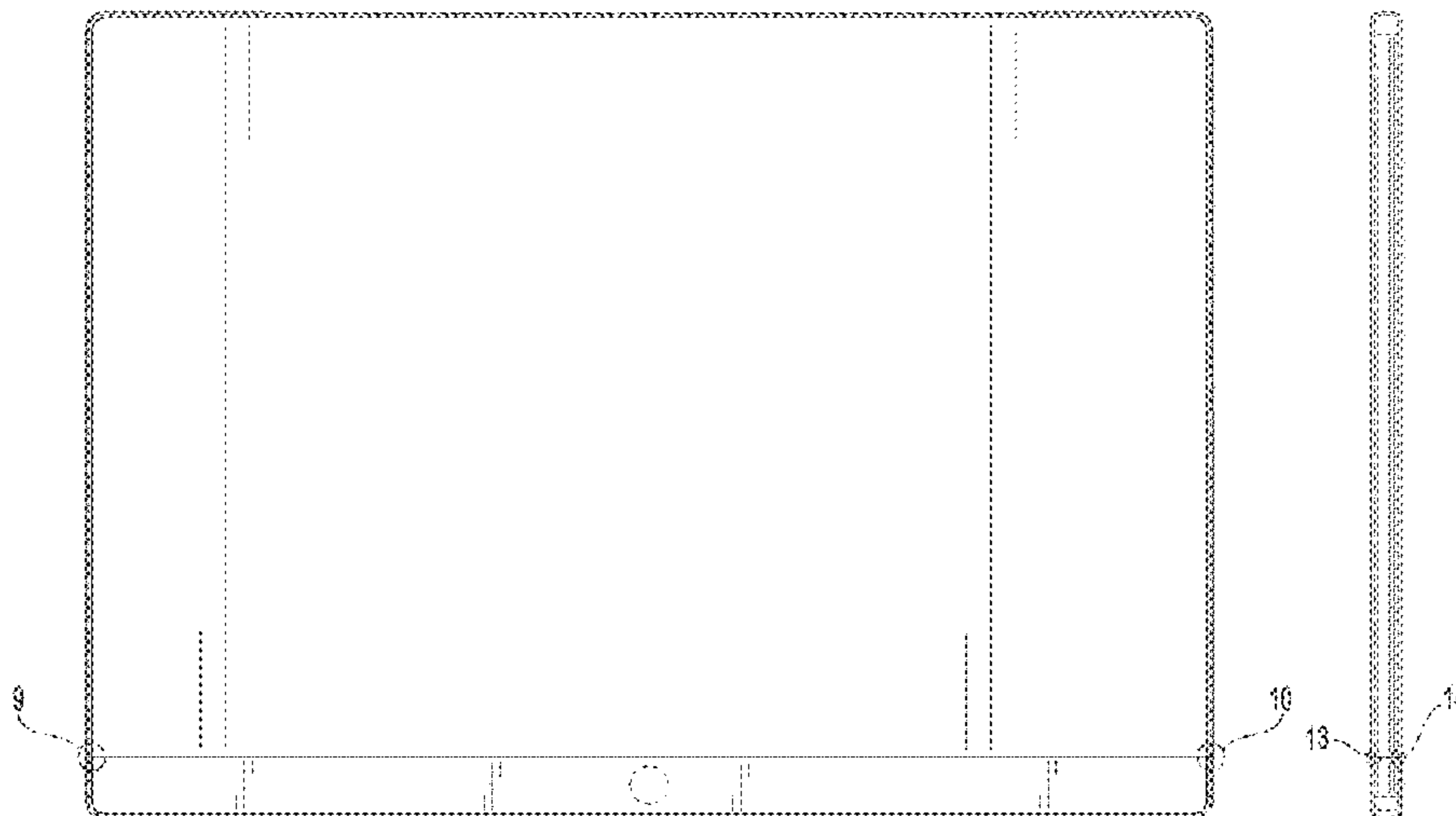
(57) **CLAIM**

The ornamental design for a tablet, as shown and described.

**DESCRIPTION**

FIG. 1 is a front perspective view of a tablet in accordance with our new design;  
FIG. 2 is a front elevational view of the tablet shown in FIG. 1;  
FIG. 3 is a rear elevational view of the tablet shown in FIG. 1;  
FIG. 4 is a left-side elevational view of the tablet shown in FIG. 1;  
FIG. 5 is a right-side bottom plan view of the tablet shown in FIG. 1;  
FIG. 6 is a top plan view of the tablet shown in FIG. 1;  
FIG. 7 is a bottom plan view of the tablet shown in FIG. 1;  
FIG. 8 is an enlarged view of the portion of the tablet shown within the area designated as 8 in FIG. 1;  
FIG. 9 is an enlarged view of the portion of the tablet shown within the area designated as 9 in FIG. 2;  
FIG. 10 is an enlarged view of the portion of the tablet shown within the area designated as 10 in FIG. 2;  
FIG. 11 is an enlarged view of the portion of the tablet shown within the area designated as 11 in FIG. 3;  
FIG. 12 is an enlarged view of the portion of the tablet shown within the area designated as 12 in FIG. 3;  
FIG. 13 is an enlarged view of the portion of the tablet shown within the area designated as 13 in FIG. 4;  
FIG. 14 is an enlarged view of the portion of the tablet shown within the area designated as 14 in FIG. 4;  
FIG. 15 is an enlarged view of the portion of the tablet shown within the area designated as 15 in FIG. 5; and,  
FIG. 16 is an enlarged view of the portion of the tablet shown within the area designated as 16 in FIG. 5.  
The broken lines shown in the drawings depict portions of the tablet that form no part of the claimed design. The broken lines immediately adjacent the shaded area show the bounds of the claim and form no part of the claimed design.

**1 Claim, 10 Drawing Sheets**



(58) **Field of Classification Search**

USPC ..... D14/138 AB, 138 AC, 136 AD, 138 C,  
 D14/138 G, 147, 203.1–203.8, 218, 247,  
 D14/371, 248, 388–389, 374; D6/308,  
 D6/310; D10/104.1, 50, 65; D18/6–7;  
 D19/26, 59, 60; D21/324, 329, 330, 332  
 CPC ..... G06F 3/044; G06F 1/1613; G06F 1/1626;  
 G06F 2200/1633; G06F 3/0488; G06F  
 3/04886; G06F 3/0412; G06F 3/0416;  
 H04B 1/3833

See application file for complete search history.

(56) **References Cited**

U.S. PATENT DOCUMENTS

D613,627 S \* 4/2010 Wang ..... D10/50  
 D634,743 S \* 3/2011 Kang ..... D14/341  
 D638,396 S \* 5/2011 Finnegan ..... D14/203.3  
 D645,465 S \* 9/2011 Lin ..... D14/341  
 D656,935 S \* 4/2012 Jones ..... D14/341  
 D667,413 S \* 9/2012 Song ..... D14/448  
 D678,875 S \* 3/2013 Chen ..... D14/341  
 D684,970 S \* 6/2013 Zhang ..... D14/341  
 D698,781 S \* 2/2014 Jun ..... D14/341  
 D709,497 S \* 7/2014 Akutsu ..... D14/371  
 D711,371 S \* 8/2014 Chen ..... D14/341  
 D714,784 S \* 10/2014 Park ..... D14/341  
 D715,290 S \* 10/2014 Bryan ..... D14/341  
 D715,301 S \* 10/2014 Ashcraft ..... D14/439  
 D723,029 S \* 2/2015 Seoc ..... D14/336

D732,017 S \* 6/2015 Yun ..... D14/341  
 D732,020 S \* 6/2015 Seoc ..... D14/341  
 D736,205 S \* 8/2015 Park ..... D14/138 R  
 D737,270 S \* 8/2015 Young ..... D14/341  
 D738,875 S \* 9/2015 Seoc ..... D14/341  
 D744,484 S \* 12/2015 Huebner ..... D14/389  
 D749,070 S \* 2/2016 Oh ..... D14/341  
 D757,719 S \* 5/2016 Lai ..... D14/341  
 D766,198 S \* 9/2016 Yoo ..... D14/126  
 D781,848 S \* 3/2017 Kim ..... D14/341  
 9,662,860 B2 \* 5/2017 Wadsworth ..... B29C 66/861  
 D794,002 S \* 8/2017 Kim ..... D14/248  
 D799,476 S \* 10/2017 Sakatsume ..... D14/341  
 D807,348 S \* 1/2018 Wang ..... D14/341  
 D810,731 S \* 2/2018 Henderson ..... D14/341  
 D816,673 S \* 5/2018 Lim ..... D14/374  
 D826,889 S \* 8/2018 Seo ..... D14/138 AB  
 D844,012 S \* 3/2019 Leipold ..... G02B 1/14  
 D14/450  
 D848,968 S \* 5/2019 Kim ..... D14/126  
 D858,513 S \* 9/2019 Huh ..... D14/341  
 D860,218 S \* 9/2019 Akana ..... D14/448  
 D869,459 S \* 12/2019 Wan ..... D14/341  
 D873,817 S \* 1/2020 Raken ..... D14/341

OTHER PUBLICATIONS

Acer Iconia Tab A500 review:, announced Jul. 11, 2012 [online],  
 [retrieved Feb. 2, 2020]. Available from Internet, URL: <<https://www.cnet.com/reviews/acer-iconia-tab-a500-review/>> (Year: 2012).\*

\* cited by examiner

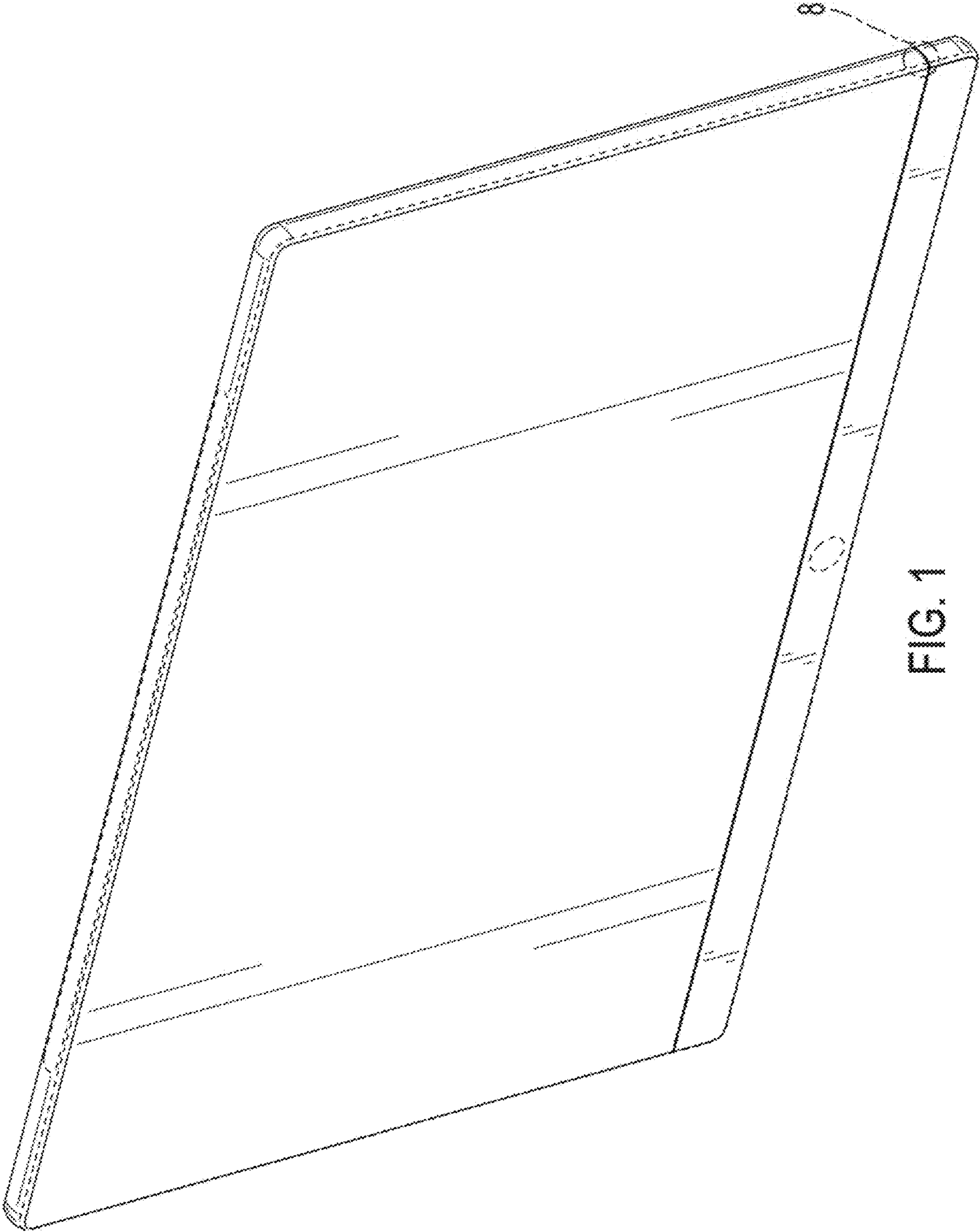


FIG. 1



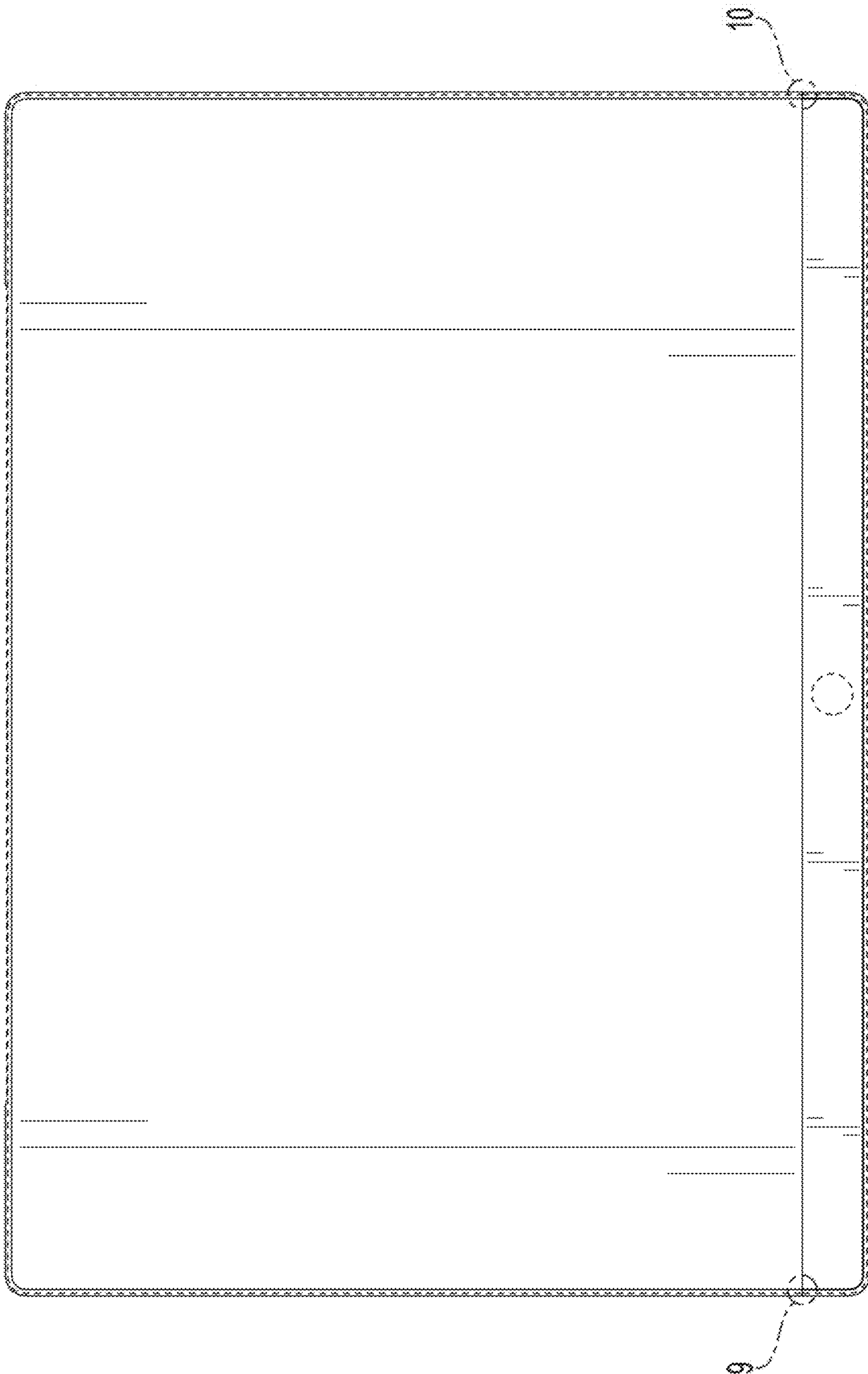


FIG. 2



FIG. 3

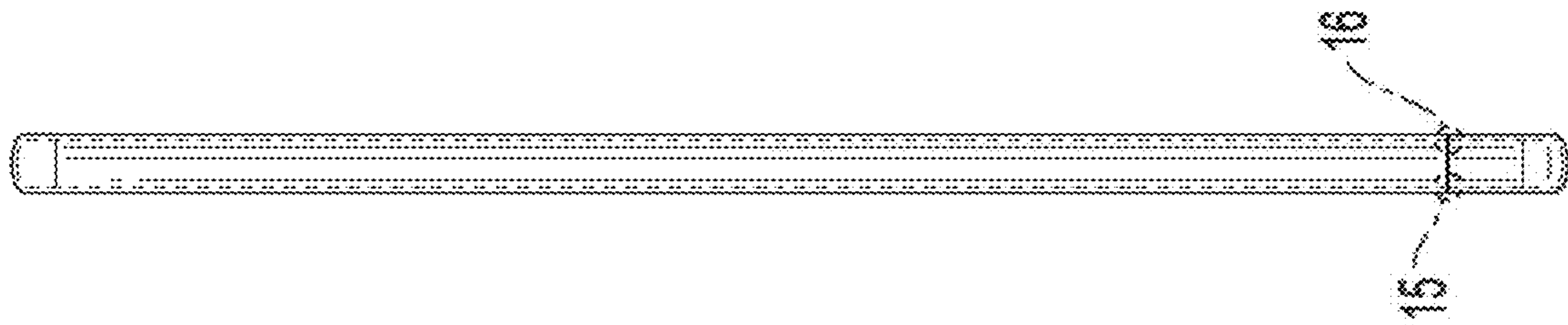


FIG. 5

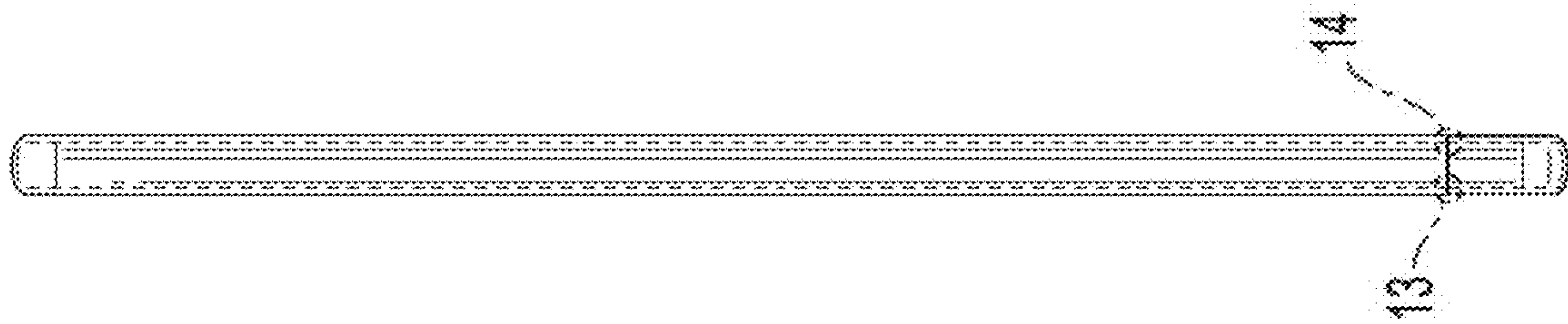


FIG. 4

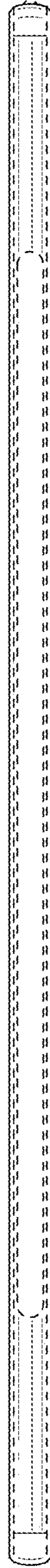


FIG. 6



FIG. 7

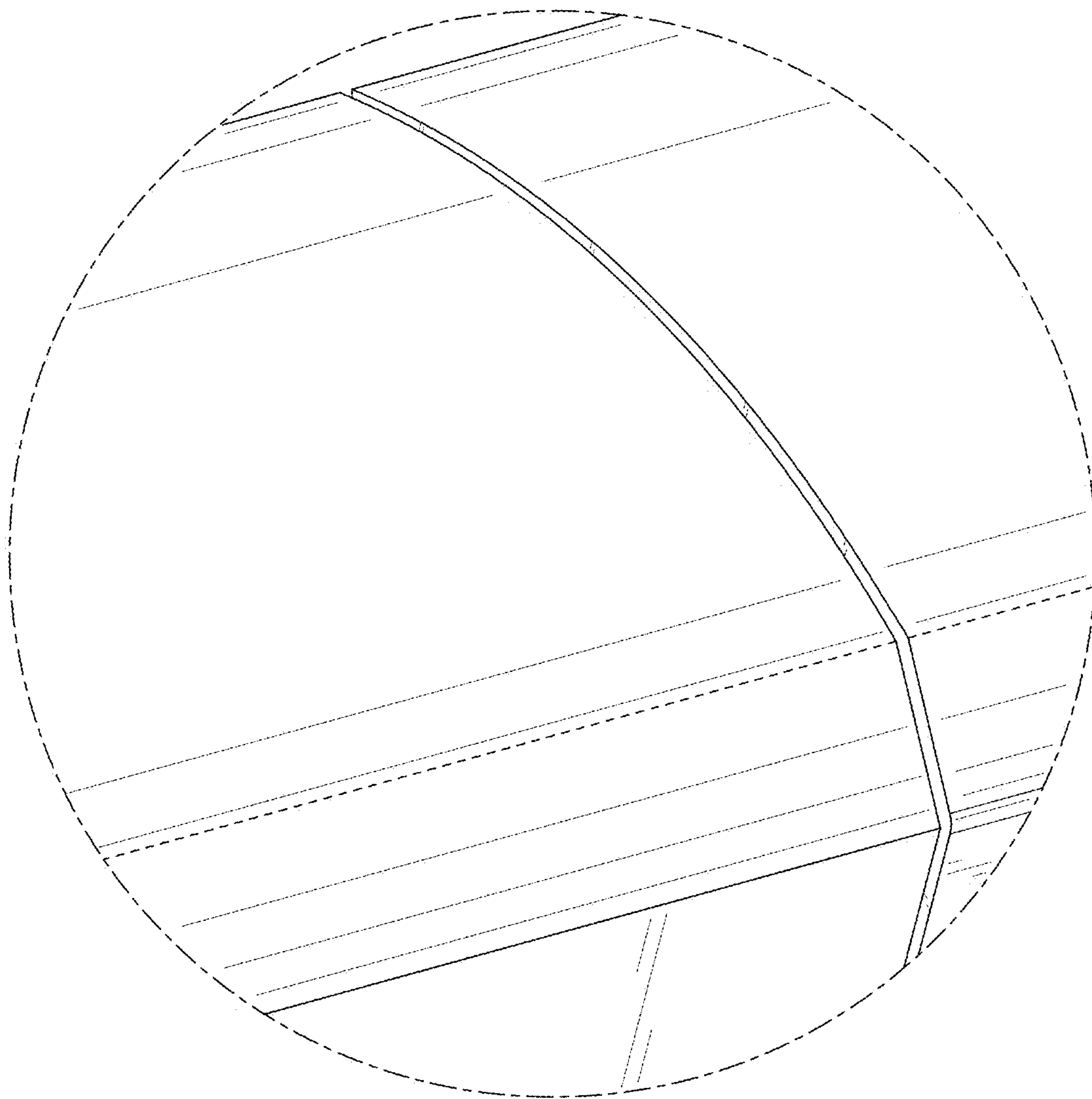


FIG. 8



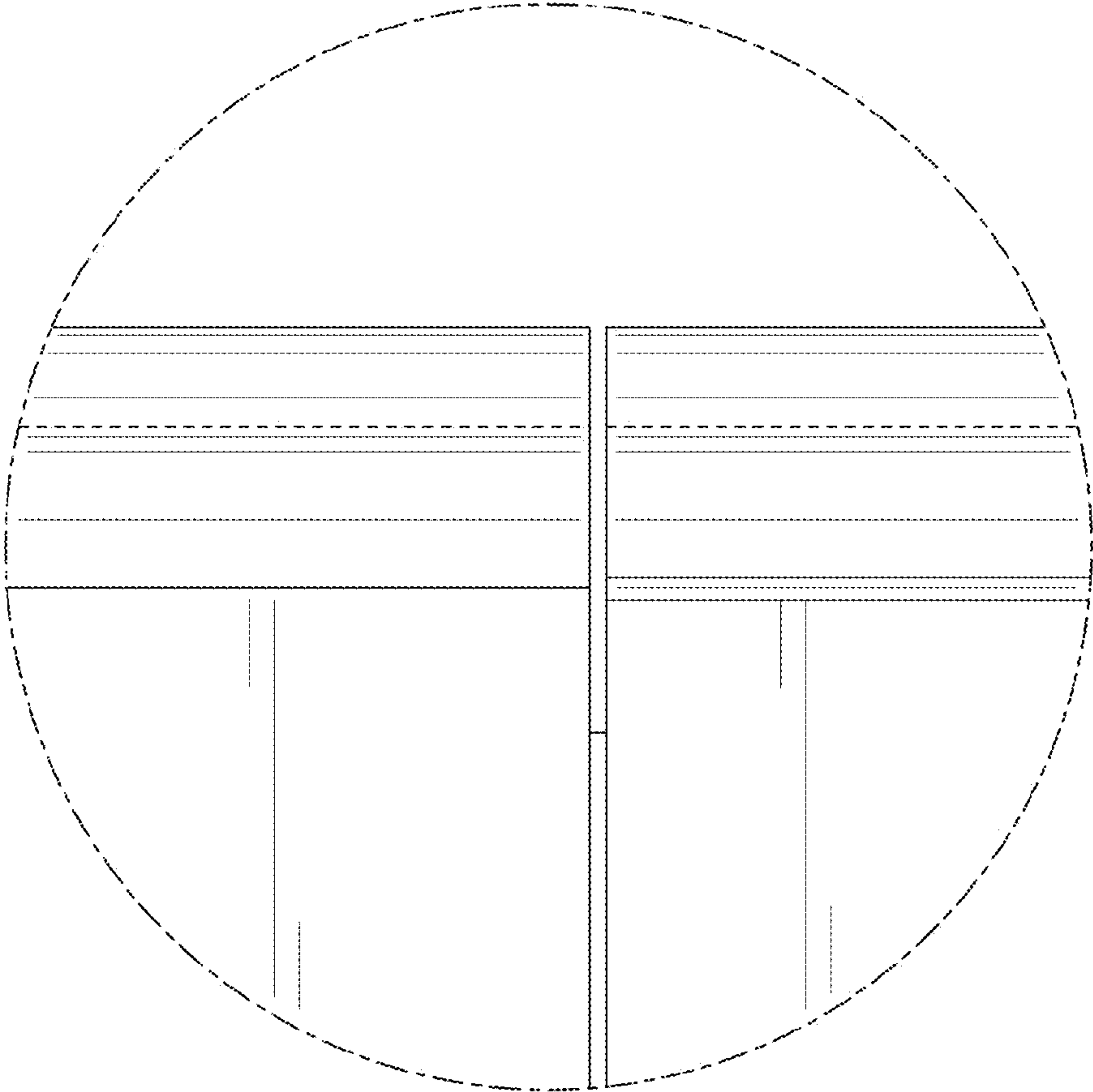


FIG. 10

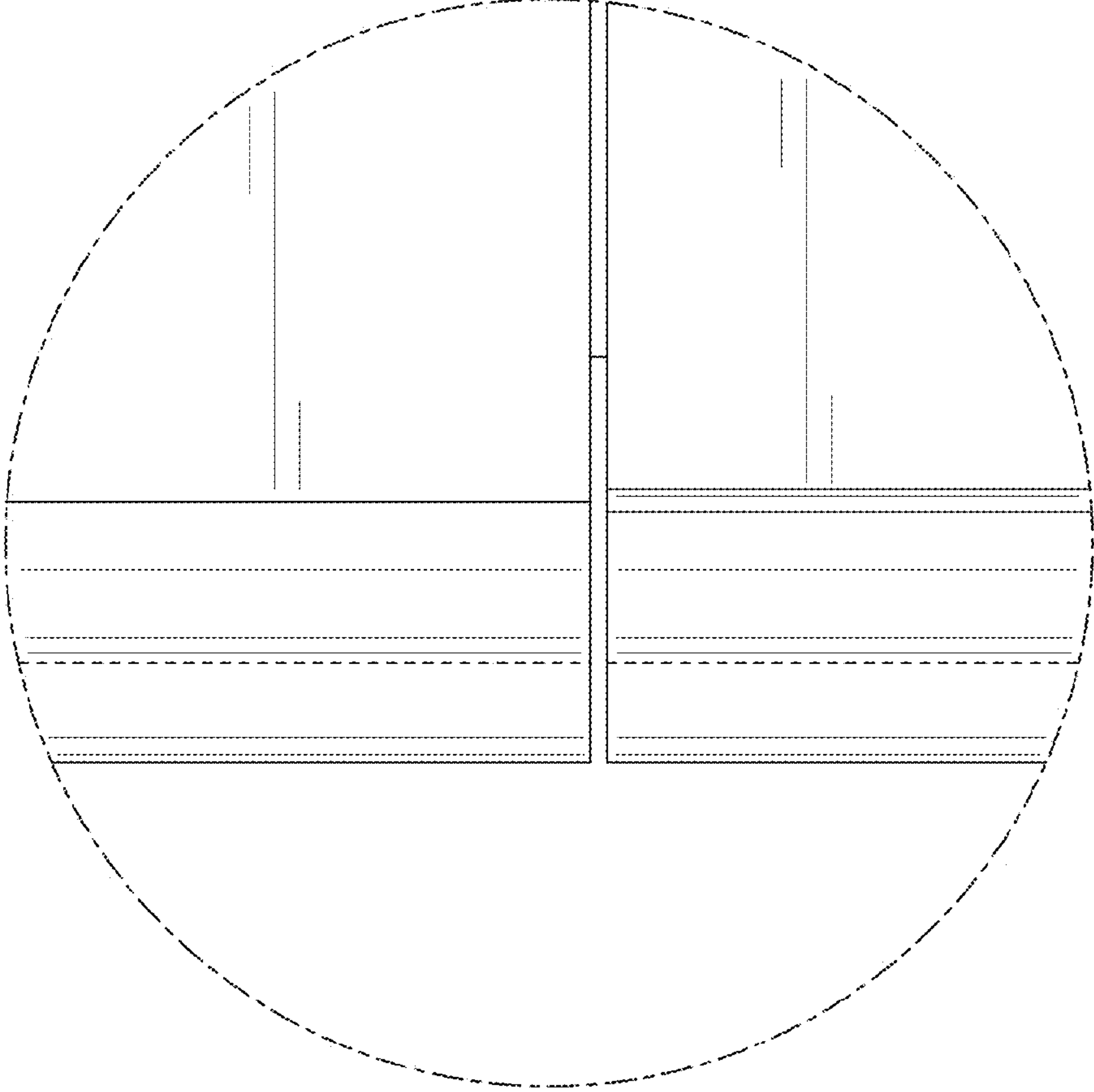


FIG. 9

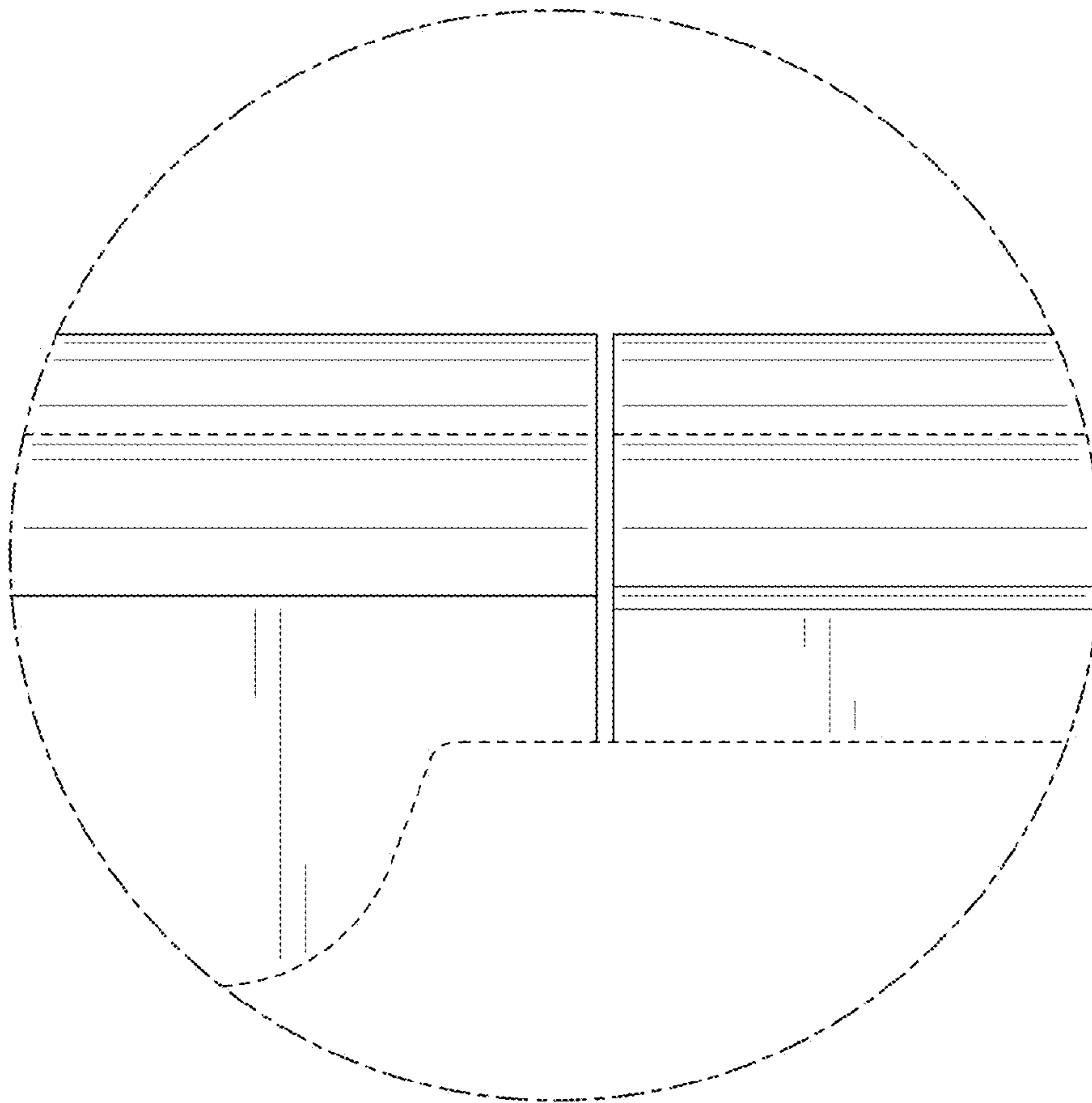


FIG. 12

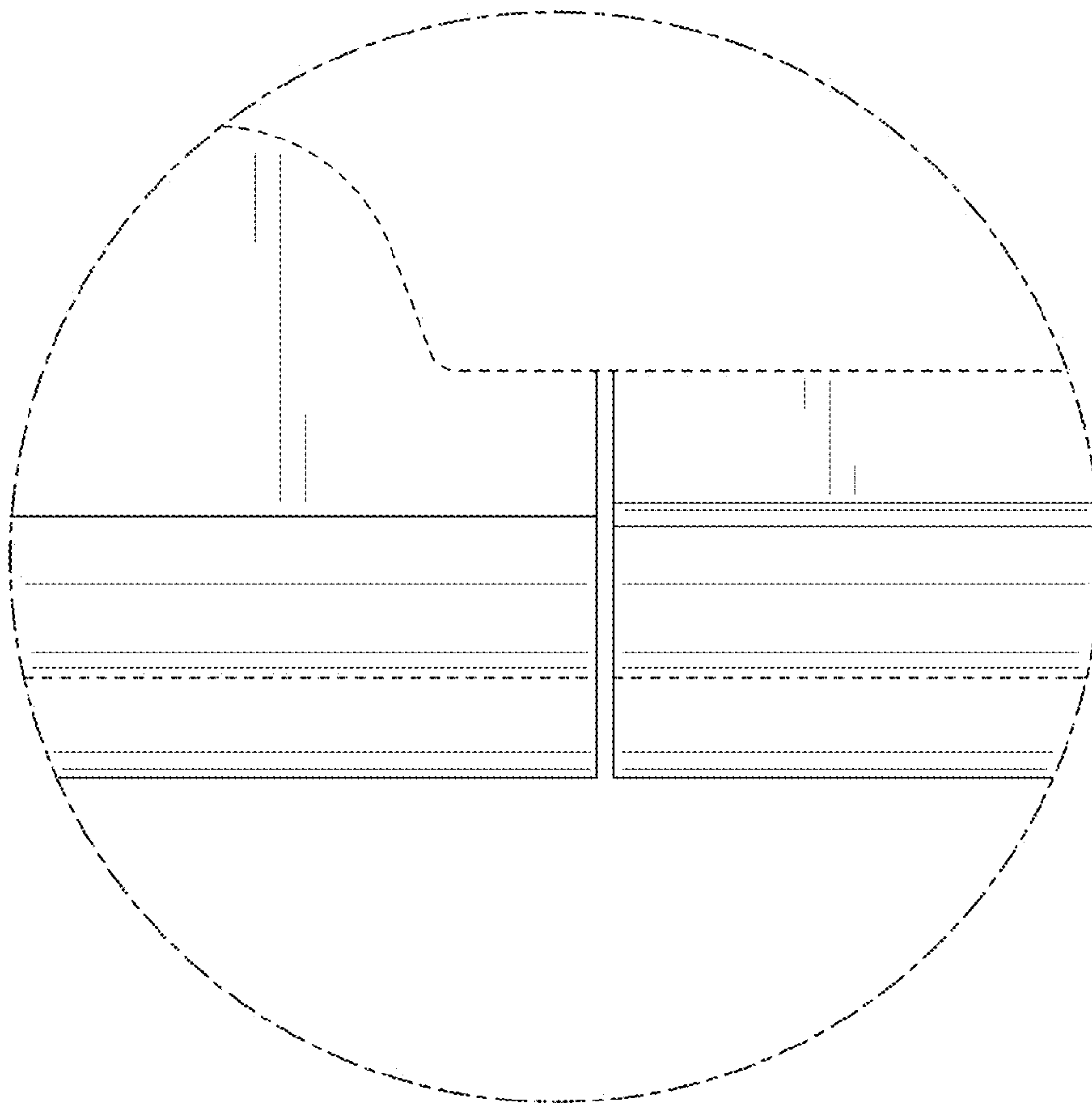


FIG. 11

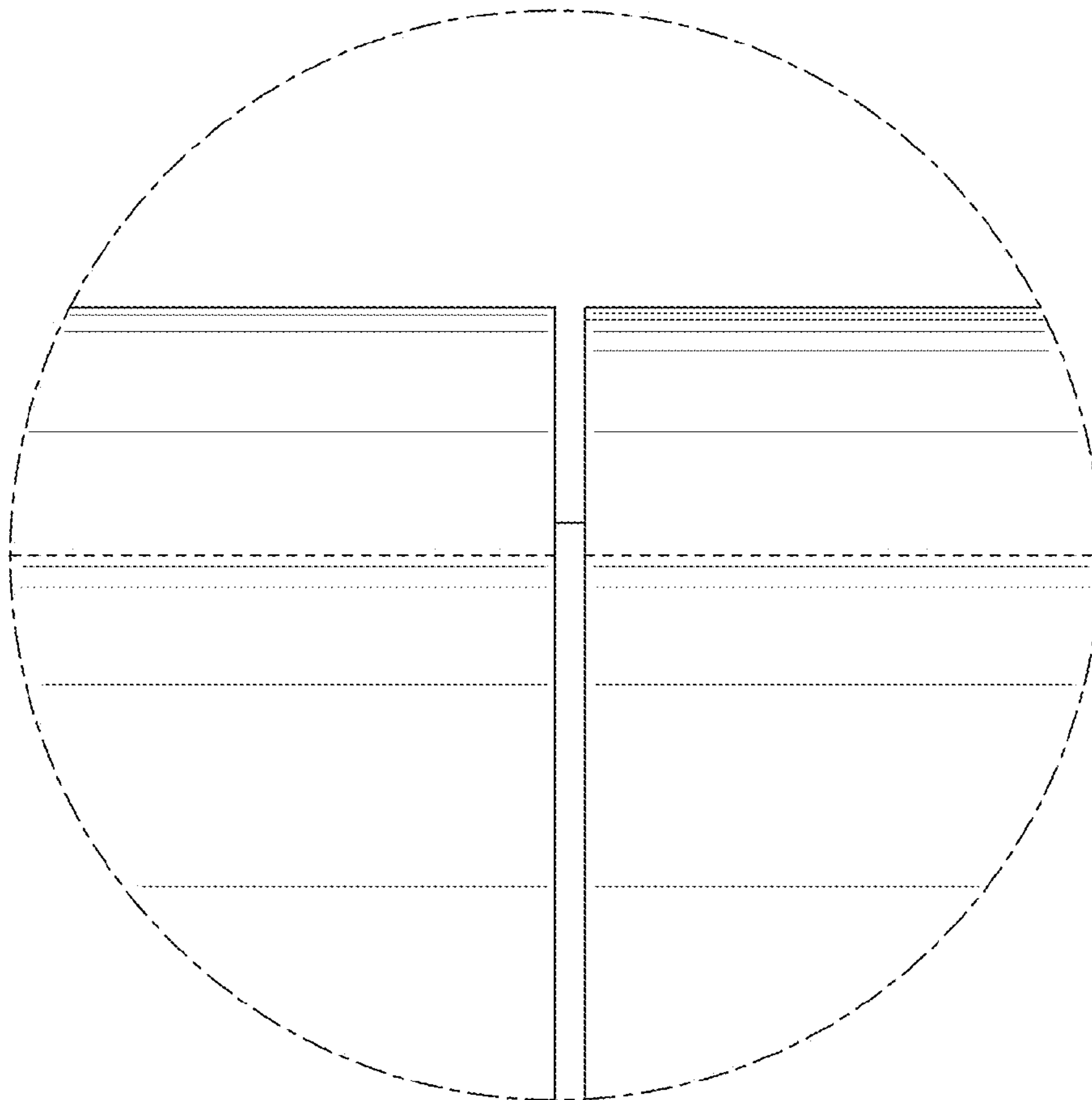


FIG. 14

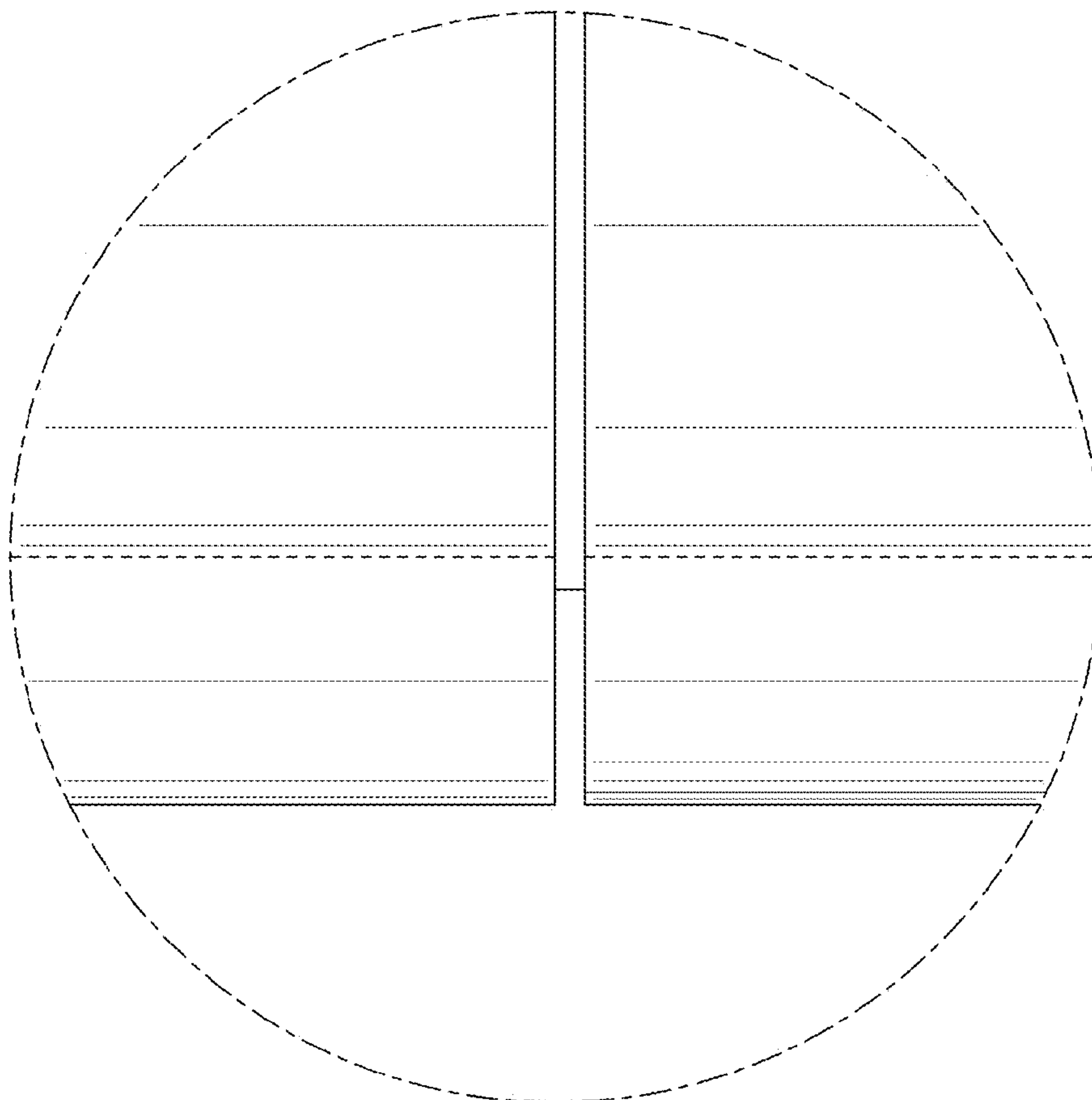


FIG. 13

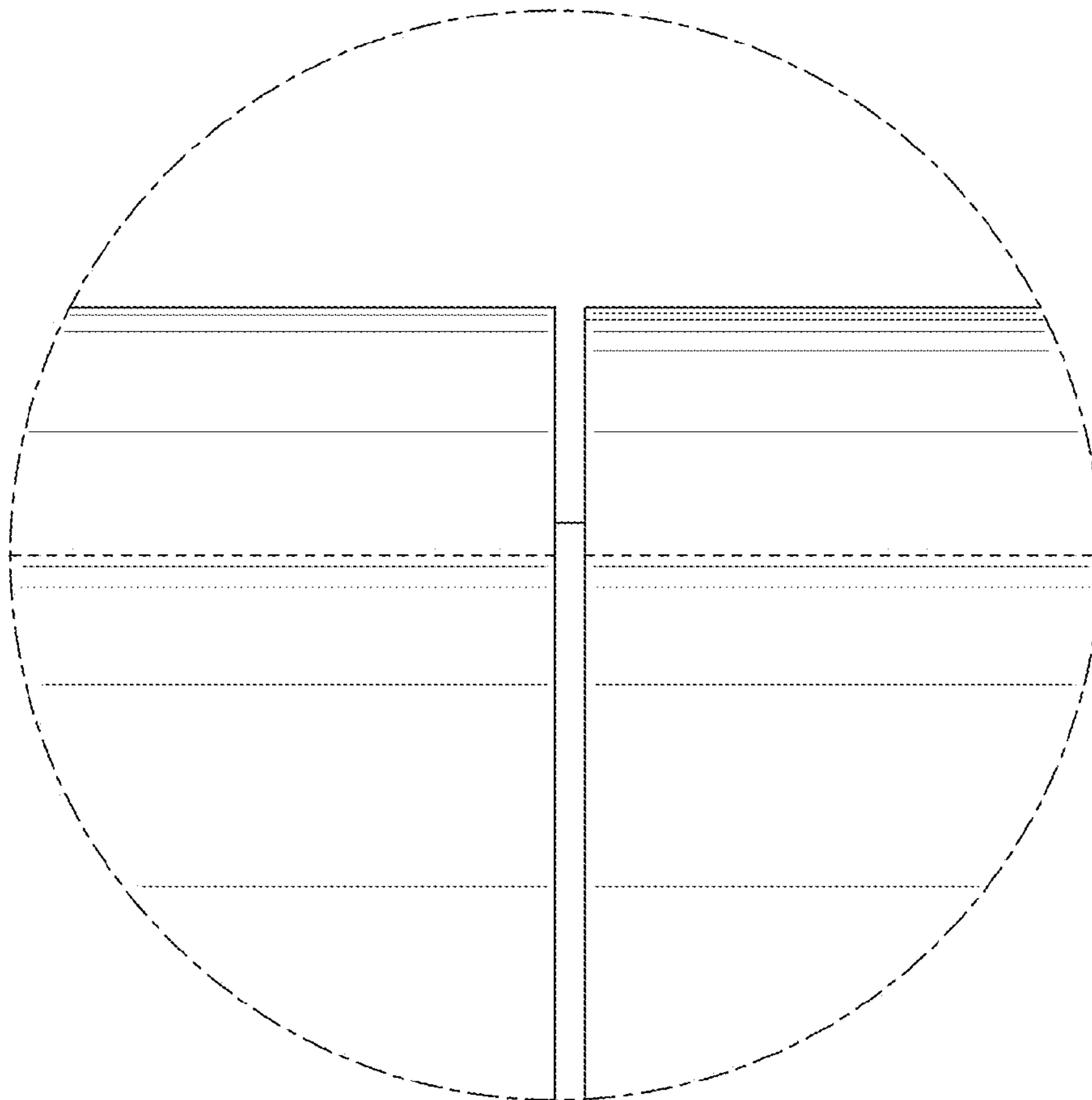


FIG. 16

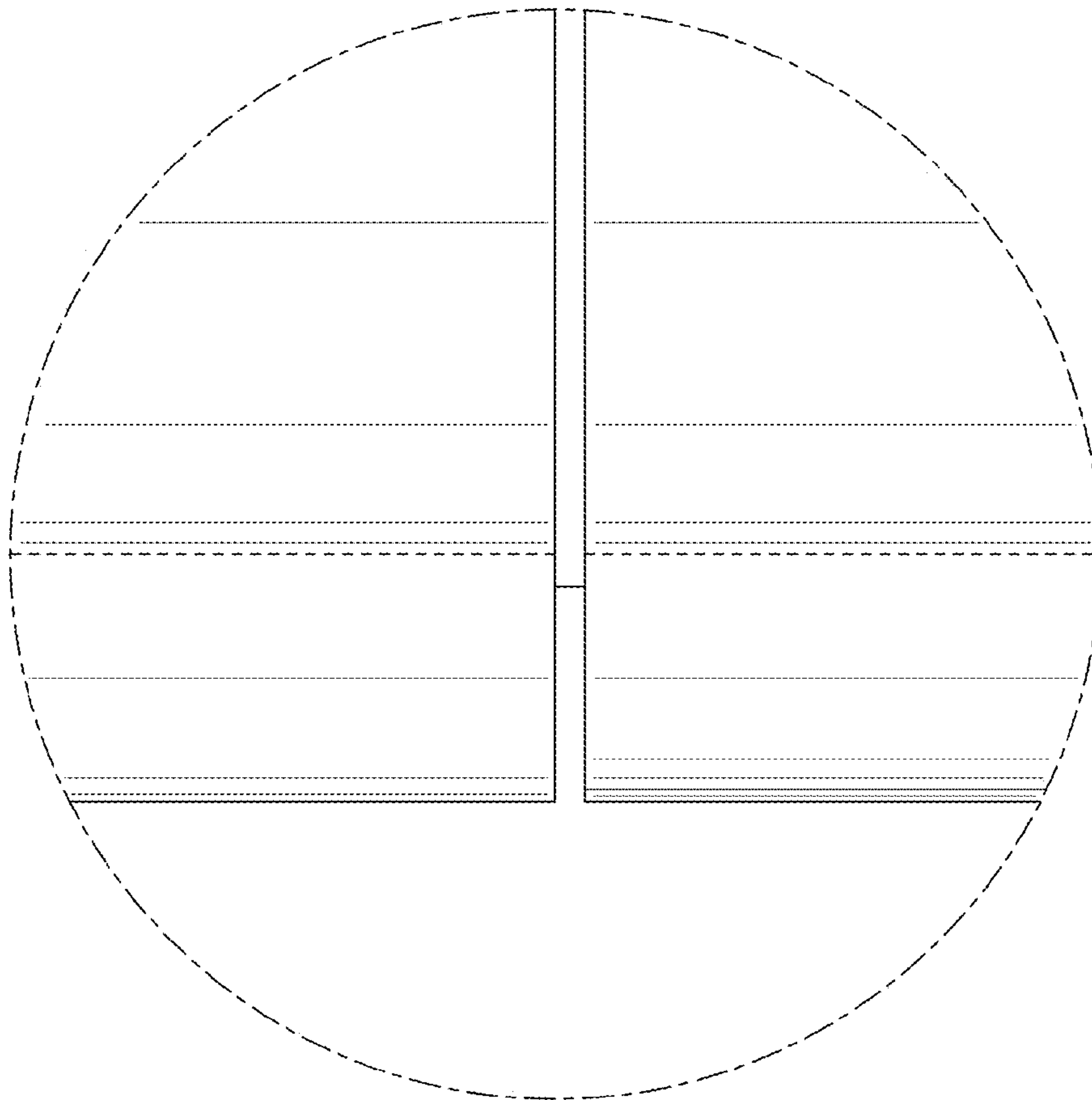


FIG. 15