



US00D901482S

(12) **United States Design Patent** (10) **Patent No.:** **US D901,482 S**
Koo (45) **Date of Patent:** **** Nov. 10, 2020**

(54) **STAND FOR ELECTRONIC COMMUNICATIONS DEVICE**
(71) Applicant: **SPIGEN KOREA CO., LTD.**, Seoul (KR)
(72) Inventor: **Bonyoung Koo**, Seoul (KR)
(73) Assignee: **Spigen Korea CO., LTD.**, Seoul (KR)
(**) Term: **15 Years**
(21) Appl. No.: **29/728,621**
(22) Filed: **Mar. 19, 2020**
(51) **LOC (12) Cl.** **14-03**
(52) **U.S. Cl.**
USPC **D14/253**
(58) **Field of Classification Search**
USPC D14/251–253, 447, 452, 432–434, 440;
D12/415; D3/218
CPC H04M 1/02; H04M 1/04; B60R 11/02;
F16M 11/00; F16M 11/04; F16M 11/06
See application file for complete search history.

D873,260 S 1/2020 Dang et al.
D875,090 S * 2/2020 Leeds-Frank D14/253
D877,066 S 3/2020 Zhang
D879,766 S * 3/2020 Fan D14/253
D881,200 S * 4/2020 Leeds-Frank D14/447
2015/0072555 A1* 3/2015 Riddiford F16M 11/041
439/575

OTHER PUBLICATIONS

“Spigen 30W Fast CarCharger Quick Charge3.0 USB Port, works with Galaxy S10/S10Plus /Note 10/10+S9/S8 and iPhone 11Pro Max Xs/XS Max/XR/ X / iPad, Tablet and more”, <https://www.amazon.com/dp/B01HH52Q5W>, Earliest review date of Mar. 8, 2017, Downloaded on Jun. 16, 2020.

(Continued)

Primary Examiner — Janice Hallmark
(74) *Attorney, Agent, or Firm* — Heedong Chae; Lucem, PC

(57) **CLAIM**

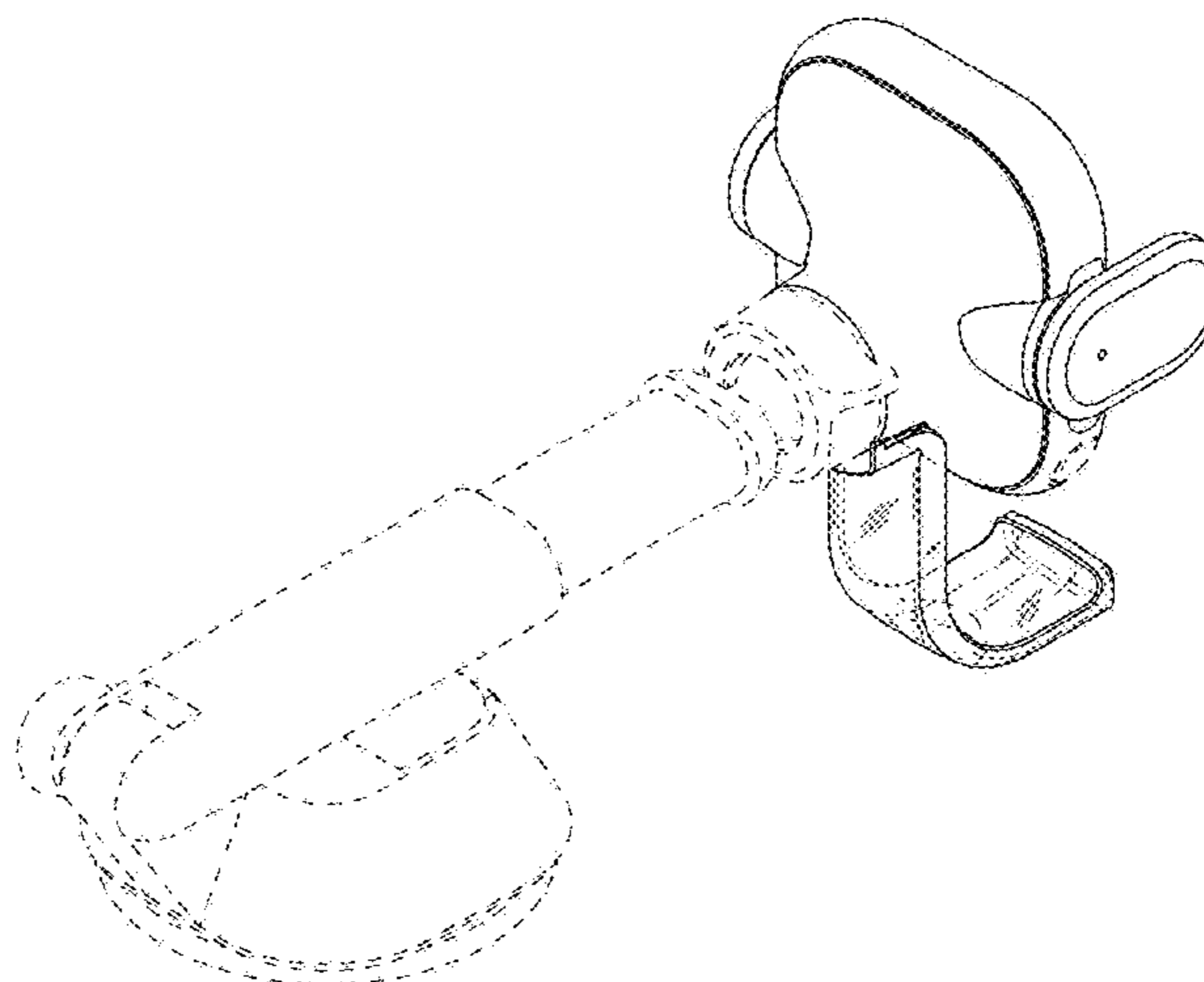
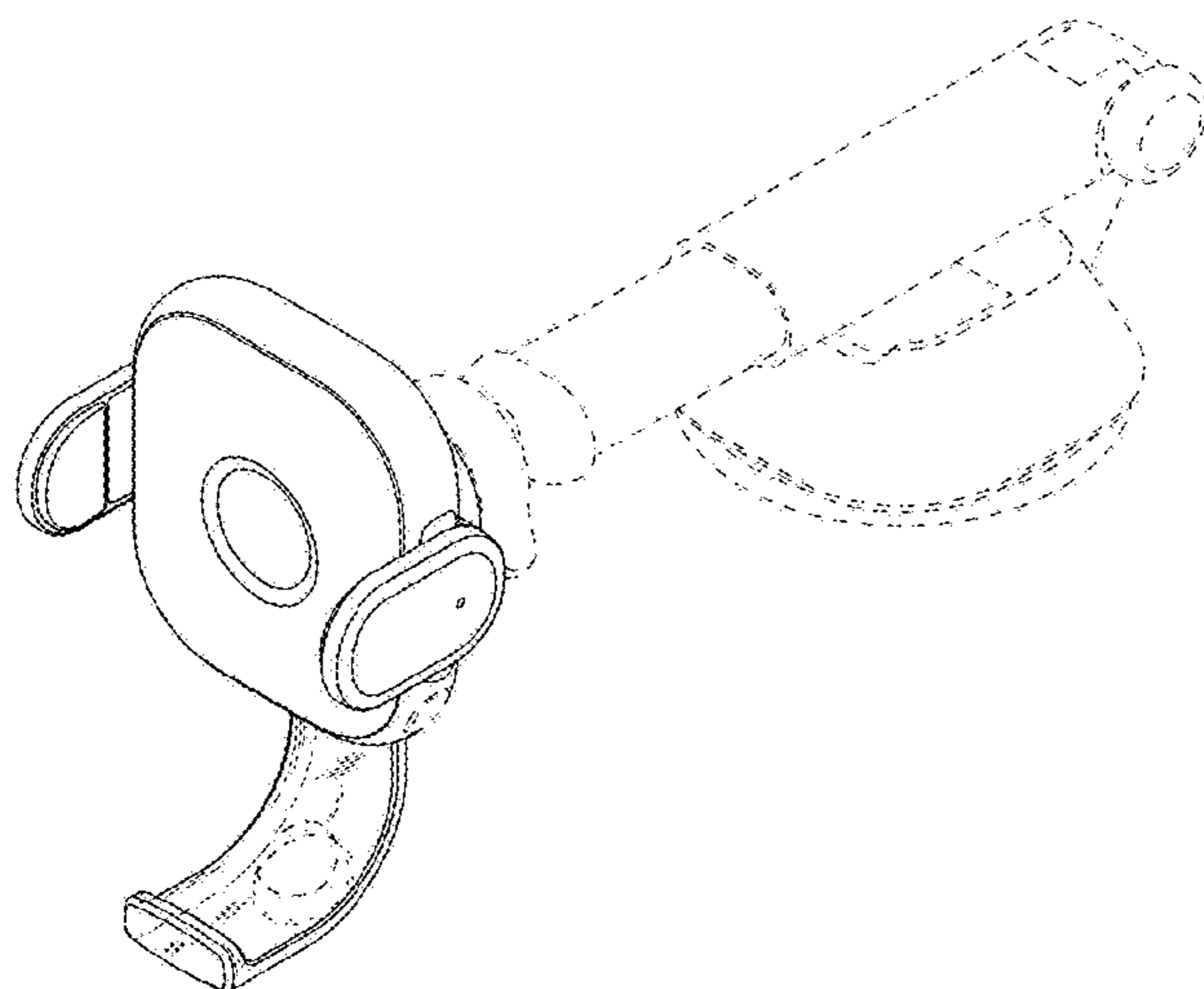
The ornamental design for a stand for electronic communications device, as shown and described.

DESCRIPTION

FIG. 1 is a front perspective view of a stand for electronic communications device showing my new design; FIG. 2 is a rear perspective view thereof; FIG. 3 is a front elevational view thereof; FIG. 4 is a rear elevational view thereof; FIG. 5 is a left side elevational view thereof; FIG. 6 is a right side elevational view thereof; FIG. 7 is a top plan view thereof; and, FIG. 8 is a bottom plan view thereof. The broken lines throughout the drawing figures depict portions of the stand for electronic communications device that form no part of the claimed design.

1 Claim, 8 Drawing Sheets

(56) **References Cited**
U.S. PATENT DOCUMENTS
D535,988 S 1/2007 Kettula et al.
D566,118 S 4/2008 Brassard
D568,144 S 5/2008 Wohlford et al.
D690,707 S 10/2013 Minn et al.
D705,211 S 5/2014 Huang
D749,596 S 2/2016 Khodapanah et al.
D752,571 S 3/2016 Richter
D765,070 S 8/2016 Franklin
D772,218 S 11/2016 Alesi et al.
D831,660 S 10/2018 Yao et al.
D832,248 S * 10/2018 Sukphist D14/253
D858,509 S 9/2019 Yao et al.
D859,393 S 9/2019 Dang et al.
D859,395 S 9/2019 Yao et al.
D872,014 S 1/2020 Zhang et al.



(56)

References Cited

OTHER PUBLICATIONS

“Magnetic Phone Car Mount, APPS2Car Universal Dashboard Windshield Industrial-Strength Suction Cup Car Phone Mount Holder with Adjustable Telescopic Arm, 6 Strong Magnets, for All Cell Phones”, <https://www.amazon.com/dp/B07L3Q7Y4F>, Earliest review date of Jan. 3, 2019, Downloaded on Jun. 16, 2020.

“Wireless Car Charger, CHGeek 10W Qi Fast Charging Auto Clamping Car Mount Windshield Dashboard Air Vent Phone Holder for iPhone 11 11 Pro Max Xs MAX XS XR X 8+, Samsung Galaxy S10+ S9+ S8 Note 9 etc by CHGeek,”, <https://www.amazon.com/dp/B07SCLNV9B/>, Earliest review date of Jun. 19, 2019, Downloaded on Jun. 16, 2020.

“AUKEY Car Phone Mount Air Vent Cell Phone Holder for Car Compatible with iPhone 11/11 Pro/Xs/XS Max / 8/7/ 6, Google Pixel 3 XL, Samsung Galaxy S9+, and Other”, <https://www.amazon.com/dp/B07W4Z4SMZ>, Earliest review date of Aug. 13, 2019, Downloaded on Jun. 26, 2020.

“Car Phone Mount Wireless Charger, 10W Auto-Clamping Qi Fast Charging Car Charger Mount Dashboard Air Vent Phone Holder for

iPhone SE, iPhone 11/11 Pro/11 Pro Max/XS Max, Galaxy S20/S20 Plus/Note10/S10”, <https://www.amazon.com/dp/B07XCLVLLF>, Earliest review date of Sep. 10, 2019, Downloaded on Jun. 26, 2020.

“APPLUS Wireless Car Charger, Automatic Sensor Car Phone Holder, 10W Qi Fast Charging Auto-Clamping mount, Air Vent Dash for iPhone 11/11 Pro/11 Pro Max/Xs MAX/XS/XR/X/8/8+, Samsung S10/S10+/S9/S9+/S 8/S8+”, <https://www.amazon.com/dp/B07WX8XT29>, Earliest review date of Oct. 2, 2019, Downloaded on Jun. 26, 2020.

“ZeeHoo Automatic Car Phone Mount, Electric Powered Auto Clamping Air Vent Car Phone Holder, Compatible iPhone 11/11 Pro Max/X/XS Max/XR/8/7/6, Galaxy S10/S10+/S9/S9+/S8, Google Nexus, LG (Battery Powered)”, <https://www.amazon.com/dp/B07ZQ8KQKK>, Earliest review date of Nov. 14, 2019, Downloaded on Jun. 26, 2020.

“Spigen SteadiBoost 36W USB C Car Charger with Built in USB-C 3.0 Cable Power Delivery (18W) and Qualcomm Quick Charge 3.0 (18W) Works with Galax, iPhone, Pixel, iPad, Galaxy Tab, Z flip”, <https://www.amazon.com/dp/B07VSDMTH8>, Earliest review date of Nov. 19, 2019, Downloaded on Jun. 16, 2020.

* cited by examiner

FIG. 1

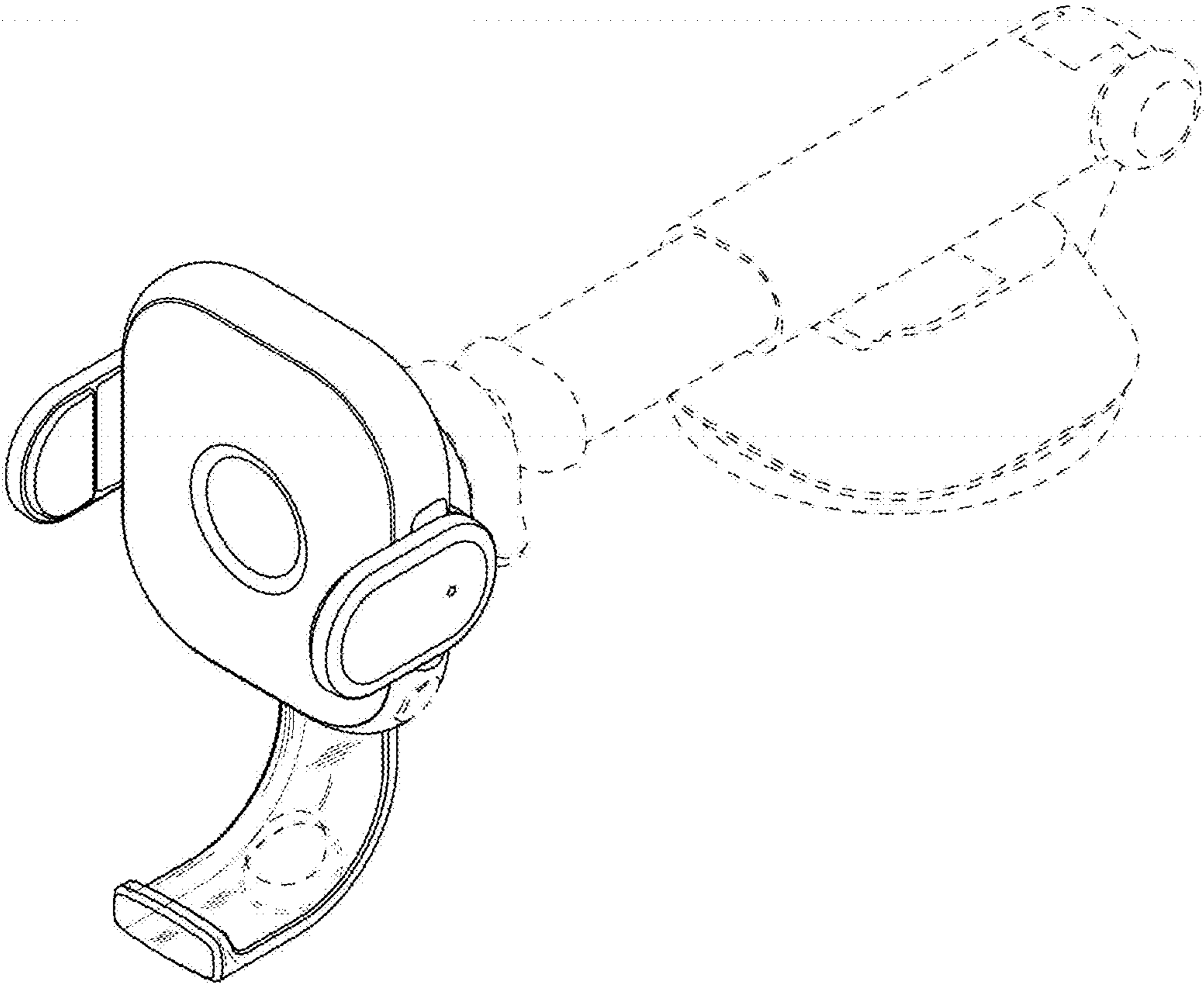


FIG. 2

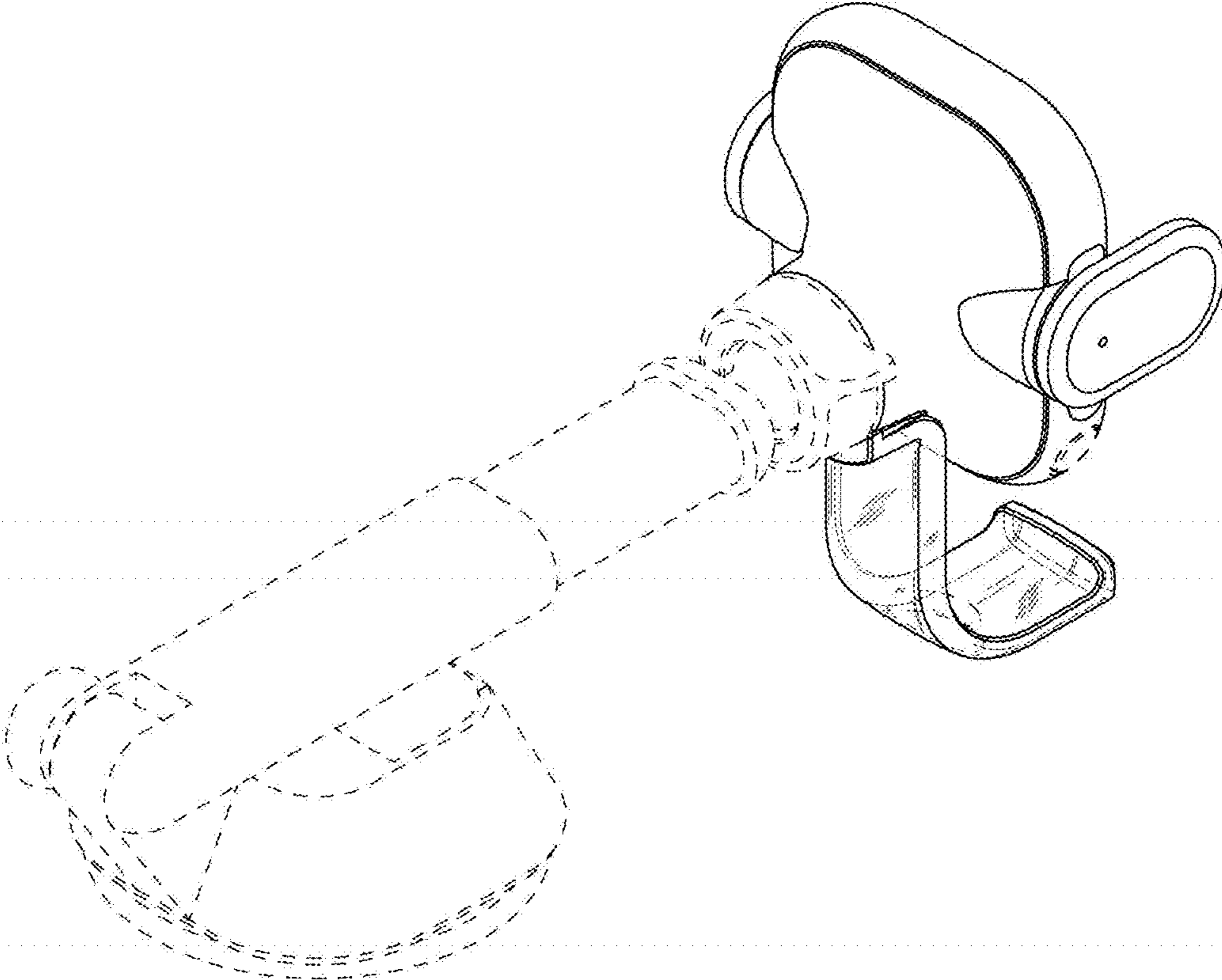


FIG. 3

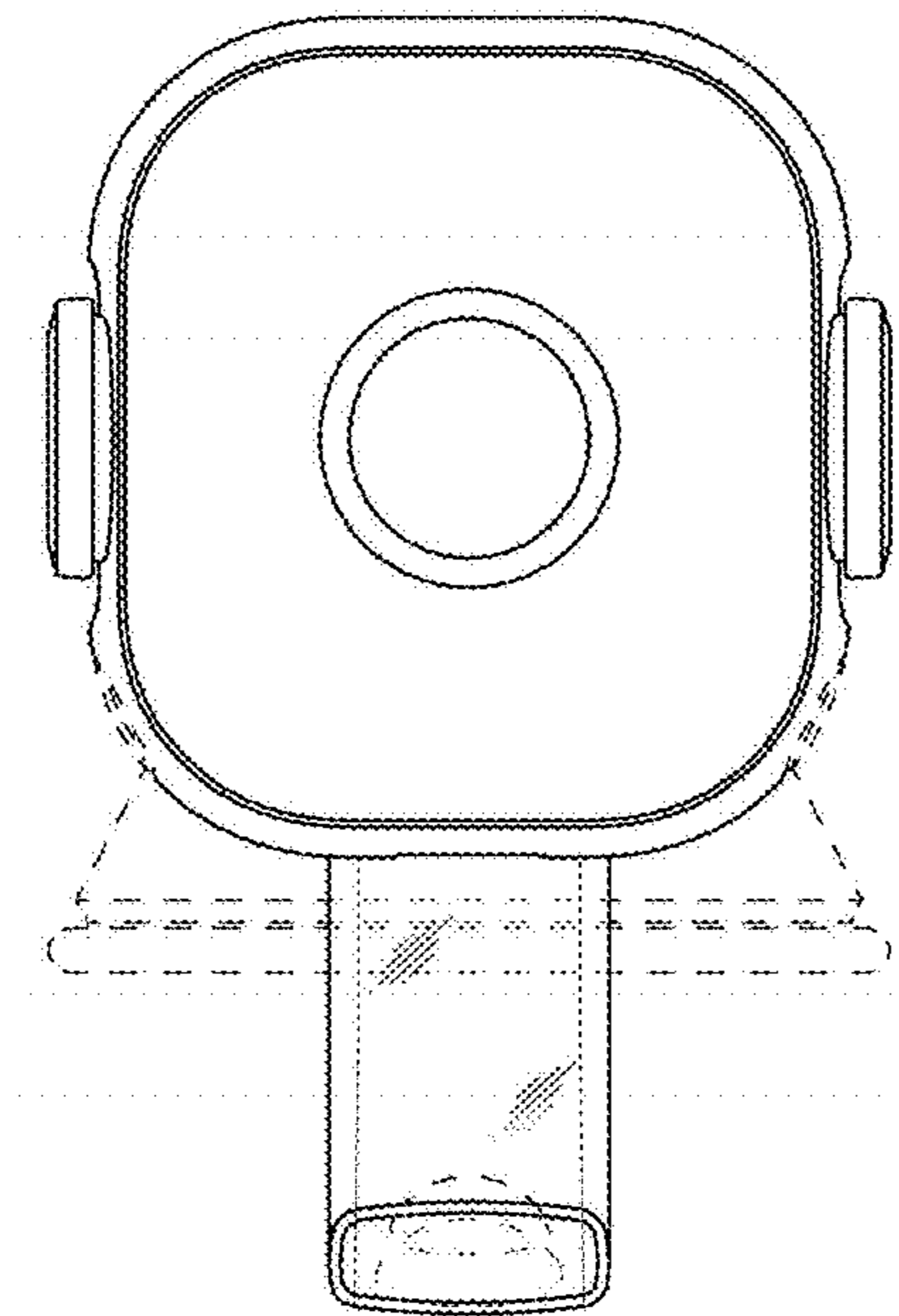


FIG. 4

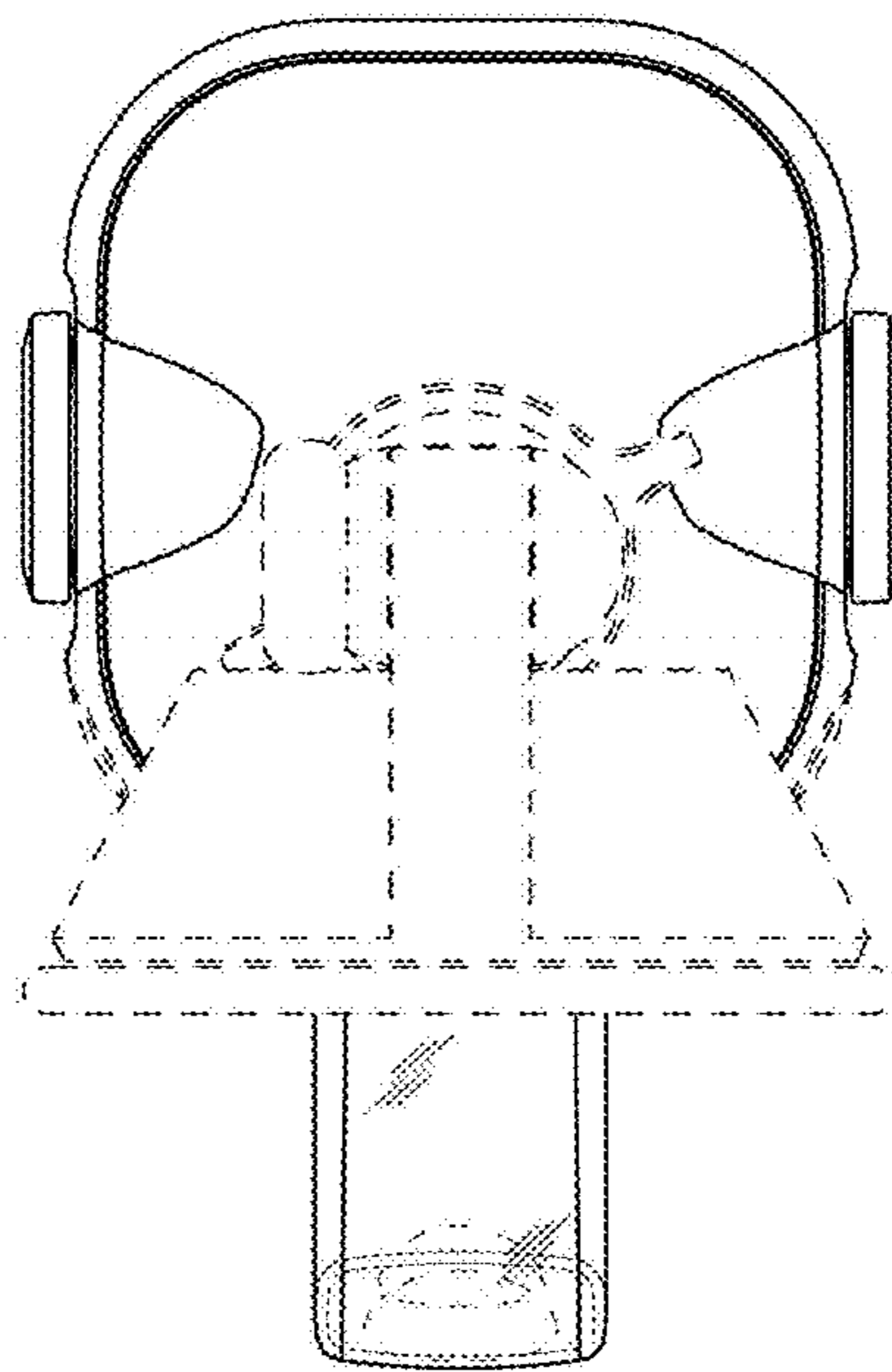


FIG. 5

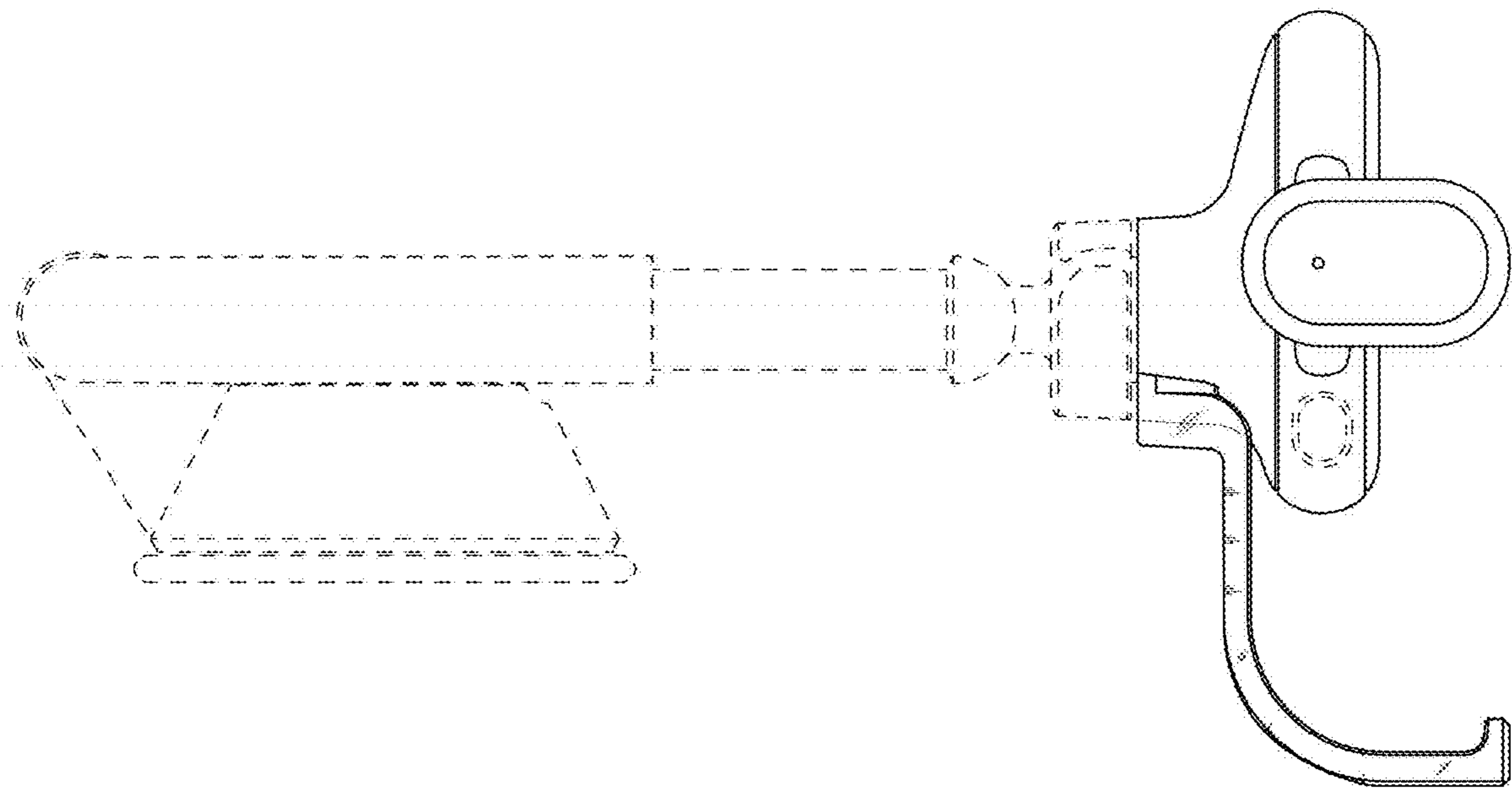


FIG. 6

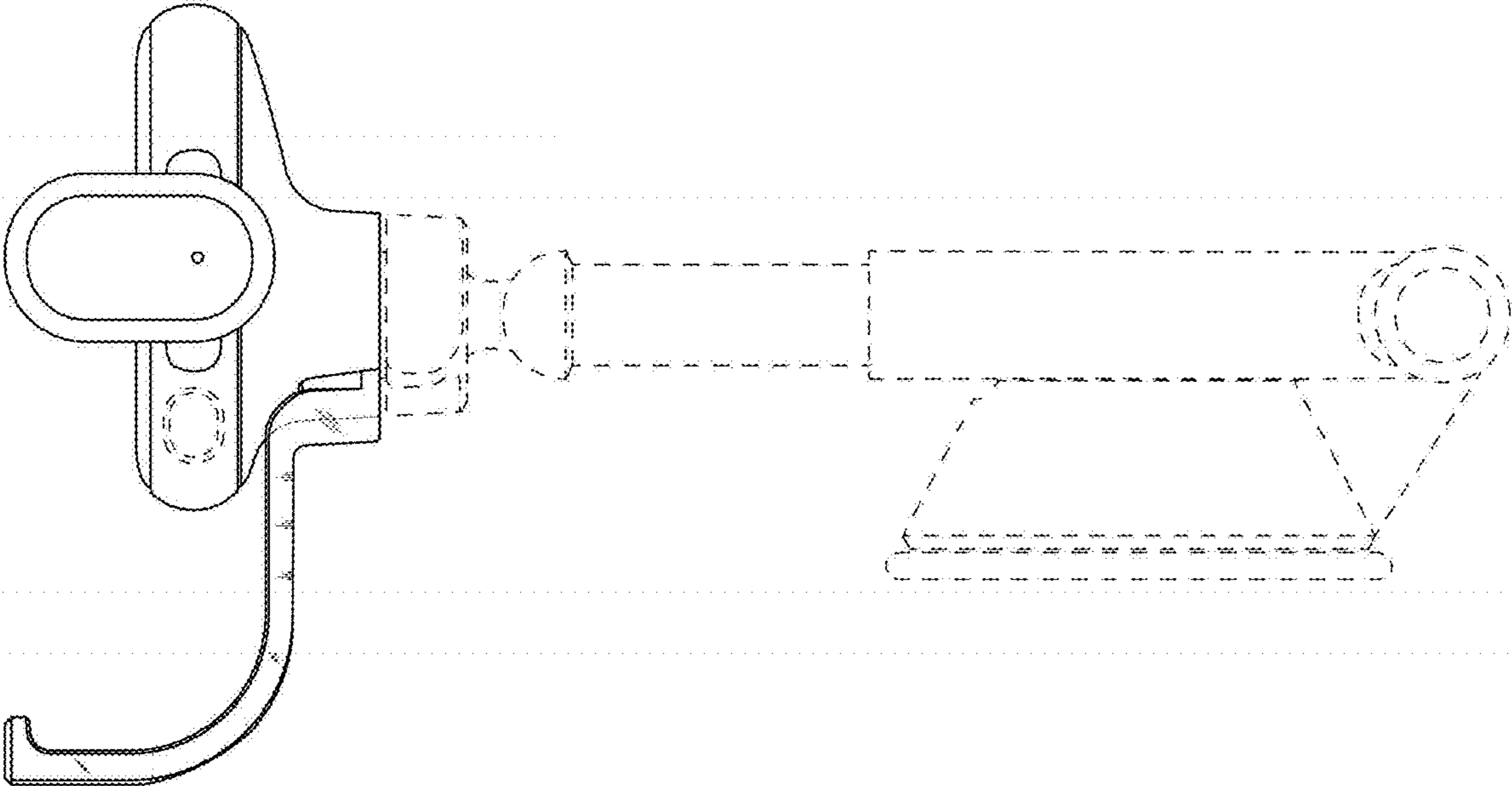


FIG. 7

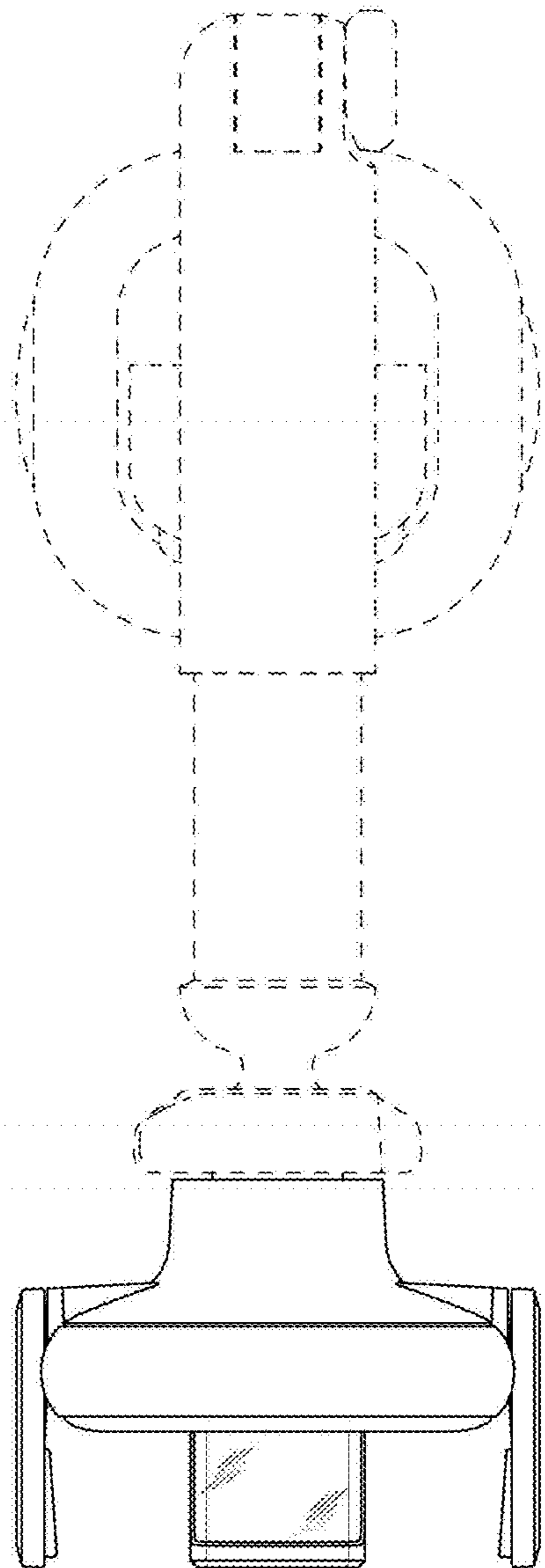


FIG. 8

