



US00D901476S

(12) **United States Design Patent** (10) **Patent No.:** **US D901,476 S**
Ahn (45) **Date of Patent:** **** Nov. 10, 2020**

(54) **CASE FOR ELECTRONIC COMMUNICATIONS DEVICE**

(71) Applicant: **SPIGEN KOREA CO., LTD.**, Seoul (KR)

(72) Inventor: **Deok Hyun Ahn**, Seoul (KR)

(73) Assignee: **Spigen Korea CO., LTD.**, Seoul (KR)

(**) Term: **15 Years**

(21) Appl. No.: **29/686,359**

(22) Filed: **Apr. 3, 2019**

(51) **LOC (12) Cl.** **14-03**

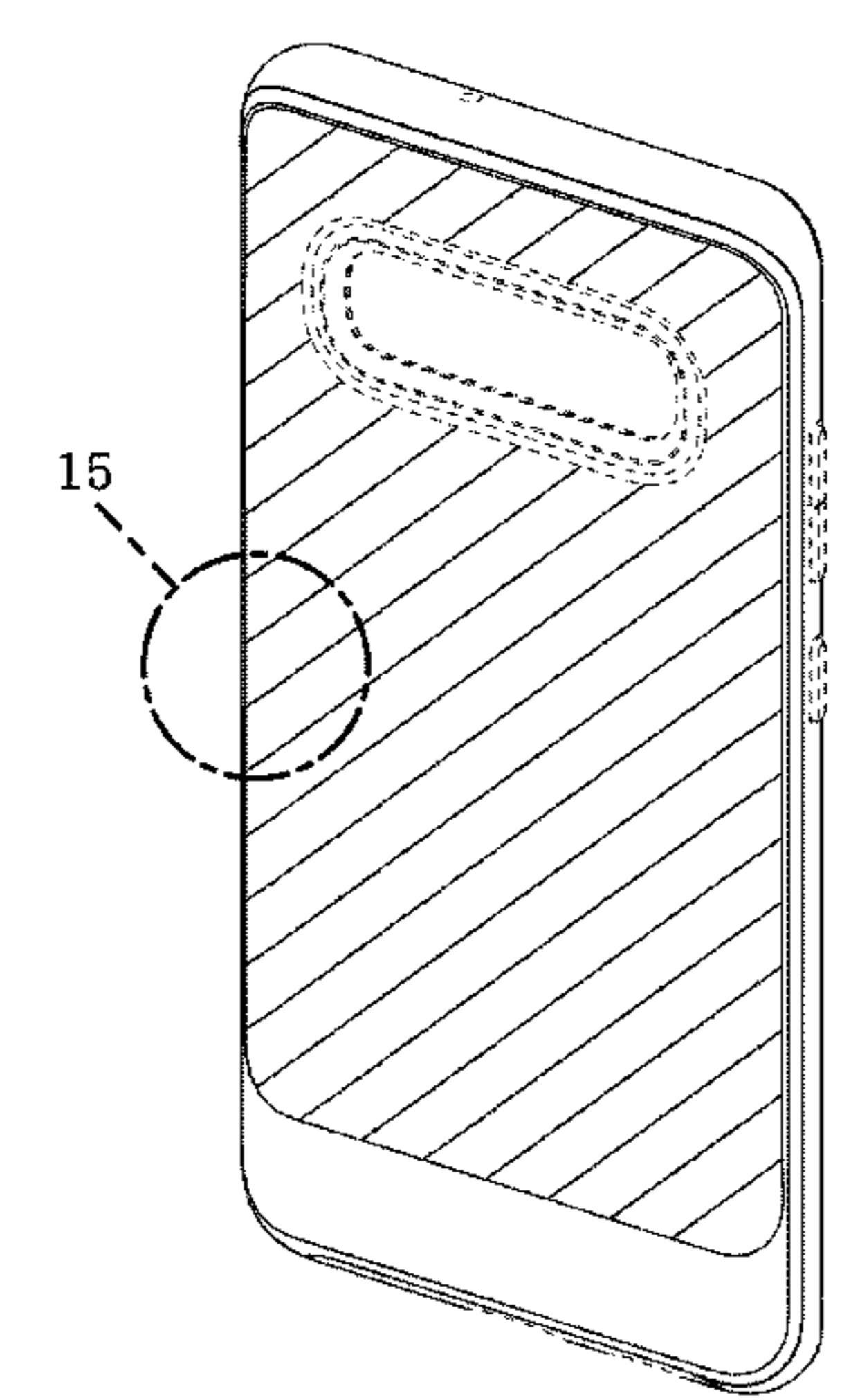
(52) **U.S. Cl.**
 USPC **D14/250**

(58) **Field of Classification Search**
 USPC D3/201, 218, 226, 227, 247, 249, 250,
 D3/269, 303; D13/103, 107, 108, 119;
 D14/137, 138 R, 138 AA, 138 C, 138 G,
 D14/172, 192, 203.3–203.7, 217, 238.1,
 D14/247, 248, 250–253, 434, 440, 447,
 D14/496
 CPC H04B 1/3888; H04M 1/0283;
 H04M 1/0202; A45C 1/06; A45C
 2011/002; A45C 11/00; A45F 2005/028;
 A45F 2200/0525
 See application file for complete search history.

D650,776 S * 12/2011 Bau D14/250
 D652,825 S 1/2012 Bau
 D655,287 S 3/2012 de Jong et al.
 D655,288 S 3/2012 de Jong et al.
 D655,699 S * 3/2012 Bau D14/250
 D662,929 S 7/2012 Fahrendorff et al.
 D663,297 S 7/2012 de Jong et al.
 D666,824 S * 9/2012 Phillips D3/303
 D671,930 S 12/2012 Akana et al.
 D673,539 S 1/2013 Magness et al.
 D673,550 S 1/2013 Magness et al.
 D674,789 S 1/2013 Wen
 D678,259 S * 3/2013 Moore D14/250
 D678,327 S * 3/2013 Lee D14/203.3
 D678,328 S 3/2013 Lee et al.
 D679,695 S 4/2013 Fahrendorff et al.
 D681,617 S 5/2013 Weller et al.
 D683,340 S * 5/2013 Chang D14/250
 D687,427 S * 8/2013 Peterson D14/250
 D691,601 S 10/2013 Murchison et al.
 D692,418 S * 10/2013 Fahrendorff D14/250
 D694,224 S 11/2013 Wooseung
 D696,238 S 12/2013 Murchison et al.
 D696,240 S 12/2013 Kim et al.
 D696,656 S * 12/2013 Murchison D14/250
 D706,255 S 6/2014 Akana et al.
 D709,484 S 7/2014 Yoo
 D709,649 S 7/2014 Maraffi
 D711,861 S * 8/2014 Mei D14/250
 D714,276 S 9/2014 Hu et al.
 D716,779 S 11/2014 Lee et al.
 D716,783 S * 11/2014 Loncar D14/250
 D721,071 S 1/2015 Nelson et al.
 D721,072 S 1/2015 Laffon de Mazieres et al.
 D721,360 S 1/2015 Laffon de Mazieres et al.
 D721,693 S 1/2015 Lee et al.
 D734,747 S 7/2015 Seo et al.
 D739,394 S 9/2015 Rayner et al.
 D740,796 S 10/2015 Kim et al.
 D741,845 S 10/2015 Kim
 D746,783 S 1/2016 Smeja
 D746,805 S 1/2016 Kim
 D756,343 S 5/2016 Wall et al.
 D763,241 S 8/2016 Kim
 D765,627 S 9/2016 Watt
 D765,633 S 9/2016 Northrup et al.
 D765,645 S 9/2016 Kim
 D771,612 S 11/2016 Roberts et al.
 D771,613 S 11/2016 Poon et al.
 D773,445 S 12/2016 Witter et al.
 D776,647 S 1/2017 Kim
 D777,157 S 1/2017 Kim
 D777,159 S 1/2017 Lee et al.

(56) **References Cited**
 U.S. PATENT DOCUMENTS

D490,419 S * 5/2004 Shiue D14/341
 D574,819 S 8/2008 Andre et al.
 D606,305 S * 12/2009 Lee D3/269
 D615,077 S 5/2010 Richardson et al.
 D615,536 S 5/2010 Richardson et al.
 D623,639 S 9/2010 Richardson et al.
 D623,640 S 9/2010 Freeman
 D624,065 S 9/2010 Bosch et al.
 D624,072 S 9/2010 Andre et al.
 D641,756 S * 7/2011 Hsieh D14/440
 D643,029 S 8/2011 Feng
 D643,837 S 8/2011 Smith



D779,471 S	2/2017	Tien	
D781,835 S	3/2017	Kim et al.	
D781,836 S	3/2017	Kim et al.	
D781,837 S	3/2017	Kim et al.	
D781,838 S	3/2017	Kim et al.	
D781,839 S	3/2017	Kim et al.	
D781,840 S	3/2017	Kim et al.	
D782,453 S	3/2017	Kim et al.	
D782,454 S	3/2017	Kim et al.	
D784,309 S	4/2017	Lee et al.	
D786,848 S	5/2017	Park et al.	
D786,849 S	5/2017	Park et al.	
D792,394 S	7/2017	Lee et al.	
D792,877 S	* 7/2017	Kim	D14/250
D793,380 S	* 8/2017	Ballou	D14/250
D795,237 S	8/2017	Jung et al.	
D797,715 S	9/2017	Kim	
D798,286 S	9/2017	Roberts et al.	
D798,853 S	10/2017	Park et al.	
D800,714 S	10/2017	Lee et al.	
D801,322 S	10/2017	Song et al.	
D801,323 S	10/2017	Kim	
D808,371 S	* 1/2018	Kim	D14/250
D831,635 S	10/2018	Gibson	
D853,375 S	7/2019	Jeong et al.	
D853,376 S	7/2019	Jeong et al.	
D855,608 S	* 8/2019	Kim	D14/250
D857,683 S	* 8/2019	Kim	D14/250
D863,279 S	* 10/2019	Kim	D14/250

OTHER PUBLICATIONS

Spigen Neo Hybrid Galaxy S10 case review, publication date Mar. 24, 2019, [online][site visited Nov. 7, 2019] URL: <https://www.androidcentral.com/spigen-neo-hybrid-galaxy-s10-case-review> (Year: 2019).*

Spigen Neo Hybrid Designed for Samsung S10 Case, publication date Feb. 25, 2019, [online][site visited Nov. 7, 2019] URL: <https://www.amazon.com/Spigen-Hybrid-Designed-Samsung-Galaxy/dp/B07MQWGMNN> (Year: 2019).*

“Installation video of SGP Neo Hybrid Case”, <https://www.youtube.com/watch?v=mVASro4MsEg>, Downloaded Oct. 30, 2009.

“Installation video of SGP Neo Hybrid2”, https://www.youtube.com/watch?v=y5_NdOVO2o, Downloaded May 25, 2010.

“Installation video of SGP Neo Hybrid Ex on iPhone 4”, <https://www.youtube.com/watch?v=Z-IRDIH1w0E>, Downloaded Sep. 3, 2010.

“SGP Neo Hybrid Matte Series Case for the iPhone 4”, <https://www.youtube.com/watch?v=f0H74451I-8>, Downloaded Sep. 22, 2010.

“SGP iPhone 4 Case Neo Hybrid Matte Series Gun Metal”, <https://www.amazon.com/dp/B004F11Q7E>, Earliest review late of Dec. 3, 2010, Downloaded on Aug. 15, 2018.

“Installation video of SGP Neo Hybrid on iPhone 4”, <https://www.youtube.com/watch?v=GnVusVoDrOc>, Downloaded Dec. 15, 2010.

“Installation video of SGP Case Neo Hybrid EX on Galaxy S2”, <https://www.youtube.com/watch?v=ZPhSIAUxXWg>, Downloaded Aug. 24, 2011.

“Spigen SGP Neo Hybrid 2S iPhone 4s & Neo Hybrid Galaxy S2 LTE”, <https://www.youtube.com/watch?i=SLzDq11dyiY>, Downloaded Nov. 21, 2011.

“Spigen SGP Neo Hybrid case for iPhone 4S”, <https://www.youtube.com/watch?v=nLvPhRyX3g>, Downloaded Nov. 22, 2011.

“Neo Hybrid Case for Galaxy S3”, <https://www.youtube.com/watch?v=lgpahRniVku>, Downloaded Jun. 27, 2012.

“Installation video of Spigen SGP Case Neo Hybrid Ex on iPhone 5”, <https://www.youtube.com/watch?i=X2GAS9FT6U4>, Downloaded Oct. 11, 2012.

“Spigen Neo Hybrid Galaxy S4 Case with Flexible Inner Protection and Reinforced Hard Bumper Frame for Galaxy S4 2013—Dante Red”, <https://www.amazon.com/dp/BOOBYJXI1Y>, Earliest review date of May 9, 2013, Downloaded on Jan. 22, 2019.

“Spigen Neo Hybrid iPhone 5 & 5s Case Review”, <https://www.youtube.com/watch?v=vTvTYZfSmal>, Downloaded Jul. 21, 2013.

“Spigen SGP Neo Hybrid for Galaxy Note 3 Review”, <https://www.youtube.com/watch?v=W80JtBDSckk>, Downloaded Nov. 3, 2013.

“Spigen Neo Hybrid Galaxy S5 Case with Flexible Inner Protection and Reinforced Hard Bumper Frame for Samsung Galaxy S5 2014—Electric Blue”, <https://www.amazon.com/dp/B0013UWJJY>, Earliest review date of Apr. 12, 2014, Downloaded on Jan. 22, 2019.

“Gold Apple iPhone 5 5S Hybrid Shockproof Hard Bumper Spft Case Cover Skin”, <https://www.nywatchstore.com/goapip55shys.html>, Earliest review date of Mar. 21, 2016, Downloaded on Jan. 22, 2019.

“Spigen Neo Hybrid iPhone 6 Case with Flexible Inner Protection and Reinforced Hard Bumper Frame for iPhone 6S / iPhone 6—Gunmetal”, <https://www.amazon.com/dp/B00LL6ZPXY>, Earliest review date of Aug. 28, 2014, Downloaded on Dec. 18, 2018.

“Spigen Neo Hybrid Ex iPhone 6 Case with Flexible Inner Bumper and Reinforced Hard Frame for iPhone 6S/iPhone 6—Ex Satin Silver”, <https://www.amazon.com/dp/B00LL6RZ3C>, Earliest review date of Sep. 6, 2014, Downloaded on Dec. 18, 2018.

“Spigen Neo Hybrid Nexus 6 Case with Flexible Inner Protection and Reinforced Hard Bumper Frame for Google Nexus 6 2014—Dante Red”, <https://www.amazon.com/dp/B00OH4HKGC>, Earliest review date of Nov. 16, 2014, Downloaded on Dec. 18, 2018.

“Spigen Neo Hybrid Galaxy S6 Case with Flexible Inner Protection and Reinforced Hard Bumper Frame for Galaxy S6 2015—Satin Silver”, <https://www.amazon.com/dp/B00QU4Q31A>, Earliest review date of Mar. 6, 2015, Downloaded on Dec. 18, 2018.

“Spigen Neo Hybrid Galaxy S6 Edge Case with Flexible Inner Protection and Reinforced Hard Bumper Frame for Galaxy S6 Edge 2015—Gunmetal”, <https://www.amazon.com/dp/B00SV635BG>, Earliest review date of Mar. 19, 2015, Downloaded on Dec. 18, 2018.

“Spigen Neo Hybrid Cc Galaxy S6 Case with Flexible Inner Casing and Reinforced Hard Bumper Frame for Galaxy S6 2015—Satin Silver”, <https://www.amazon.com/dp/B00UMDOZLU>, Earliest review date of Mar. 25, 2015, Downloaded on Dec. 18, 2018.

“Spigen Neo Hybrid CC Galaxy S6 Edge Case with Flexible Inner Casing and Reinforced Hard Bumper Frame for Galaxy S6 Edge 2015—Blue Topaz”, <https://www.amazon.com/dp/B00USAPGKQ>, Earliest review date of Apr. 4, 2015, Downloaded on Dec. 18, 2018.

“Spigen Neo Hybrid Carbon Galaxy S6 Edge Plus Case with Carbon Fiber Design and Reinforced Hard Bumper Frame for Galaxy S6 Edge Plus 2015—Dante Red”, <https://www.amazon.com/dp/B010MWHZSO>, Earliest review date of Aug. 18, 2015, Downloaded on Dec. 18, 2018.

“Spigen Neo Hybrid Crystal Galaxy Note 5 Case with Flexible Inner Casing and Reinforced Hard Bumper Frame for Galaxy Note 5 2015—Champagne Gold”, <https://www.amazon.com/dp/B010MWIG1K>, Earliest review date of Aug. 22, 2015, Downloaded on Dec. 18, 2018.

“iPhone 6s Case, Spigen [Neo Hybrid Ex] Premium Bumper [Rose Gold] Clear TPU / PC Frame Slim Dual Layer Premium Case for iPhone 6 (2014) / 6s (2015)—Rose Gold (SGP11725)”, <https://www.amazon.com/dp/B012PKV30S>, Earliest review date of Aug. 28, 2015, Downloaded on Dec. 18, 2018.

“Spigen Neo Hybrid iPhone 6S Case with Flexible Inner Protection and Reinforced Hard Bumper Frame for iPhone 6S 2015—Gunmetal”, <https://www.amazon.com/dp/B010MVIZTE>, Earliest review date of Sep. 1, 2019, Downloaded on Dec. 18, 2018.

“Spigen Neo Hybrid Carbon iPhone 6s Case with Carbon Fiber Design and Reinforced Hard Bumper Frame for Apple iPhone 6s / iPhone 6 (2015)—Reventon Yellow”, <https://www.amazon.com/dp/B010MVJ5O8>, Earliest review date of Sep. 1, 2015, Downloaded on Dec. 18, 2018.

“Spigen Neo Hybrid Ex iPhone 6S Plus Case with Flexible Inner Bumper and Reinforced Hard Frame for iPhone 6S Plus/iPhone 6 Plus—Champagne Gold”, <https://www.amazon.com/dp/B010MVR16>, Earliest review date of Sep. 4, 2015, Downloaded on Dec. 18, 2018.

“iPhone 6S Plus Case, Caseology [Wavelength Series] Slim Fit Military-Grade Drop Protection [Navy Blue] for Apple iPhone 6S Plus (2015) & iPhone 6 Plus (2014)”, <https://www.amazon.com/dp/B013W2C77G>, Earliest review date of Sep. 10, 2015, Downloaded on Mar. 13, 2018.

“Spigen Neo Hybrid Carbon iPhone 6S Plus Case with Carbon Fiber Design and Reinforced Hard Bumper Frame for iPhone 6S Plus

2015—Gunmetal”, <https://www.amazon.com/dp/B010MVRGMQ>, Earliest review date of Sep. 11, 2015, Downloaded on Dec. 18, 2018.

“Spigen Neo Hybrid LG G7 Case/LG G7 ThinQ Case with Flexible Herringbone Pattern Protection and Reinforced Hard Bumper Frame for Lg G7 ThinQ (2018)—Gunmetal”, <https://www.amazon.com/dp/B078MPT645>, Earliest review late of Jun. 4, 2018, Downloaded on Dec. 18, 2018.

“iPhone Se Case, for Apple iPhone 5S/5 Case, Rock [Royce] Antiscratch Drop Protection Slim Fit Dual Layered Heavy Duty Armor Hybrid Hard PC + Soft TPU Protective Shell Case Champagne Gold/Black”, <https://www.amazon.com/dp/B014A8AM7I>, Earliest review date of Oct. 16, 2015, Downloaded on Jan. 30, 2019.

“Spigen Neo Hybrid Ex Nexus 6P Case with Flexible Inner Bumper and Reinforced Hard Frame for Nexus 6P 2015—Gunmetal”, <https://www.amazon.com/dp/B0184I8Z4W>, Earliest review date of Oct. 20, 2015, Downloaded on Dec. 18, 2018.

“Spigen Neo Hybrid Galaxy A8 Case with Flexible Inner Protection and Reinforced Hard Bumper Frame for Galaxy A8 (2018)—Gunmetal”, <https://www.amazon.com/dp/B077MW27DR>, Earliest review date of Apr. 27, 2018, Downloaded on Dec. 18, 2018.

George Tinari, “Caseology review: Testing 4 of the nicest iPhone 6s cases available”, [HTTP://WWW.CULTOFMAC.COM/Category/Reviews/](http://www.cultofmac.com/category/reviews/), Downloaded on Nov. 28, 2015.

“Spigen Neo Hybrid Crystal Galaxy S7 Edge Case with Flexible Inner Casing and Reinforced Hard Bumper Frame for Samsung Galaxy S7 Edge 2016—Satin Silver”, <https://www.amazon.com/dp/B01A7IDQV4>, Earliest review date of Feb. 22, 2016, Downloaded on Dec. 18, 2018.

“Spigen Neo Hybrid Galaxy S7 Case with Flexible Inner Protection and Reinforced Hard Bumper Frame for Samsung Galaxy S7 2016—Gunmetal”, <https://www.amazon.com/dp/B01B1I6J0E>, Earliest review date of Feb. 27, 2016, Downloaded on Dec. 18, 2018.

“Spigen Neo Hybrid Galaxy S7 Edge Case with Flexible Inner Protection and Reinforced Hard Bumper Frame for Samsung Galaxy S7 Edge 2016—Satin Silver”, <https://www.amazon.com/dp/B01B1I6JMM>, Earliest review date of Feb. 27, 2016, Downloaded on Dec. 18, 2018.

“Spigen Neo Hybrid Crystal Galaxy S7 Case with Flexible Inner Casing and Reinforced Hard Bumper Frame for Samsung Galaxy S7 2016—Champagne Gold”, <https://www.amazon.com/dp/B01B29WCOY>, Earliest review date of Mar. 3, 2016, Downloaded on Dec. 18, 2018.

“Rock PC+TPU Neo Hybrid Durable Slim Armor cover case for iPhone SE Plus”, <https://www.ebay.com/itm/Rock-PC-TPU-Neo-Hybrid-Durable-Slim-Armor-cover-case-for-iphone-X-6S-5S-Se-Plus-/111952466831>, Earliest review late of Mar. 30, 2016, Downloaded on Mar. 9, 2018.

“Spigen Neo Hybrid iPhone Se Case with Flexible Inner Protection and Reinforced Hard Bumper Frame for iPhone SE 2016—Gunmetal”, <https://www.amazon.com/dp/B01BEJBBSK>, Earliest review date of Apr. 6, 2016, Downloaded on Dec. 20, 2018.

“Spigen Neo Hybrid Crystal iPhone Se Case with Flexible Inner Casing and Reinforced Hard Bumper Frame for iPhone SE 2016—Rose Gold”, <https://www.amazon.com/dp/B01BEJB7TI>, Earliest review date of Apr. 7, 2016, Downloaded on Dec. 18, 2018.

“Spigen Neo Hybrid NC Galaxy S9 Plus Case with Disassemblable Top and Bottom Frames with Clear Rigid Back for 2018 Samsung Galaxy S9 Plus—Lilac Purple”, <https://www.amazon.com/dp/B07CZ98B53>, Earliest review date of Apr. 25, 2018, Downloaded on Dec. 18, 2018.

“Spigen Neo Hybrid Crystal LG G5 Case with Flexible Inner Casing and Reinforced Hard Bumper Frame for LG G5 2016—Champagne Gold”, <https://www.amazon.com/dp/B01B1GQKIC>, Earliest review date of Apr. 17, 2016, Downloaded on Dec. 18, 2018.

“Spigen Neo Hybrid OnePlus 3 Case/OnePlus 3T Case with Flexible Inner Protection and Reinforced Hard Bumper Frame for OnePlus 3 2016—Gunmetal”, <https://www.amazon.com/dp/B01H3PF76Q>, Earliest review date of Aug. 9, 2016, Downloaded on Dec. 18, 2018.

“Rock Royce Hybrid Case for Apple iPhone 5 5S & SE Iron Grey”, <https://www.gadgetwear.co.uk/products/rock-royce-hybrid-case-for->

[apple-iphone-5-5s-se-iron-grey](https://www.gadgetwear.co.uk/products/rock-royce-hybrid-case-for-apple-iphone-5-5s-se-iron-grey), Earliest review date of Aug. 26, 2016, Downloaded on Mar. 9, 2018.

“Spigen Neo Hybrid Nc Galaxy S9 Case with Disassemblable Top and Bottom Frames with Clear Rigid Back for 2018 Samsung Galaxy S9—Lilac Purple”, <https://www.amazon.com/dp/B07CZ7WJLR>, Earliest review date of Apr. 25, 2018, Downloaded on Dec. 18, 2018.

“Spigen Neo Hybrid Galaxy S9 Case with Flexible Herringbone Pattern Protection and Reinforced Hard Bumper Frame for Samsung Galaxy S9 (2018)—Gunmetal”, <https://www.amazon.com/dp/B078BFJ2YR>, Earliest review date of Mar. 7, 2018, Downloaded on Dec. 18, 2018.

“Spigen Neo Hybrid Galaxy S9 Plus Case with Flexible Herringbone Pattern Protection and Reinforced Hard Bumper Frame for Samsung Galaxy S9 Plus (2018)—Gunmetal”, <https://www.amazon.com/dp/B0789S2LZH>, Earliest review date of Mar. 4, 2018, Downloaded on Dec. 18, 2018.

“Spigen Neo Hybrid Crystal iPhone 7 Plus Case with Flexible Casing and Hard Bumper Frame for Apple iPhone 7 Plus 2016—Champagne Gold”, <https://www.amazon.com/dp/B01GIWHKXI>, Earliest review date of Sep. 8, 2016, Downloaded on Dec. 18, 2018.

“Spigen Neo Hybrid iPhone 7 Case with Flexible Inner Protection and Reinforced Hard Bumper Frame for iPhone 7 2016—Gunmetal”, <https://www.amazon.com/dp/B01GIVXKUG>, Earliest review date of Sep. 8, 2016, Downloaded on Dec. 18, 2018.

“Spigen Neo Hybrid Herringbone Google Pixel 2 Case with Flexible Inner Protection and Reinforced Hard Bumper Frame for Google Pixel 2 (2017)—Gunmetal”, <https://www.amazon.com/dp/B0746Z1KYN>, Earliest review date of Nov. 2, 2017, Downloaded on Dec. 18, 2018.

“Spigen Neo Hybrid Crystal iPhone 7 Case with Flexible Inner Casing and Reinforced Hard Bumper Frame for iPhone 1 2016—Rose Gold”, <https://www.amazon.com/dp/B01GIVXVN2>, Earliest review date of Sep. 14, 2016, Downloaded on Dec. 18, 2018.

“Spigen Neo Hybrid iPhone 7 Plus Case with Flexible Inner Protection and Hard Bumper Frame for Apple iPhone 7 Plus (2016)—Gunmetal”, <https://www.amazon.com/dp/B01GIWH6H8>, Earliest review date of Sep. 14, 2016, Downloaded on Dec. 18, 2018.

“Spigen Neo Hybrid Google Pixel XL Case with Flexible Inner Protection and Reinforced Hard Bumper Frame for Google Pixel XL 2016—Satin Silver”, <https://www.amazon.com/dp/B01LZW1LW3>, Earliest review date of Oct. 23, 2016, Downloaded on Dec. 18, 2018.

“Spigen Neo Hybrid Crystal Google Pixel Case with Flexible Inner Casing and Reinforced Hard Bumper Frame for Google Pixel 2016—Gunmetal”, <https://www.amazon.com/dp/B01M03SL8Y>, Earliest review date of Dec. 14, 2016, Downloaded on Dec. 20, 2018.

“Spigen Neo Hybrid Crystal Google Pixel XL Case with Flexible Inner Casing and Reinforced Hard Bumper Frame for Google Pixel XL 2016—Gunmetal”, <https://www.amazon.com/dp/B01LZS6PON>, Earliest review date of Dec. 15, 2016, Downloaded on Dec. 18, 2018.

“Spigen Neo Hybrid Huawei P10 Lite Case with Flexible Inner Protection and Reinforced Hard Bumper Frame for Huawei P10 Lite (2017)—Champagne Gold”, <https://www.amazon.com/dp/B06XD1Z6XW>, Earliest review date of Oct. 30, 2017, Downloaded on Dec. 18, 2018.

“Spigen Neo Hybrid Google Pixel Case with Flexible Inner Protection and Reinforced Hard Bumper Frame for Google Pixel 2016—Blue”, <https://www.amazon.com/dp/B01N3VR9EA>, Earliest review date of Jan. 10, 2017, Downloaded on Dec. 18, 2018.

“Spigen Neo Hybrid Herringbone Google Pixel 2 XL Case with Flexible Inner Protection and Reinforced Hard Bumper Frame for Google Pixel 2 XL (2017)—Gunmetal”, <https://www.amazon.com/dp/B07474WTCG>, Earliest review date of Oct. 30, 2017, Downloaded on Dec. 18, 2018.

“Spigen Neo Hybrid Huawei Y6 Case with Flexible Inner Protection and Reinforced Hard Bumper Frame for Huawei Y6 2015—Champagne Gold”, <https://www.amazon.com/dp/B0182SKWUO>, Earliest review date of Feb. 13, 2017, Downloaded on Dec. 18, 2018.

“Spigen Neo Hybrid LG G6 Case Herringbone with Flexible Inner Protection and Reinforced Hard Bumper Frame for LG G6 (2017)—Satin Silver”, <https://www.amazon.com/dp/B01MR8C5Z7>, Earliest review date of Mar. 25, 2017, Downloaded on Dec. 18, 2018.

“Spigen Neo Hybrid Galaxy S8 Plus Case Herringbone with Flexible Inner Protection and Reinforced Hard Bumper Frame for Galaxy S8 Plus (2017)—Gunmetal”, <https://www.amazon.com/dp/B06XP6CRP5>, Earliest review date of Apr. 2, 2017, Downloaded on Dec. 18, 2018.

“Spigen Neo Hybrid Galaxy S8 Case Herringbone with Flexible Inner Protection and Reinforced Hard Bumper Frame for Samsung Galaxy S8 (2017)—Gunmetal”, <https://www.amazon.com/dp/B06XP521V1>, Earliest review date of Apr. 6, 2017, Downloaded on Dec. 18, 2018.

“Spigen Neo Hybrid Crystal Glitter Galaxy S8 Case with Flexible Inner Casing and Reinforced Hard Bumper Frame for Samsung Galaxy S8 (2017)—Space Quartz”, <https://www.amazon.com/dp/B06XP5KTXN>, Earliest review date of Apr. 15, 2017, Downloaded on Dec. 18, 2018.

“Spigen Neo Hybrid Crystal Galaxy S8 Plus Case with Clear Hard Casing and Reinforced Hard Bumper Frame for Galaxy S8 Plus (2017)—Gunmetal”, <https://www.amazon.com/dp/B06XP5HHV1>, Earliest review date of Apr. 20, 2017, Downloaded on Dec. 18, 2018.

“Spigen Neo Hybrid Crystal Glitter Galaxy S8 Plus Case with Flexible Inner Protection and Reinforced Hard Bumper Frame for Galaxy S8 Plus (2017)—Space Quartz”, <https://www.amazon.com/dp/B06XNW4WS9>, Earliest review date of Apr. 20, 2017, Downloaded on Dec. 18, 2018.

“Spigen Neo Hybrid Crystal Galaxy S6 Edge Plus Case with Flexible Inner Casing and Reinforced Hard Bumper Frame for Galaxy S6 Edge Plus 2015—Blue Topaz”, <https://www.amazon.com/dp/B010MWIIXQ>, Earliest review date of Jun. 25, 2017, Downloaded on Dec. 18, 2018.

“Spigen Neo Hybrid OnePlus 5 Case with Flexible Inner Protection and Reinforced Hard Bumper Frame for OnePlus 5 (2017)—Gunmetal”, <https://www.amazon.com/dp/B06XG24Q98>, Earliest review date of Aug. 23, 2017, Downloaded on Dec. 18, 2018.

“Spigen Neo Hybrid Galaxy Note 8 Case with Herringbone Flexible Inner Protection and Reinforced Hard Bumper Frame for Galaxy Note 8 (2017)—Gunmetal”, <https://www.amazon.com/dp/B073RWTZ5V>, Earliest review date of Aug. 27, 2017, Downloaded on Dec. 18, 2018.

“Spigen Neo Hybrid Crystal Galaxy Note 8 Case with Clear Hard Casing and Reinforced Hard Bumper Frame for Galaxy Note 8 (2017)—Gunmetal”, <https://www.amazon.com/dp/B073R79115>, Earliest review date of Aug. 28, 2017, Downloaded on Dec. 18, 2018.

“Spigen Neo Hybrid Herringbone iPhone 8 Plus Case/iPhone 7 Plus Case with Hard Bumper Frame for Apple iPhone 8 Plus (2017) / Apple iPhone 7 Plus (2016)—Black & Gunmetal”, <https://www.amazon.com/dp/B07482D1JW>, Earliest review date of Sep. 12, 2017, Downloaded on Dec. 18, 2018.

“Spigen Neo Hybrid [2nd Generation] iPhone 8 Plus Case/iPhone 7 Plus Case with Hard Frame for Apple iPhone 8 Plus (2017) / Apple iPhone 7 Plus (2016)—Gunmetal”, <https://www.amazon.com/dp/B07519W92L>, Earliest review date of Sep. 14, 2017, Downloaded on Dec. 18, 2018.

“Spigen Neo Hybrid Herringbone iPhone 8 Case/iPhone 7 Case with Flexible Inner Protection and Reinforced Hard Bumper Frame for Apple iPhone 8 (2017) / iPhone 7 (2016)—Gunmetal”, <https://www.amazon.com/dp/B07482P44X>, Earliest review date of Sep. 20, 2017, Downloaded on Dec. 18, 2018.

“Spigen Neo Hybrid Crystal [2nd Generation] iPhone 8 Case/iPhone 7 Case with Clear Hard Casing and Reinforced Hard Bumper Frame for Apple iPhone 8 (2017) / iPhone 7 (2016)—Gunmetal”, <https://www.amazon.com/dp/B0751C7FF2>, Earliest review date of Sep. 22, 2017, Downloaded on Dec. 18, 2018.

“Spigen Neo Hybrid Crystal [2nd Generation] iPhone 8 Plus Case/iPhone 7 Plus Case with Clear Casing and Hard Bumper Frame for Apple iPhone 8 Plus (2017) / Apple iPhone 7 Plus (2016)—Rose Gold”, <https://www.amazon.com/dp/B0751D3JTL>, Earliest review date of Sep. 23, 2017, Downloaded on Dec. 18, 2018.

“Spigen Neo Hybrid [2nd Generation] iPhone 8 Case/iPhone 7 Case with Flexible Inner Protection and Reinforced Hard Bumper Frame for Apple iPhone 8 (2017) / iPhone 7 (2016)—Gunmetal”, <https://www.amazon.com/dp/B074Z51MBW>, Earliest review date of Sep. 24, 2017, Downloaded on Dec. 18, 2018.

“Spigen Neo Hybrid Crystal iPhone X Case with Clear Hard Casing and Reinforced Hard Bumper Frame for Apple Phone X (2017)—Satin Silver”, <https://www.amazon.com/dp/B074CMZ6YV>, Earliest review date of Oct. 5, 2017, Downloaded on Dec. 18, 2018.

“Spigen Neo Hybrid Lg V30 Case / V30S / V30 Plus Case Herringbone with Flexible Inner Protection and Reinforced Hard Bumper Frame for LG V30 (2017)—Satin Silver”, <https://www.amazon.com/dp/B072QZTQWC>, Earliest review date of Oct. 6, 2017, Downloaded on Dec. 18, 2018.

“Spigen Neo Hybrid iPhone X Case Herringbone with Flexible Inner Protection and Reinforced Hard Bumper Frame for Apple iPhone X (2017)—Black & Gunmetal”, <https://www.amazon.com/dp/B074CMNSXV>, Earliest review date of Oct. 20, 2017, Downloaded on Dec. 17, 2018.

“Caseology Wavelength for Galaxy S6 Case (2015)—Stylish Grip Design—Navy Blue”, <https://www.amazon.com/dp/B00TECWTK>, Earliest review date of Apr. 11, 2015, Downloaded on Oct. 17, 2019.

“Skylink Man—Case for Samsung Galaxy S5 Flexible Hardshell Kate Spade New York Case—Diagonal Stripe”, <https://www.amazon.com/dp/B00USDONRK>, Earliest review date of May 17, 2015, Downloaded on Jun. 4, 2020.

“Caseology Wavelength Series Textured Pattern Grip Cover Case for Samsung Galaxy S6 Edge—Standard Packaging—Navy Blue”, <https://www.amazon.com/dp/B00W65W442>, Earliest review date of Jun. 2, 2015, Downloaded on Oct. 17, 2019.

“Caseology Wavelength for Apple iPhone 6S Plus Case (2015) / for iPhone 6 Plus Case (2014)—Navy Blue”, <https://www.amazon.com/dp/B01GUKEALS>, Earliest review date of Sep. 10, 2015, Downloaded on Oct. 17, 2019.

“Caseology Wavelength for Apple iPhone 6S Case (2015) / for iPhone 6 Case (2014)—Navy Blue”, <https://www.amazon.com/dp/B013VPPJEM>, Earliest review date of Sep. 12, 2015, Downloaded on Oct. 17, 2019.

“Caseology Wavelength for Samsung Galaxy Note 5 Case (2017)—Navy Blue”, <https://www.amazon.com/dp/B011AO1D1Y>, Earliest review date of Sep. 14, 2015, Downloaded on Oct. 17, 2019.

“Caseology Wavelength Series Textured Pattern Grip Cover for iPhone 6S Plus and iPhone 6 Plus—Coral Pink”, <https://www.amazon.com/dp/B013W2CABE>, Earliest review date of Sep. 20, 2015, Downloaded on Oct. 17, 2019.

“Caseology Wavelength for LG G5 Case (2016)—Stylish Grip Design—Navy Blue”, <https://www.amazon.com/dp/B01BEH1QSW>, Earliest review date of Feb. 10, 2016, Downloaded on Oct. 17, 2019.

“Caseology Wavelength for Samsung Galaxy S7 Case (2016)—Navy Blue/Gold”, <https://www.amazon.com/dp/B019PBJB22>, Earliest review date of Mar. 5, 2016, Downloaded on Oct. 17, 2019.

“iPhone 7 Case, Caseology [Wavelength Series] Textured Pattern Grip Cover [Burgundy] [Shock Proof] for Apple iPhone 7 (2016)—Burgundy”, <https://www.amazon.com/dp/B01JSZNVBC>, Earliest review date of Sep. 4, 2016, Downloaded on Aug. 8, 2018.

“Caseology Wavelength for Apple iPhone 8 Plus Case (2017) / for iPhone 7 Plus Case (2016)—Stylish Grip Design—Navy Blue”, <https://www.amazon.com/dp/B01KKWGNL2>, Earliest review date of Sep. 9, 2016, Downloaded on Aug. 8, 2018.

“Caseology Wavelength for Apple iPhone 8 Case (2017) / for iPhone 7 Case (2016)—Stylish Grip Design—Black/Deep Blue”, <https://www.amazon.com/dp/B01JSZNM5M>, Earliest review date of Sep. 16, 2016, Downloaded on Aug. 8, 2018.

“Tendlin Compatible with iPhone Xs Case/iPhone X Case Wood Grain with Carbon Fiber Texture Design Leather Hybrid Slim Case Compatible with iPhone X and iPhone Xs”, <https://www.amazon.com/DP/B07S462Q6G>, Earliest review date of Feb. 7, 2019, Downloaded on Jun. 4, 2020.

* cited by examiner

Primary Examiner — Susan E Krakower
Assistant Examiner — L. A. Grabenstetter
(74) *Attorney, Agent, or Firm* — Heedong Chae; Lucem,
PC

(57) **CLAIM**

The ornamental design for a case for electronic communications device, as shown and described.

DESCRIPTION

FIG. 1 is a front perspective view of a case for electronic communications device showing my new design;
FIG. 2 is a rear perspective view thereof;
FIG. 3 is a front elevational view thereof;
FIG. 4 is a rear elevational view thereof;
FIG. 5 is a left side elevational view thereof;
FIG. 6 is a right side elevational view thereof;
FIG. 7 is a top plan view thereof;
FIG. 8 is a bottom plan view thereof;
FIG. 9 is a front perspective view showing the inner shell component of the case in isolation;
FIG. 10 is a rear perspective view showing the inner shell component of the case in isolation;
FIG. 11 is a front perspective view showing the outer frame component of the case in isolation;
FIG. 12 is a rear perspective view showing the outer frame component of the case in isolation;

FIG. 13 is an exploded front perspective view showing the components of the case separated for clarity of disclosure; FIG. 14 is an exploded rear perspective view showing the components of the case separated for clarity of disclosure; FIG. 15 is an enlarged detail view of the encircled region of FIG. 2;
FIG. 16 is an enlarged detail view of the encircled region of FIG. 4; and,
FIG. 17 is a cross-sectional view of the case for electronic communications device taken along the line 17-17 of FIG. 4.

Although the case for electronic communications device in which the claimed design is embodied comprises an inner shell and an outer frame, the claim is directed to the ornamental appearance of the case in its entirety and does not extend to the ornamental appearance of each of the individual components of the case in isolation.

The dash-dot broken line circle in FIGS. 2 and 4 delineates a portion of the case for electronic communications device that is part of the claimed design and that is shown on an enlarged scale in FIG. 15 and FIG. 16.

The dashed broken lines throughout the drawing figures depict portions of the case for electronic communications device that form no part of the claimed design. The broken lines and regions bounded by broken lines form no part of the claimed design.

1 Claim, 17 Drawing Sheets

FIG. 1

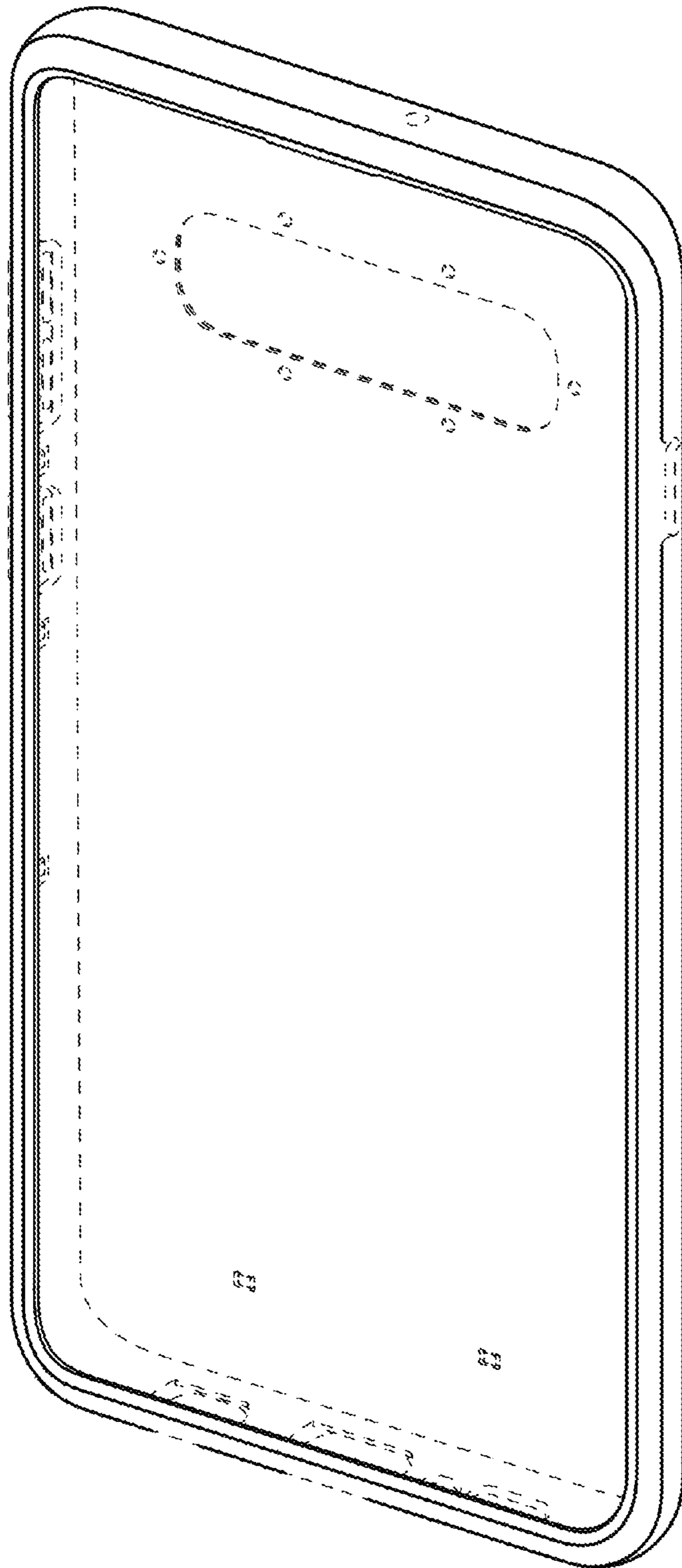


FIG. 2

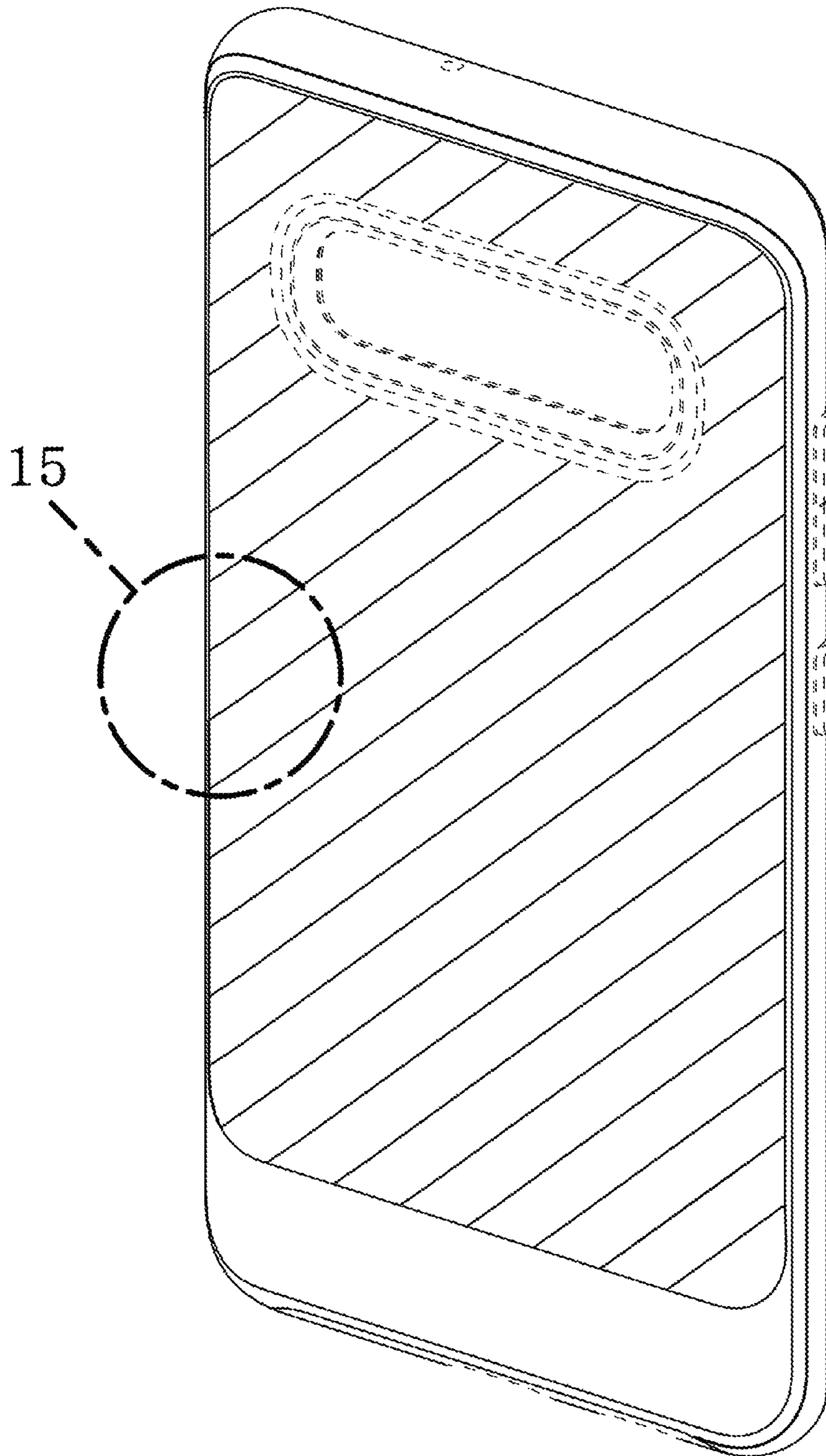


FIG. 3

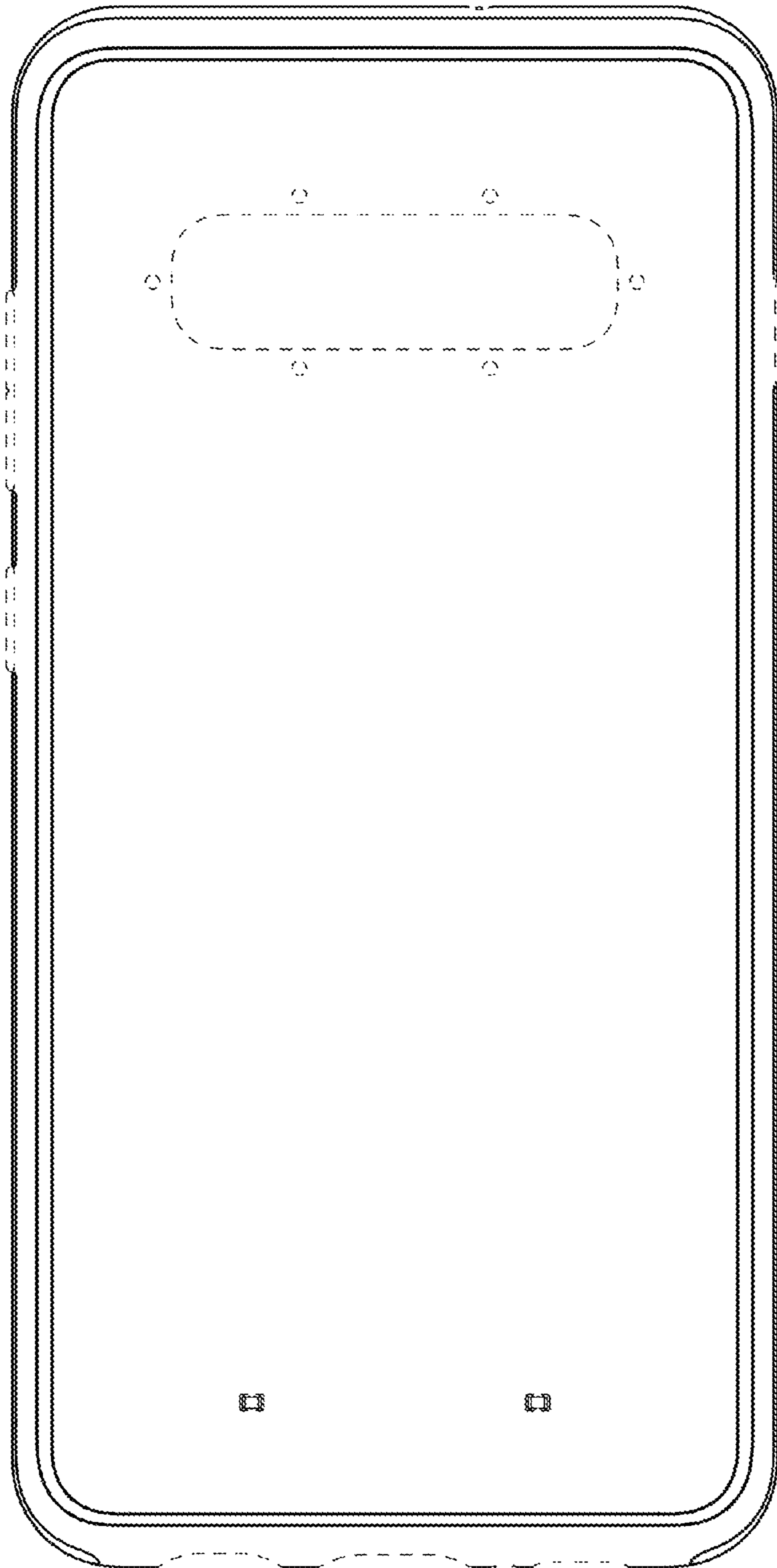


FIG. 4

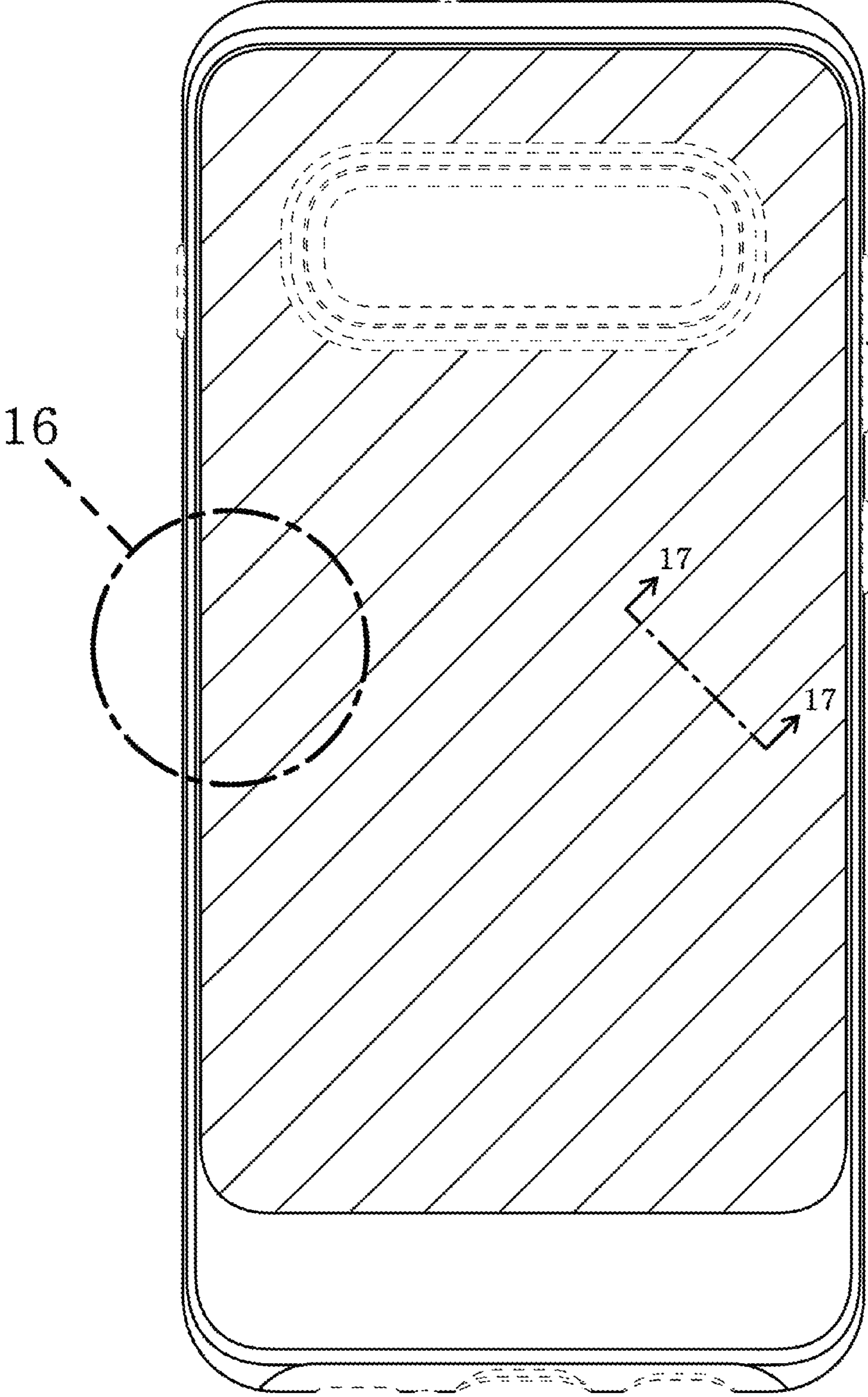


FIG. 5

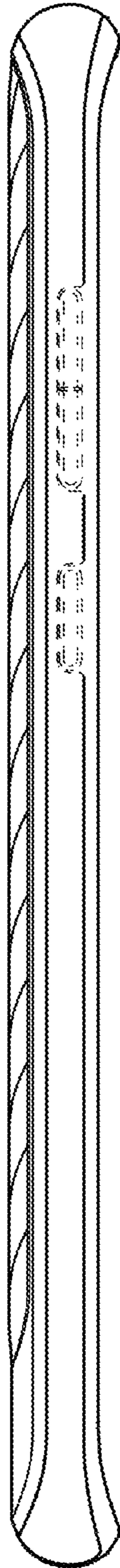


FIG. 6



FIG. 7

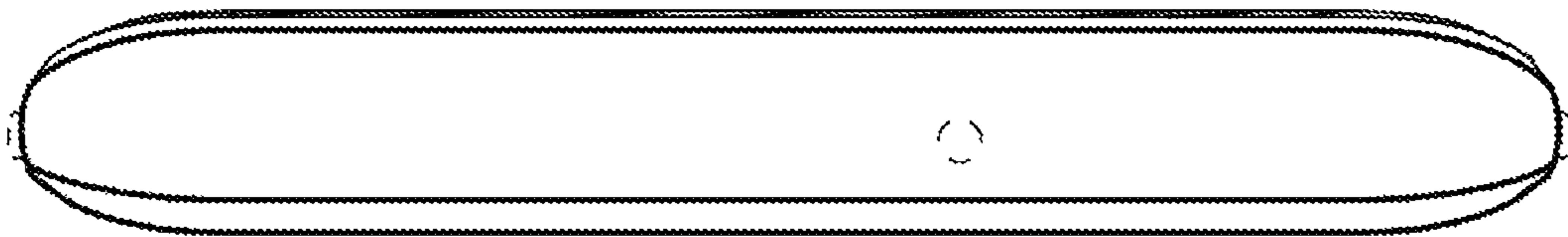


FIG. 8

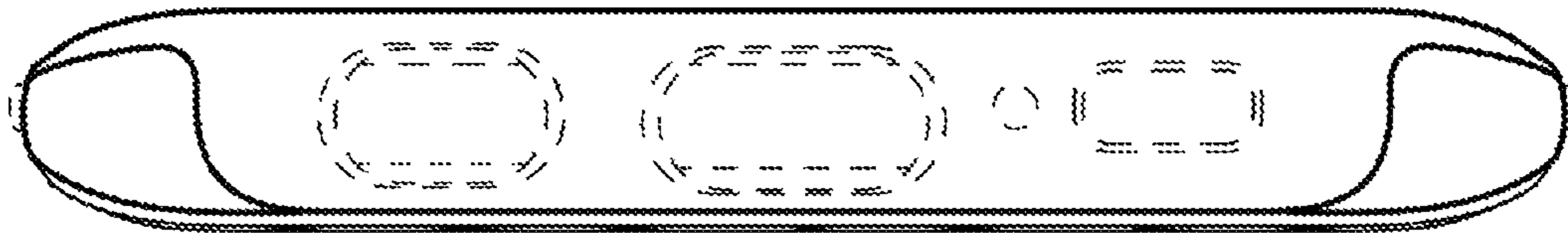


FIG. 9

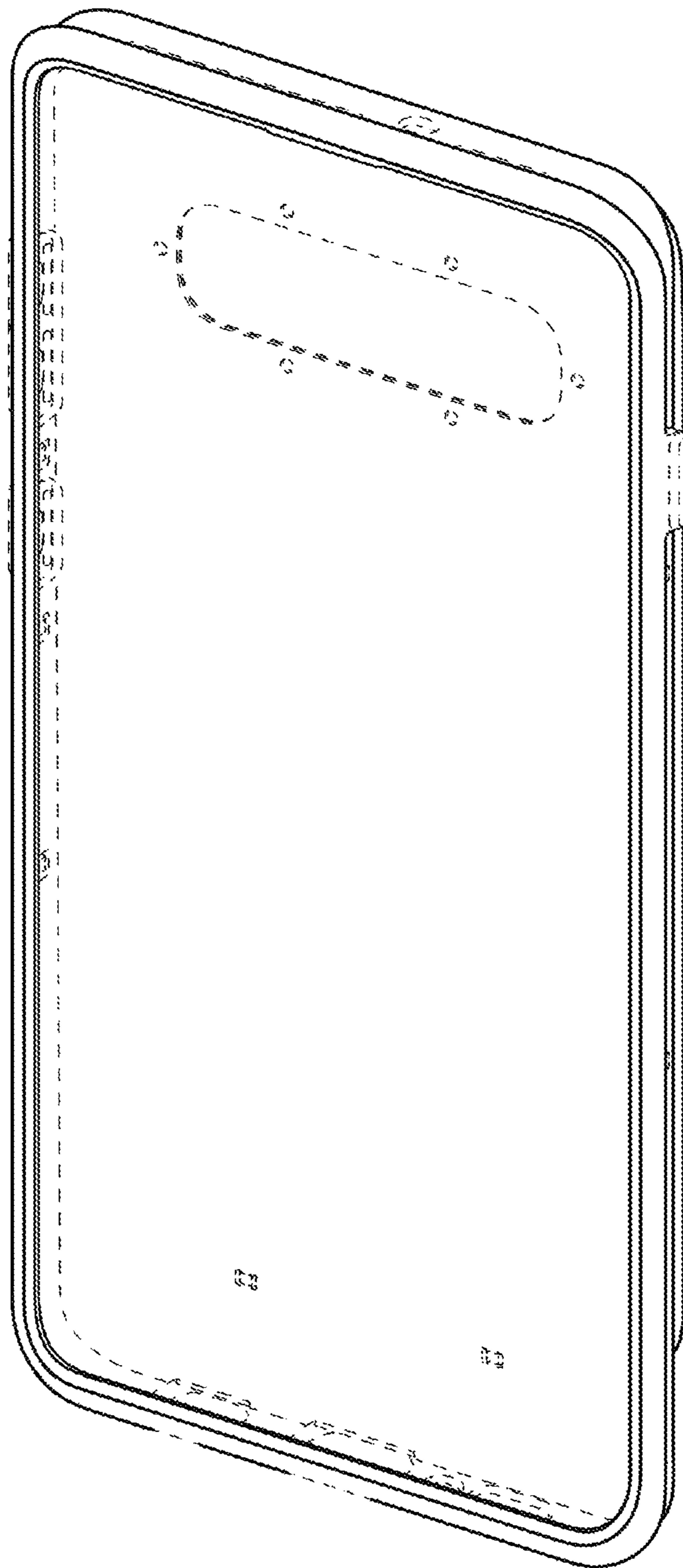


FIG. 10

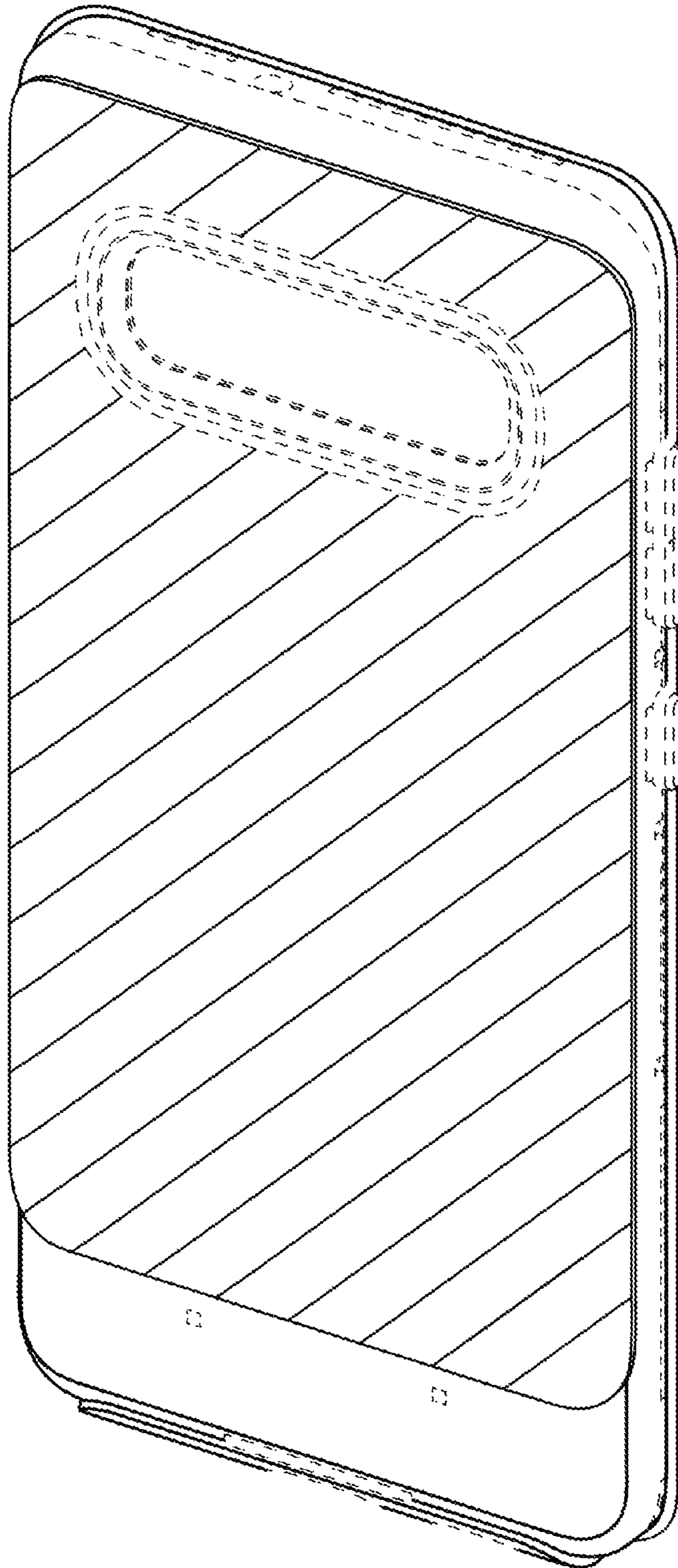


FIG. 11

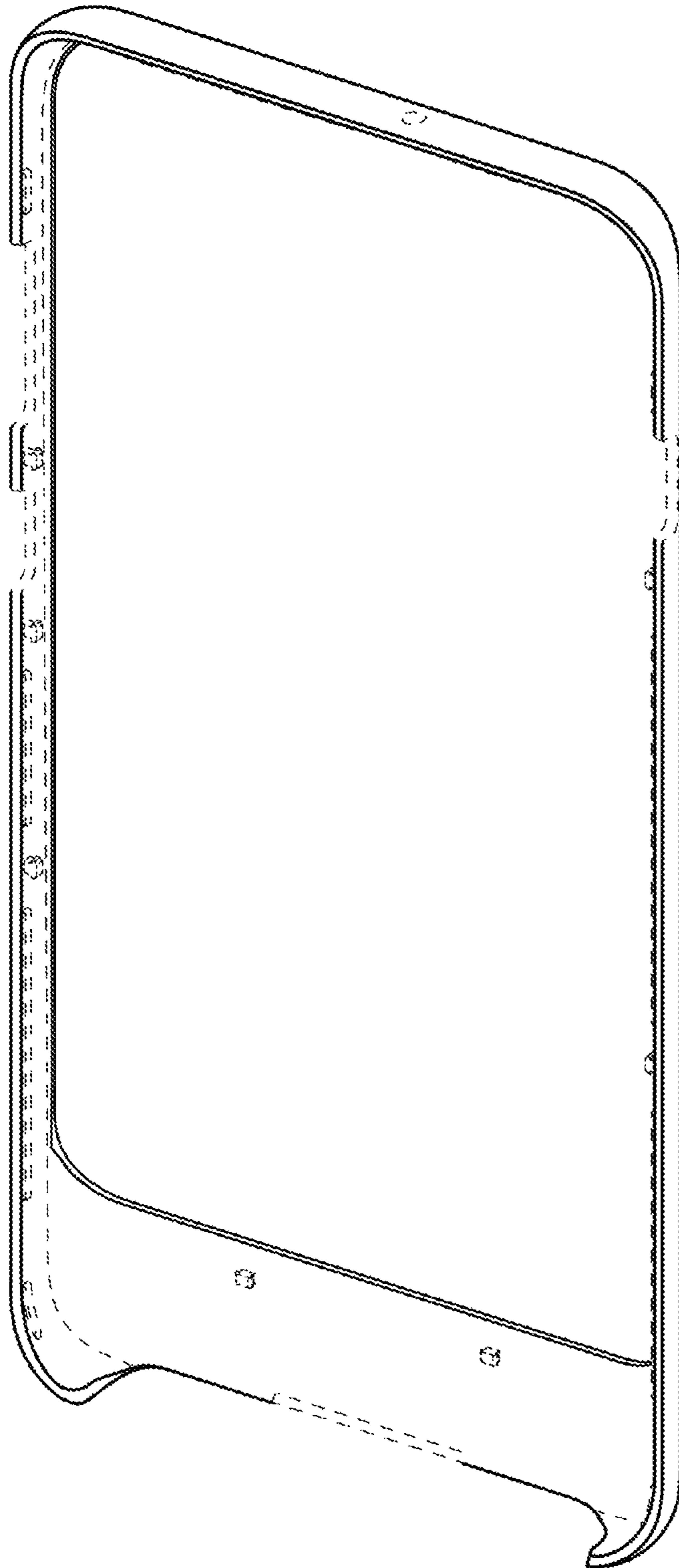


FIG. 12

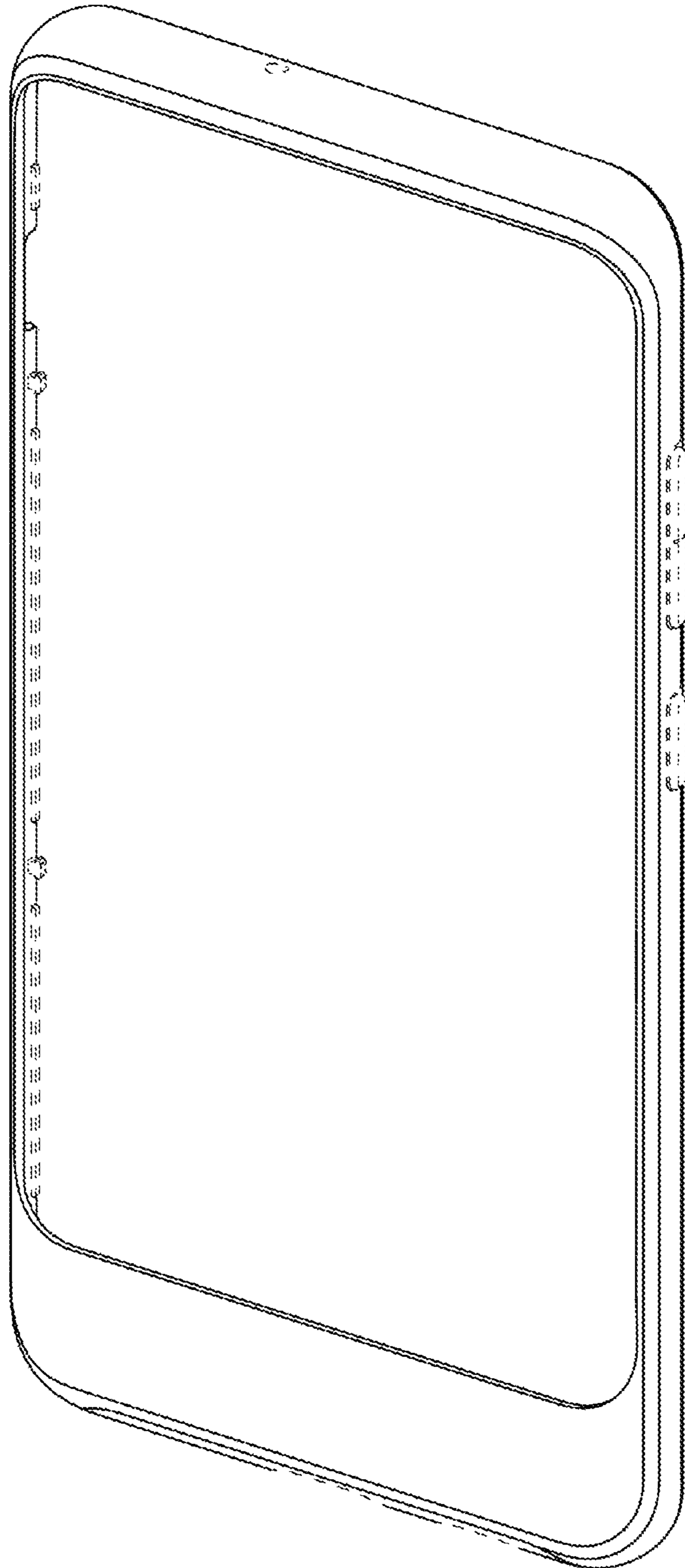


FIG. 13

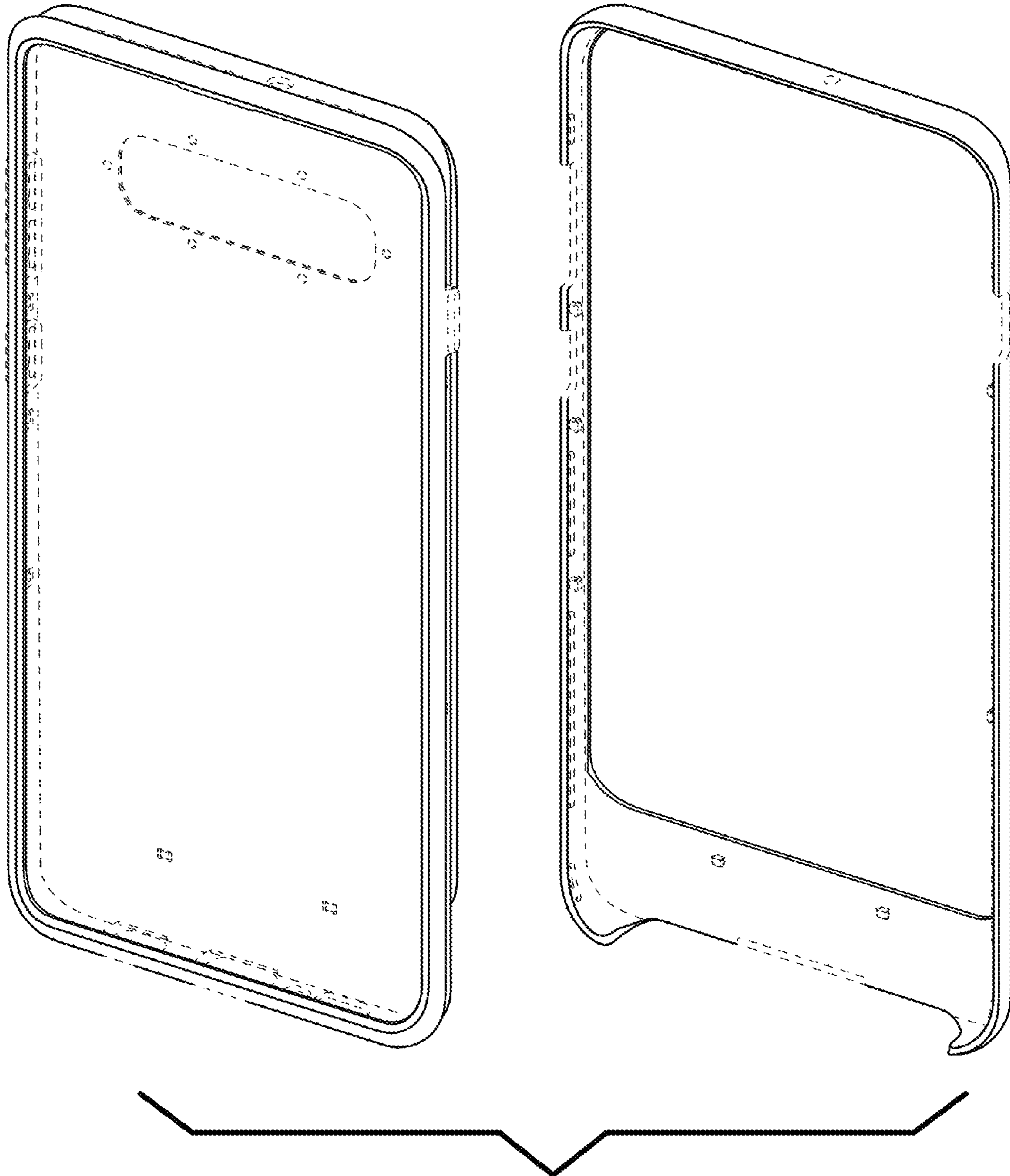


FIG. 14

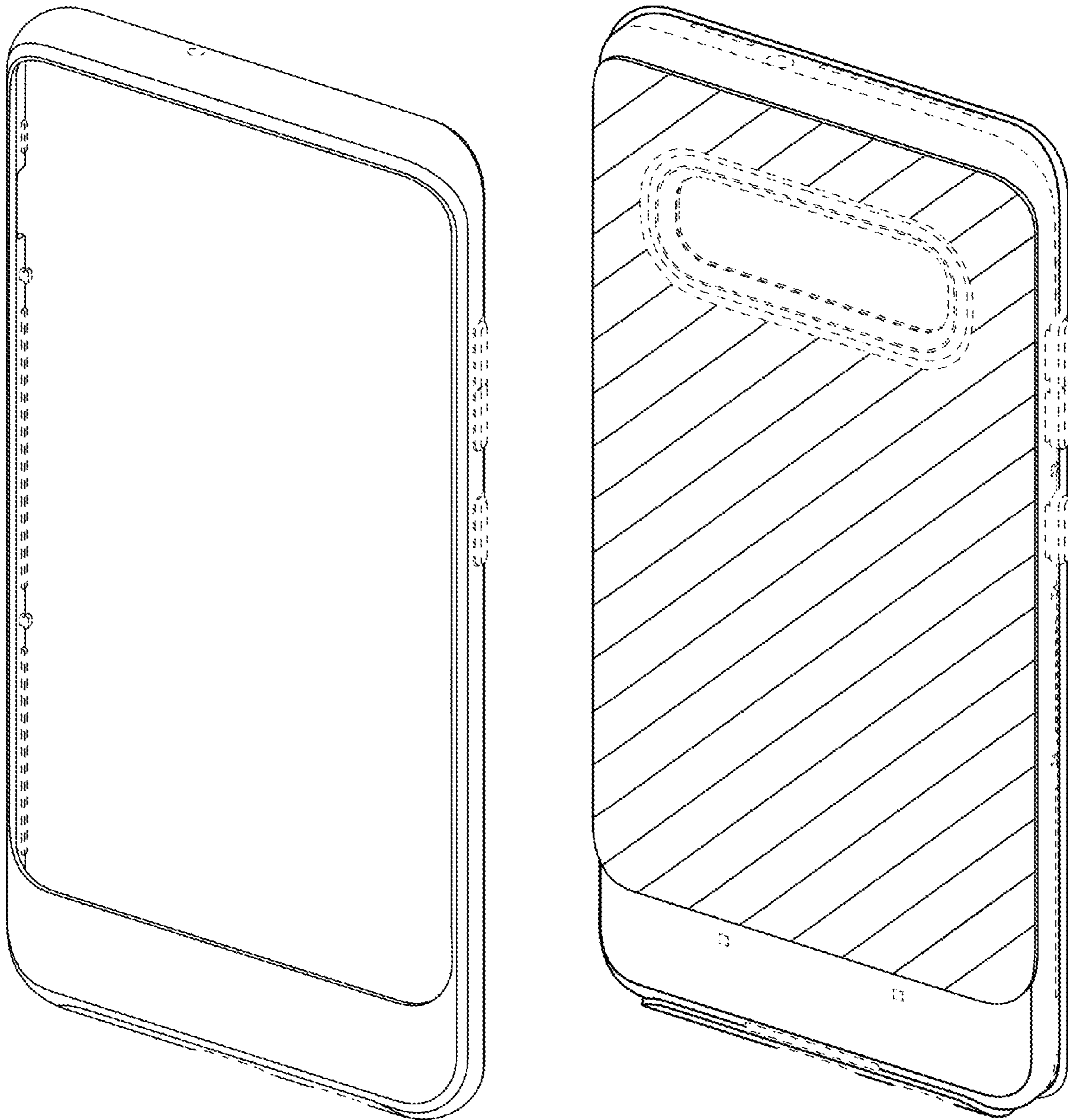


FIG. 15

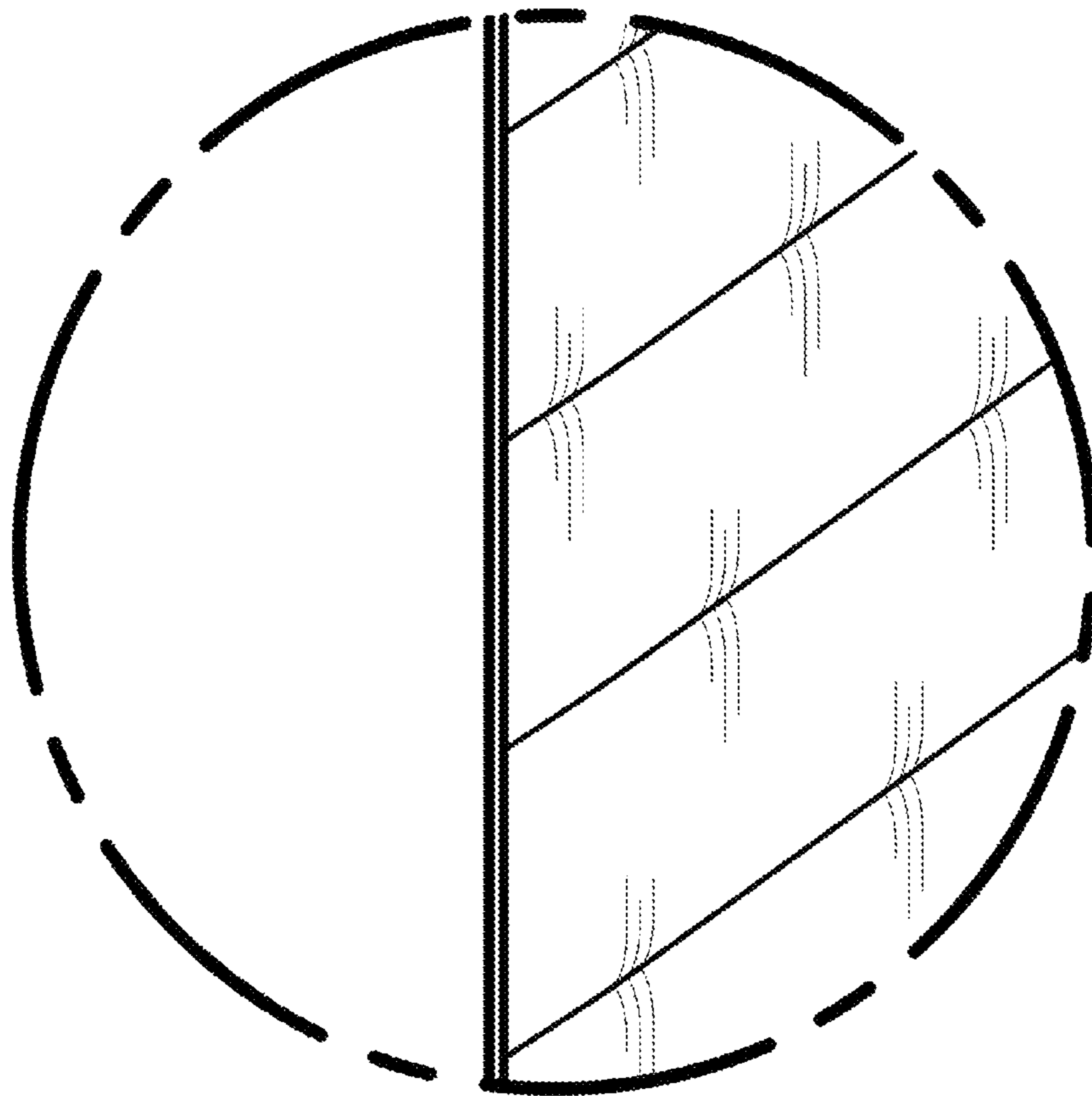


FIG. 16

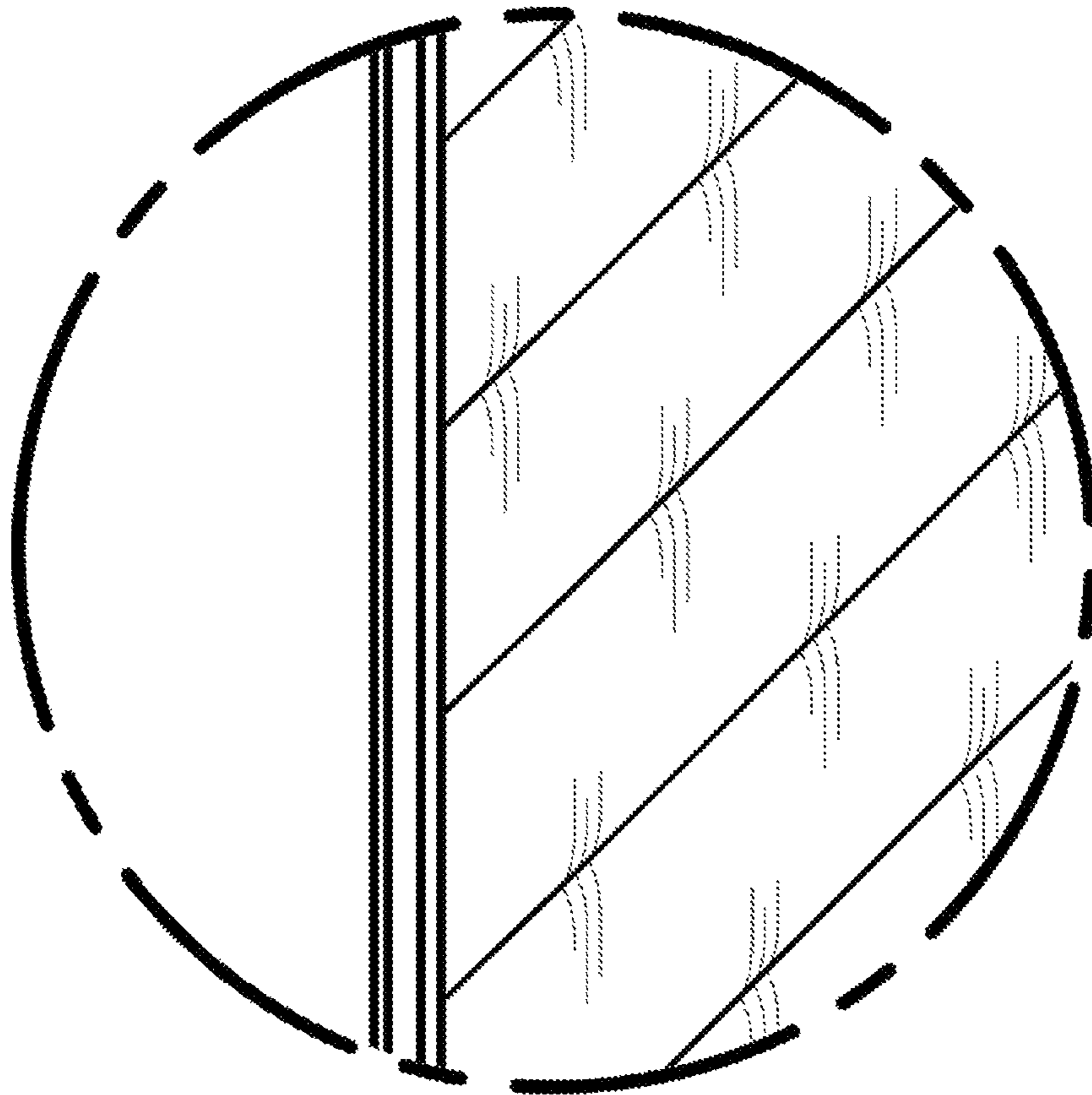


FIG. 17

