



US00D901471S

(12) **United States Design Patent** (10) **Patent No.:** **US D901,471 S**  
**Siminoff et al.** (45) **Date of Patent:** **\*\* \*Nov. 10, 2020**

(54) **NETWORK EXTENDER**

88/16; H04W 88/18; H04W 4/00; H01Q 1/02; H01Q 1/2291; H01Q 1/246; H04B 1/38

(71) Applicant: **AMAZON TECHNOLOGIES, INC.**,  
Seattle, WA (US)

See application file for complete search history.

(72) Inventors: **Mark Siminoff**, Mountain View, CA (US); **Peter Gerstberger**, Laguna Niguel, CA (US); **Spiro Sacre**, Los Angeles, CA (US); **Christopher Loew**, Palo Alto, CA (US); **Andrew L. Russell**, Philadelphia, PA (US); **James Siminoff**, Pacific Palisades, CA (US)

(56)

**References Cited**

U.S. PATENT DOCUMENTS

D186,945 S	12/1959	Smith	
D265,299 S	7/1982	Jaretsky	
D282,654 S *	2/1986	Perry .....	D14/240
D305,639 S	1/1990	Miki et al.	
D315,718 S	3/1991	Luu	
D318,849 S	8/1991	Luu	
D327,887 S	7/1992	Pushelberg et al.	
D336,302 S	6/1993	Kwang et al.	
D339,077 S	9/1993	Chretien	
D344,905 S	3/1994	Issa	
D347,593 S *	6/1994	Davis .....	D10/104.1
D347,703 S *	6/1994	Ham .....	D26/26
D351,841 S	10/1994	Blankenship et al.	
D352,275 S	11/1994	Crawley	
5,383,799 A *	1/1995	Fladung .....	H01R 25/006 439/108
D355,196 S	2/1995	Nakamura	
D356,776 S	3/1995	Yoshii	
D357,285 S	4/1995	Feng	
D364,618 S	11/1995	Somoza	
D367,859 S	3/1996	Beaumont et al.	
5,548,643 A	8/1996	Dalgleish et al.	
D377,339 S	1/1997	Beruscha et al.	
D393,084 S *	3/1998	Hergert .....	D26/26
D398,304 S	9/1998	Murray et al.	
D403,656 S	1/1999	Ichikawa	
D405,766 S	2/1999	Hartel	
D414,774 S	10/1999	Gauffin	
D417,187 S	11/1999	Maeyama	
D418,074 S	12/1999	Hicks et al.	
D421,018 S *	2/2000	Ashkenazi .....	D14/146
D429,238 S	8/2000	Kolinen	
D432,982 S	10/2000	Miyashita	
D439,217 S	3/2001	Melnicoff	
D441,743 S *	5/2001	Uehara .....	D14/125
D454,873 S *	3/2002	Clark .....	D14/358
D460,452 S	7/2002	Yoshie	
D468,732 S *	1/2003	Zdinak .....	D14/240
D489,337 S	5/2004	Murray	
D492,262 S	6/2004	Murray	
D494,952 S	8/2004	Taniguchi	
D497,878 S	11/2004	Koo	
D520,991 S *	5/2006	Ma .....	D14/240

(73) Assignee: **Amazon Technologies, Inc.**, Seattle, WA (US)

(\*) Notice: This patent is subject to a terminal disclaimer.

(\*\*) Term: **15 Years**

(21) Appl. No.: **29/700,575**

(22) Filed: **Aug. 2, 2019**

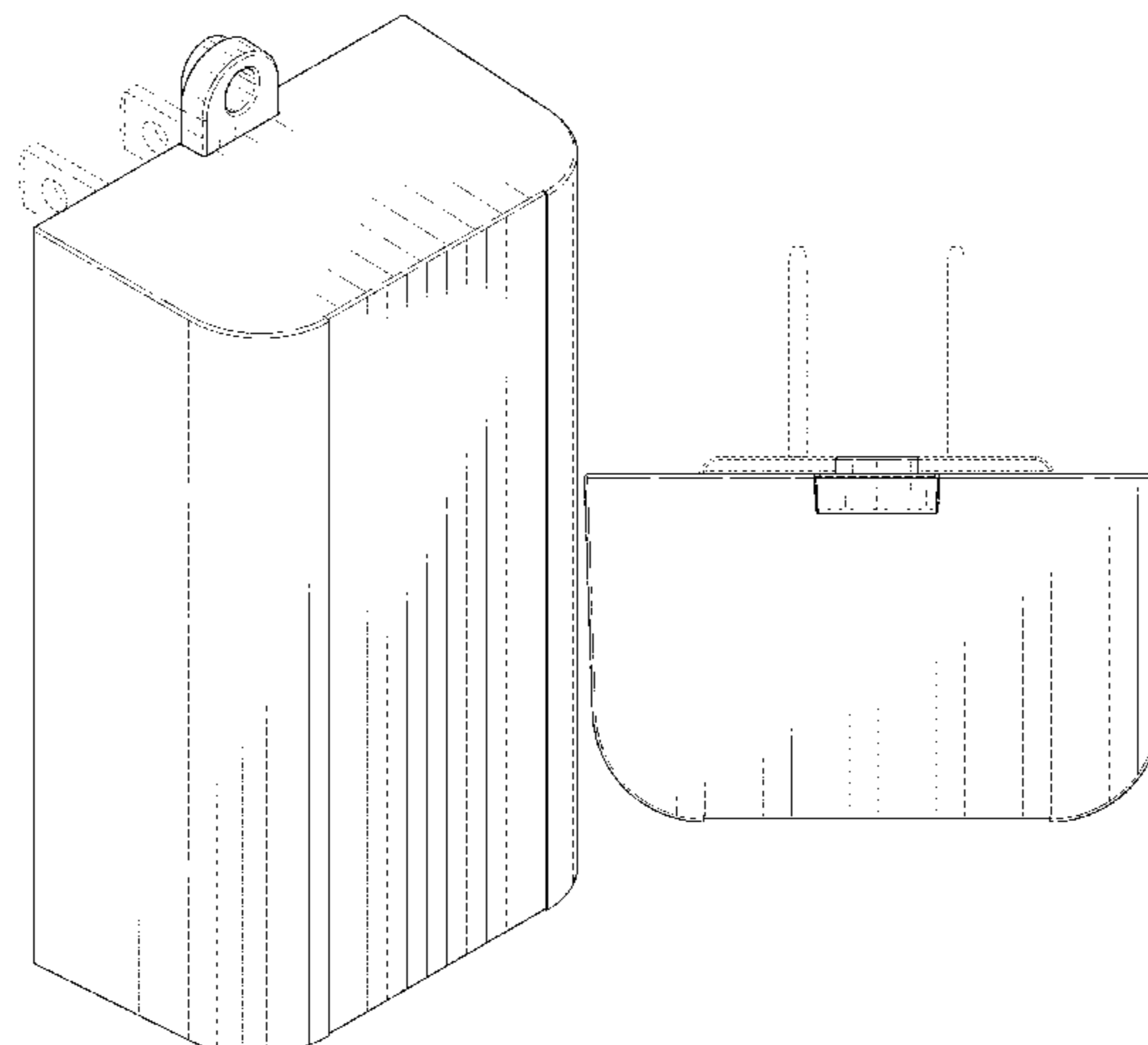
**Related U.S. Application Data**

(63) Continuation of application No. 29/617,868, filed on Sep. 15, 2017, now Pat. No. Des. 860,176.

(51) **LOC (12) Cl.** ..... **14-03**

(52) **U.S. Cl.**  
USPC ..... **D14/240; D14/358**

(58) **Field of Classification Search**  
USPC ..... D14/356, 357, 358, 367, 240, 242, 299, D14/140, 140.1, 140.4, 140.6, 155, 168, D14/188, 195, 348, 351, 388, 433, 496, D14/142, 230; D13/103, 107, 108, 110, D13/123, 137.1, 137.2, 137.3, 139.1, 152, D13/158.159, 162, 184, 199; D10/104.1, D10/106.6, 61, 64, 75  
CPC ... H04W 88/08; H04W 88/085; H04W 88/00; H04W 88/005; H04W 88/02; H04W 88/04; H04W 88/12; H04W 88/14; H04W



D521,504 S *	5/2006	Nagel .....	D14/240
D535,279 S	1/2007	Krieger et al.	
D541,791 S	5/2007	Shen	
D548,230 S *	8/2007	Lipman .....	D14/240
D549,116 S	8/2007	Rhine et al.	
D565,021 S	3/2008	Wilson	
D565,036 S	3/2008	Ju et al.	
D565,037 S	3/2008	Chun et al.	
D566,685 S	4/2008	Koller et al.	
D573,946 S	7/2008	Ledbetter et al.	
D575,775 S	8/2008	Sekine	
D585,439 S	1/2009	Ching et al.	
D601,551 S	10/2009	Ray et al.	
D604,254 S	11/2009	Lanfear et al.	
D607,416 S	1/2010	Gentner et al.	
D615,045 S	5/2010	Lanfear et al.	
D623,636 S	9/2010	Luonsinen	
D656,936 S	4/2012	Saunders	
D661,697 S	6/2012	Saunders	
D677,223 S	3/2013	Cho	
D680,014 S	4/2013	Corso et al.	
D680,459 S	4/2013	Corso et al.	
D687,068 S *	7/2013	Paradise .....	D14/496
D689,819 S	9/2013	Olsson et al.	
D705,170 S	5/2014	Diehl et al.	
D708,611 S	7/2014	Burmeister-Brown et al.	
D714,753 S	10/2014	Lee et al.	
D724,583 S	3/2015	Ge	
D725,098 S	3/2015	Neumann	
D725,099 S	3/2015	Neumann	
D726,179 S	4/2015	Orthey	
D727,765 S	4/2015	Hoshal	
D771,039 S	11/2016	Windstrup et al.	
D774,003 S	12/2016	Lee et al.	
D783,582 S	4/2017	Moon	
D783,583 S	4/2017	Moon	
D784,969 S	4/2017	MacManus	
D784,970 S	4/2017	MacManus	
D788,061 S	5/2017	Siminoff	
D789,360 S	6/2017	Moon	
D789,361 S	6/2017	Ali et al.	
D789,820 S	6/2017	Siminoff et al.	
D791,767 S	7/2017	Ali et al.	
D793,268 S	8/2017	Ye et al.	
D798,296 S	9/2017	Ali et al.	
D800,695 S	10/2017	Sugiura	
D812,017 S	3/2018	Soney	
D812,590 S	3/2018	Modestine et al.	
D813,199 S	3/2018	Hu	
D813,852 S	3/2018	Ni	
D816,141 S	4/2018	Siminoff et al.	
D817,208 S	5/2018	Ravat et al.	
D819,476 S	6/2018	Siminoff et al.	
D820,137 S	6/2018	Siminoff et al.	
D820,707 S	6/2018	Siminoff et al.	
D820,708 S	6/2018	Siminoff et al.	
D820,806 S	6/2018	Larsson et al.	
D821,373 S	6/2018	Pera et al.	
D822,518 S	7/2018	Siminoff et al.	
D822,519 S	7/2018	Siminoff et al.	
D822,520 S	7/2018	Siminoff et al.	
D822,651 S	7/2018	Gutteridge et al.	
D829,585 S	10/2018	Siminoff et al.	
D830,871 S	10/2018	Siminoff et al.	
D833,313 S	11/2018	Siminoff et al.	
D837,080 S	1/2019	Siminoff et al.	
D842,847 S *	3/2019	Walliser .....	D14/240
D846,538 S *	4/2019	Wild .....	D14/240
D848,300 S *	5/2019	Siminoff .....	D10/118.2
D848,348 S *	5/2019	Long .....	D12/345
D852,742 S *	7/2019	Li .....	D13/110
D857,677 S *	8/2019	Formica .....	D14/240
D858,904 S *	9/2019	Zinn .....	D30/152
D860,110 S *	9/2019	Long .....	D12/345

D860,176 S *	9/2019	Siminoff .....	D14/240
D866,381 S *	11/2019	Siminoff .....	D10/120
D867,284 S *	11/2019	Lai .....	D13/110
D870,085 S *	12/2019	Zhang .....	D14/243
D870,086 S *	12/2019	Zhang .....	D14/243
2009/0010178 A1	1/2009	Tekippe	
2018/0174413 A1	6/2018	Siminoff	

OTHER PUBLICATIONS

Extenders Converters Adapters Sirens. (Design—© Questel) orbit.com.[online PDF] 41 pgs. Print Dates Range Mar. 13, 2013-Dec. 11, 2018 [Retrieved on Jan. 21, 2019] <https://sobjprd.questel.fr/export/QPTUJ214/pdf2/1f7d65fd-edc7-4fd6-83ba-aae1347fd9b2-154606.pdf>.

Design U.S. Appl. No. 29/617,868 Notice of Allowance dated Apr. 24, 2019, 9 pages.

Design U.S. Appl. No. 29/617,868 Office Action dated Jan. 25, 2019, 12 pages.

\* cited by examiner

*Primary Examiner* — Marie D. Fast Horse

(74) *Attorney, Agent, or Firm* — Lathrop GPM LLP

(57) **CLAIM**

The ornamental design for a network extender, as shown and described.

**DESCRIPTION**

FIG. 1 is a front perspective view of the network extender according to the present design in a first embodiment;

FIG. 2 is a front elevational view of the network extender of FIG. 1;

FIG. 3 is a rear elevational view of the network extender of FIG. 1;

FIG. 4 is a left-side elevational view of the network extender of FIG. 1;

FIG. 5 is a right-side elevational view of the network extender of FIG. 1;

FIG. 6 is a top plan view of the network extender of FIG. 1;

FIG. 7 is a bottom plan view of the network extender of FIG. 1;

FIG. 8 is a front perspective view of the network extender according to the present design in a second embodiment;

FIG. 9 is a front elevational view of the network extender of FIG. 8;

FIG. 10 is a rear elevational view of the network extender of FIG. 8;

FIG. 11 is a left-side elevational view of the network extender of FIG. 8;

FIG. 12 is a right-side elevational view of the network extender of FIG. 8;

FIG. 13 is a top plan view of the network extender of FIG. 8; and,

FIG. 14 is a bottom plan view of the network extender of FIG. 8.

The broken lines showing in the figures illustrate portions of the network extender that form no part of the claimed design.

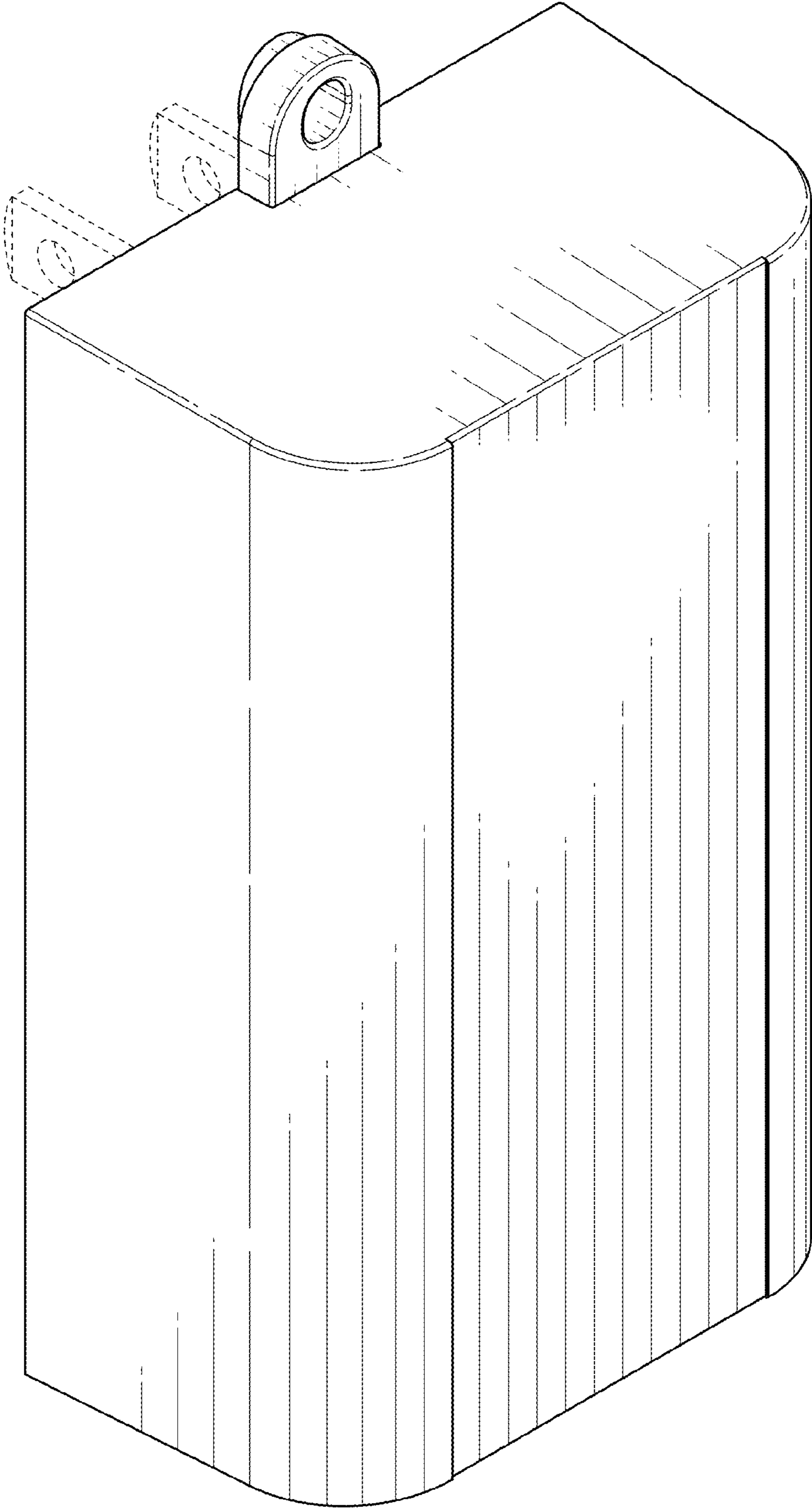


FIG. 1

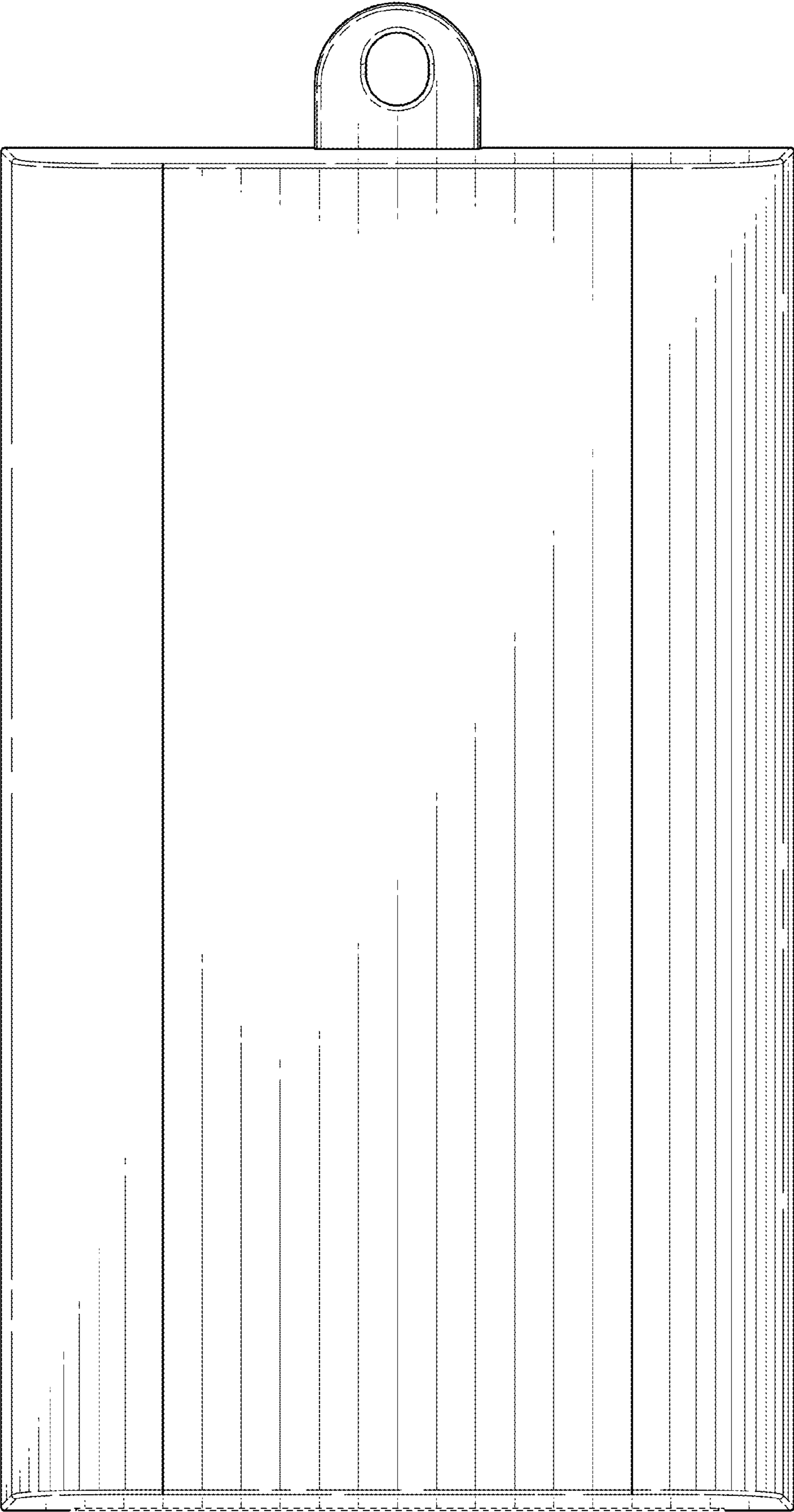


FIG. 2

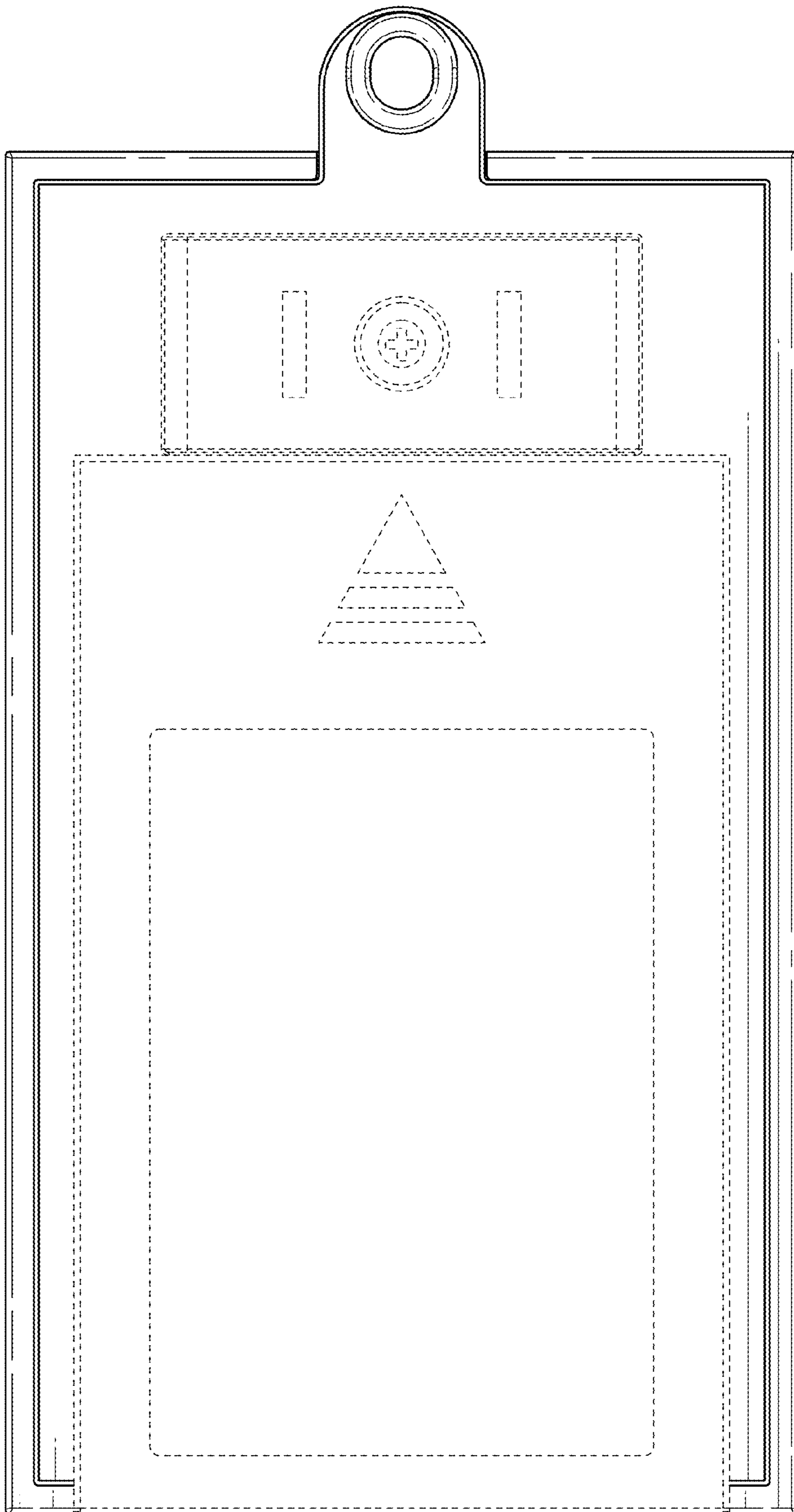


FIG. 3

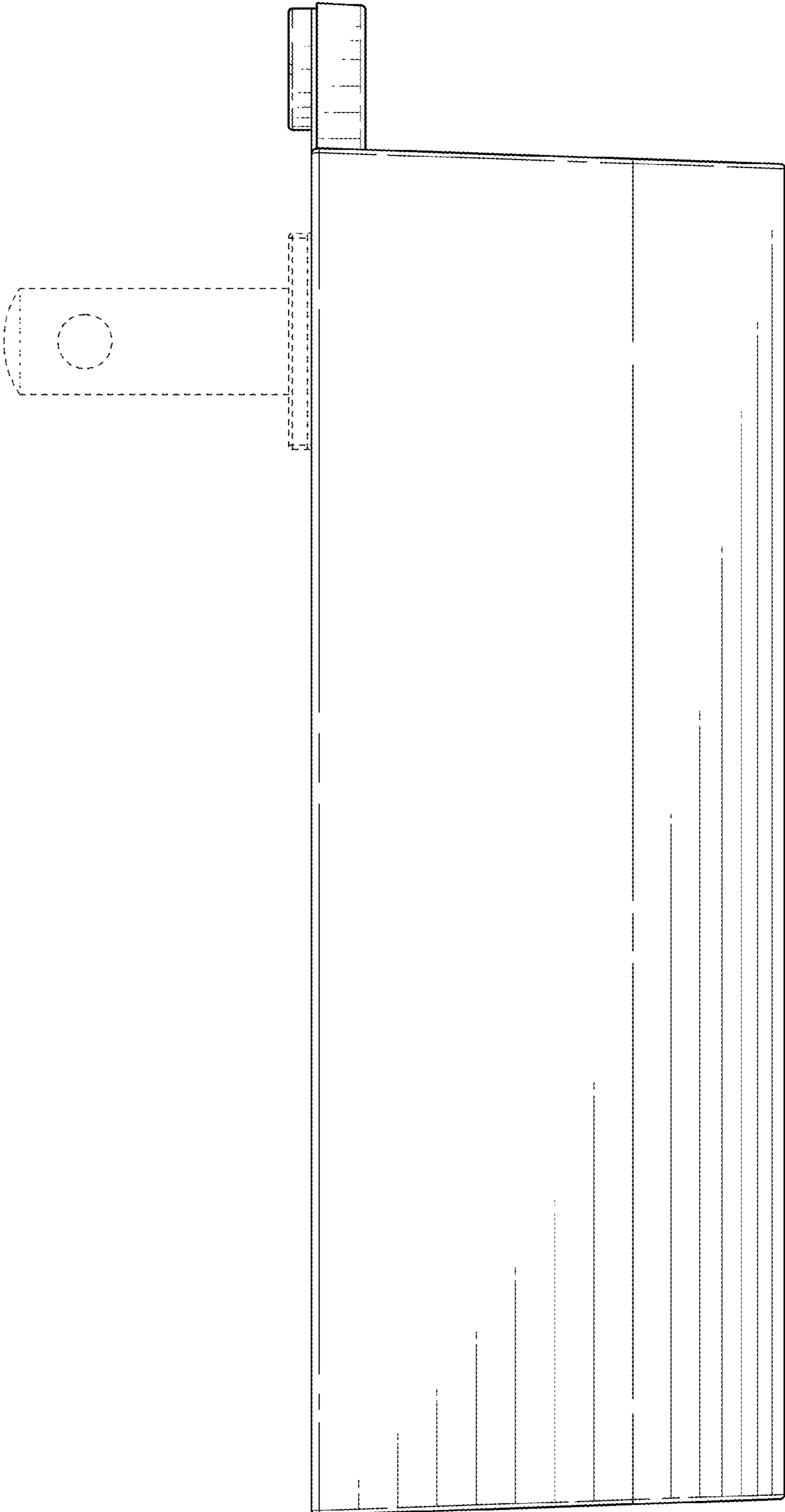


FIG. 4

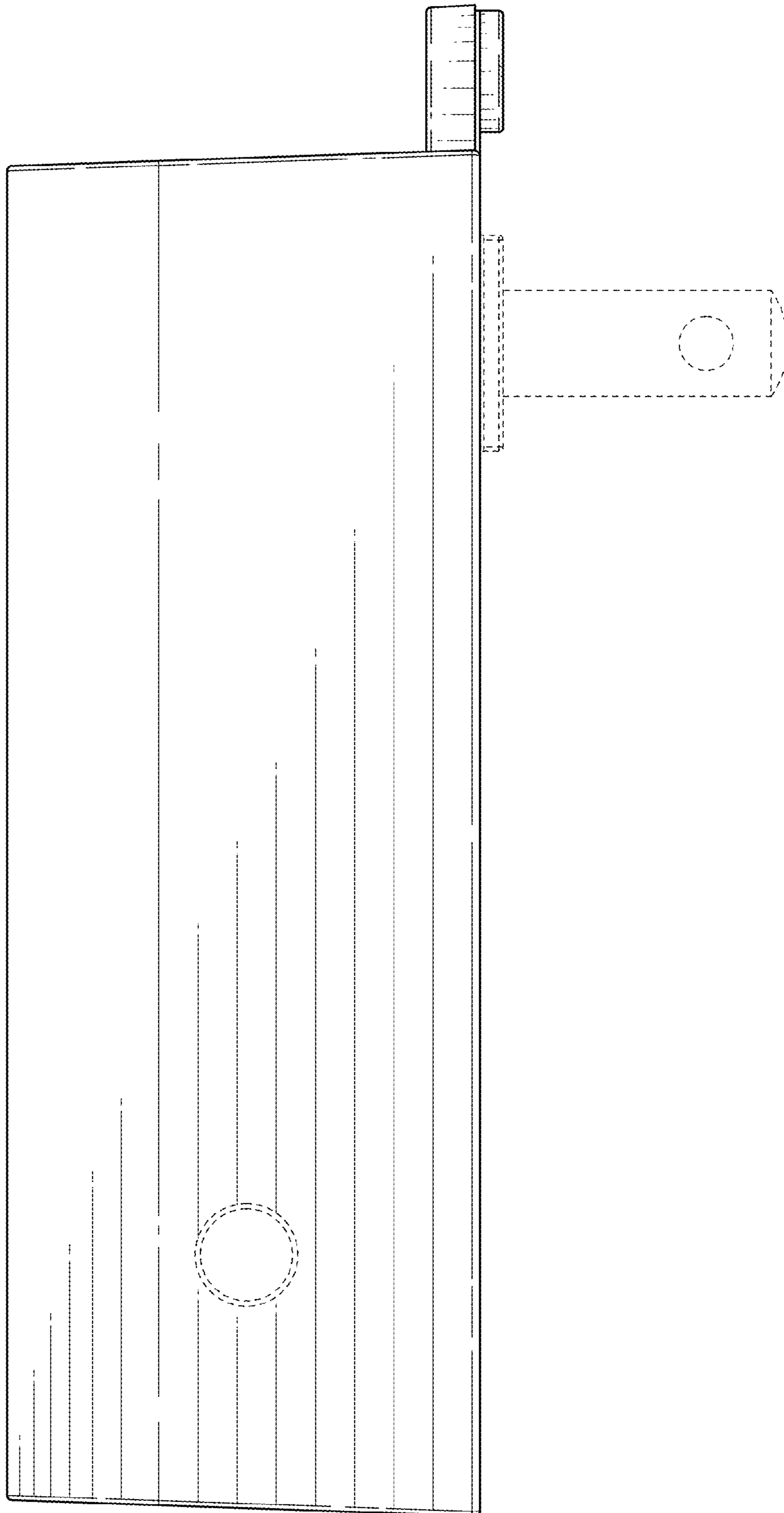


FIG. 5

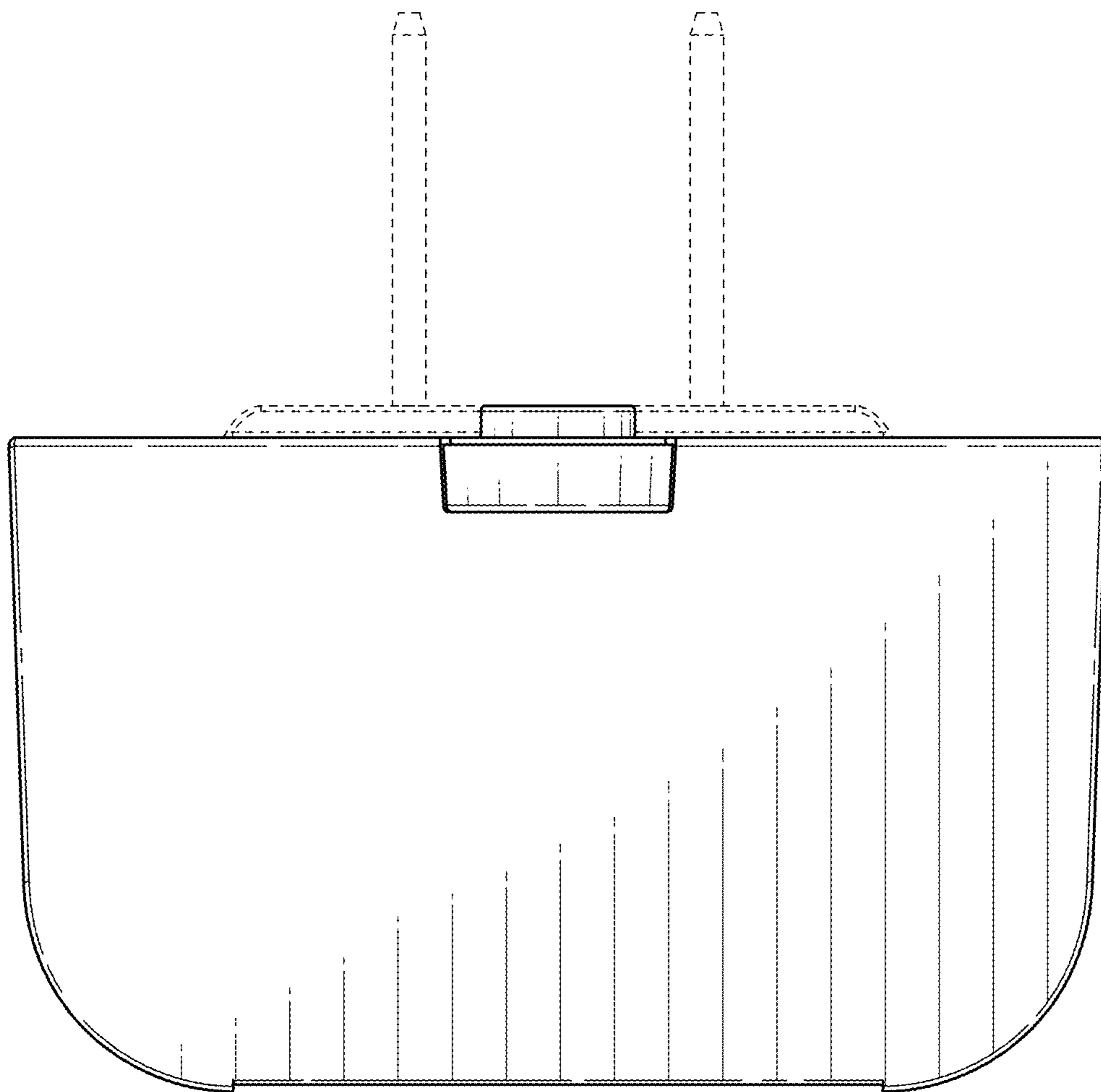


FIG. 6



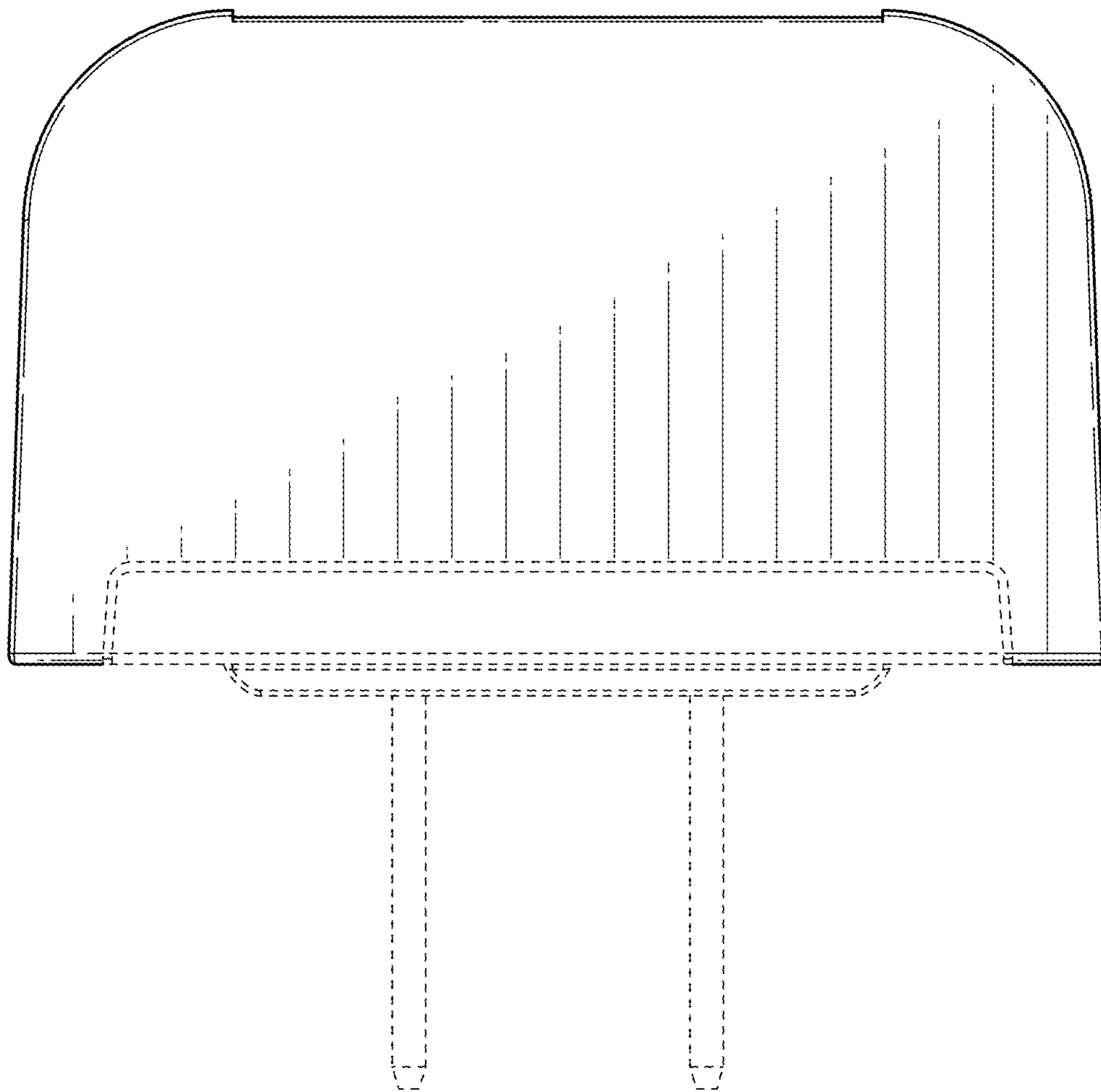


FIG. 7

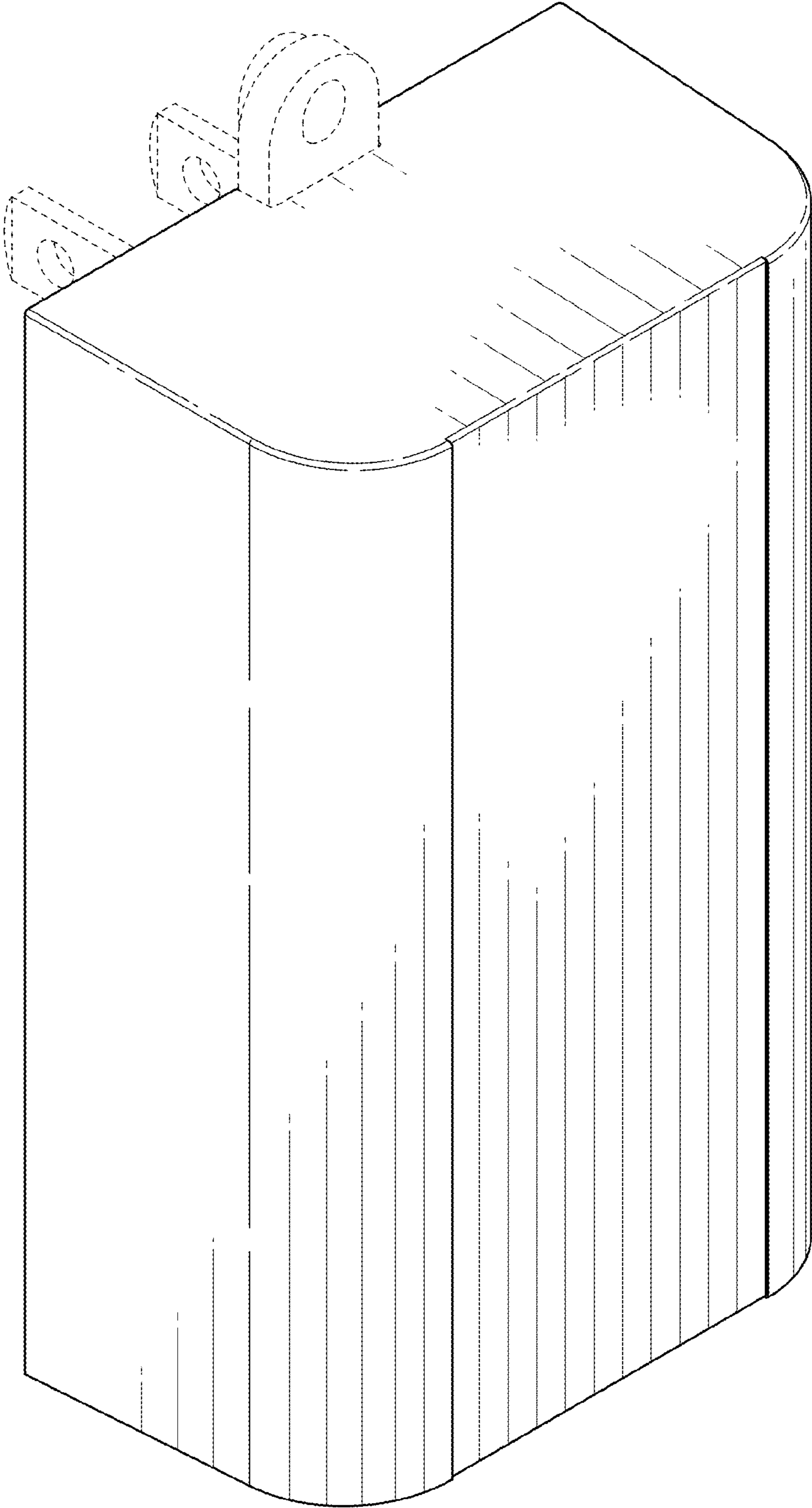


FIG. 8

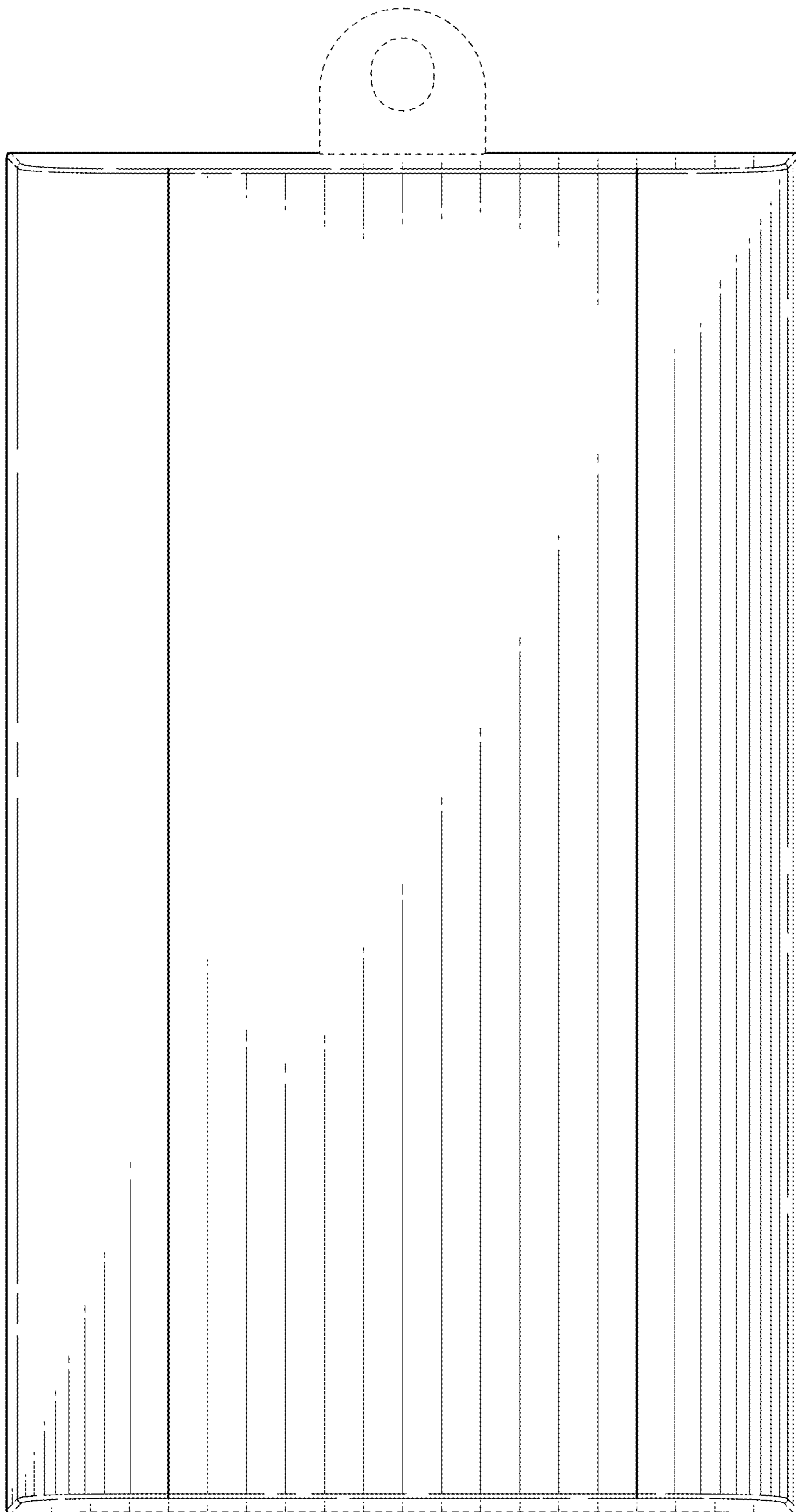


FIG. 9

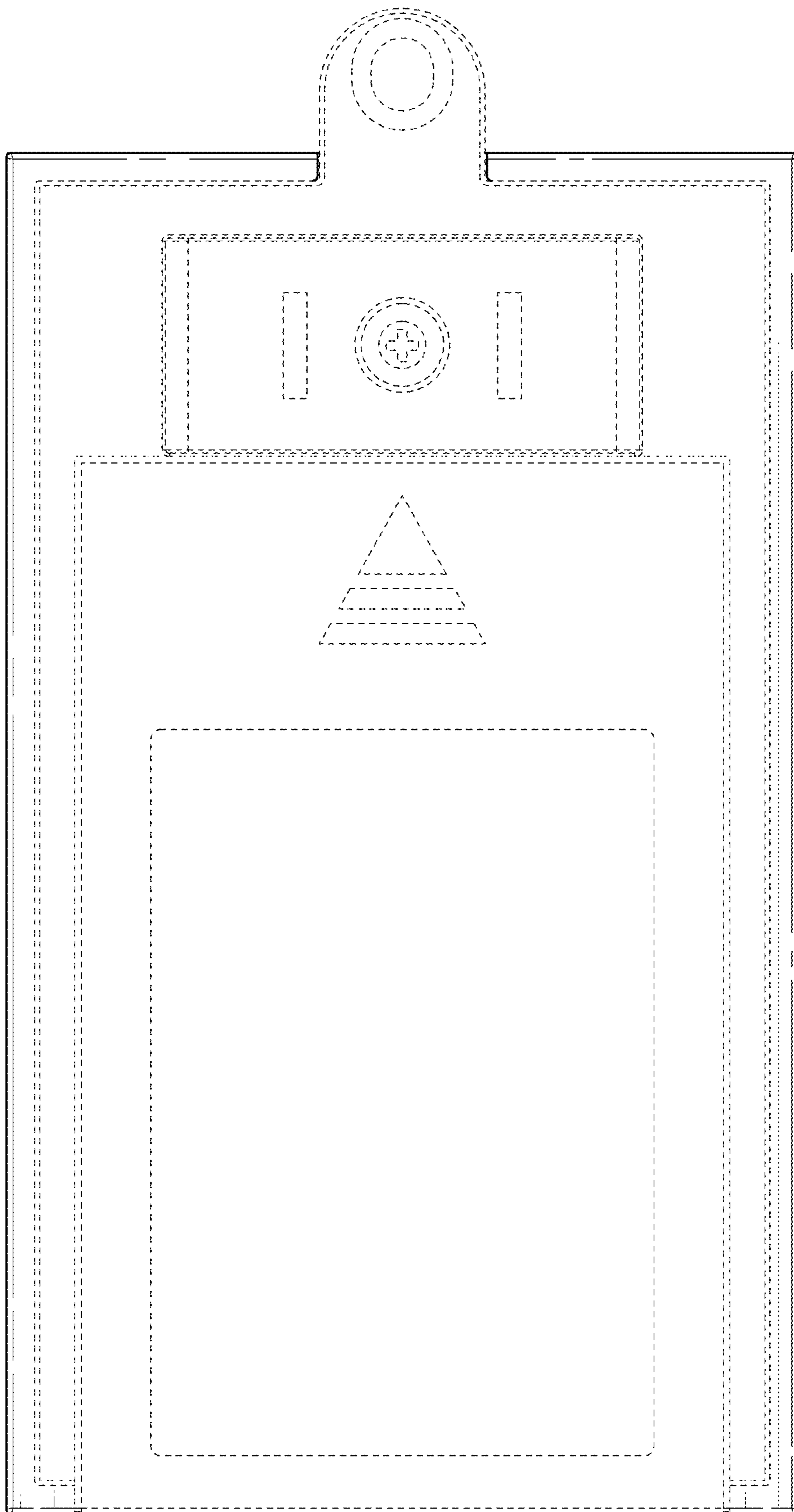


FIG. 10

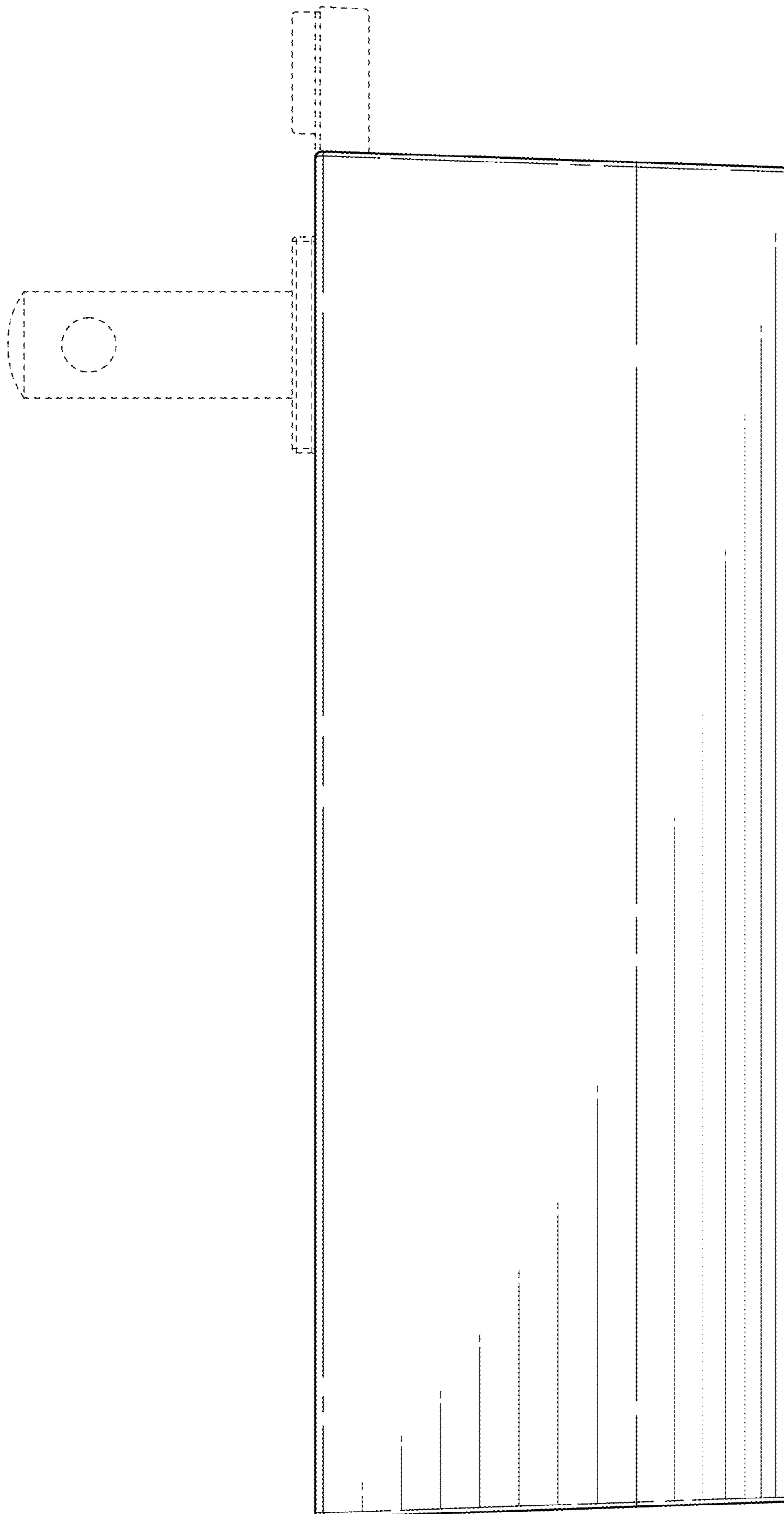


FIG. 11

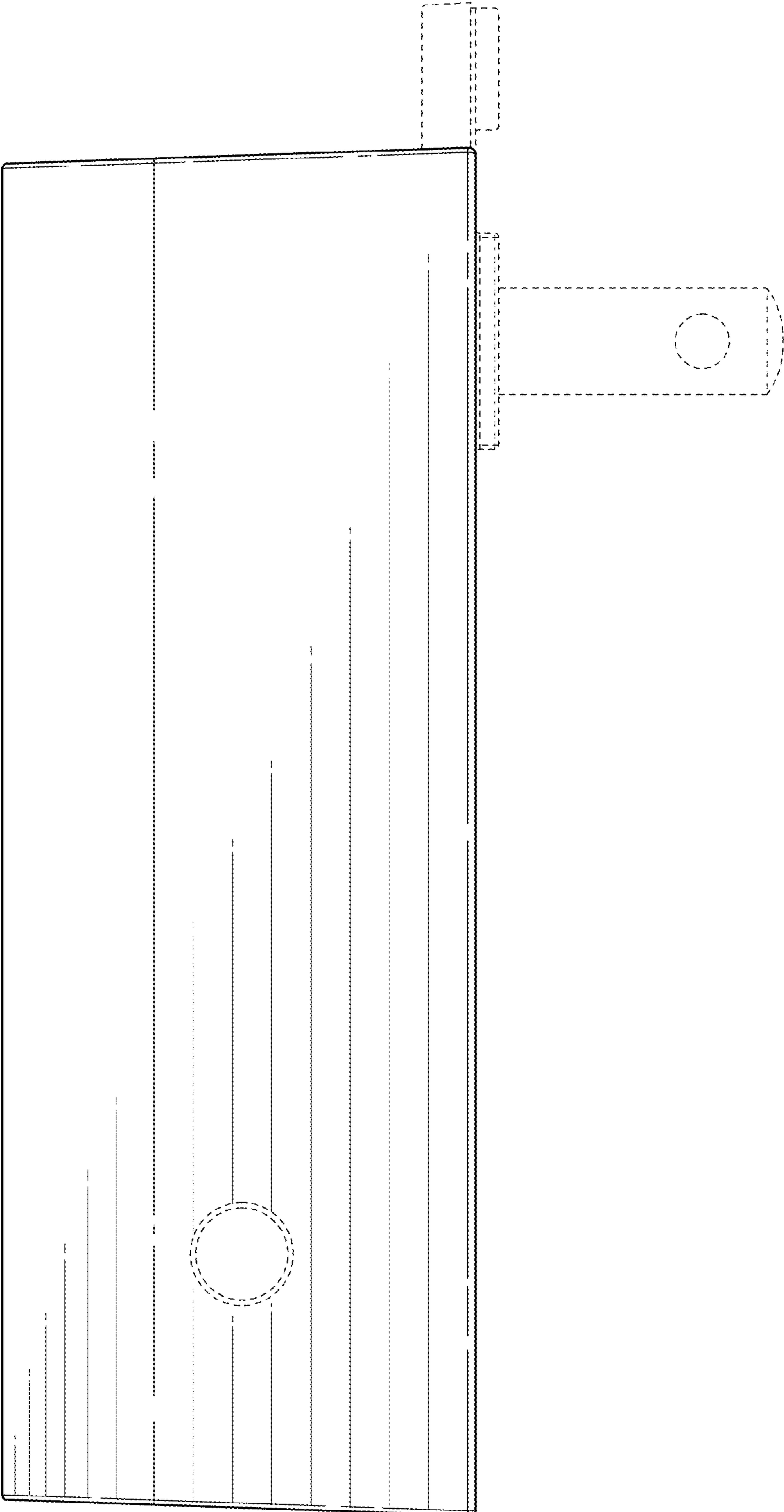


FIG. 12

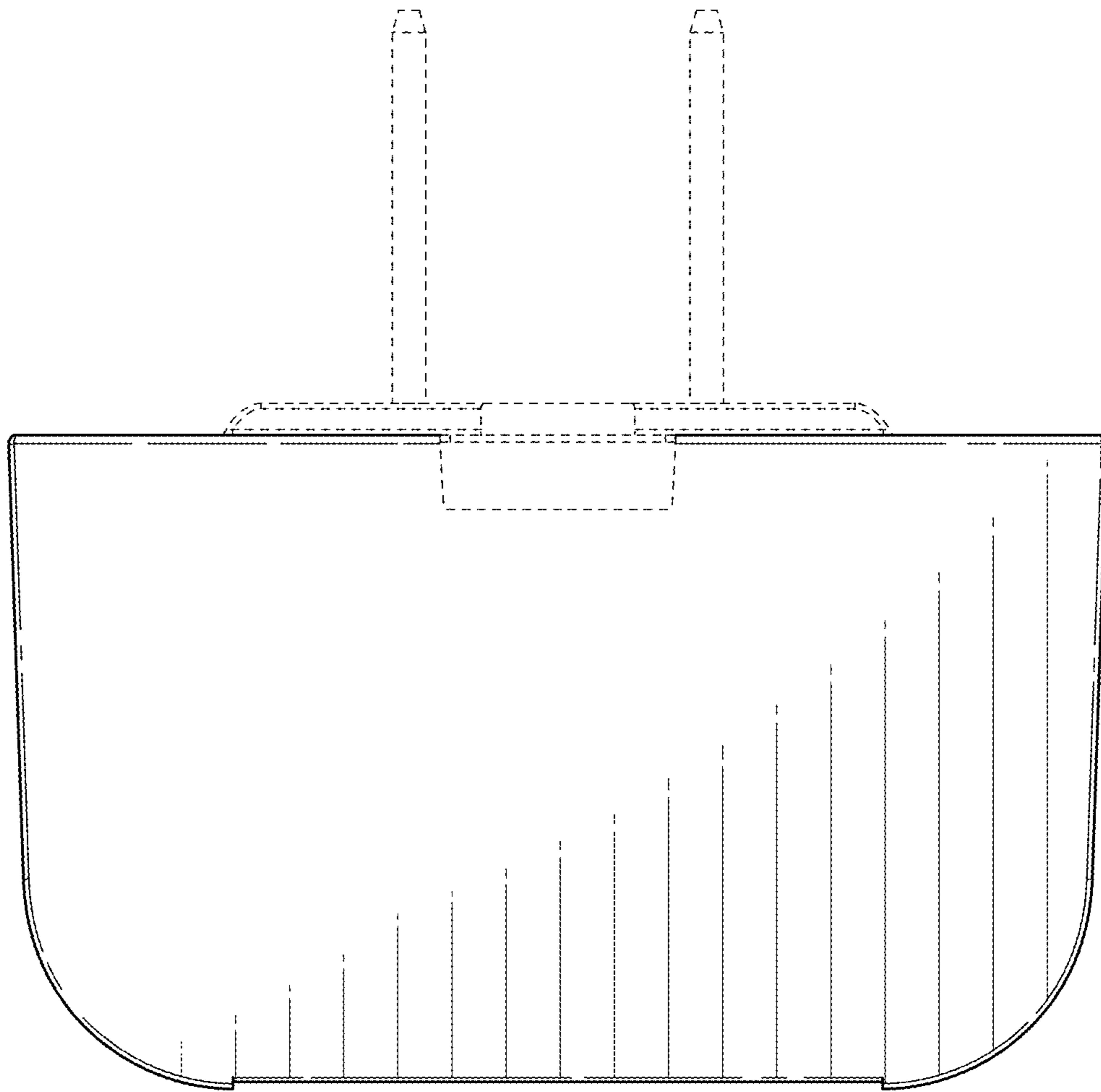


FIG. 13

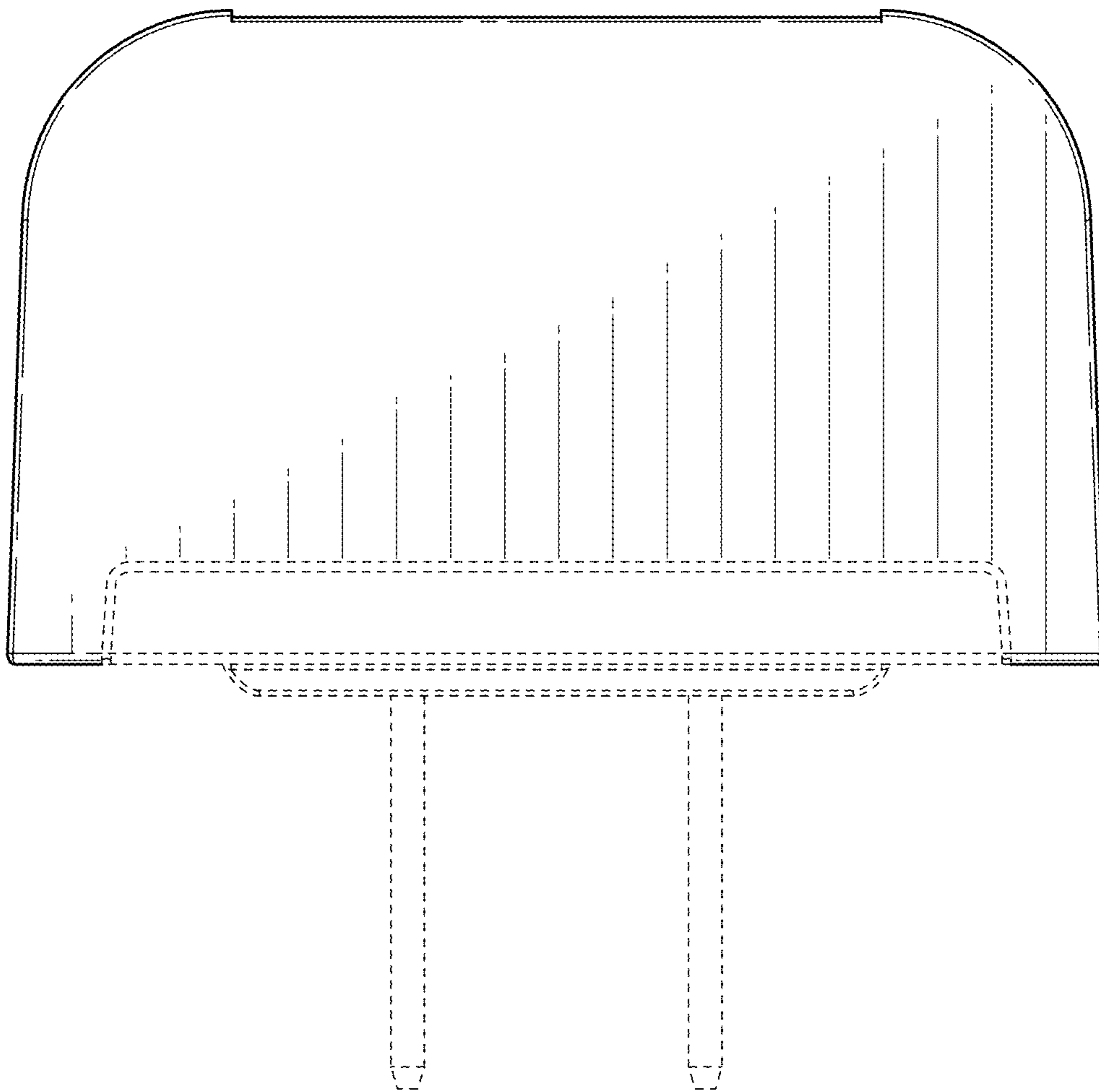


FIG. 14