



US00D901469S

(12) **United States Design Patent** (10) **Patent No.:** **US D901,469 S**
Fehr (45) **Date of Patent:** **** Nov. 10, 2020**

(54) **DISPLAY MOUNT**

(56) **References Cited**

(71) Applicant: **CKnapp Sales, Inc.**, Goodfield, IL (US)
(72) Inventor: **Micah Fehr**, Danvers, IL (US)
(73) Assignee: **CKnapp Sales, Inc.**, Goodfield, IL (US)
(**) Term: **15 Years**

U.S. PATENT DOCUMENTS

D692,013	S	*	10/2013	Crysell	D14/447
D822,453	S	*	7/2018	Kanter	D8/354
D822,454	S	*	7/2018	Kanter	D8/354
D822,650	S	*	7/2018	Kanter	D14/238
D823,093	S	*	7/2018	Kanter	D8/354
D823,094	S	*	7/2018	Kanter	D8/354
D829,531	S	*	10/2018	Kanter	D8/354
D829,533	S	*	10/2018	Kanter	D8/354

(Continued)

(21) Appl. No.: **29/679,859**

(22) Filed: **Feb. 11, 2019**

(51) **LOC (12) Cl.** **14-03**

(52) **U.S. Cl.**
USPC **D14/238**

(58) **Field of Classification Search**
USPC D14/371-382, 125-129, 336, 337, D14/447-452, 492, 335, 376-382, 239, D14/457, 439-441, 432, 251-253; D8/349, 354, 363, 367, 372, 373, 376, D8/380, 382; D21/333; D12/415; D3/10, 218; 348/180, 184, 325, 739, 348/825; 248/323, 278.1, 286.1
CPC G06F 3/0412; G06F 3/016; G06F 3/0488; G06F 3/011; G06F 3/038; G06F 3/03543; G06F 3/0338; G06F 3/0202; G06F 3/0219; G06F 3/0213; G06F 1/1616; G06F 3/023; G06F 3/04883; G02F 1/13338; G02F 1/1313; G02F 1/1333; G02F 1/135; G02F 1/132; G02F 1/133308; G02F 1/134309; G02F 1/13718; G09G 3/3648; G06K 15/1252; B41J 2/465; G03F 7/70291; G02B 27/0172; G02B 5/30; G02B 2027/0118; G02B 27/0101; F16M 13/02; F16M 13/00; F16M 11/10; F16M 11/04; F16M 2200/08; F16M 11/2021; A47B 21/0314; A47B 88/044; A47B 2021/0335; H02G 3/126; F16B 47/00; F16B 47/006; A47G 1/17; A47K 2201/00

See application file for complete search history.

OTHER PUBLICATIONS

Vesa Mount Adapter for HP Pavilion 27xw, 25xw, 24xw, 23xw, 22xw, 22cwa, 27cw, 25cw, 24cw, 23cw, and 22cw Monitors (Compare to CVB100 and L6V75AA) [Patented]—by HumanCentric retrieved from the web <https://www.amazon.com/Adapter-Monitor-XG270HU-G277HU-Pending/dp/B01DAYR XRK/>, on Feb. 11, 2019, 10 pages.

Primary Examiner — Katie Jane Stofko
(74) *Attorney, Agent, or Firm* — Hanley, Flight and Zimmerman, LLC

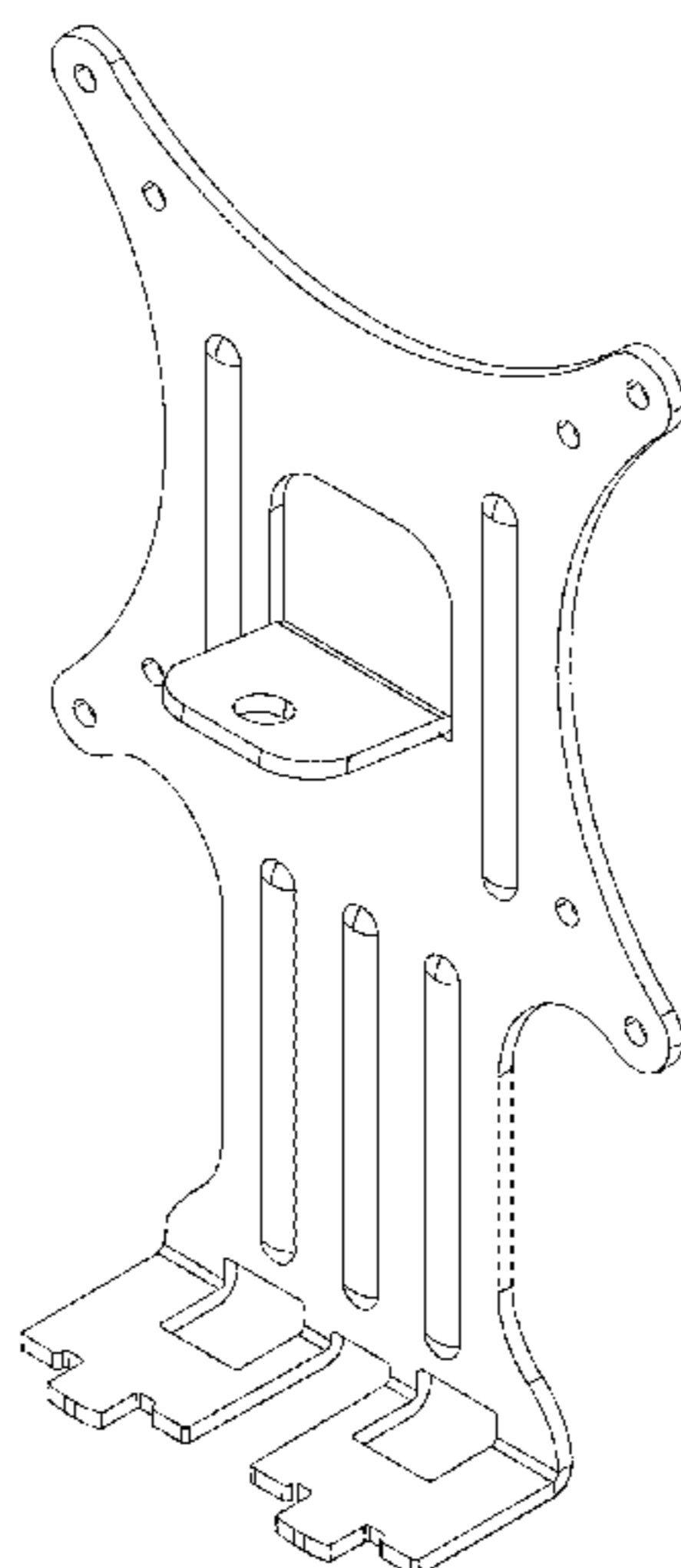
(57) **CLAIM**

The ornamental design for a display mount, as shown and described.

DESCRIPTION

FIG. 1 is a perspective view of a display mount.
FIG. 2 is a front elevation view thereof.
FIG. 3 is a rear elevation view thereof.
FIG. 4 is a top plan view thereof.
FIG. 5 is a bottom plan view thereof.
FIG. 6 is a left side elevation view thereof; and,
FIG. 7 is a right side elevation view thereof.
The broken lines shown in FIGS. 1-7 illustrate portions of the display mount that form no part of the claimed design.

1 Claim, 7 Drawing Sheets



(56)

References Cited

U.S. PATENT DOCUMENTS

D833,851 S	*	11/2018	Kanter	D8/354
D846,369 S	*	4/2019	Ni	D8/354
D846,370 S	*	4/2019	Ni	D8/354
D852,173 S	*	6/2019	Ni	D14/239
D859,958 S	*	9/2019	Ni	D8/354

* cited by examiner

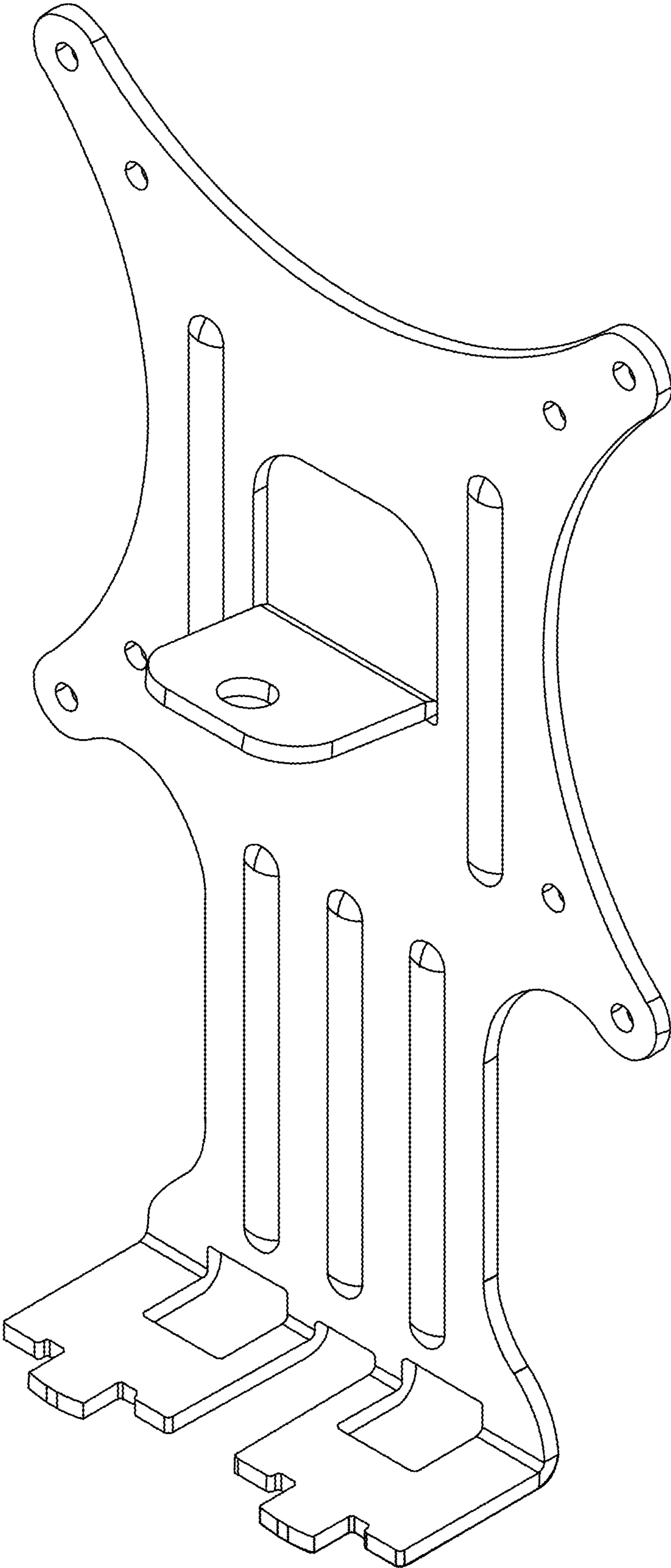


FIG. 1

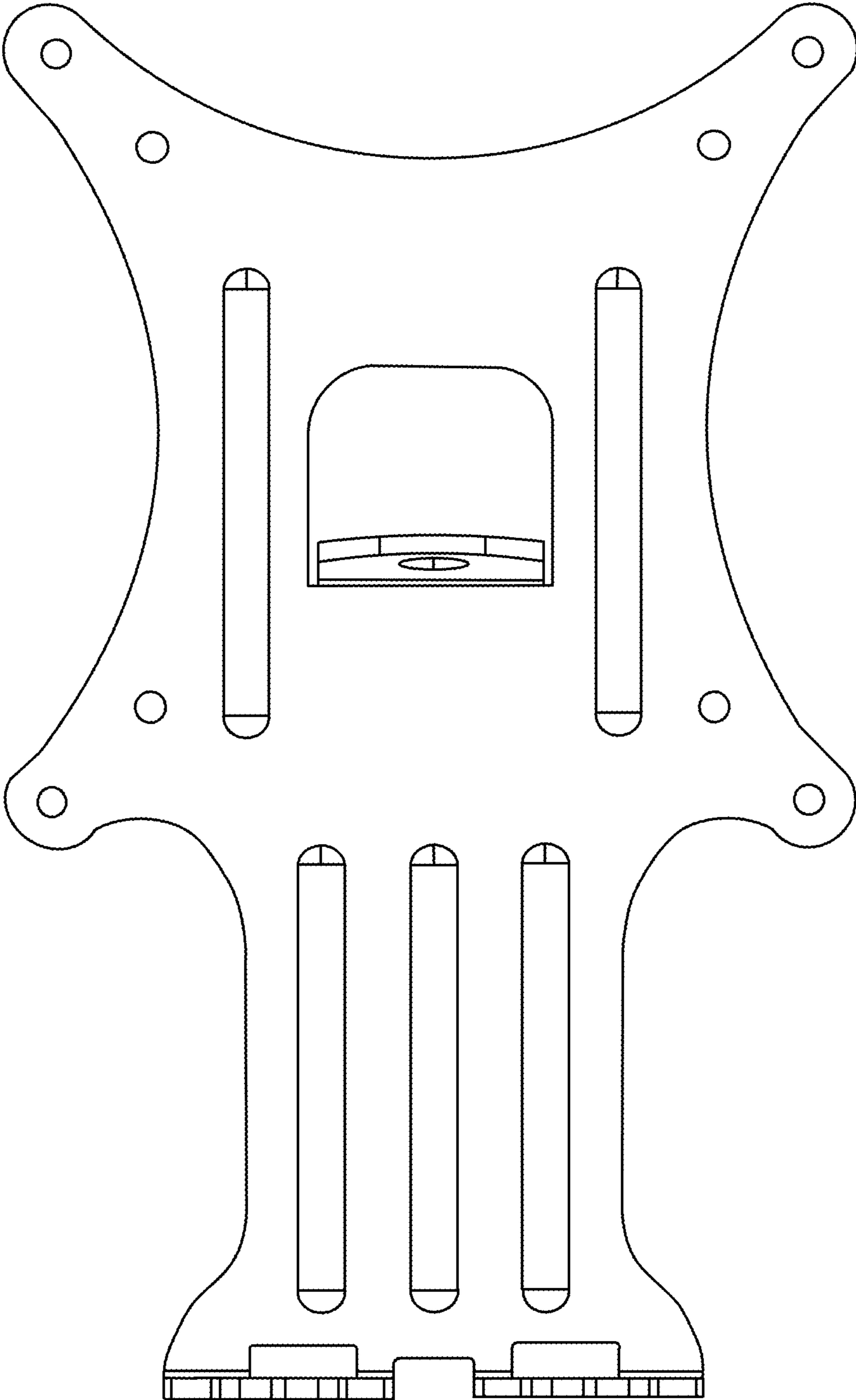


FIG. 2

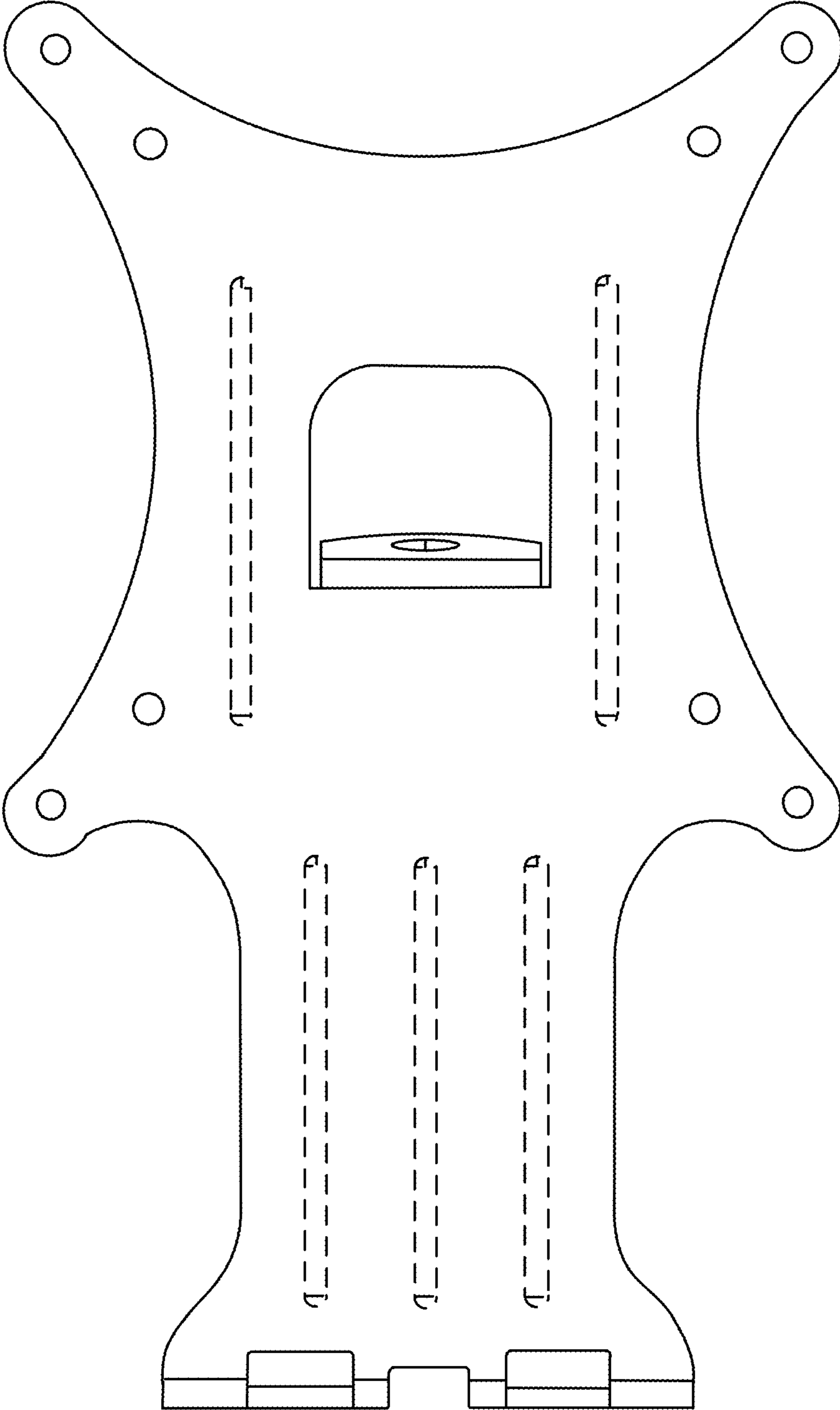


FIG. 3

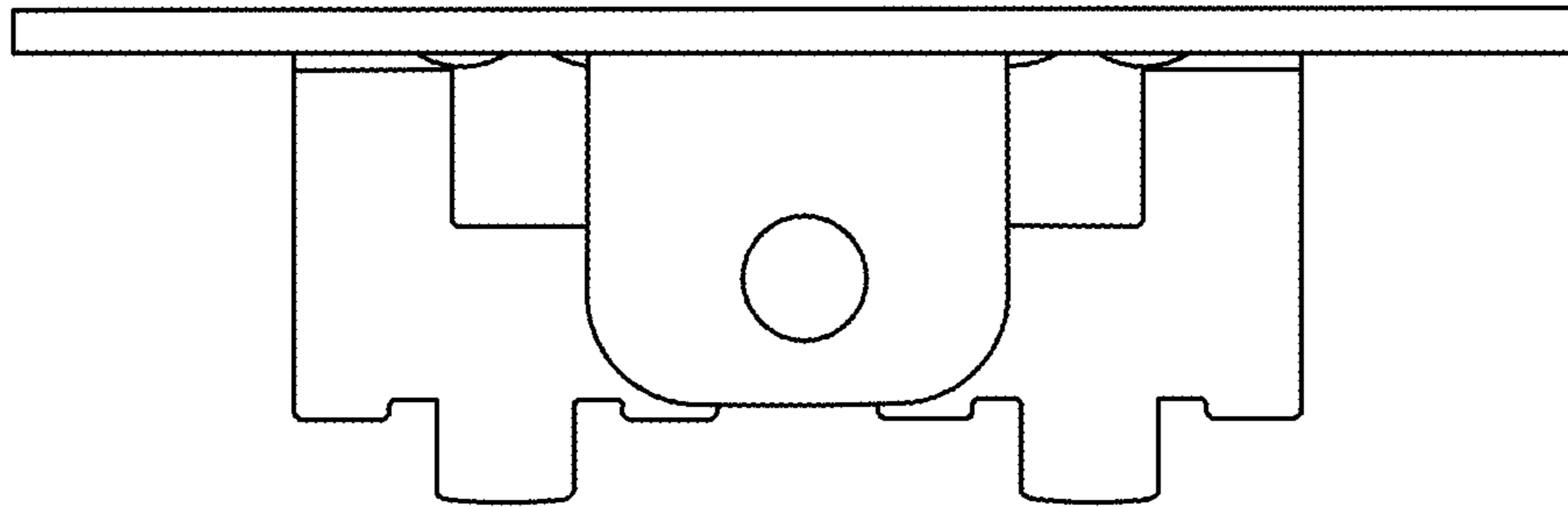


FIG. 4

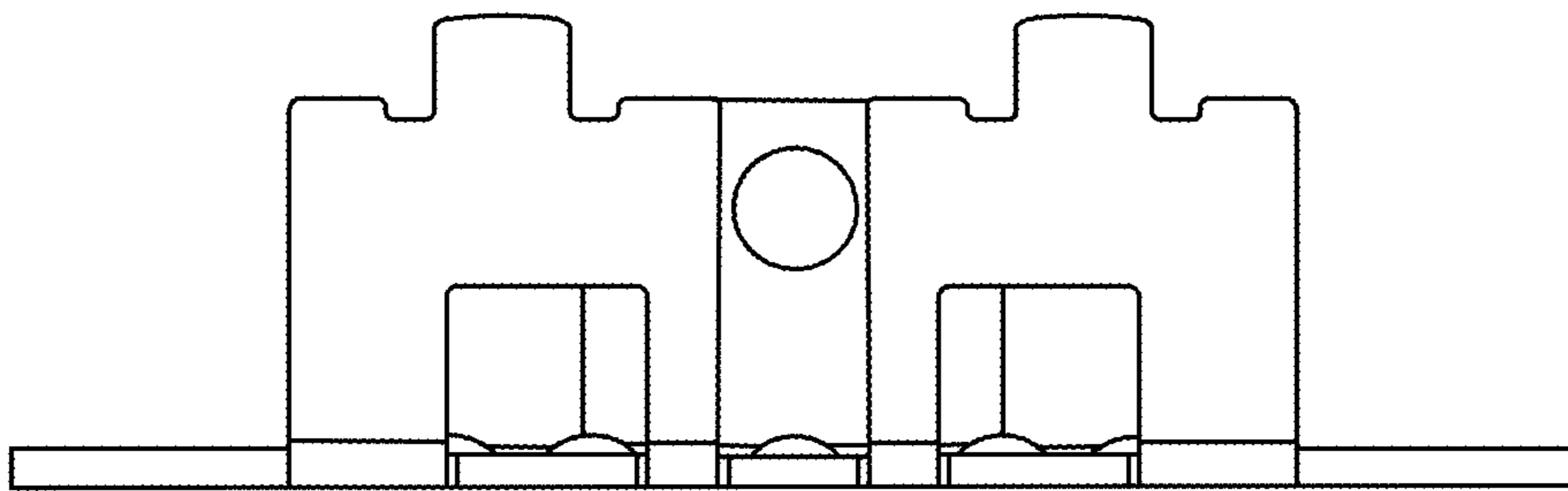


FIG. 5

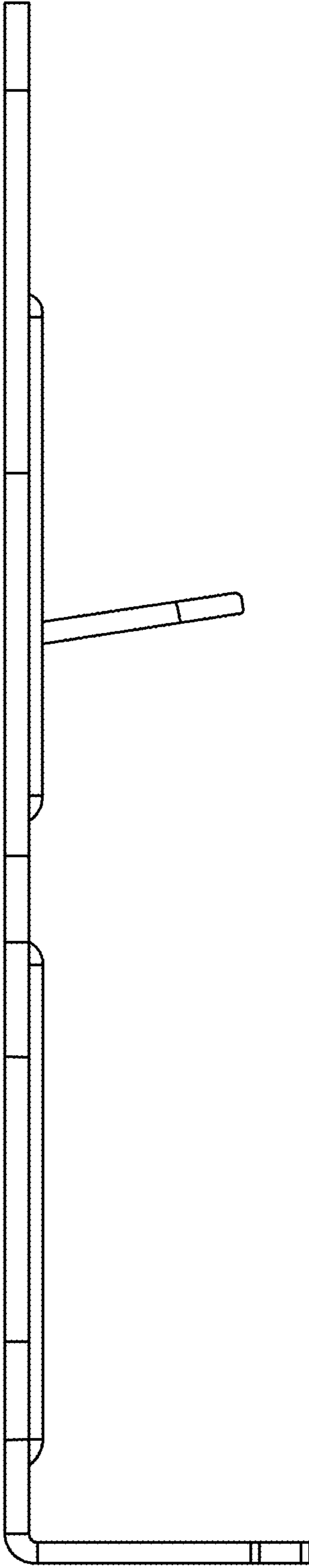


FIG. 6

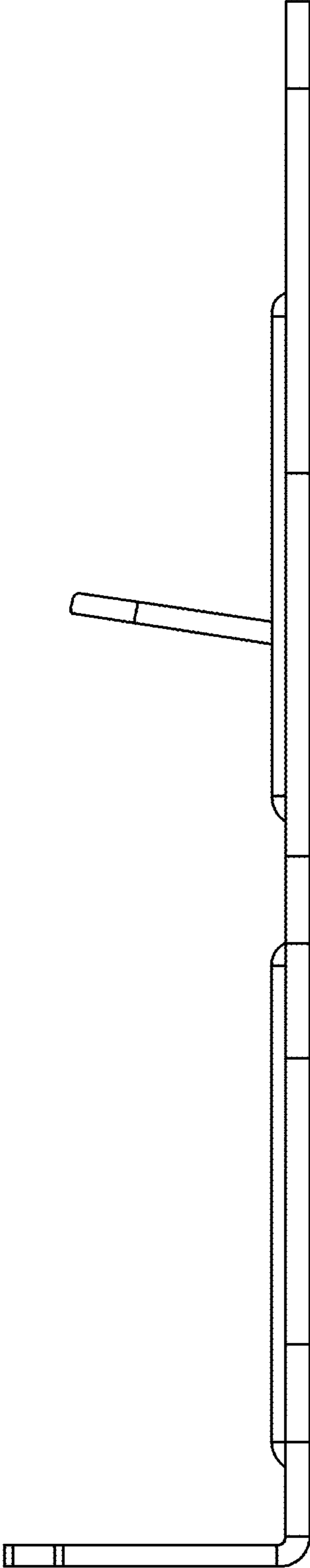


FIG. 7