

US00D901468S

(12) **United States Design Patent**
Zhao

(10) **Patent No.:** **US D901,468 S**

(45) **Date of Patent:** **** Nov. 10, 2020**

(54) **DIGITAL TV ANTENNA**

(71) Applicant: **Shenzhen Tuko Technology Co., Ltd,**
Shenzhen (CN)

(72) Inventor: **Guodong Zhao,** Shenzhen (CN)

(**) Term: **15 Years**

(21) Appl. No.: **29/739,687**

(22) Filed: **Jun. 29, 2020**

(51) **LOC (12) Cl.** **14-03**

(52) **U.S. Cl.**
USPC **D14/230**

(58) **Field of Classification Search**
USPC D14/138, 230-238, 299, 358; D12/42,
D12/43
CPC H01Q 7/00; H01Q 13/10; H01Q 9/285;
H01Q 19/30; H01Q 19/12; H01Q 1/38;
H01Q 1/36; H04B 1/0475; H04B 1/034;
H05K 11/00

See application file for complete search history.

(56) **References Cited**

U.S. PATENT DOCUMENTS

D326,097 S *	5/1992	Ferrario	D14/230
D365,347 S *	12/1995	Geneve	D14/230
D381,985 S *	8/1997	Maeyama	D14/194
D385,535 S *	10/1997	Summit	D14/242
D394,266 S *	5/1998	Hogenbirk	D14/240
D401,580 S *	11/1998	Goto	D14/155
D406,116 S *	2/1999	Huber	D14/351
D425,516 S *	5/2000	Heiligenstein	D14/238
D433,019 S *	10/2000	Lee	D14/352
D438,532 S *	3/2001	Gargani	D14/240

D449,590 S *	10/2001	Lewis	D14/188
D473,335 S *	4/2003	Brohard	D13/184
D489,369 S *	5/2004	Sasaki	D14/358
D497,318 S *	10/2004	Strand	D10/104.1
D529,878 S	10/2006	Wang	
D654,075 S *	2/2012	Wu	D14/358
D663,293 S *	7/2012	MacManus	D14/240
D733,708 S *	7/2015	Chen	D14/358
D815,075 S *	4/2018	Kwak	D14/240
D827,621 S *	9/2018	Little	D14/230
D838,696 S *	1/2019	Yang	D14/230
D838,701 S *	1/2019	Yang	D14/230
D848,985 S *	5/2019	Yang	D14/230
D881,855 S *	4/2020	Ahman	D14/230
D888,696 S *	6/2020	Carson	D14/230

* cited by examiner

Primary Examiner — John Windmuller

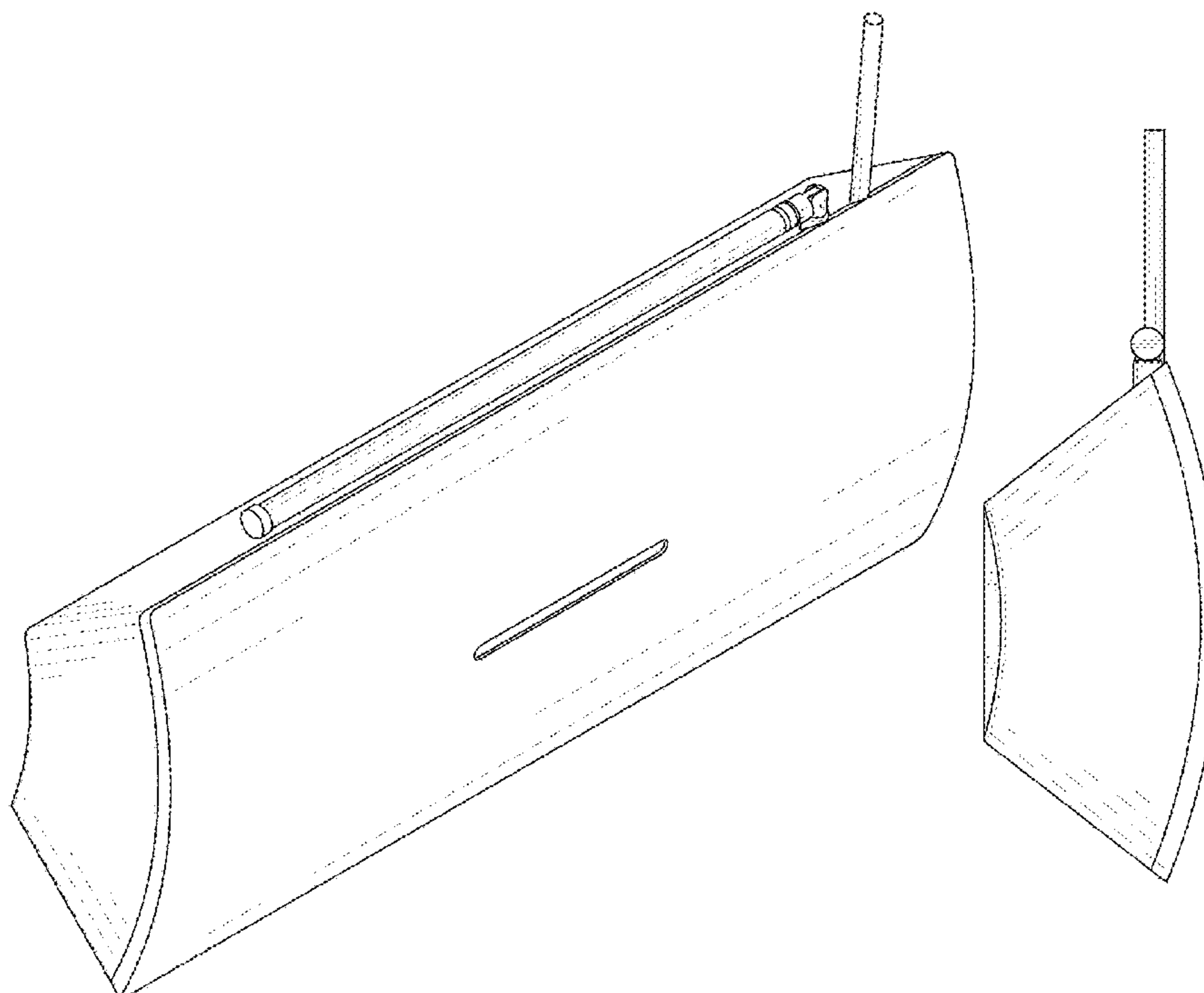
(57) **CLAIM**

The ornamental design for a digital TV antenna, as shown and described.

DESCRIPTION

FIG. 1 is a front and top perspective view of a digital TV antenna, showing my new design;
FIG. 2 is a rear and bottom perspective view thereof;
FIG. 3 is a front elevational view thereof;
FIG. 4 is a rear elevational view thereof;
FIG. 5 is a left side elevational view thereof;
FIG. 6 is a right side elevational view thereof;
FIG. 7 is a top plan view thereof; and,
FIG. 8 is a bottom plan view thereof.
The broken lines in the figures illustrate portions of the article that form no part of the claimed design.

1 Claim, 8 Drawing Sheets



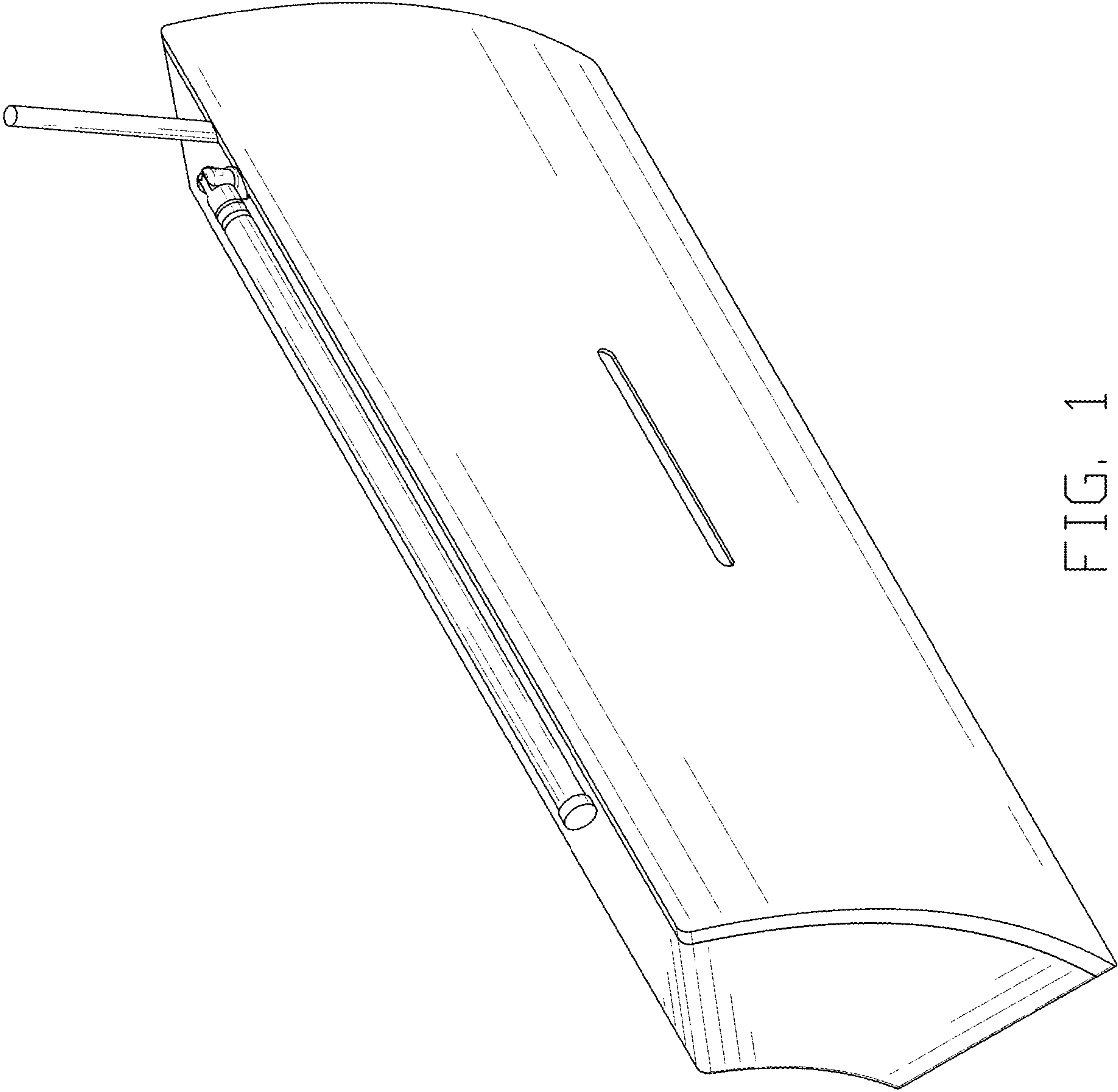


FIG. 1

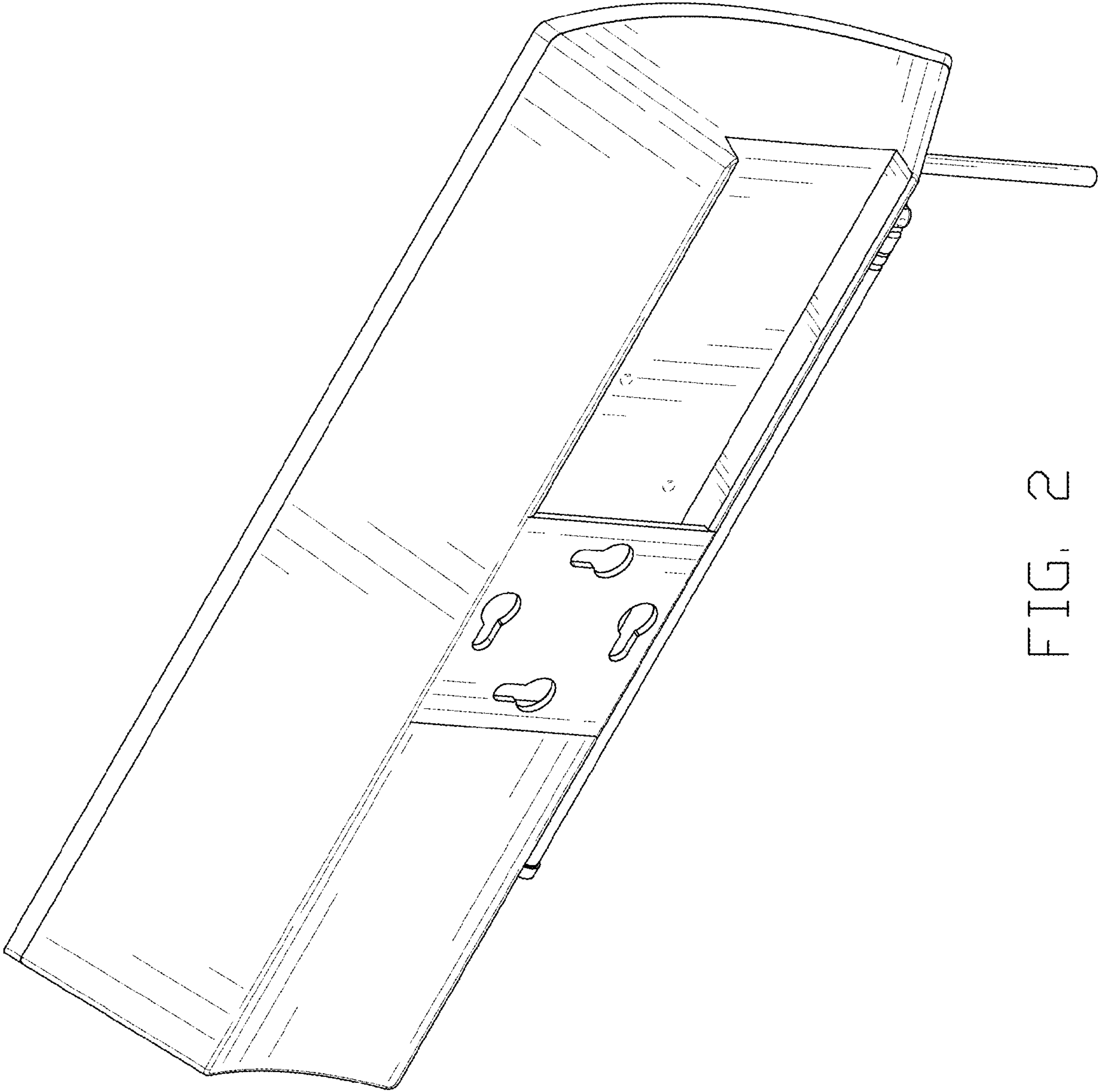


FIG. 2

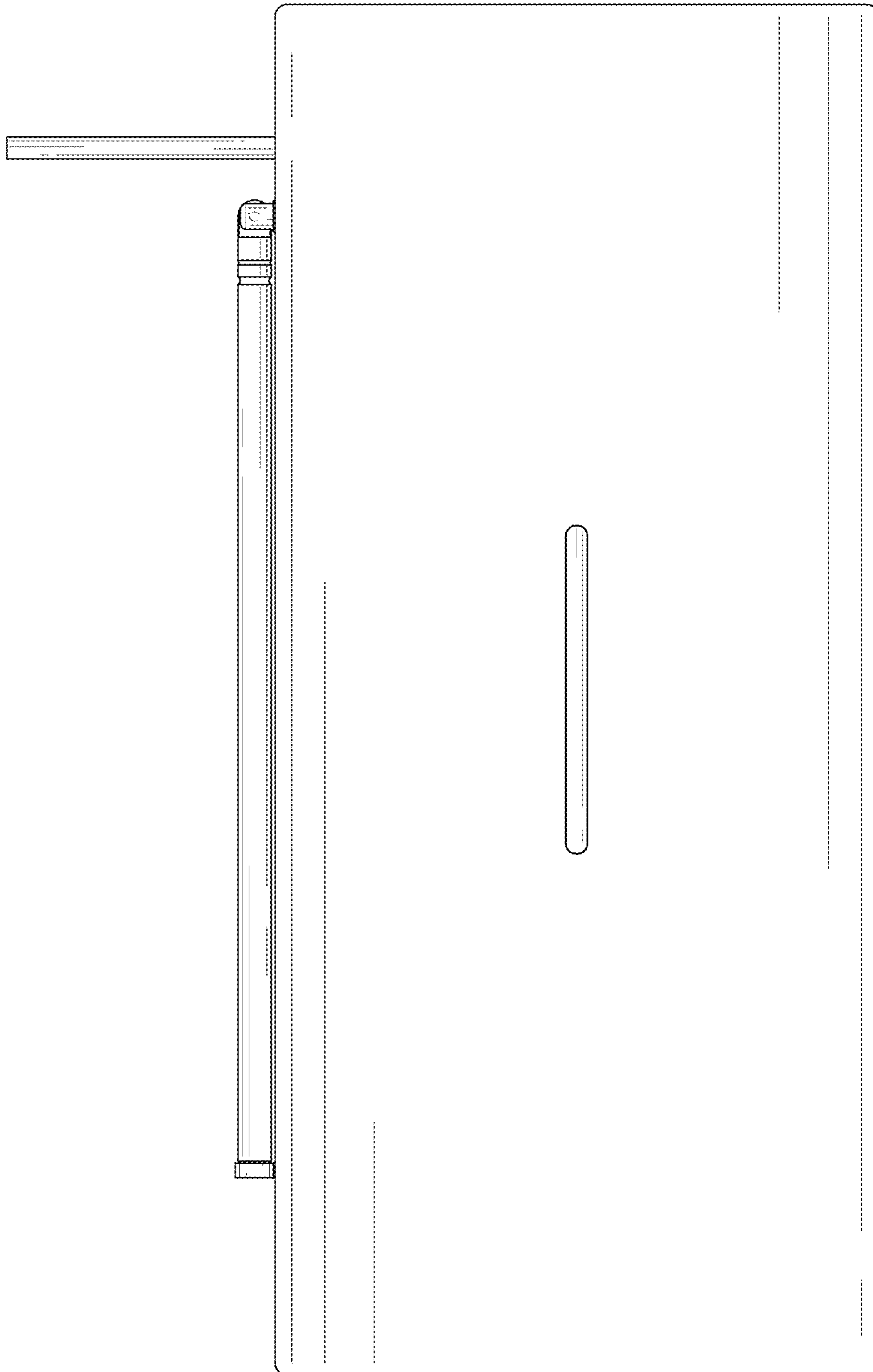


FIG. 3

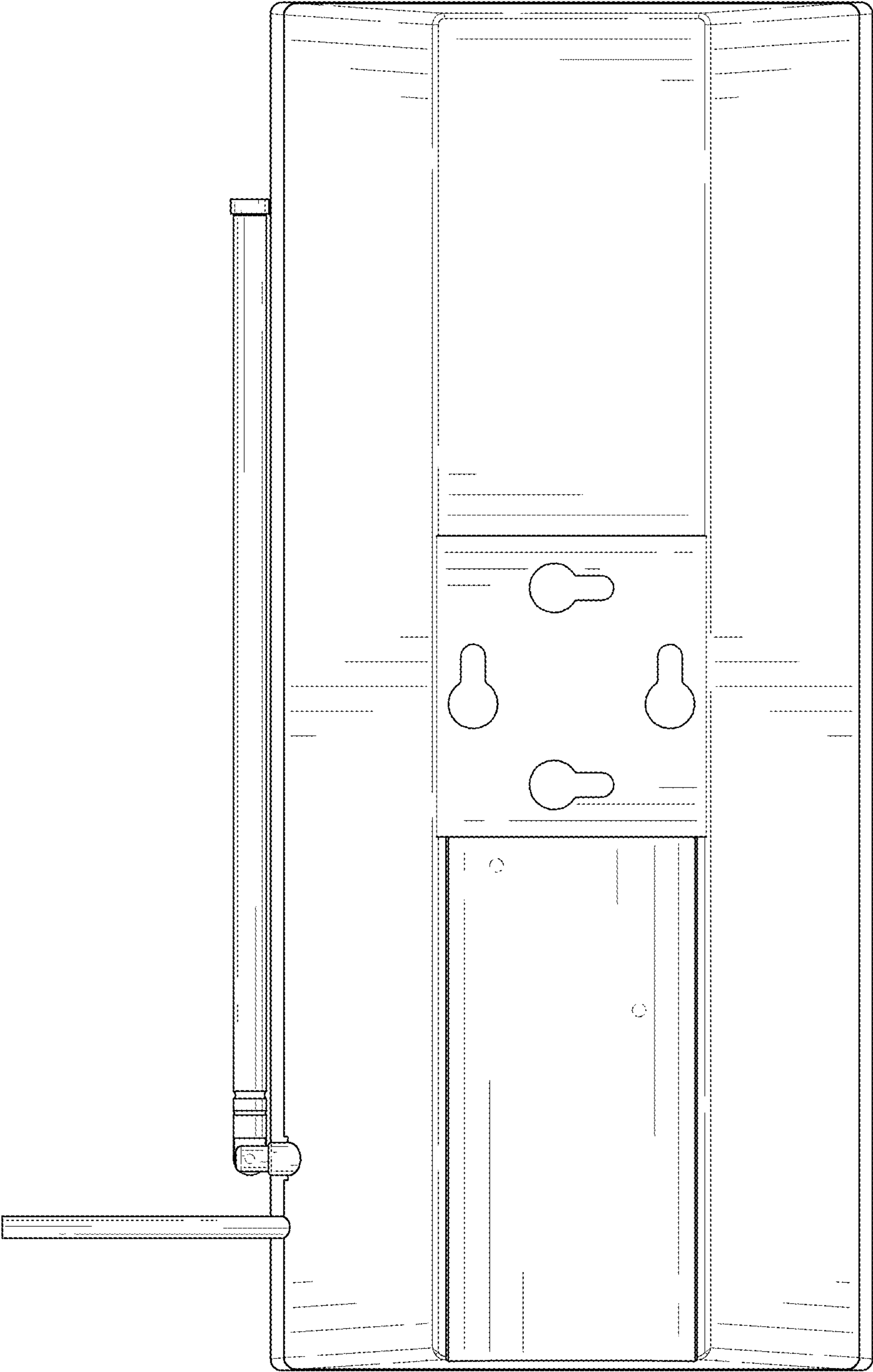


FIG. 4

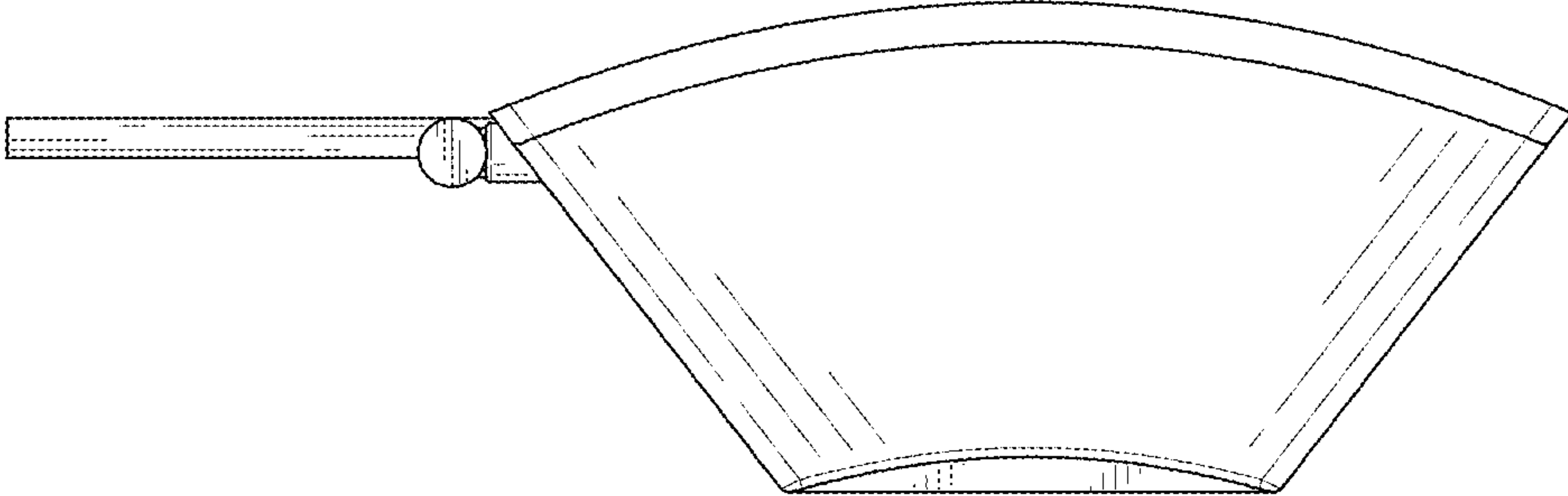


FIG. 5

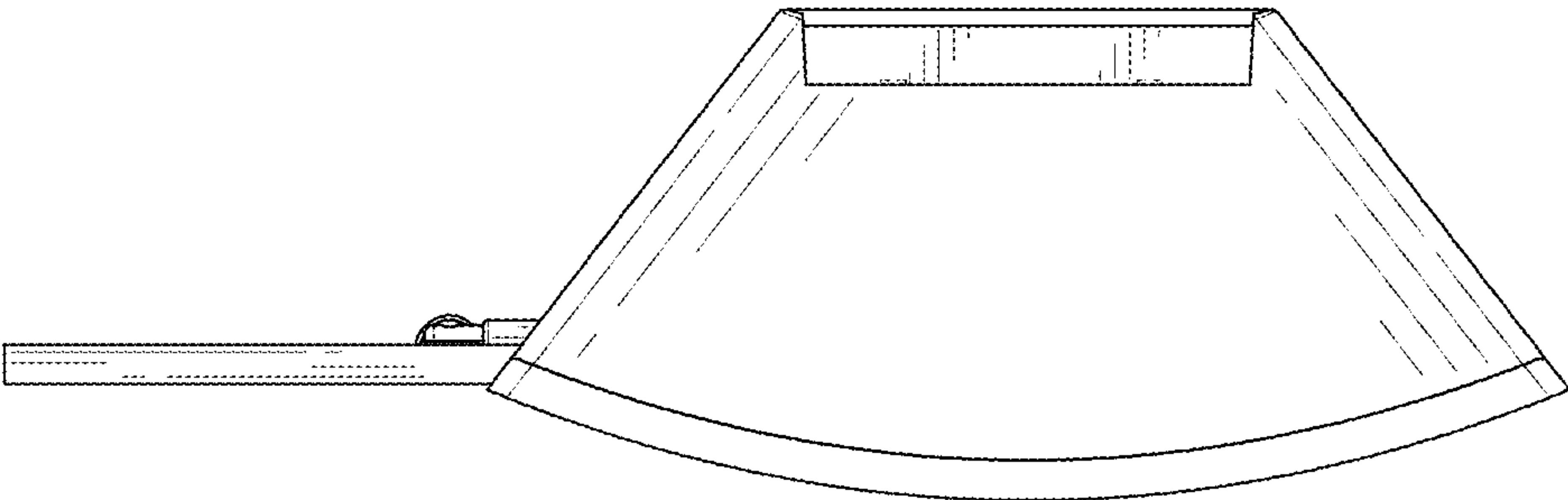


FIG. 6

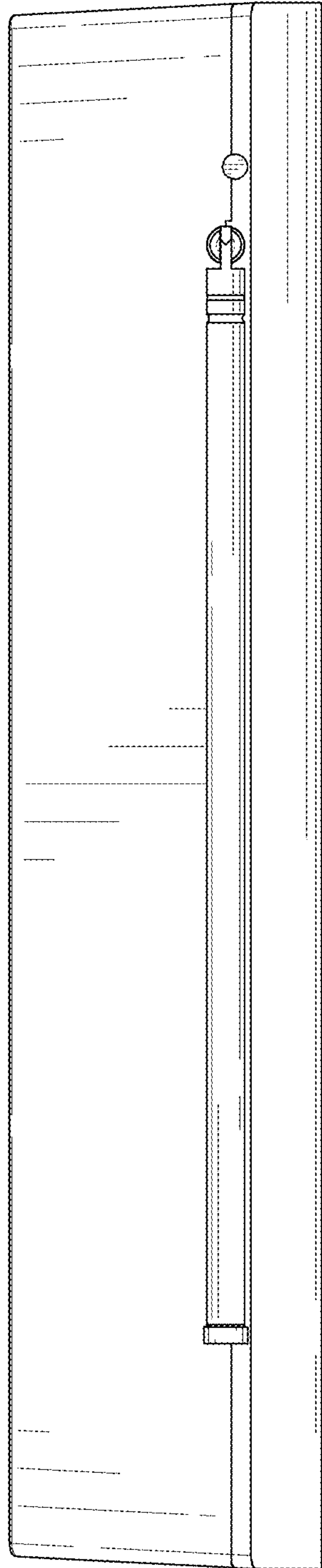


FIG. 7

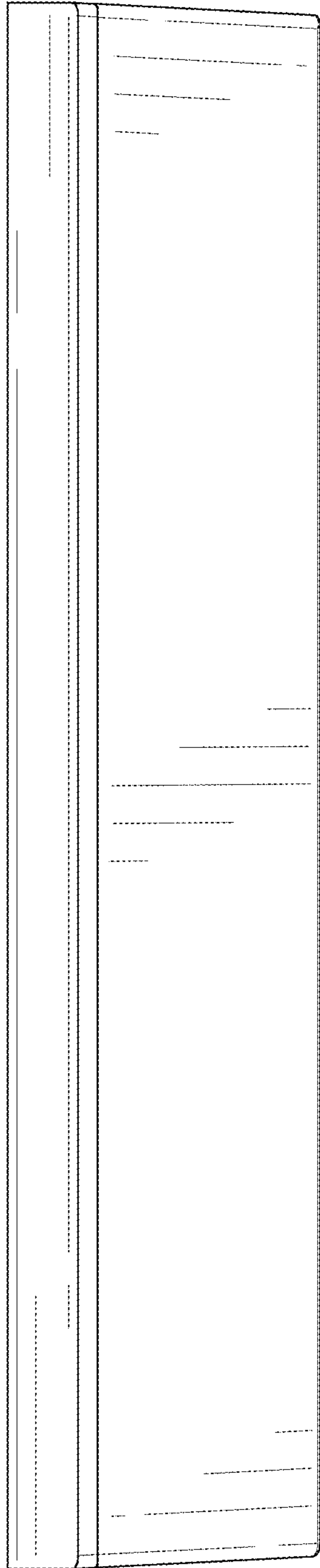


FIG. 8