



US00D901462S

(12) **United States Design Patent** (10) **Patent No.:** **US D901,462 S**
Oba (45) **Date of Patent:** **** Nov. 10, 2020**

(54) **AUTOMOTIVE RADAR**
(71) Applicant: **Mitsubishi Electric Corporation,**
Tokyo (JP)
(72) Inventor: **Tetsuya Oba,** Tokyo (JP)
(73) Assignee: **Mitsubishi Electric Corporation,**
Tokyo (JP)

D511,343 S * 11/2005 Solomon D14/356
D515,075 S * 2/2006 Kusanagi D14/230
D515,076 S * 2/2006 Kusanagi D14/230
D516,061 S * 2/2006 Wang D14/230
D517,055 S * 3/2006 Hung D14/230
D525,198 S * 7/2006 Ikeda D13/123
D535,646 S * 1/2007 Allen D14/230
D548,730 S * 8/2007 Inoue D14/230
D550,216 S * 9/2007 Allen D14/230

(Continued)

(**) Term: **15 Years**
(21) Appl. No.: **29/643,405**
(22) Filed: **Apr. 9, 2018**

FOREIGN PATENT DOCUMENTS

JP D1560675 * 9/2019

(30) **Foreign Application Priority Data**
Oct. 17, 2017 (JP) 2017-022934
(51) **LOC (12) Cl.** **07-05**
(52) **U.S. Cl.**
USPC **D14/230**
(58) **Field of Classification Search**
USPC D14/230, 232-236, 218, 434, 240;
D10/106.5; D21/324; D13/168, 123
CPC .. H01Q 1/24; H01Q 1/22; H01Q 1/38; H01Q
9/28; H01Q 1/12; G08B 17/02; H01H
36/00; A63F 9/24
See application file for complete search history.

OTHER PUBLICATIONS

Mitsubishi Radar article published 2001, http://www.mitsubishielectric.com/bu/automotive/advanced_technology/pdf/vol94_tr5.pdf, site visited Sep. 20, 2019.*

Primary Examiner — John R Yeh
(74) *Attorney, Agent, or Firm* — Studebaker & Brackett
PC

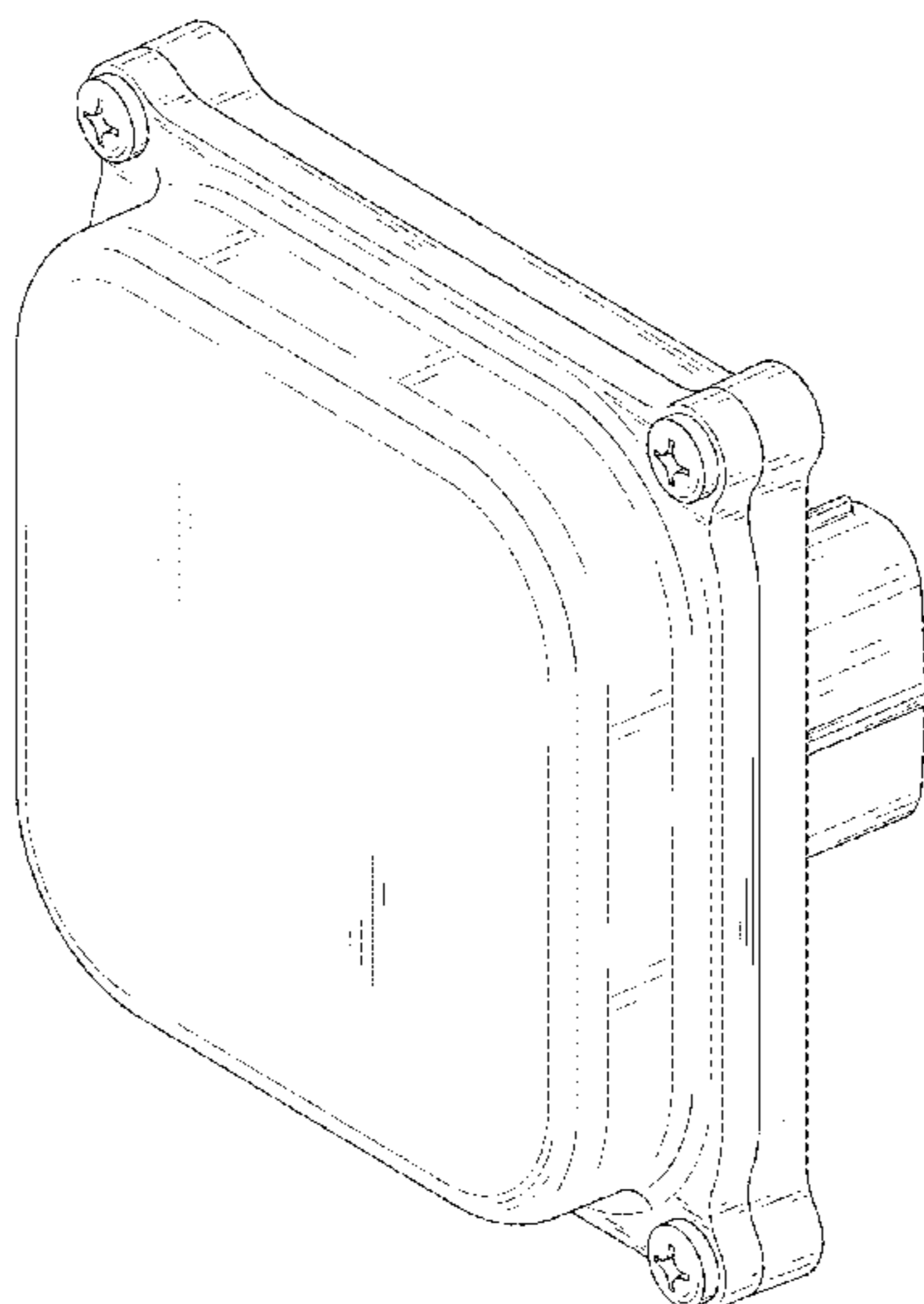
(56) **References Cited**
U.S. PATENT DOCUMENTS
D104,526 S * 5/1937 Brach D14/230
D215,940 S * 11/1969 Kahn D14/230
D217,256 S * 4/1970 Kahn D14/230
D307,136 S * 4/1990 Boyer D13/123
D332,262 S * 1/1993 Borchardt D14/230
D354,060 S * 1/1995 Witzky D14/230
D401,243 S * 11/1998 Guttadauro D14/230
D427,182 S * 6/2000 Andrew D14/230
D427,193 S * 6/2000 Fedele D14/348
D483,353 S * 12/2003 Hyogo D14/230
D490,080 S * 5/2004 Alviar D13/123

(57) **CLAIM**
The ornamental design for an automotive radar, as shown and described.

DESCRIPTION

FIG. 1 is a front, top and right side perspective view of an automotive radar showing our new design;
FIG. 2 is a front view thereof;
FIG. 3 is a rear view thereof;
FIG. 4 is a left side view thereof;
FIG. 5 is a right side view thereof;
FIG. 6 is a top view thereof;
FIG. 7 is a bottom view thereof; and,
FIG. 8 is a cross-sectional view along line 8-8 of FIG. 2 thereof.
The broken lines illustrate portions of the automotive radar that form no part of the claimed design.

1 Claim, 8 Drawing Sheets



(56)

References Cited

U.S. PATENT DOCUMENTS

D550,217	S	*	9/2007	Schneider	D14/230
D550,659	S	*	9/2007	Noro	D14/230
D565,571	S	*	4/2008	Trifilio	D14/356
D567,639	S	*	4/2008	McConnell	D8/381
D582,905	S	*	12/2008	Takisawa	D14/230
D593,078	S	*	5/2009	Sato	D14/230
D621,731	S	*	8/2010	Goody	D10/65
D658,638	S	*	5/2012	Poddaturi	D14/230
D659,686	S	*	5/2012	Poddaturi	D14/230
D774,023	S	*	12/2016	Fariello	D14/230
D782,354	S	*	3/2017	Lovin	D10/101
D808,938	S	*	1/2018	Gomez	D14/230
D815,621	S	*	4/2018	Anderson	D14/230
D839,244	S	*	1/2019	Johnson	D14/230
D843,356	S	*	3/2019	Stevenson	D14/230
D873,249	S	*	1/2020	Biancotto	D14/230
D875,086	S	*	2/2020	Ahman	D14/230

* cited by examiner

Fig.1

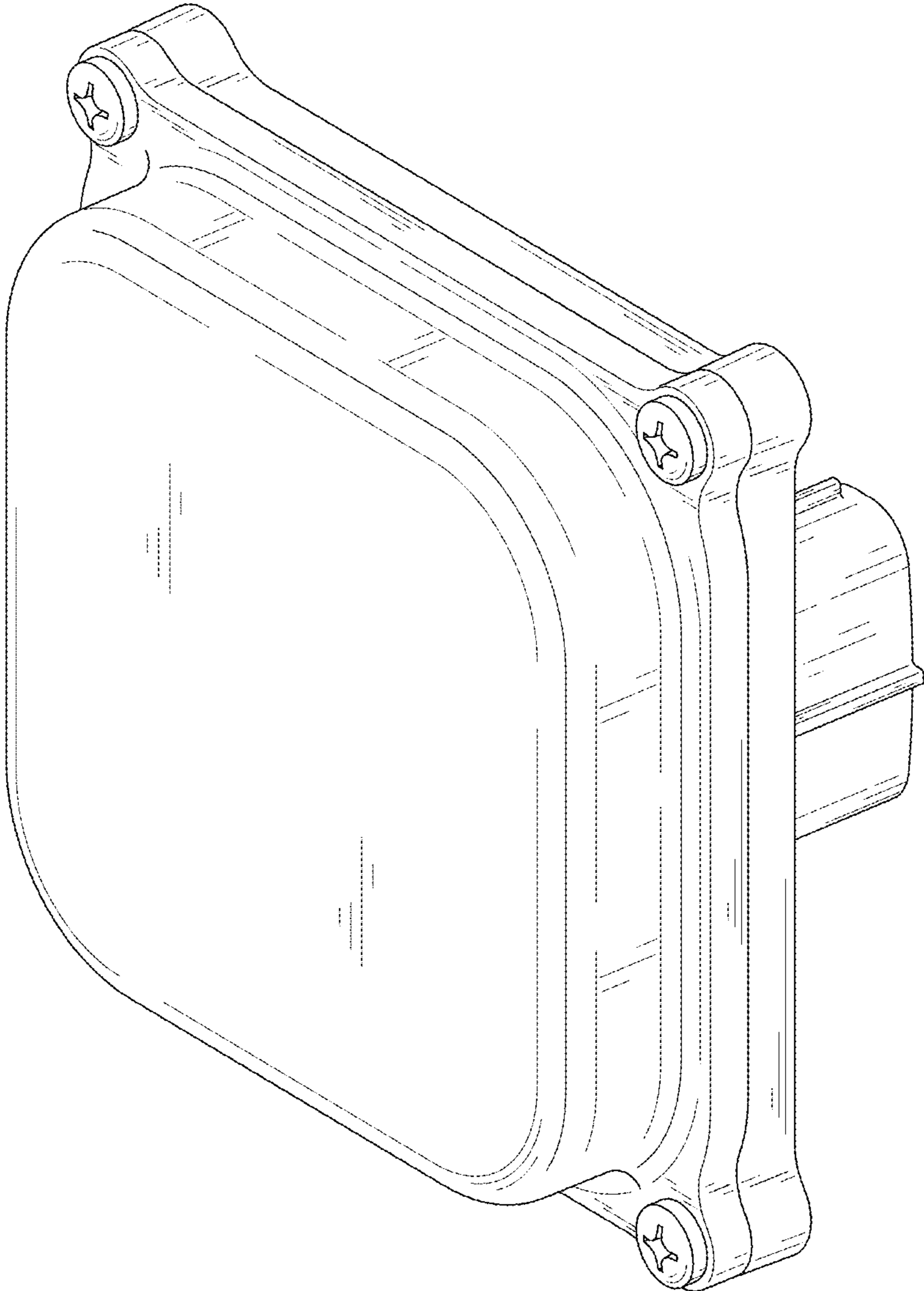


Fig.2

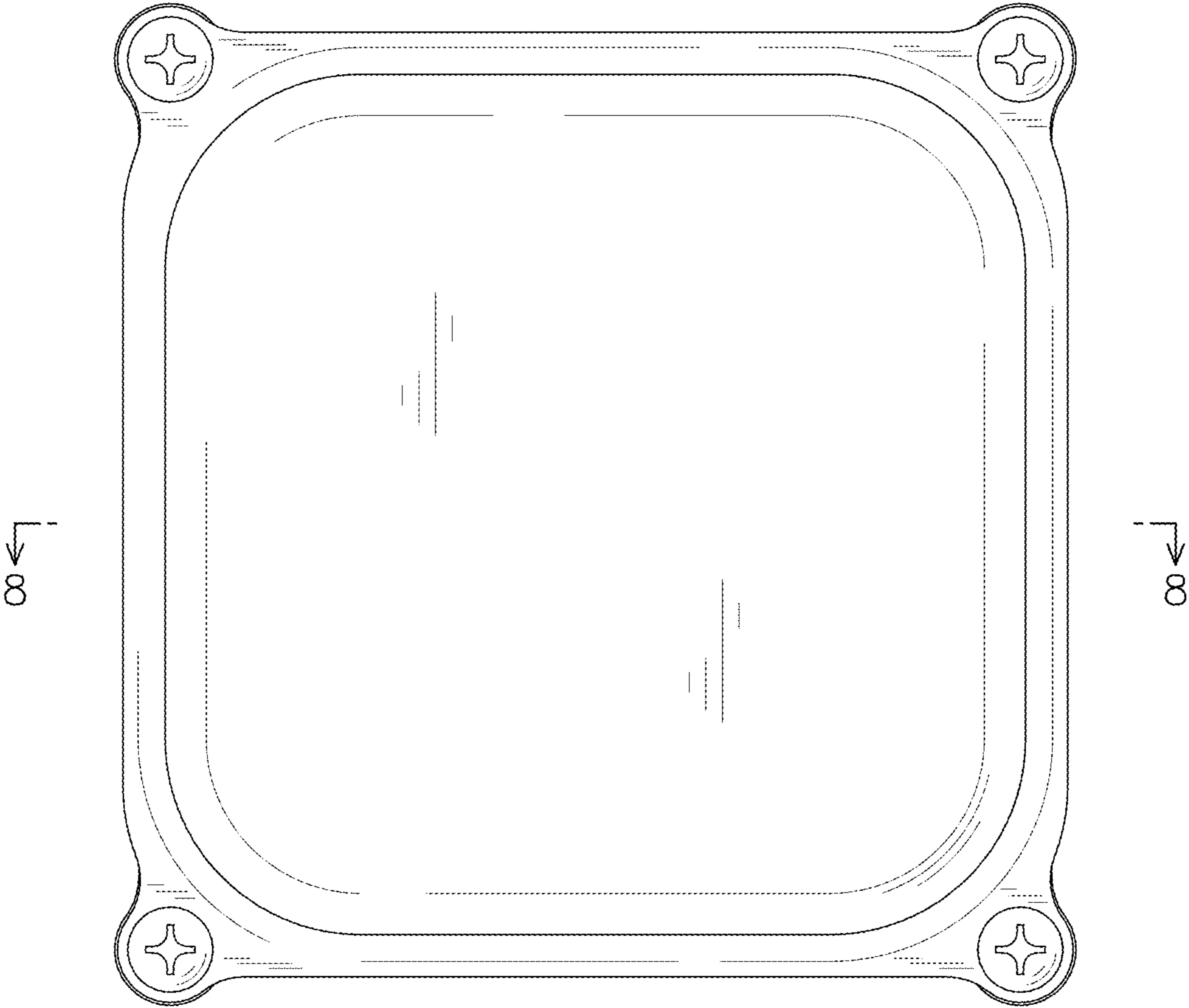


Fig.3

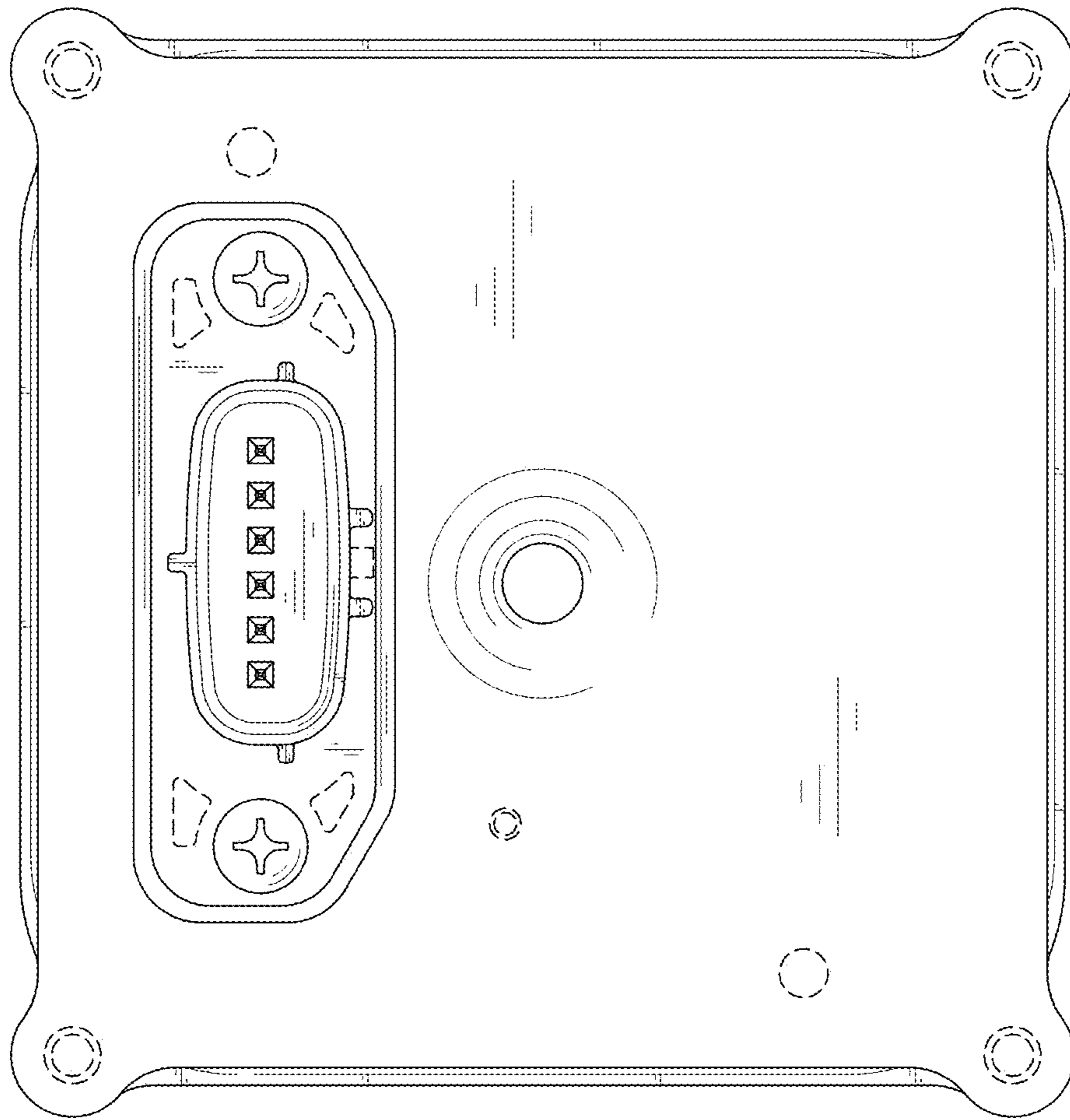


Fig.4

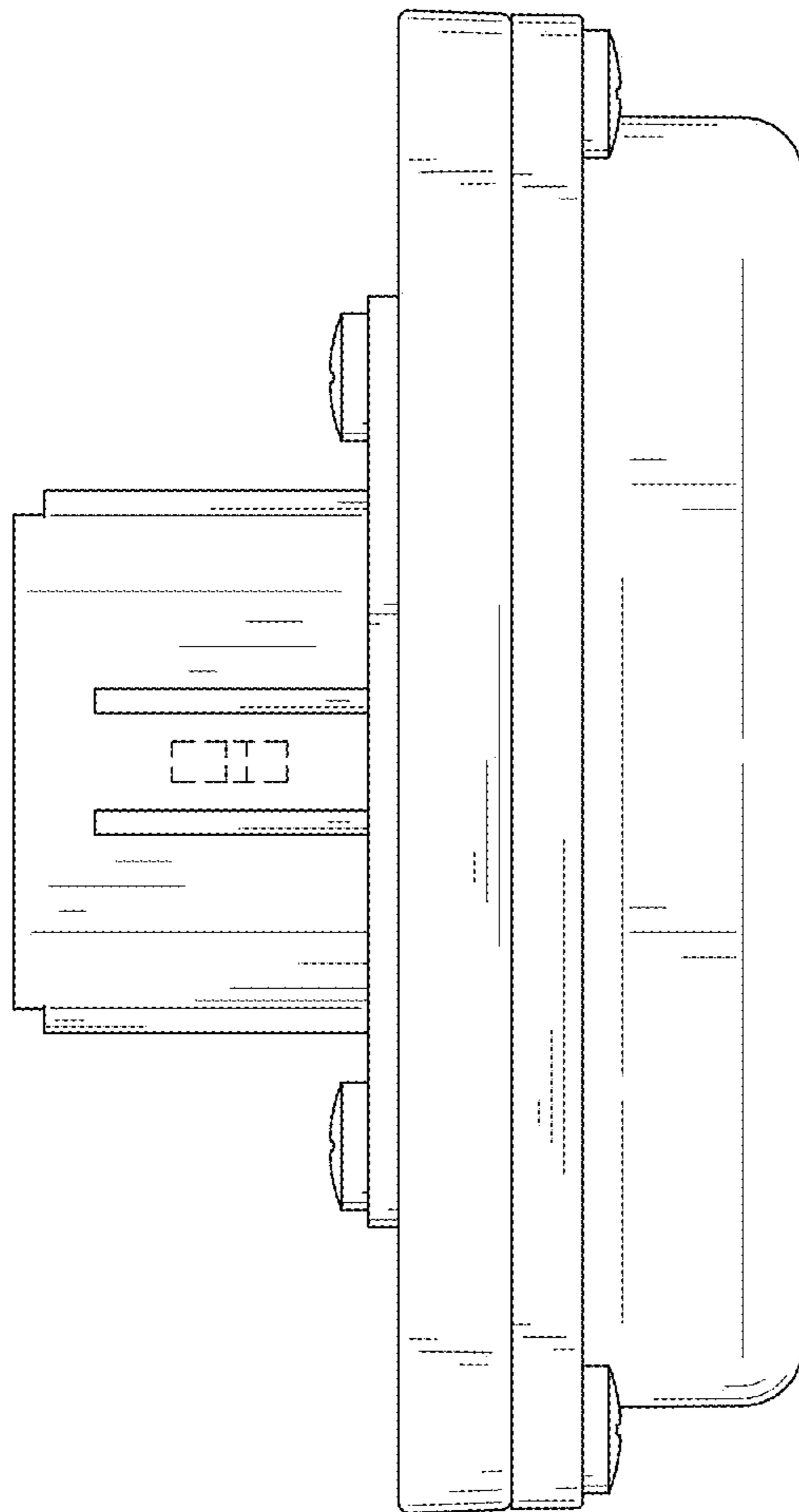


Fig.5

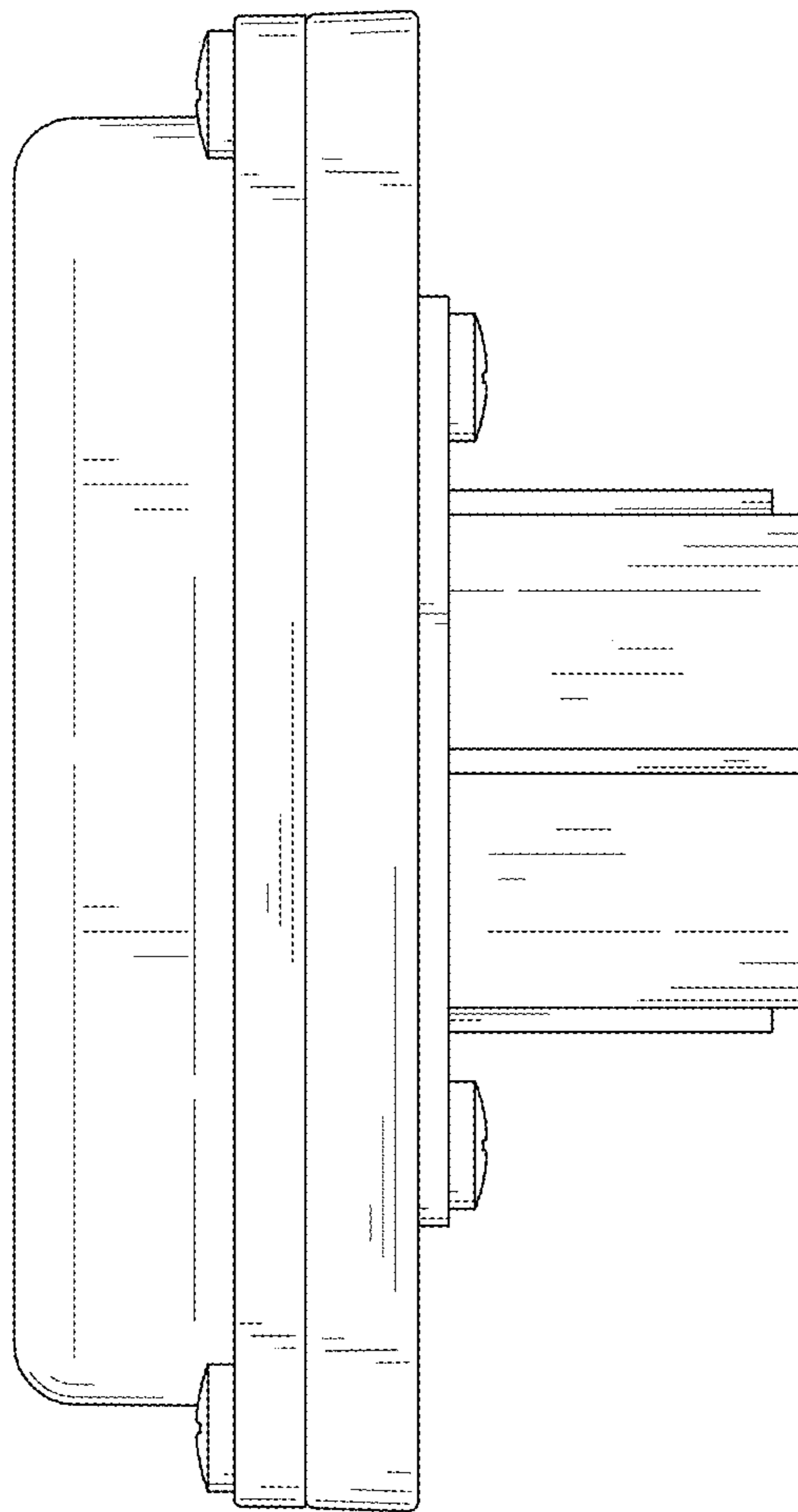


Fig.6

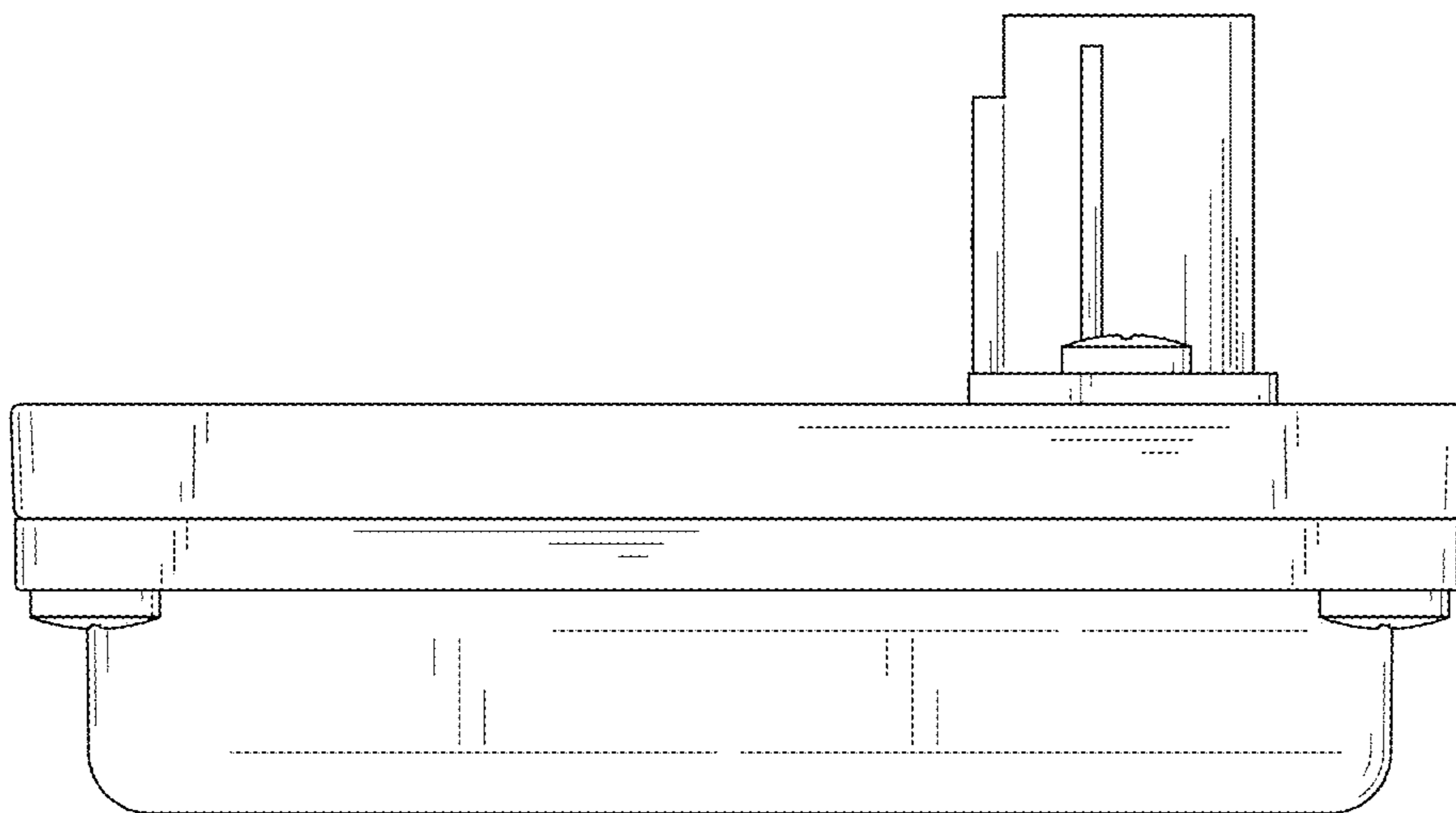


Fig.7

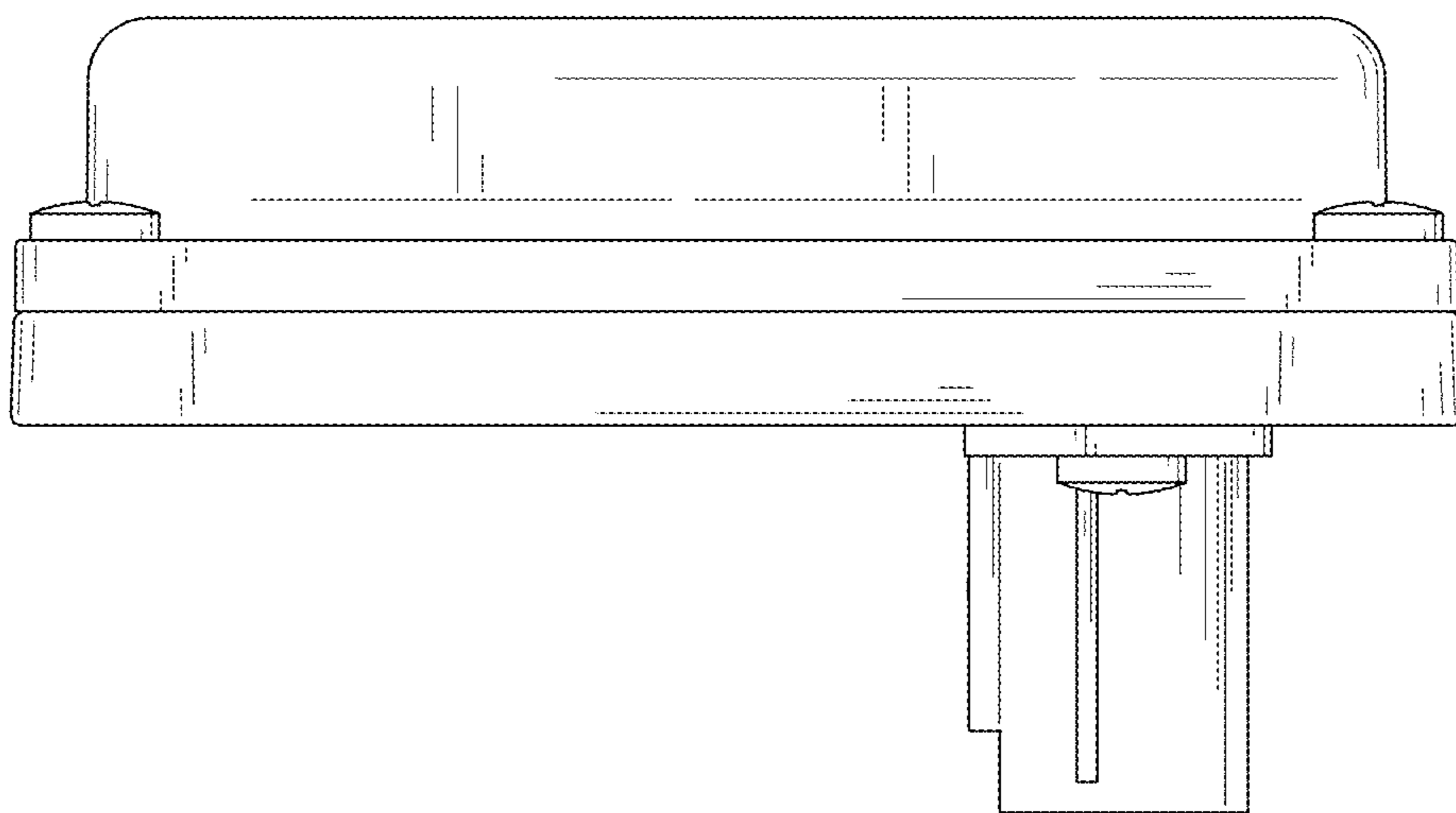


Fig.8

