



US00D901460S

(12) **United States Design Patent** (10) **Patent No.:** **US D901,460 S**
Heinrich et al. (45) **Date of Patent:** **** Nov. 10, 2020**

(54) **TERRESTRIAL UNIT FOR CONNECTIVITY TO A BALLOON NETWORK**

3,071,400 A 1/1963 Bellock
3,090,960 A 5/1963 Ingledew
3,123,665 A 3/1964 Ulrich

(71) Applicant: **LOON LLC**, Mountain View, CA (US)

(Continued)

(72) Inventors: **Mitchell Joseph Heinrich**, San Francisco, CA (US); **Yoshimichi Matsuoka**, Cupertino, CA (US); **Brian Wasson**, Oakland, CA (US)

FOREIGN PATENT DOCUMENTS

JP D1325263 3/2008

(73) Assignee: **Loon LLC**, Mountain View, CA (US)

OTHER PUBLICATIONS

(**) Term: **15 Years**

11 Things You Need to Know About Internet Connectivity Balloons, Blog Poke post 2018. <https://www.blogpoke.com/11-things-you-need-to-know-about-internet-connectivity-ballo...> site visited Jan. 16, 2020.*

(21) Appl. No.: **29/603,496**

(Continued)

(22) Filed: **May 10, 2017**

Primary Examiner — John R Yeh

Related U.S. Application Data

(74) Attorney, Agent, or Firm — Botos Churchill IP Law

(62) Division of application No. 29/540,400, filed on Sep. 24, 2015, now Pat. No. Des. 789,915, which is a division of application No. 29/456,910, filed on Jun. 5, 2013, now Pat. No. Des. 741,843.

(57) **CLAIM**

The ornamental design for a terrestrial unit for connectivity to a balloon network, as shown and described.

(51) **LOC (12) Cl.** **14-03**

DESCRIPTION

(52) **U.S. Cl.**
USPC **D14/230**

(58) **Field of Classification Search**
USPC D14/230; 343/880; D20/41, 10, 17
CPC .. G08B 13/2468; G08B 13/2431; H01Q 1/40;
H01Q 9/26; H01Q 1/12; H01Q 1/08;
H01Q 3/02; H01Q 9/04; H01Q 9/28;
H01Q 21/26

This application is also related to U.S. Patent Application Ser. No. 29/540,393 filed on Sept. 24, 2015. The entire disclosure contents of these applications are herewith incorporated by reference into the present application.

FIG. 1 is terrestrial unit for connectivity to a balloon network in a perspective view;
FIG. 2 is a right side view thereof;
FIG. 3 is a left side view thereof;
FIG. 4 is a front view thereof;
FIG. 5 is a rear view thereof;
FIG. 6 is a top view thereof; and,
FIG. 7 is a bottom view thereof.

See application file for complete search history.

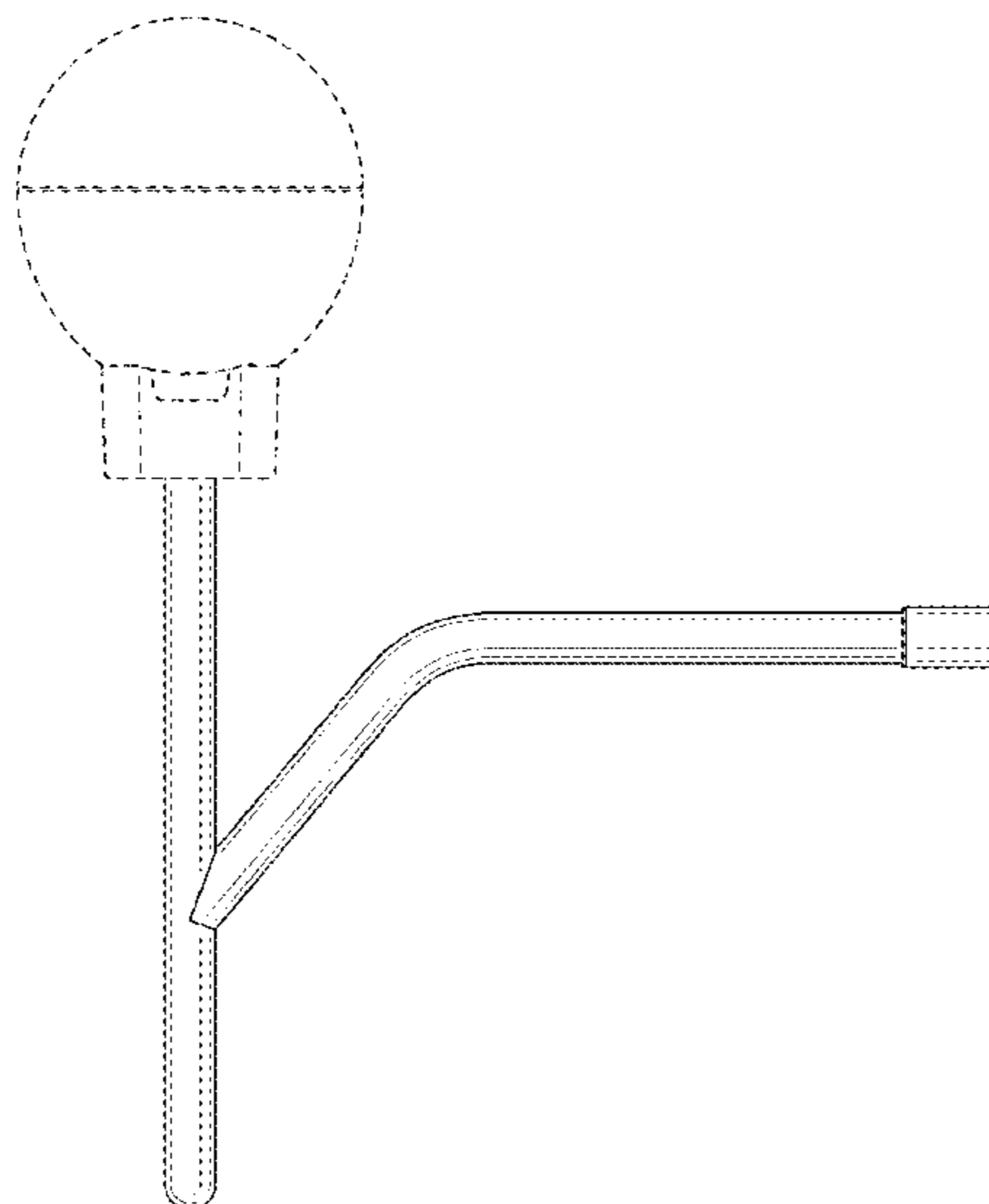
The broken lines represent portions of the terrestrial unit for connectivity to a balloon network that form no part of the claimed design.

(56) **References Cited**

U.S. PATENT DOCUMENTS

D45,811 S 5/1914 Klein
1,636,684 A 7/1927 Culver
D93,714 S 10/1934 Griffin
2,553,295 A * 5/1951 Bock H01Q 1/1221
343/720

1 Claim, 7 Drawing Sheets



(56)

References Cited

U.S. PATENT DOCUMENTS

3,268,897 A 8/1966 Link
 3,402,009 A 9/1968 Sawyer
 3,465,345 A * 9/1969 Purington H01Q 1/12
 343/885
 3,487,413 A 12/1969 Shores
 4,081,784 A 3/1978 Wilson et al.
 4,242,822 A 1/1981 Black
 D338,206 S 8/1993 Sawaguchi et al.
 D362,443 S 9/1995 Inoue
 D366,487 S 1/1996 Jones
 D387,771 S 12/1997 Martinson et al.
 D393,879 S 4/1998 Veto
 D399,263 S 10/1998 Christopher
 D401,593 S 11/1998 Nishimura et al.
 D401,594 S 11/1998 Nishimura et al.
 D421,439 S 3/2000 Giuntoli
 D488,463 S * 4/2004 Ianacone D10/104.1
 6,768,474 B2 * 7/2004 Hunt H01Q 1/1228
 248/218.4
 D518,819 S 4/2006 Gray
 7,036,255 B1 5/2006 Santana et al.
 D557,260 S 12/2007 Westerling et al.
 7,460,081 B2 * 12/2008 Holle H01Q 1/1228
 343/878
 D617,319 S 6/2010 Maffetone et al.
 D697,976 S 1/2014 Kurmlavage
 D723,523 S * 3/2015 Buhler D14/230
 D748,079 S * 1/2016 Dinsdale D14/230
 D752,027 S 3/2016 Yang et al.

D754,255 S 4/2016 Bigham et al.
 D773,443 S 12/2016 Sano
 D775,331 S * 12/2016 Buhler D24/133
 D790,515 S * 6/2017 Heinrich D14/230
 2011/0140983 A1 6/2011 Hills et al.
 2011/0205142 A1 * 8/2011 Lettkeman F16M 13/022
 343/882
 2014/0070069 A1 * 3/2014 Taeger H01Q 1/1214
 248/519
 2015/0023517 A1 1/2015 Mizrahi
 2016/0079680 A1 3/2016 Stottrup
 2016/0199250 A1 7/2016 Dills

OTHER PUBLICATIONS

Google's Project Loon : Offers Internet via Balloons, article date Jun. 16, 2013, online, site visited May 4, 2015, <http://news.thewindowsclub.com/>.
 Jul. 2014 Balloon News, online, site visited May 4, 2015, <https://balloonnews.wordpress.com/2014/07/>.
 Network in the sky, google publish date Jun. 15, 2013, online, site visited May 4, 2015, https://www.academia.edu/10913290/NETWORK_IN_THE_SKY.
 Project Loon Ubiquiti Networks Community, post date Jun. 17, 2013, site visited Mar. 6, 2017, <https://community.ubnt.com/t5/The-Lounge/Project-Loon/td-p/492565>.
 Project loon antenna system, video upload date Oct. 18, 2013, online, site visited May 4, 2015, <http://www.engadget.com/2013/10/19/project-loon-antenna-anatomy-lesson/>.

* cited by examiner

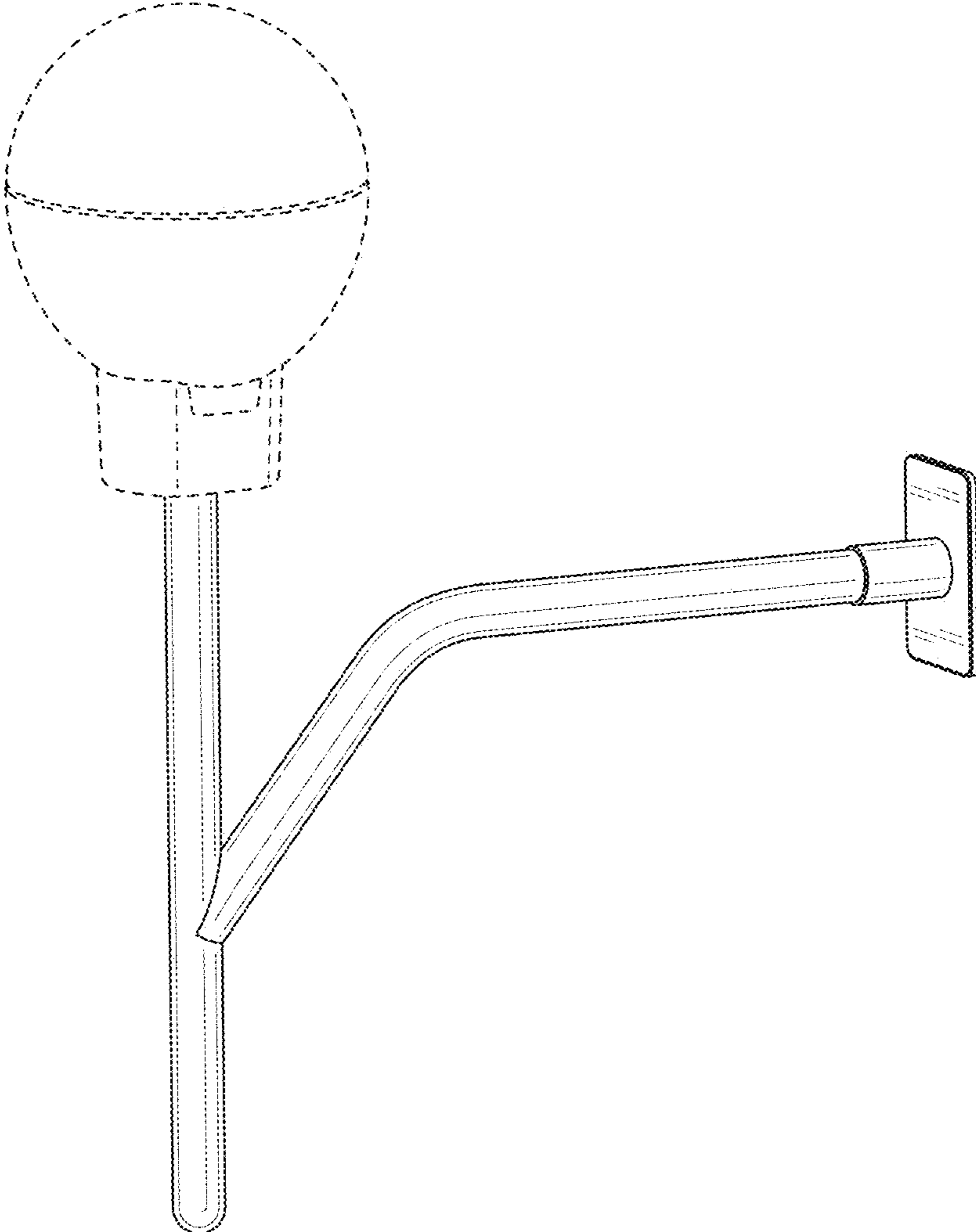


FIG. 1

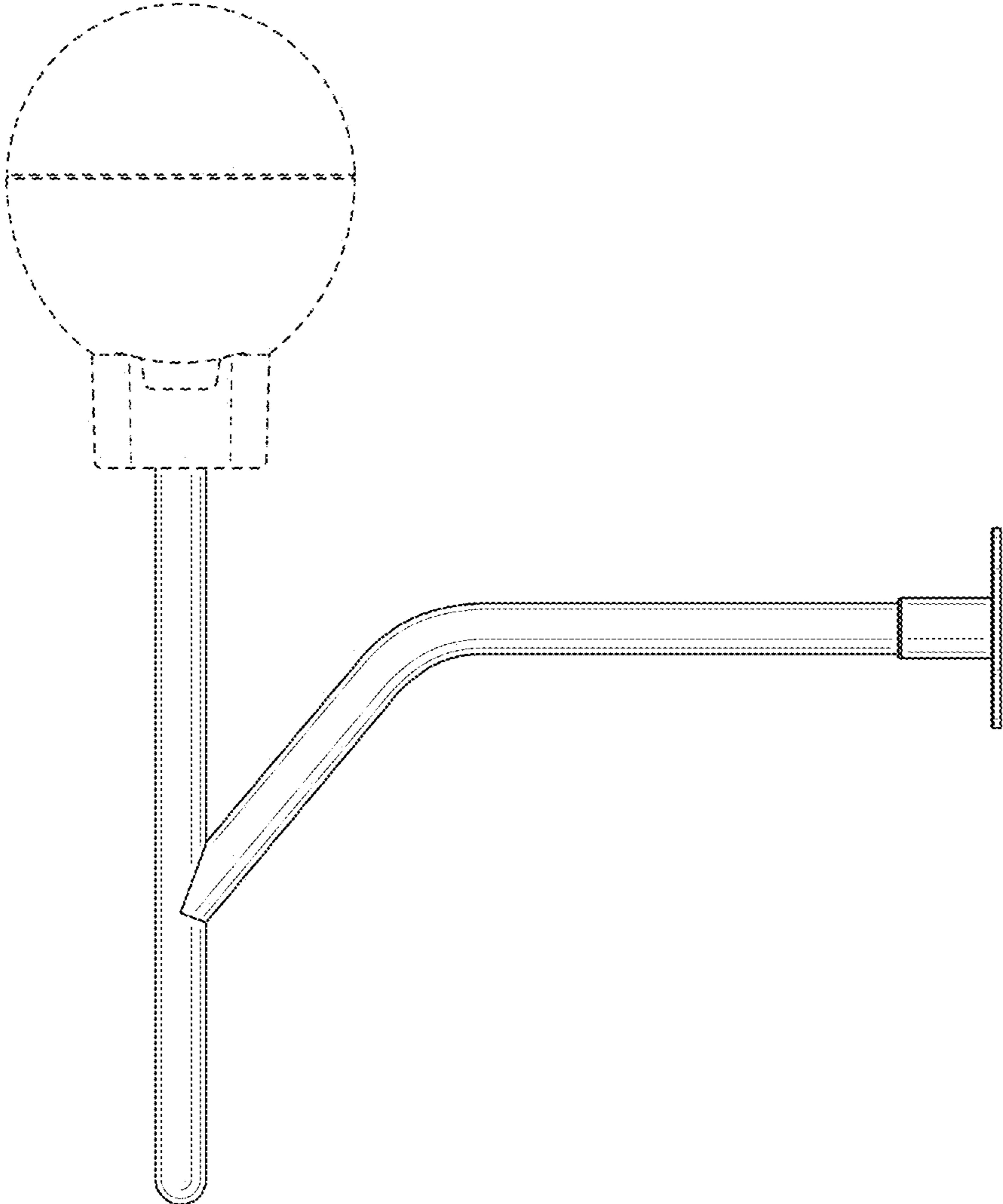


FIG. 2

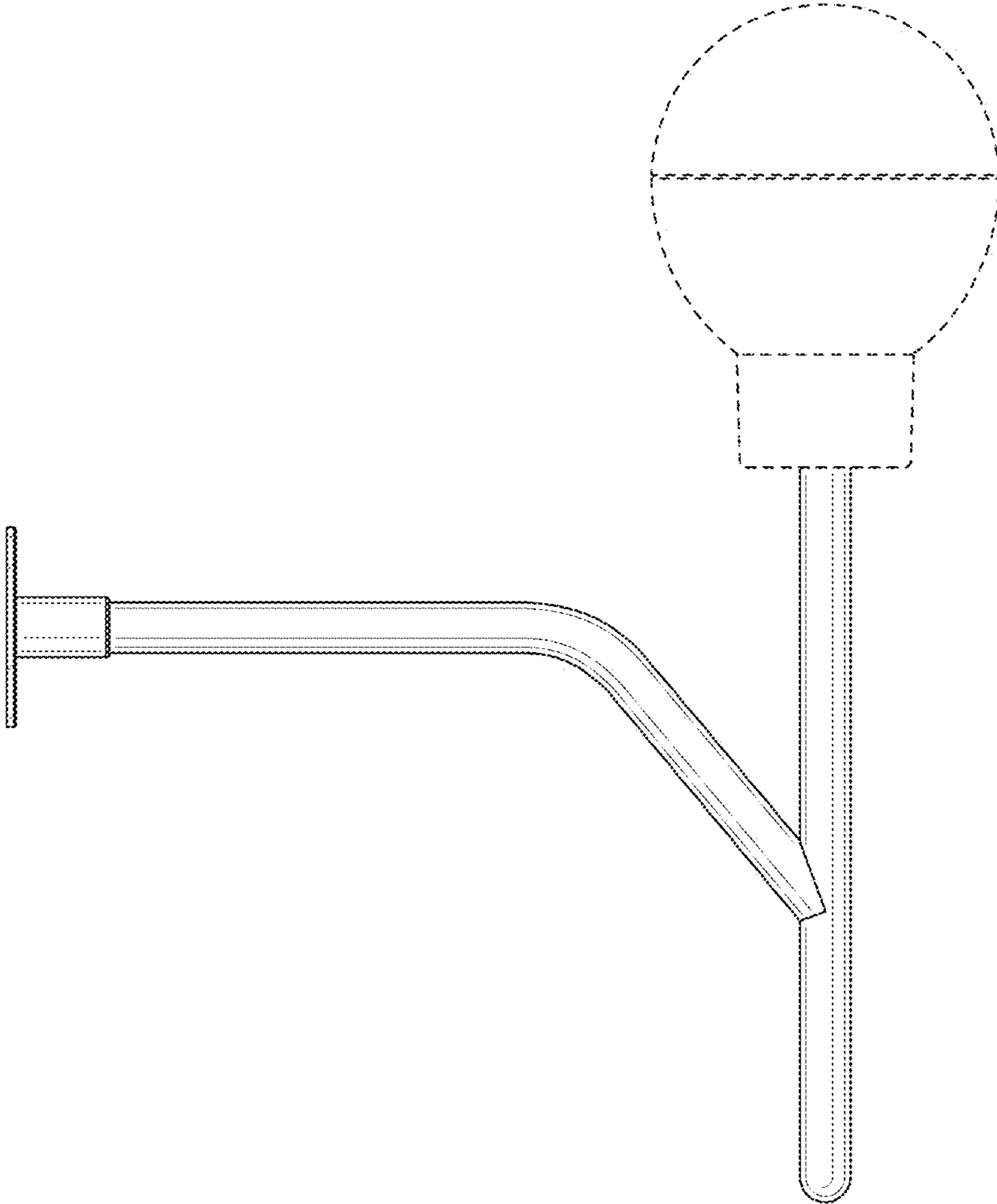


FIG. 3

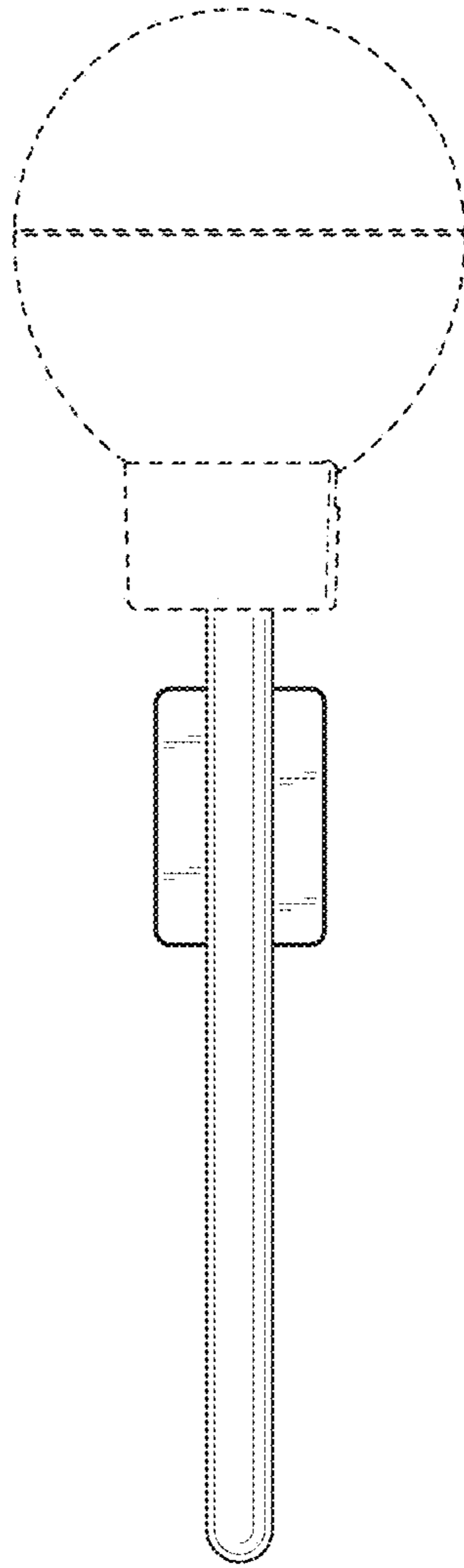


FIG. 4

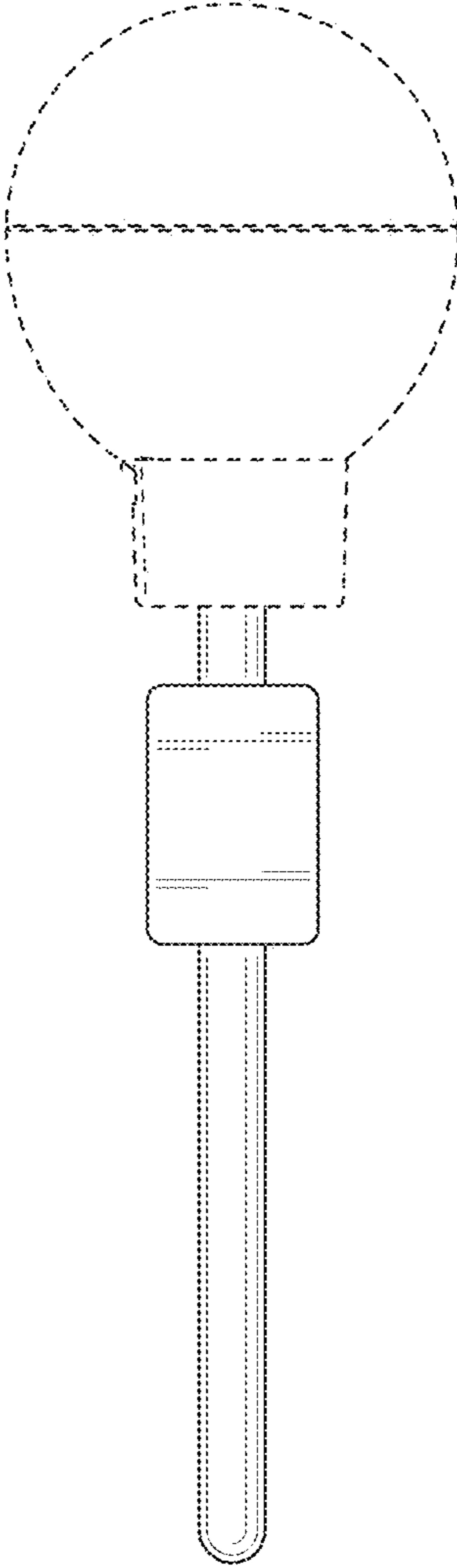


FIG. 5

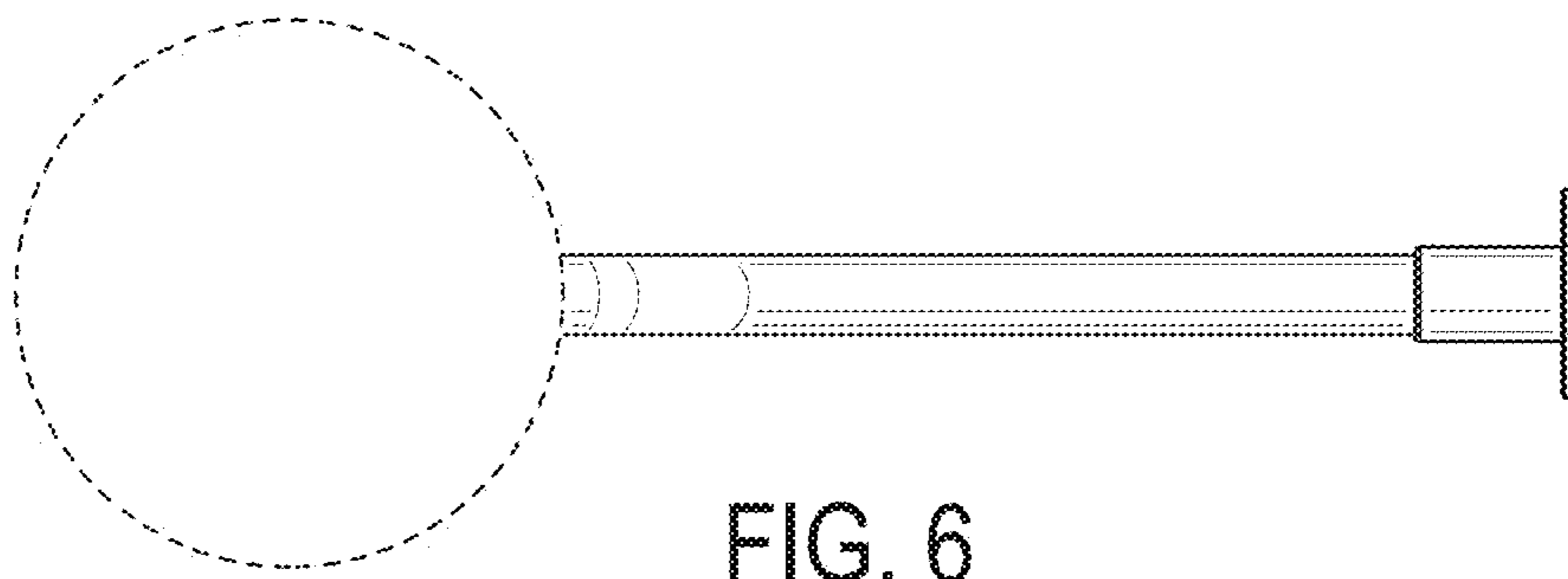


FIG. 6

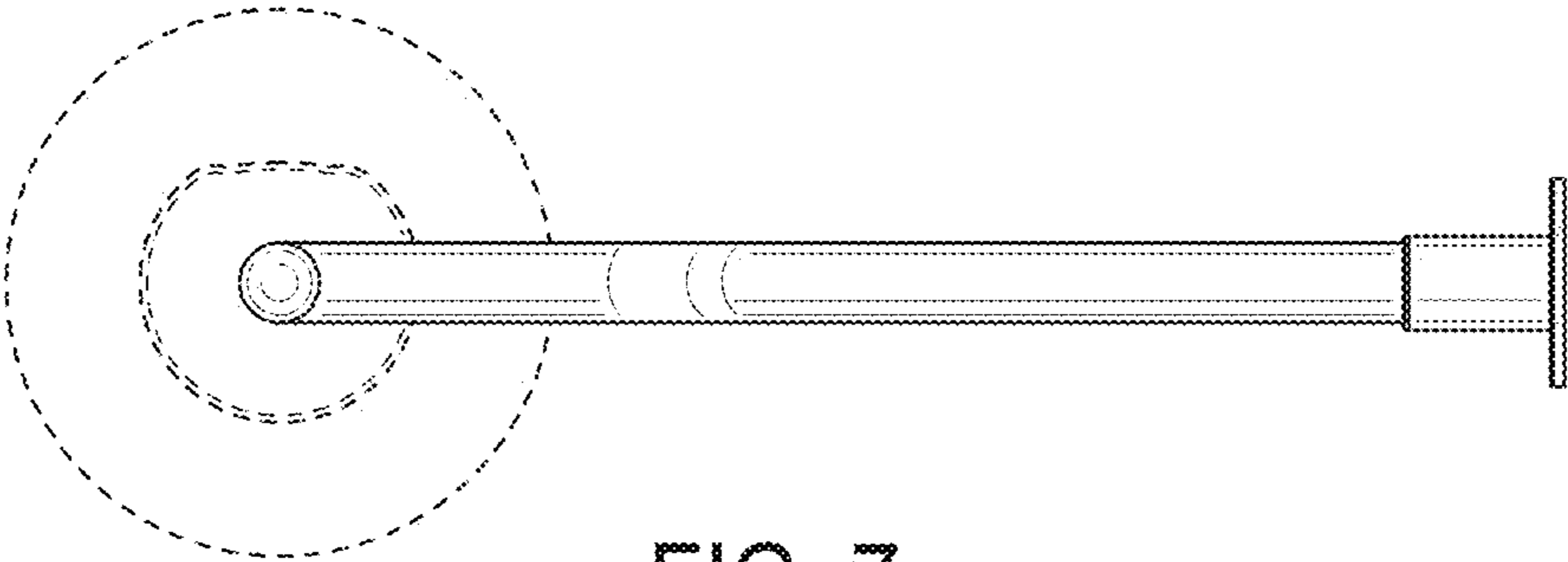


FIG. 7