



US00D901458S

(12) **United States Design Patent** (10) **Patent No.:** **US D901,458 S**  
**Plenge** (45) **Date of Patent:** **\*\* Nov. 10, 2020**

(54) **MICROPHONE**  
(71) Applicant: **G.R.A.S. Sound & Vibration A/S,**  
Holte (DK)  
(72) Inventor: **Gert Plenge,** Olstykke (DK)  
(73) Assignee: **G.R.A.S. Sound & Vibration A/S,**  
Holte (DK)  
(\*\*) Term: **15 Years**  
(21) Appl. No.: **29/691,261**  
(22) Filed: **May 15, 2019**  
(30) **Foreign Application Priority Data**  
Nov. 19, 2018 (EM) ..... 005827862-0001  
(51) **LOC (12) Cl.** ..... **14-01**  
(52) **U.S. Cl.**  
USPC ..... **D14/228**  
(58) **Field of Classification Search**  
USPC ..... D14/224-229; D16/244; D17/99;  
D6/681; 248/125.1, 166, 185.1;  
381/355, 359, 361-363, 365, 366, 369,  
381/375; 379/428.01, 428.04, 431,  
379/433.03  
CPC . H04R 25/00; H04R 1/02; H04R 5/02; H04R  
9/08; F16M 11/38; F16M 13/00; F16M  
11/00  
See application file for complete search history.

(56) **References Cited**  
U.S. PATENT DOCUMENTS  
2,104,433 A \* 1/1938 Marshall ..... H04R 1/2819  
381/177  
D323,327 S \* 1/1992 Davidson ..... D14/219

D362,442 S \* 9/1995 Goldfarb ..... D14/215  
D415,162 S \* 10/1999 Chen ..... D14/227  
D584,295 S \* 1/2009 Kellar ..... D14/228  
D656,130 S \* 3/2012 Bailey ..... D14/227  
D743,383 S \* 11/2015 Hinokio ..... D14/225  
D784,963 S \* 4/2017 Saule ..... D14/228  
D834,567 S \* 11/2018 Snyder ..... D14/228  
D856,961 S \* 8/2019 Suzuki ..... D14/149  
D875,085 S \* 2/2020 Sahlin ..... D14/228  
D876,400 S \* 2/2020 Russo ..... D14/228  
D878,339 S \* 3/2020 Chen ..... D14/226

\* cited by examiner  
*Primary Examiner* — Katie Jane Stofko  
(74) *Attorney, Agent, or Firm* — Merchant & Gould P.C.

(57) **CLAIM**  
The ornamental design for a microphone, as shown and described.

**DESCRIPTION**  
FIG. 1 is a front view of a microphone showing my new design;  
FIG. 2 is a left side view thereof;  
FIG. 3 is is a back view thereof;  
FIG. 4 is is a right side view thereof;  
FIG. 5 is is a perspective view thereof;  
FIG. 6 is is a bottom view thereof; and,  
FIG. 7 is a top view thereof.

**1 Claim, 7 Drawing Sheets**

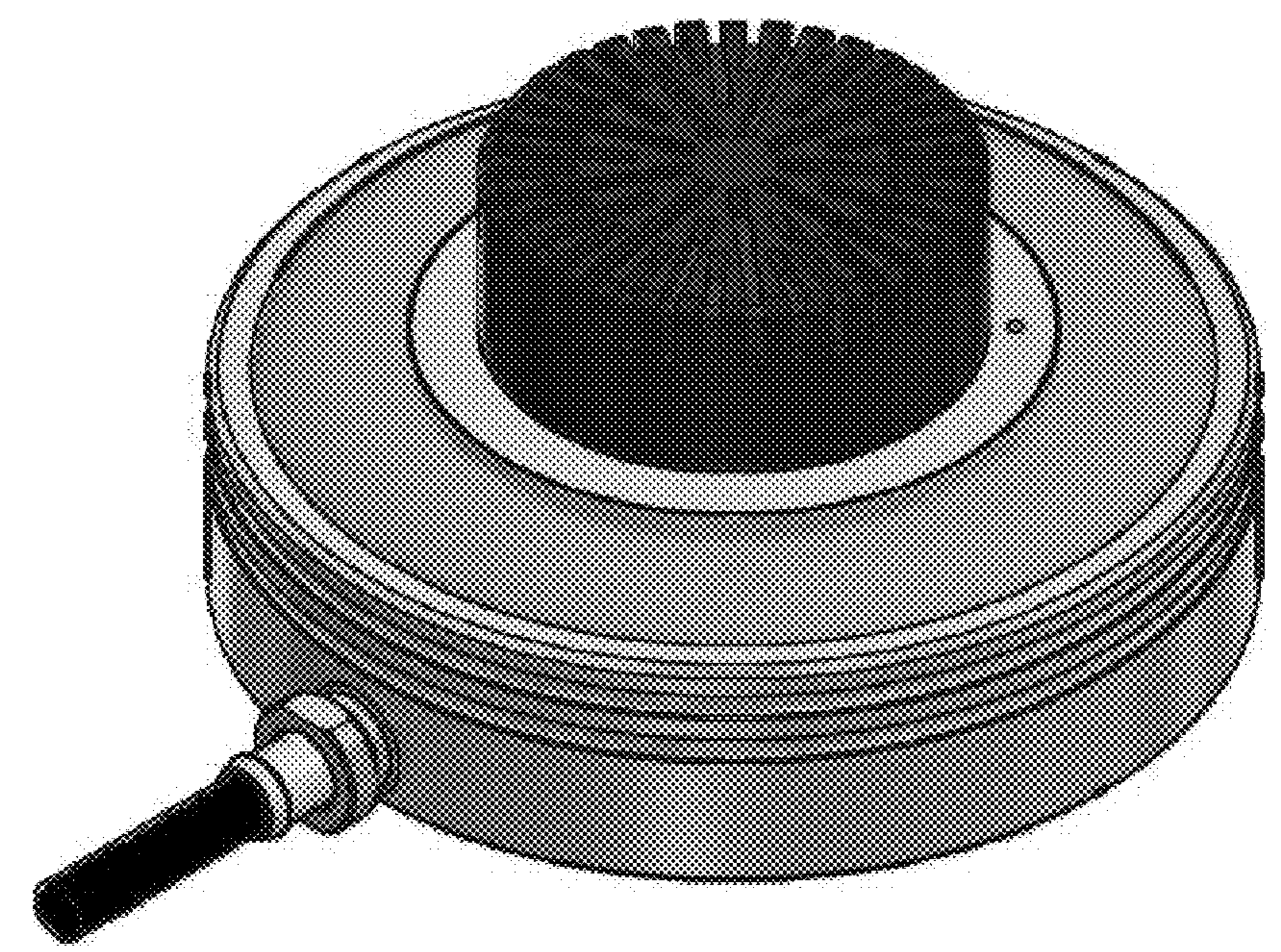






Figure 1



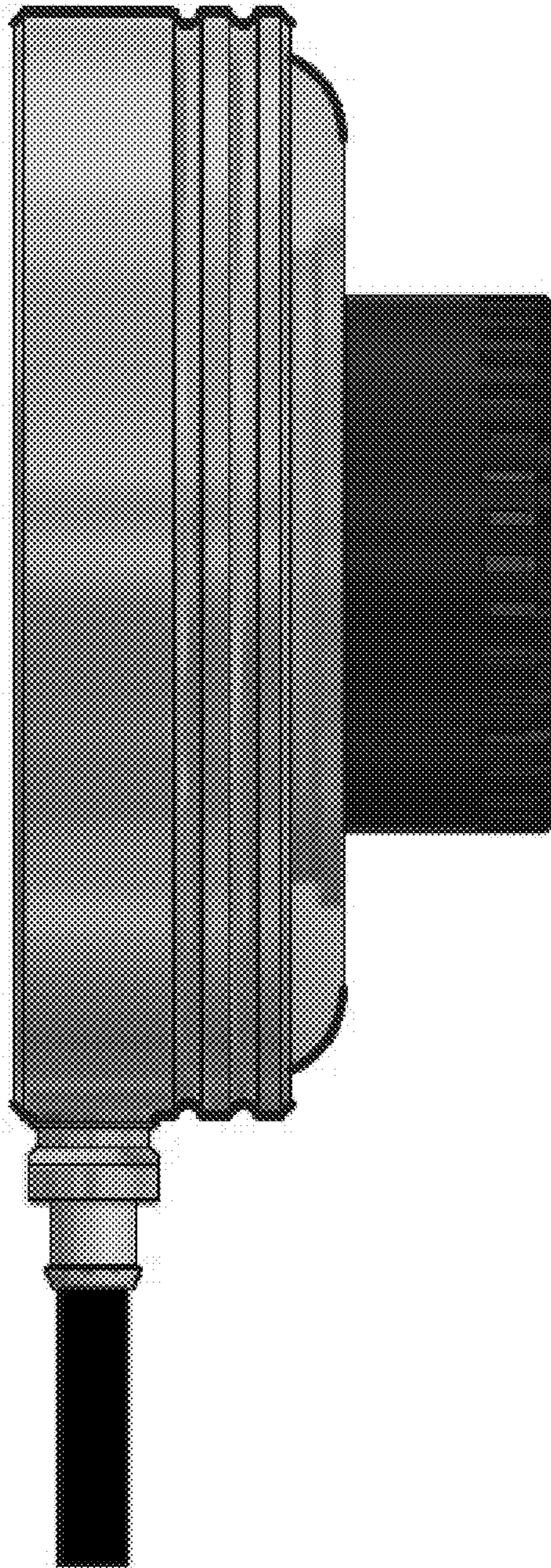


Figure 2





Figure 3



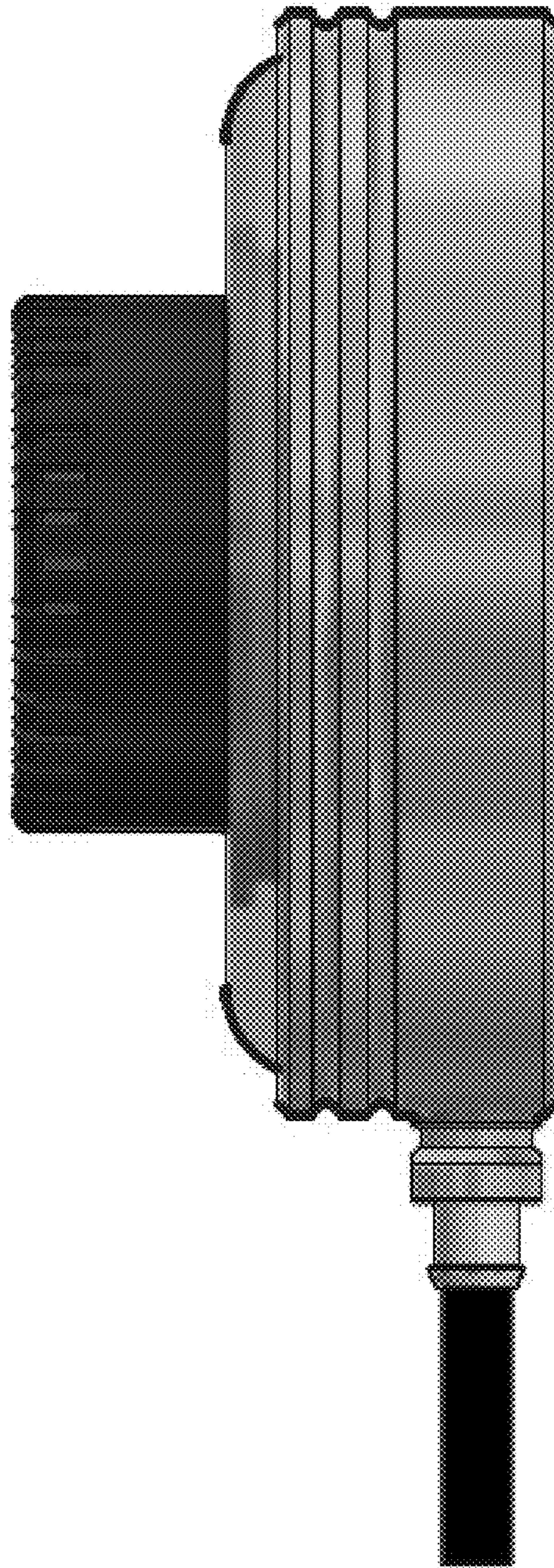


Figure 4



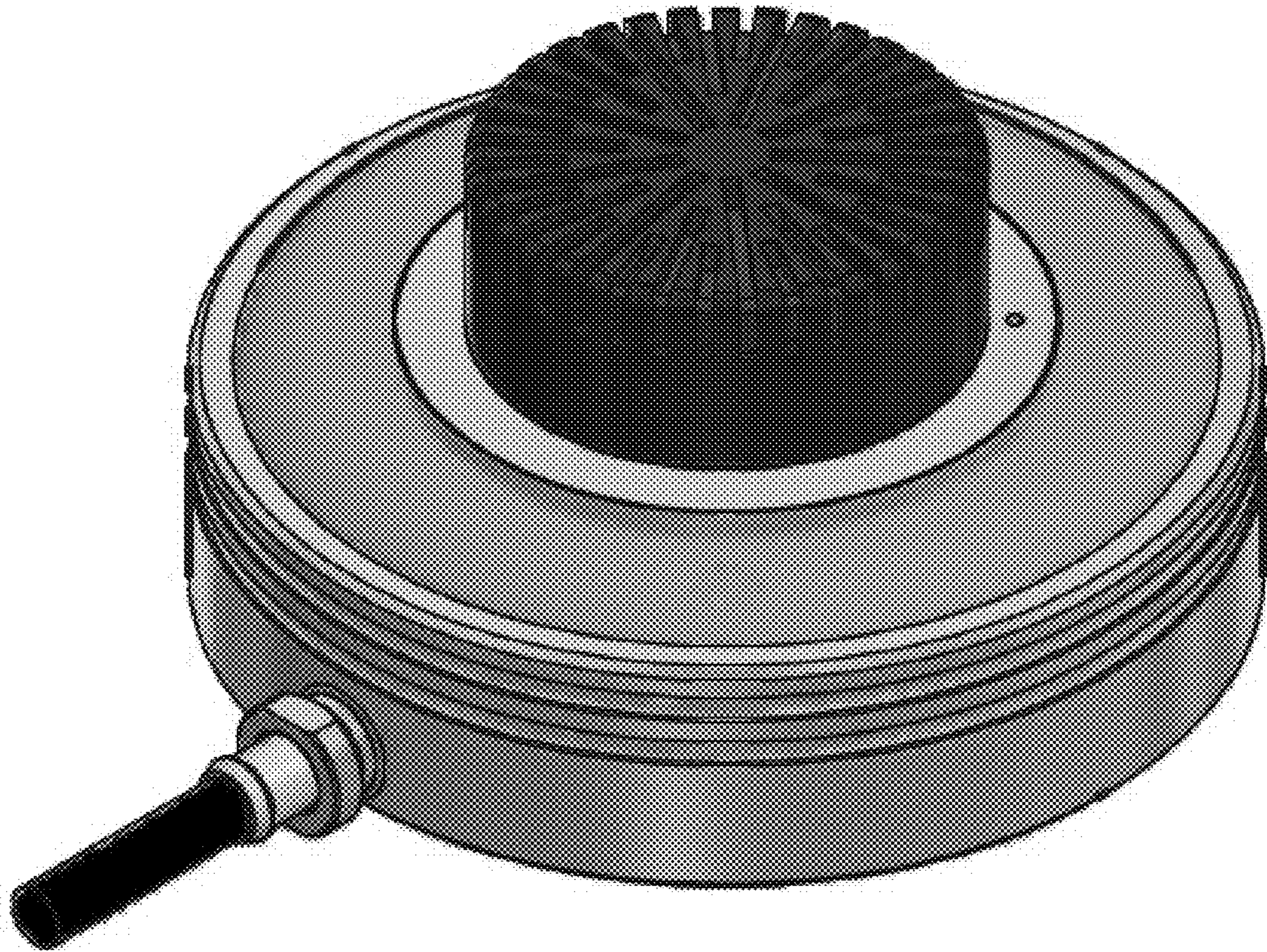


Figure 5





Figure 6





Figure 7