



US00D901457S

(12) **United States Design Patent**
Zhang

(10) **Patent No.:** **US D901,457 S**

(45) **Date of Patent:** **** Nov. 10, 2020**

(54) **WIRELESS HEADSET**

(71) Applicant: **Shenzhen Wireless Cloud Image Electronics Co., Ltd., Shenzhen (CN)**

(72) Inventor: **Yong Zhang, Shenzhen (CN)**

(**) Term: **15 Years**

(21) Appl. No.: **29/736,767**

(22) Filed: **Jun. 3, 2020**

(51) **LOC (12) Cl.** **14-01**

(52) **U.S. Cl.**
USPC **D14/223**

(58) **Field of Classification Search**
USPC D14/223, 205; D24/174; 128/864, 865, 128/866; 181/130, 135; 455/90.3, 575.1, 455/569.1; D13/107, 108
CPC H04R 1/10; H04R 25/00; H04R 25/02; H04R 1/1016; H04R 1/1066; H04R 1/20; H04R 1/1091; H02J 7/00
See application file for complete search history.

D707,205 S * 6/2014 Wenger H04R 25/00
D14/223

D707,206 S 6/2014 Akana et al.

D733,101 S * 6/2015 Pi D14/223

D742,859 S * 11/2015 Miyake D14/223

D746,268 S * 12/2015 Karayiannis D14/223

D757,682 S * 5/2016 Perez D14/205

D762,616 S * 8/2016 Hsieh D14/205

D770,412 S * 11/2016 Son D14/205

D775,463 S * 1/2017 Shieh D3/215

D801,314 S * 10/2017 Akana D14/223

D803,184 S * 11/2017 Loh Jun Kern D14/205

D804,806 S * 12/2017 Stueckemann D3/203.2

D806,388 S * 1/2018 Akana D3/294

D813,849 S * 3/2018 Andreen D14/223

D818,268 S * 5/2018 Akana D3/294

D820,810 S * 6/2018 Levine D14/205

(Continued)

FOREIGN PATENT DOCUMENTS

KR 300961710.0000 * 6/2018

Primary Examiner — Paula Allen Greene

(57) **CLAIM**

The ornamental design for a wireless headset, as shown and described.

DESCRIPTION

FIG. 1 is a first perspective view of a wireless headset showing my new design;

FIG. 2 is a second perspective view thereof;

FIG. 3 is a front view thereof;

FIG. 4 is a back view thereof;

FIG. 5 is a left side view thereof;

FIG. 6 is a right side view thereof;

FIG. 7 is a top view thereof; and,

FIG. 8 is a bottom view thereof.

The broken lines shown in the drawings depict portions of the wireless headset in which the design is embodied that form no part of the claimed design.

1 Claim, 8 Drawing Sheets

(56) **References Cited**
U.S. PATENT DOCUMENTS

D554,109 S * 10/2007 Ledbetter D14/223

D555,152 S * 11/2007 Wang D14/223

D573,978 S * 7/2008 Ledbetter D14/205

D595,273 S * 6/2009 Kim D14/223

D604,718 S * 11/2009 Paterson D14/206

D627,765 S * 11/2010 Zheng D14/223

D645,849 S * 9/2011 Kim D14/223

D671,531 S * 11/2012 Kim D14/223

D673,531 S * 1/2013 Lee D14/223

D674,376 S * 1/2013 Kelly D14/223

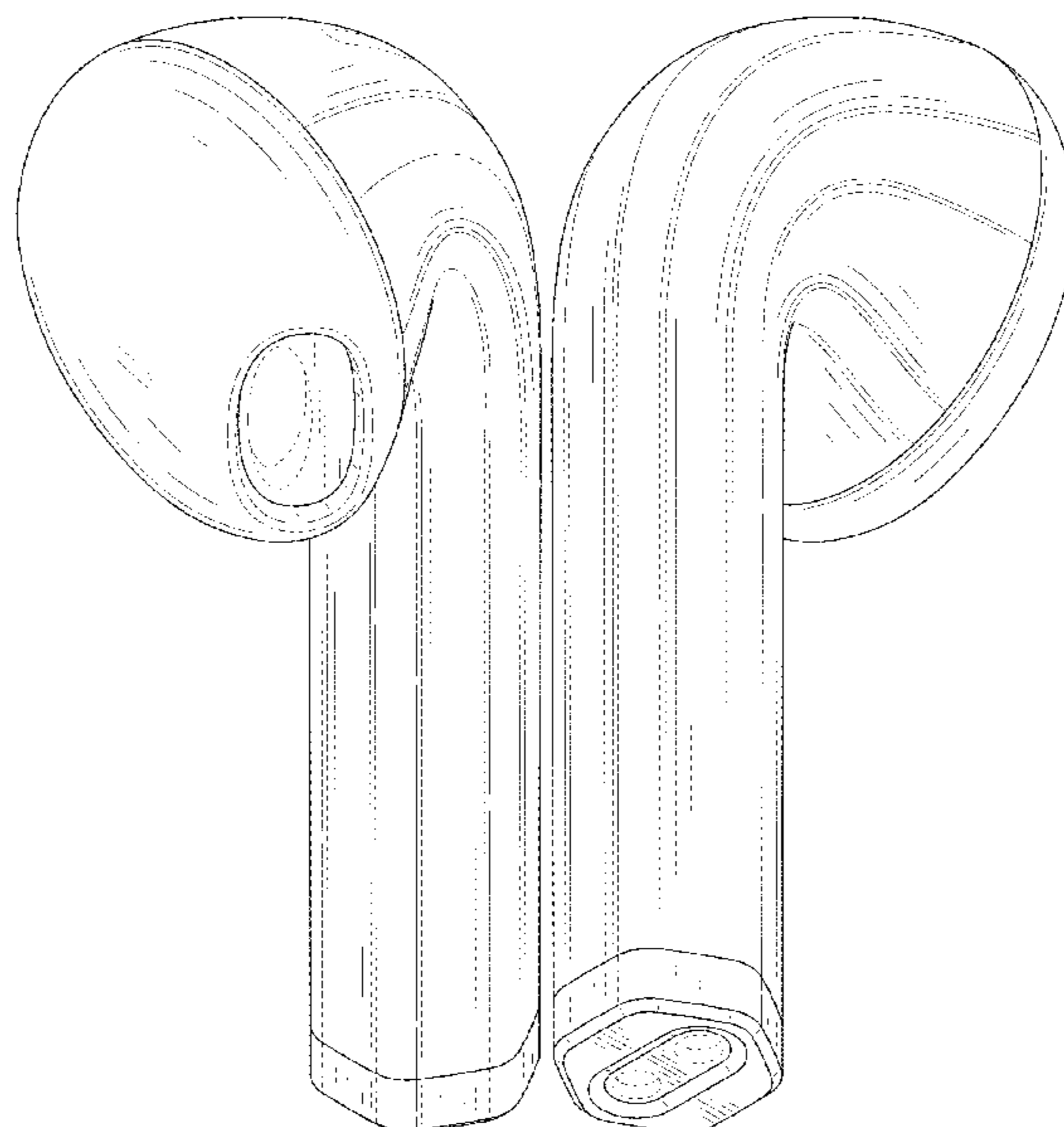
D679,267 S * 4/2013 Lee D14/223

D689,043 S * 9/2013 Burt D14/223

D691,594 S * 10/2013 Akana D14/223

D695,724 S * 12/2013 Ishikura D14/223

D697,050 S * 1/2014 Thompson D14/206



(56)

References Cited

U.S. PATENT DOCUMENTS

D829,193	S	*	9/2018	Cai	D14/223
D830,345	S	*	10/2018	Cai	D14/223
D847,125	S	*	4/2019	Akana	D14/223
D847,794	S	*	5/2019	Guo	D14/223
D847,795	S	*	5/2019	Kim	D14/223
D848,980	S	*	5/2019	Kim	D14/223
D848,982	S	*	5/2019	Kim	D14/223
D848,983	S	*	5/2019	Kim	D14/223
D861,647	S	*	10/2019	Chen	D14/223
D864,169	S	*	10/2019	Min	D14/223
D865,720	S	*	11/2019	Deng	D14/223
D869,445	S	*	12/2019	Hu	D14/223
D872,711	S	*	1/2020	Hu	D14/223
D877,722	S	*	3/2020	Yang	D14/223
D878,045	S	*	3/2020	Akana	D3/274
D878,337	S	*	3/2020	Yang	D14/223
D881,572	S	*	4/2020	Wang	D3/294
D881,810	S	*	4/2020	Zhang	D13/108
D881,850	S	*	4/2020	Zhang	D14/223
D883,260	S	*	5/2020	Hu	D14/223
D883,960	S	*	5/2020	Du	D14/223
D885,373	S	*	5/2020	Lundback	D14/223
D890,725	S	*	7/2020	Liu	D14/223
2011/0103637	A1	*	5/2011	Yuen	H04R 1/1041 381/380
2012/0237074	A1	*	9/2012	Aase	H04R 1/1075 381/380
2012/0275635	A1	*	11/2012	Chen	H04R 1/1075 381/380
2013/0343585	A1	*	12/2013	Bennett	H04R 25/554 381/315
2015/0382100	A1	*	12/2015	Azmi	H04R 1/2811 381/380
2017/0026738	A1	*	1/2017	Tang	H04R 1/1091
2017/0164087	A1	*	6/2017	Kurtz	H04R 1/1066

* cited by examiner

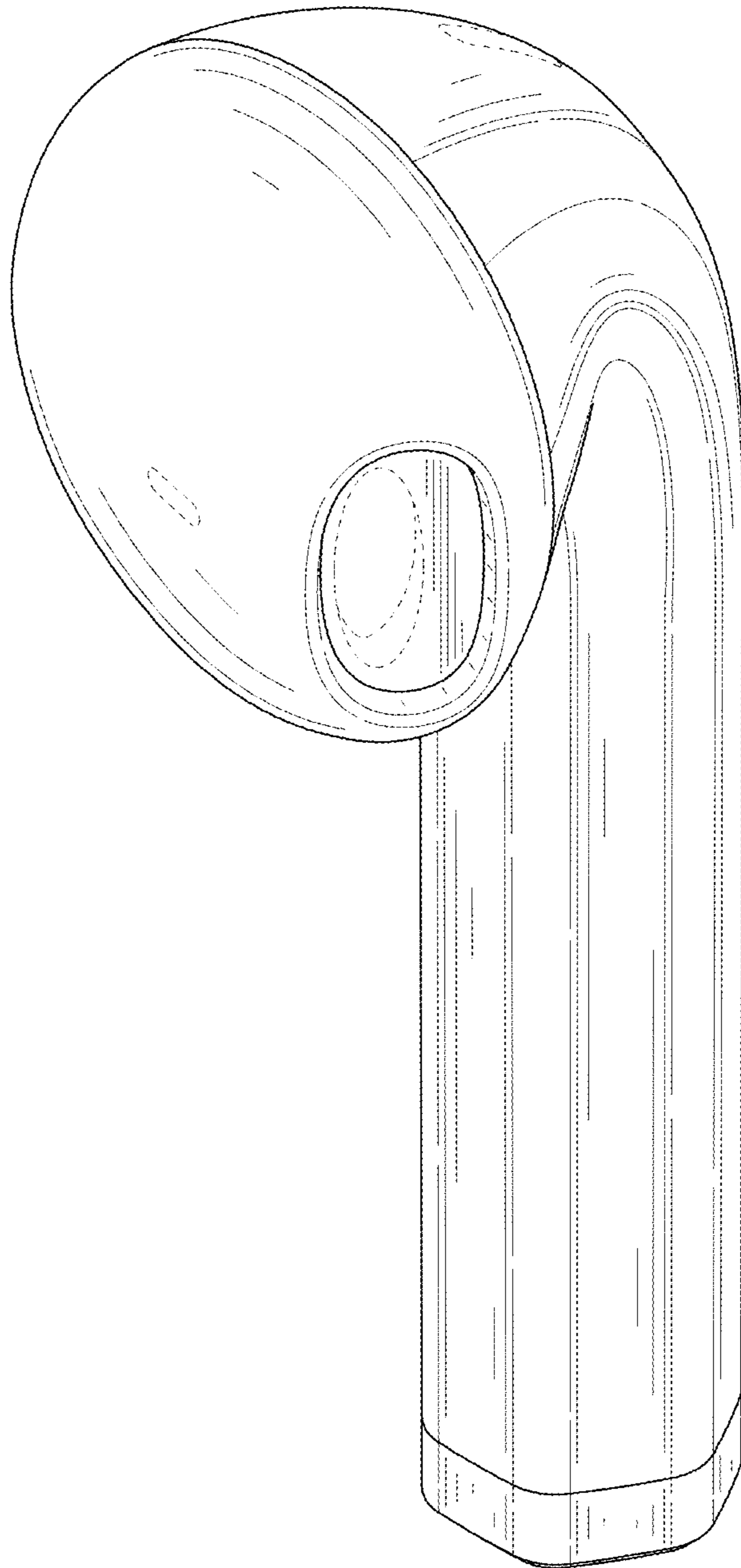


FIG. 1

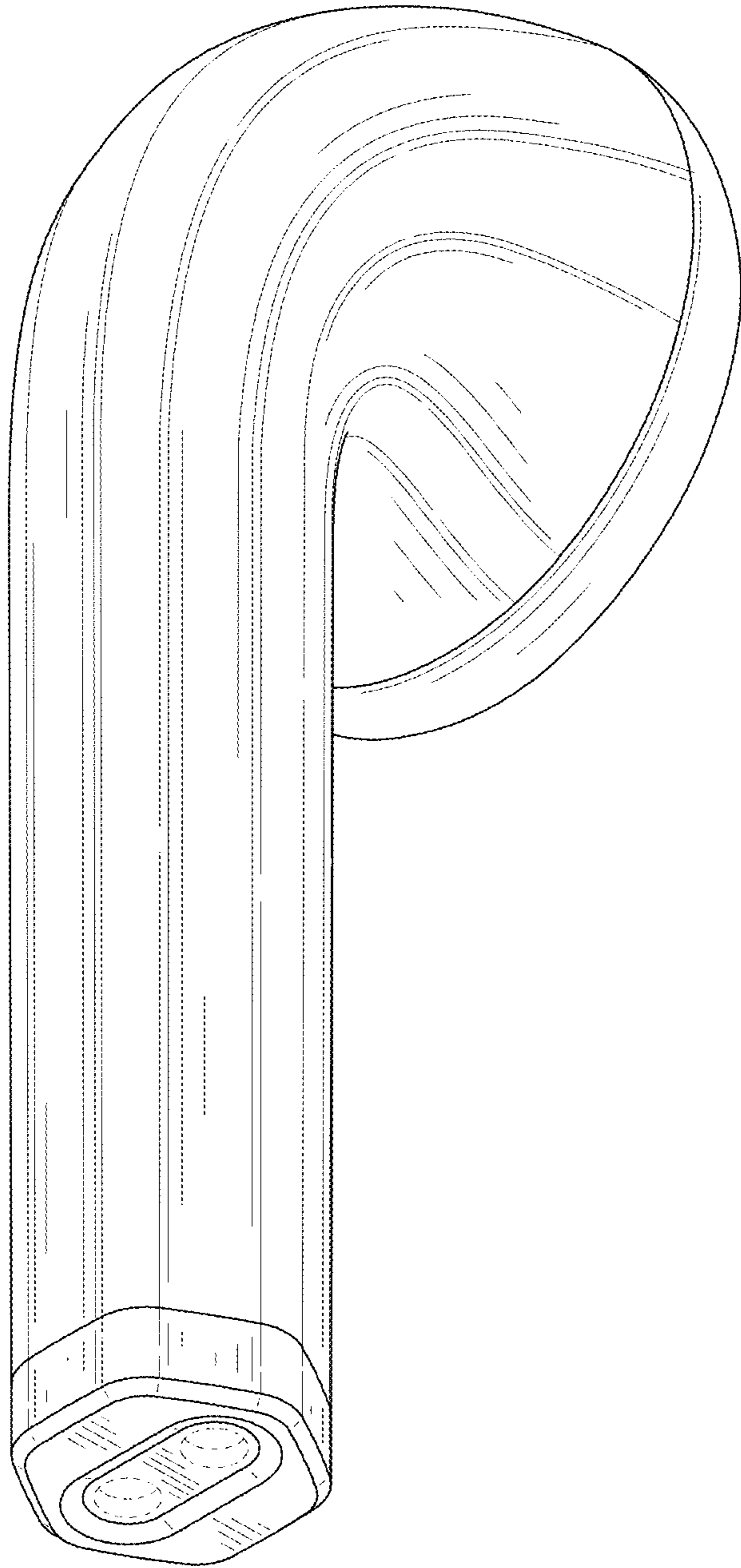


FIG. 2

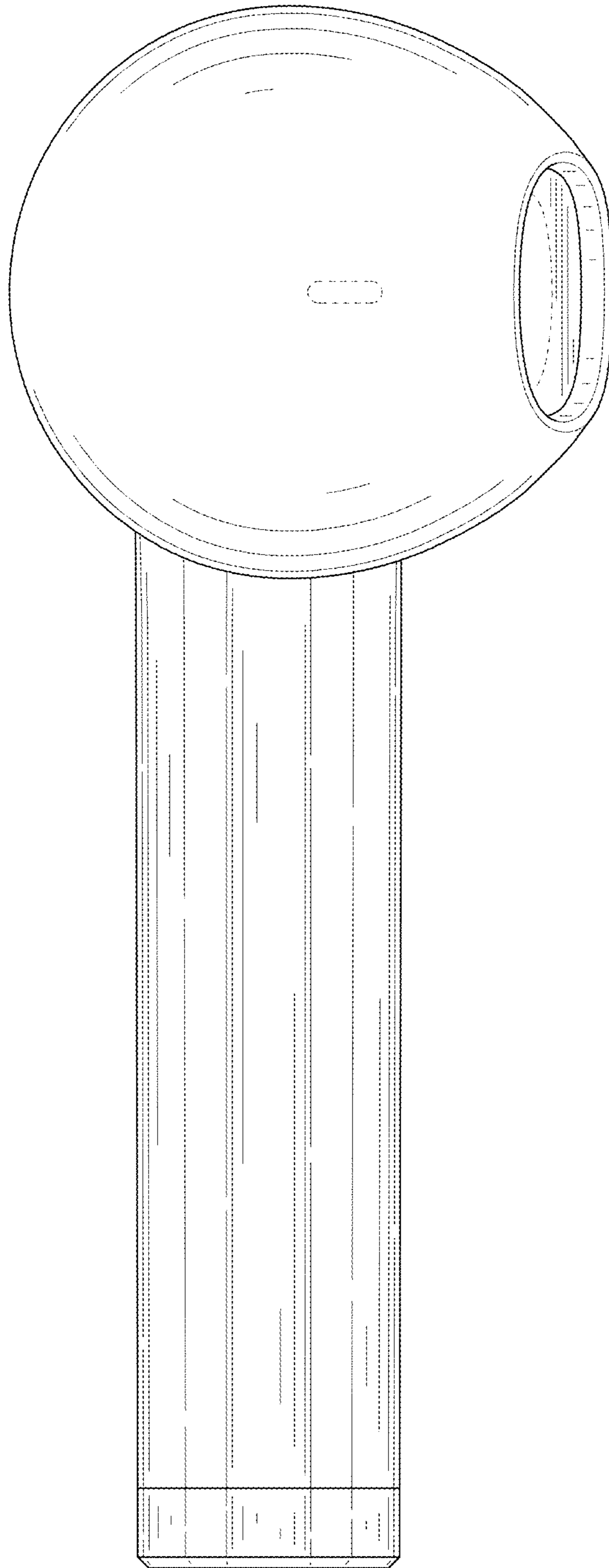


FIG. 3

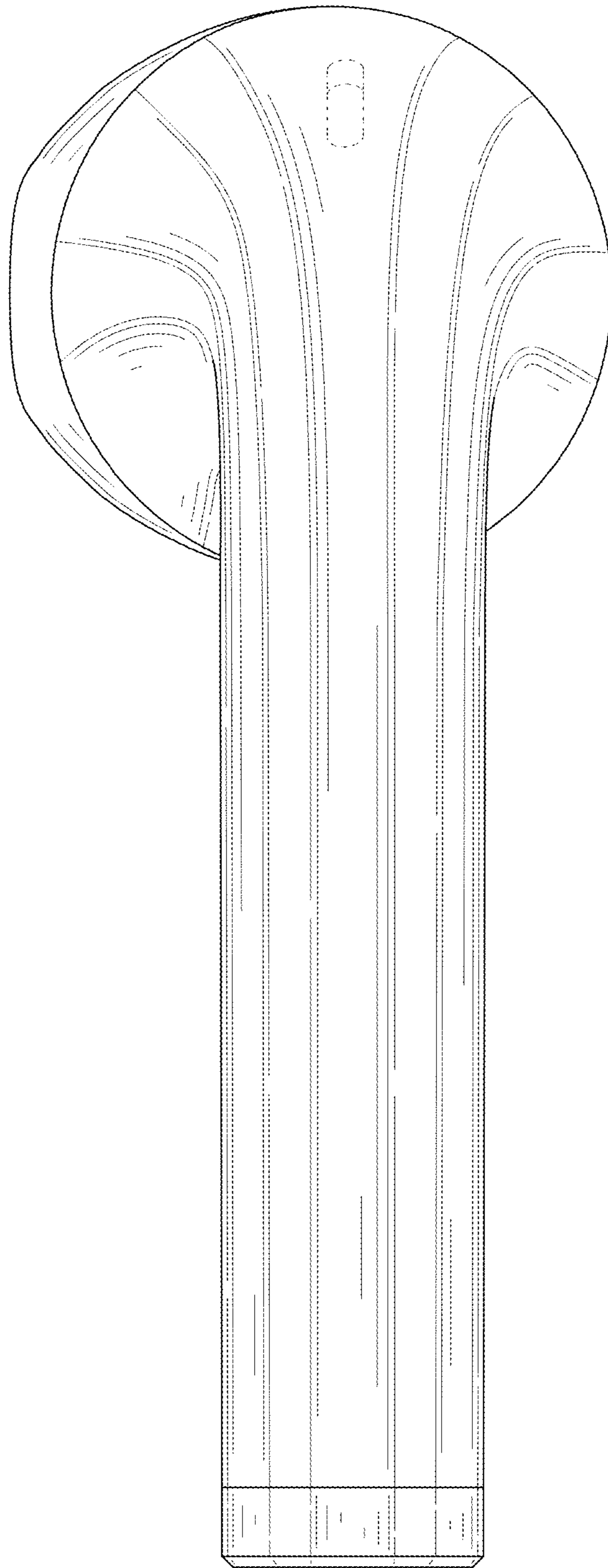


FIG. 4

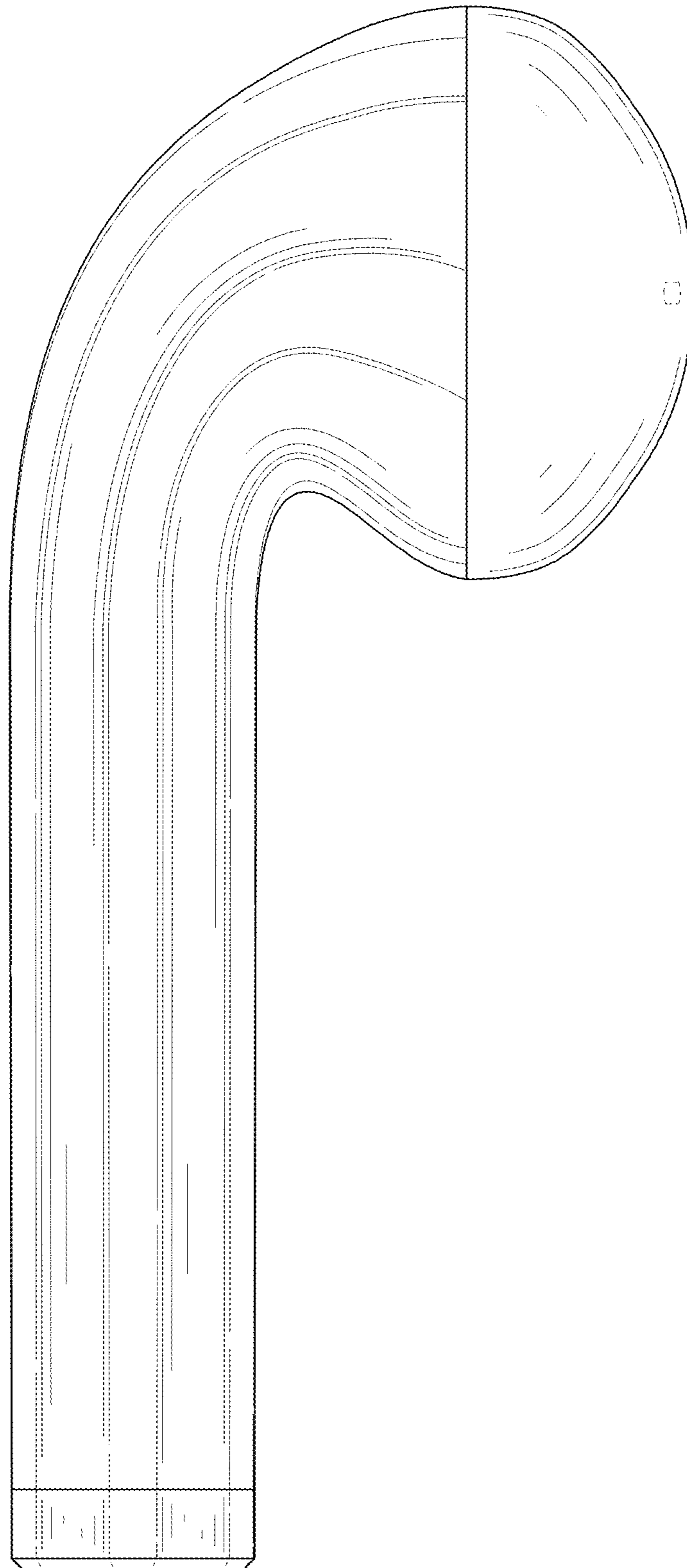


FIG. 5

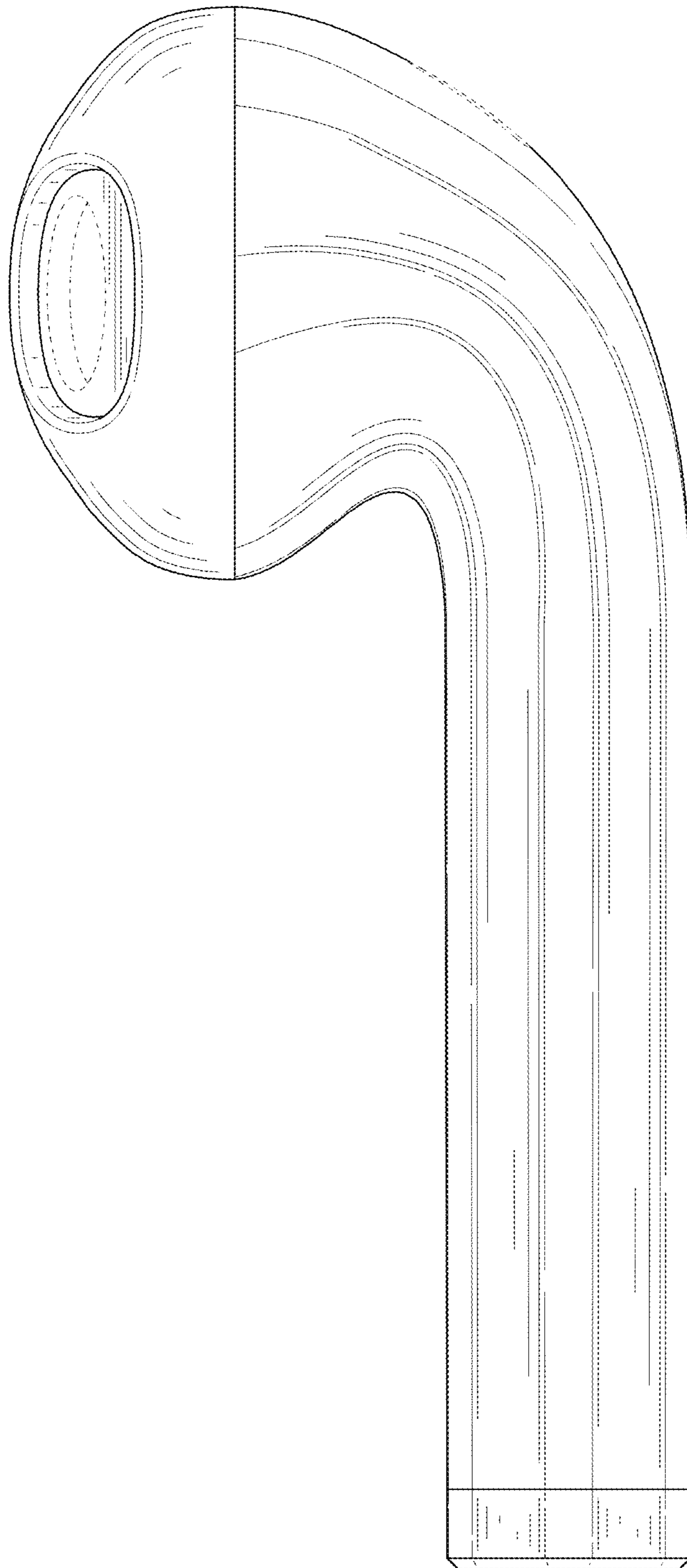


FIG. 6

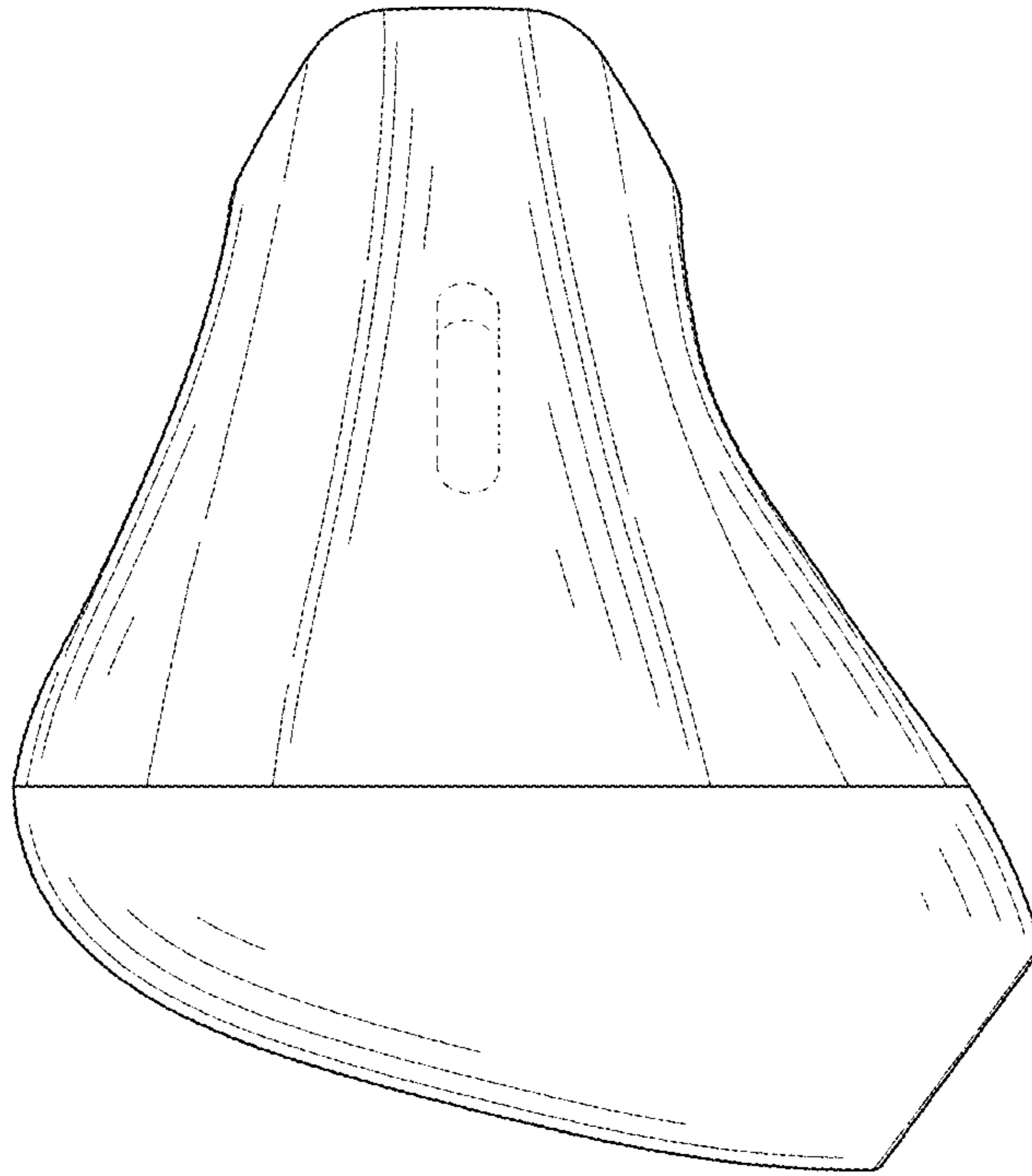


FIG. 7

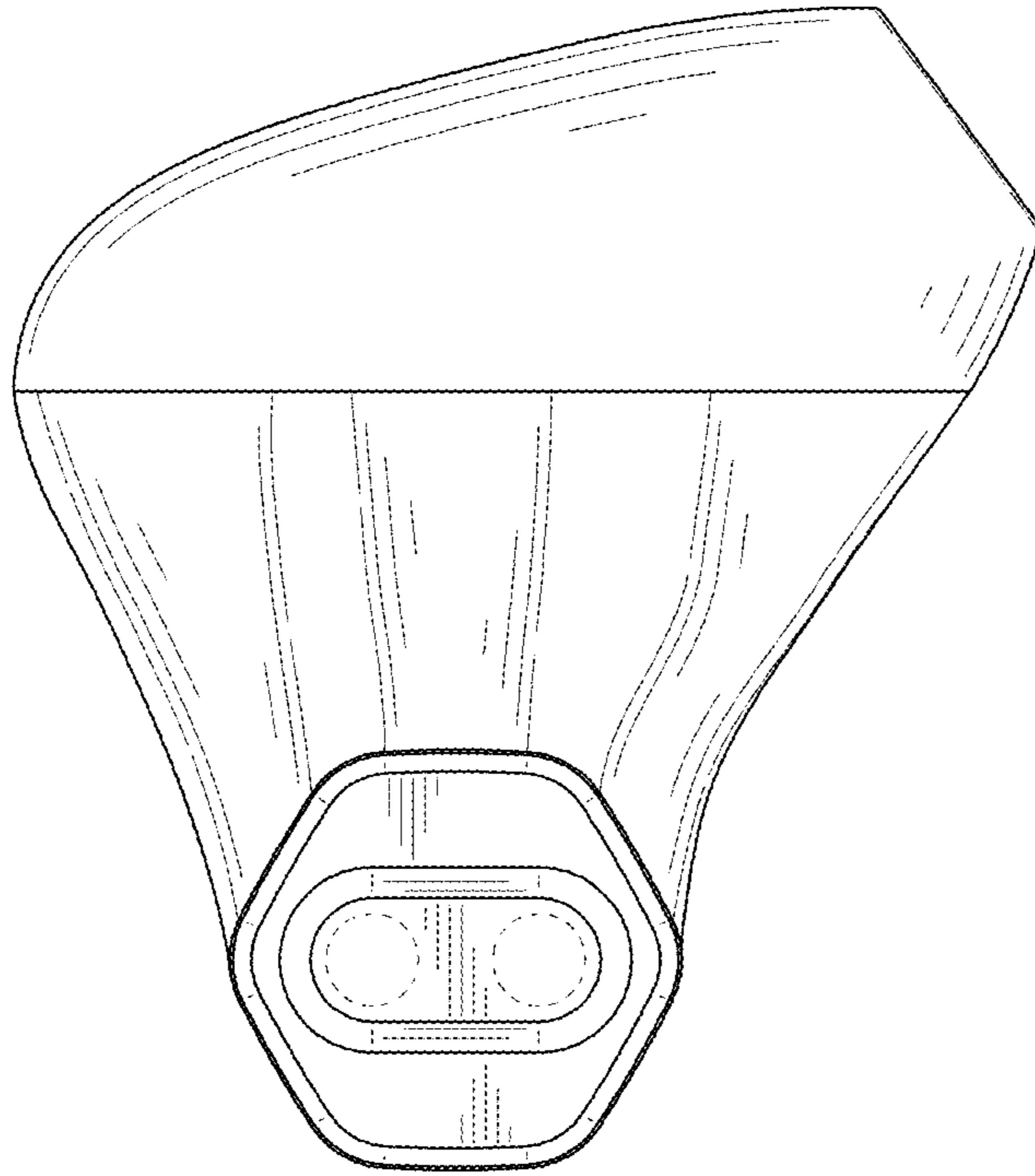


FIG. 8