



US00D901456S

(12) **United States Design Patent**
Huang et al.

(10) **Patent No.:** **US D901,456 S**

(45) **Date of Patent:** **** Nov. 10, 2020**

(54) **PAIR OF WIRELESS SMART EARBUDS**

(71) Applicants: **Wen-Feng Huang**, Guangdong (CN);
Da-Fu Fu, Hainan (CN)

(72) Inventors: **Wen-Feng Huang**, Guangdong (CN);
Da-Fu Fu, Hainan (CN)

(73) Assignee: **SHENZHEN XINHAOYUAN
PRECISION TECHNOLOGY CO.,
LTD.**, Shenzhen (CN)

(**) Term: **15 Years**

(21) Appl. No.: **29/696,008**

(22) Filed: **Jun. 25, 2019**

(30) **Foreign Application Priority Data**

Jan. 9, 2019 (CN) 2019 3 0011306

(51) **LOC (12) Cl.** **14-01**

(52) **U.S. Cl.**
USPC **D14/223**

(58) **Field of Classification Search**
USPC D14/223, 205, 206; D24/174; 128/864,
128/865, 866; 181/129, 130, 135;
379/430, 431; 381/380, 381, 322-324,
381/330; 455/90.3, 575, 1, 569.1
CPC H04R 1/10; H04R 25/00; H04R 1/1016;
H04R 1/1066; H04R 5/033; H04R
5/0335; H04R 1/1091; H04R 1/1058;
H04R 1/105; H04R 1/1083
See application file for complete search history.

(56) **References Cited**

U.S. PATENT DOCUMENTS

D596,164 S * 7/2009 Henning D14/223
D602,005 S * 10/2009 Lee D14/223
D602,476 S * 10/2009 Lee D14/223
D618,221 S * 6/2010 Fahrendorff D14/223

D626,946 S * 11/2010 Lee D14/223
D626,947 S * 11/2010 Lee D14/223
D630,620 S * 1/2011 Lee D14/223
D640,242 S * 6/2011 Fahrendorff D14/223
D645,849 S * 9/2011 Kim D14/223
D650,773 S * 12/2011 Kim D14/223
D663,722 S * 7/2012 Chang D14/223
D664,125 S * 7/2012 Koch D14/223
D707,659 S * 6/2014 Henning D14/223

* cited by examiner

Primary Examiner — Katie Jane Stofko

(57) **CLAIM**

The ornamental design for a pair of wireless smart earbuds,
as shown and described.

DESCRIPTION

FIG. 1 is a front elevation view of the right wireless smart earbud of a pair of wireless smart earbuds showing our new design, the left wireless smart earbud being a mirror image thereof;

FIG. 2 is a rear elevation view of the right wireless smart earbud of the pair of wireless smart earbuds, the left wireless smart earbud being a mirror image thereof;

FIG. 3 is a right side elevation view of the right wireless smart earbud of the pair of wireless smart earbuds, the left wireless smart earbud being a mirror image thereof;

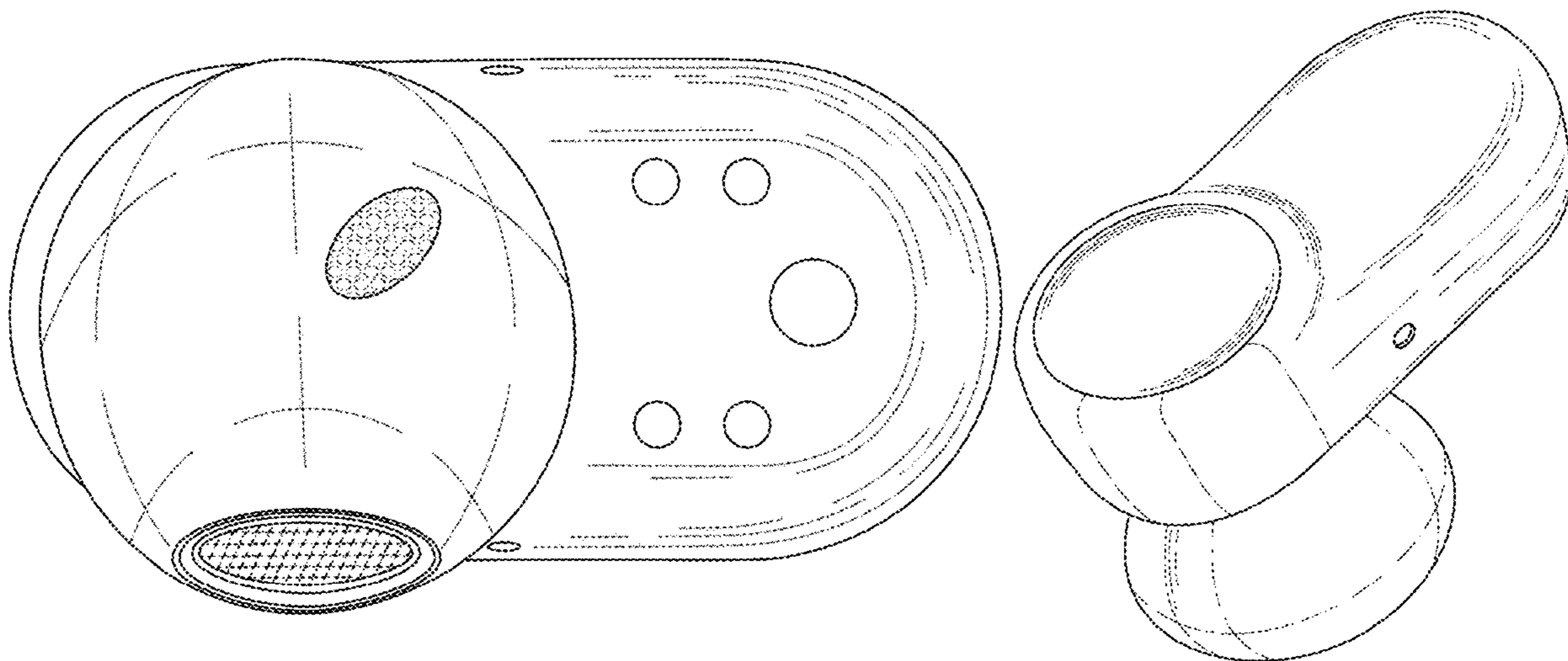
FIG. 4 is a left side elevation view of the right wireless smart earbud of the pair of wireless smart earbuds, the left wireless smart earbud being a mirror image thereof;

FIG. 5 is a top plan view of the right wireless smart earbud of the pair of wireless smart earbuds, the left wireless smart earbud being a mirror image thereof;

FIG. 6 is a bottom plan view of the right wireless smart earbud of the pair of wireless smart earbuds, the left wireless smart earbud being a mirror image thereof; and,

FIG. 7 is a perspective view of the right wireless smart earbud of the pair of wireless smart earbuds, the left wireless smart earbud being the opposite view thereof.

1 Claim, 7 Drawing Sheets



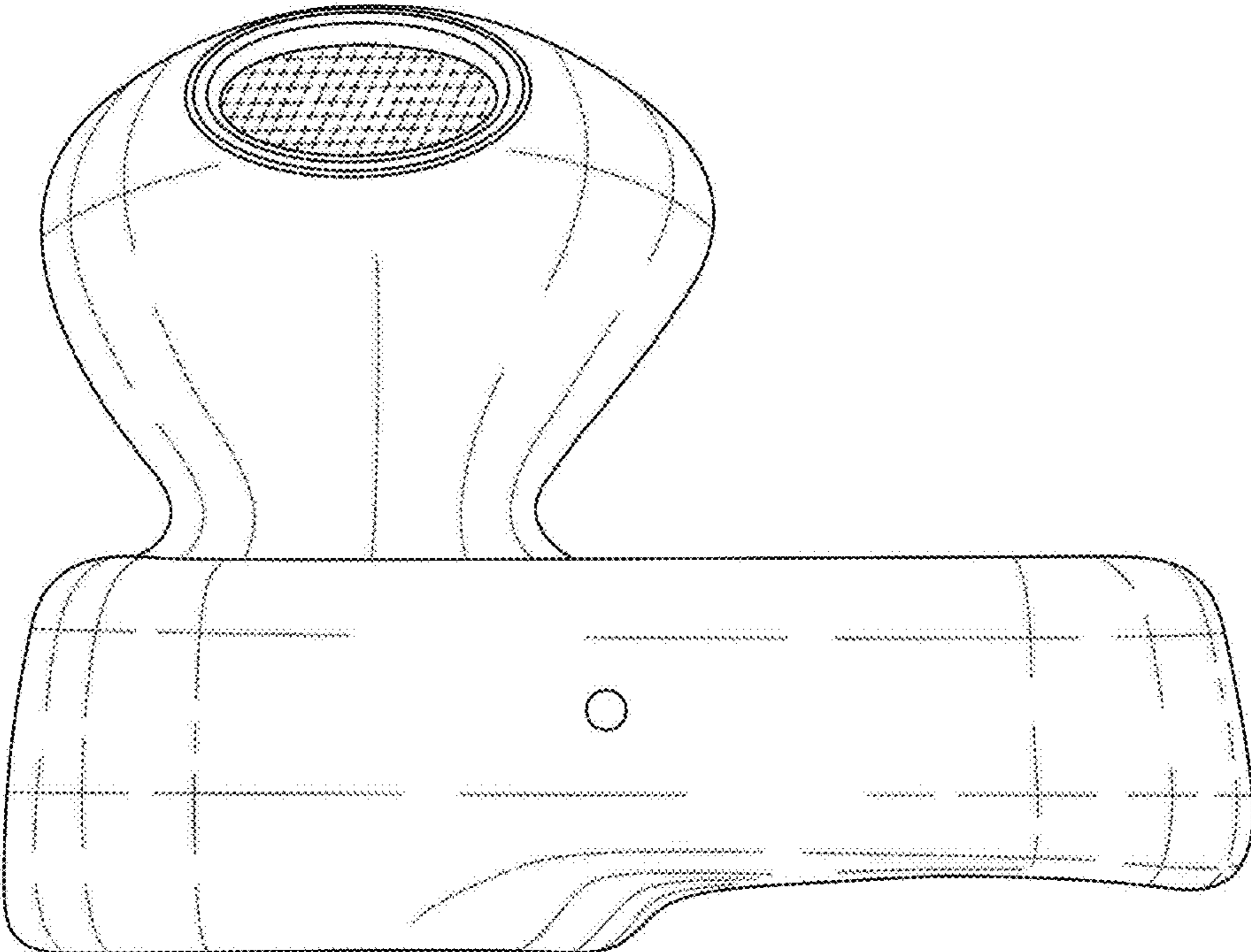


FIG 1

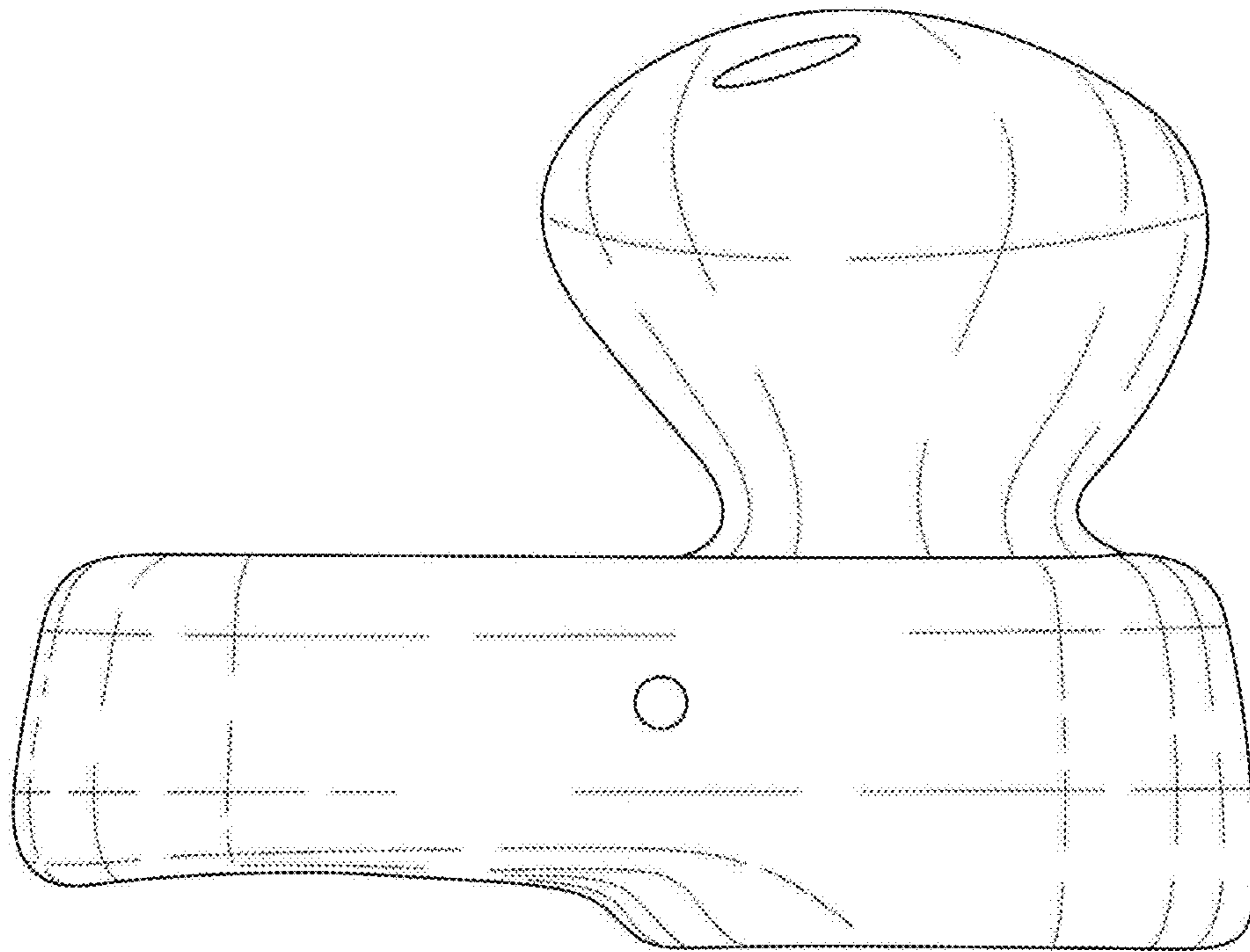


FIG 2

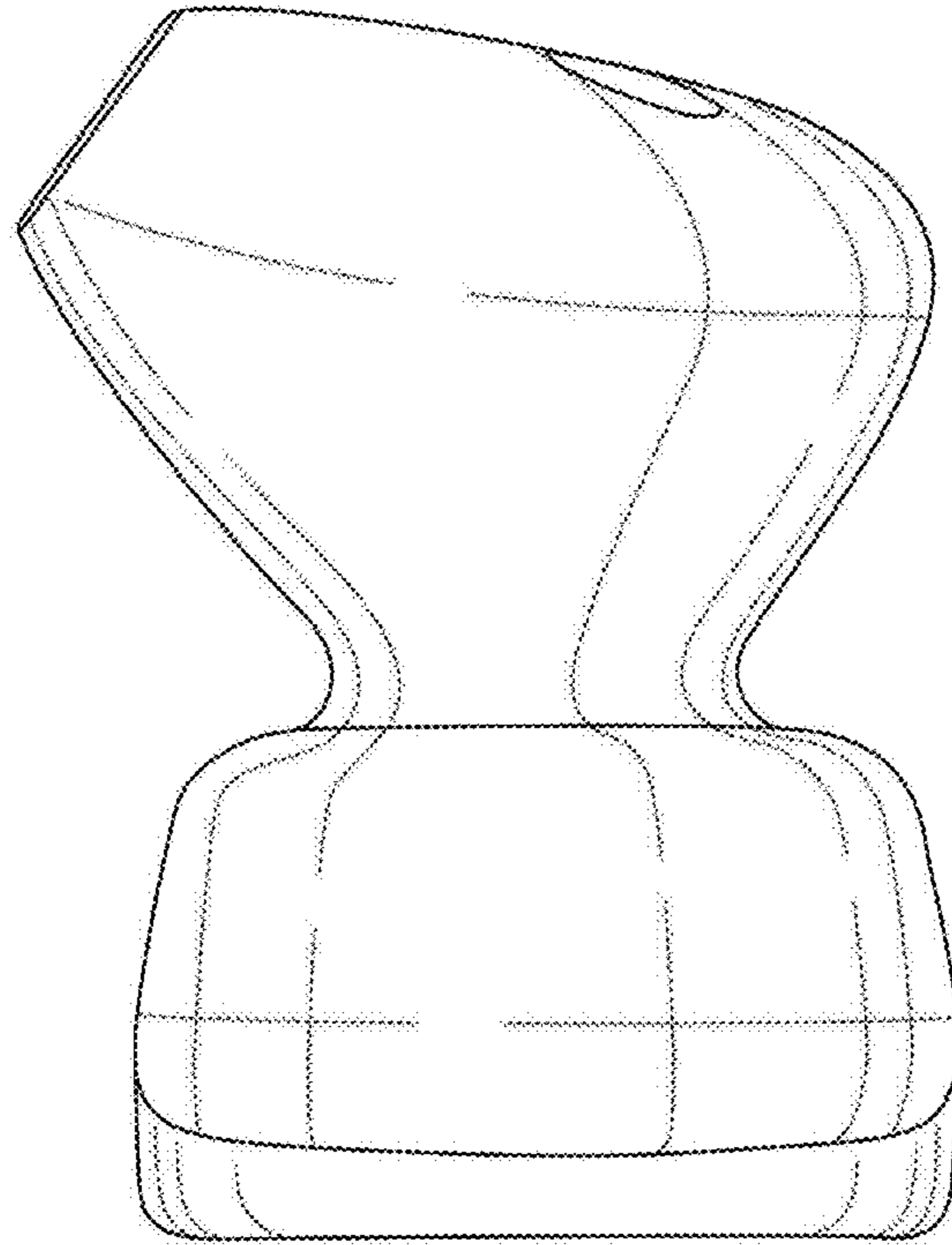


FIG 3

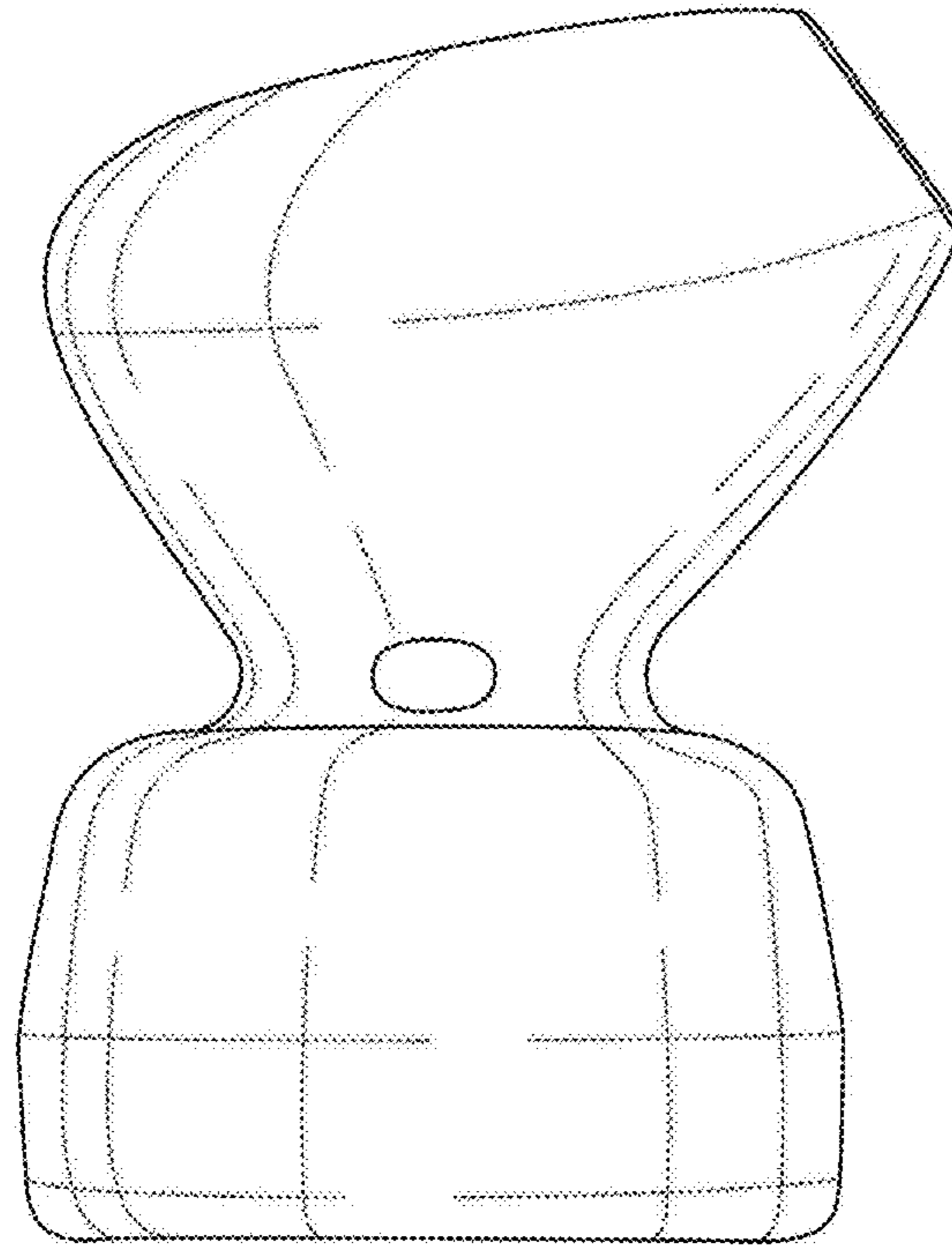


FIG 4

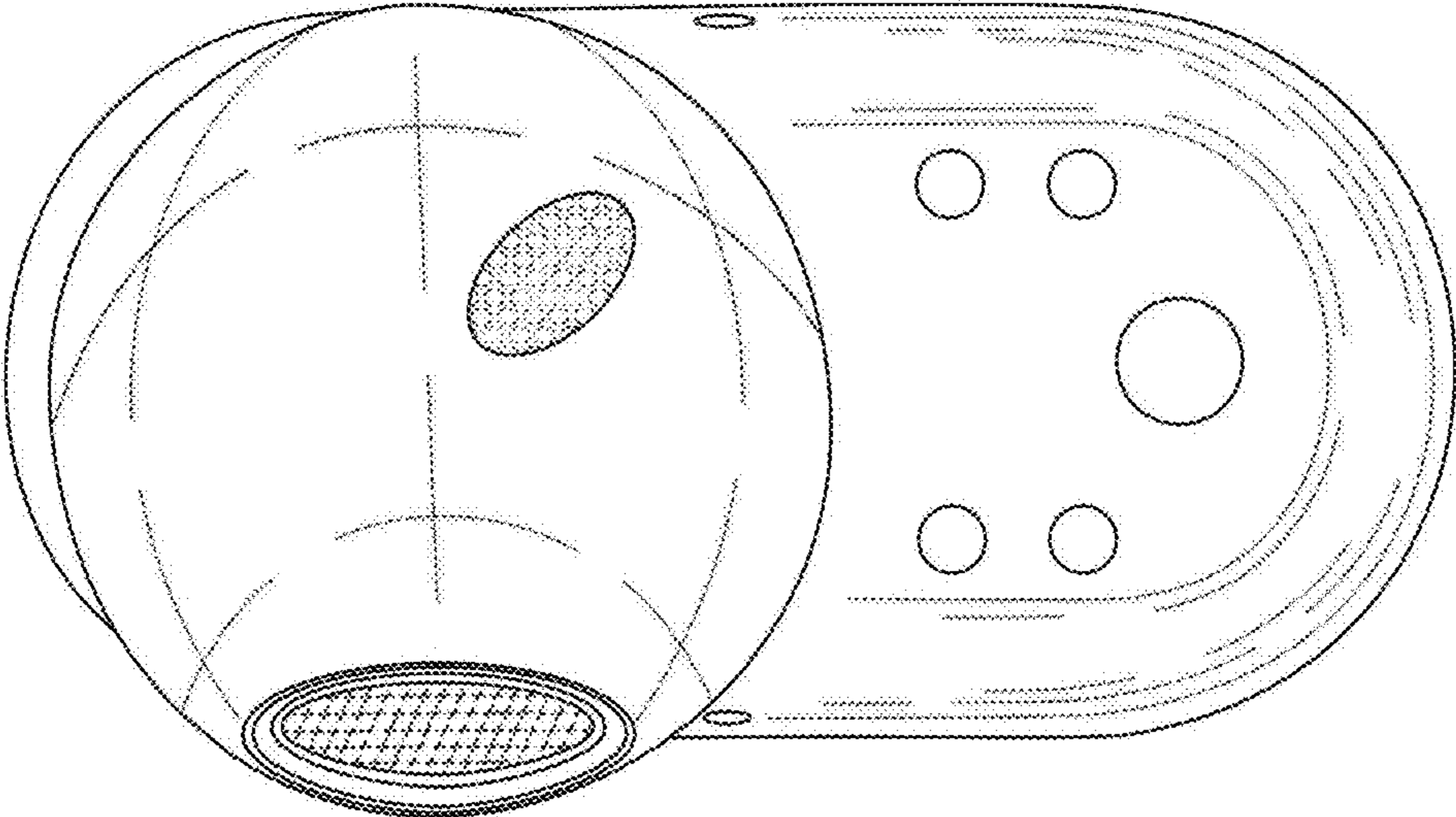


FIG 5

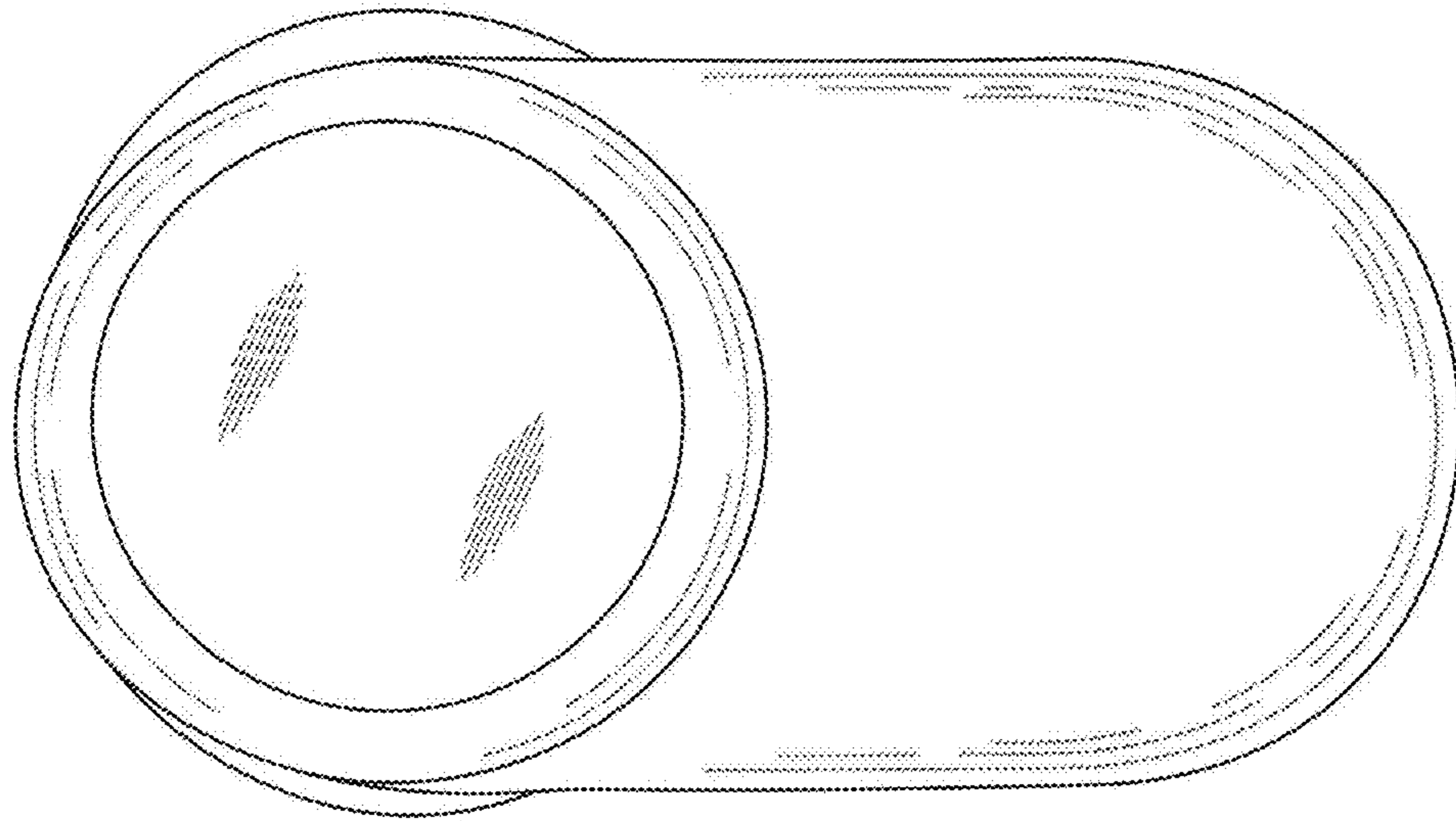


FIG 6

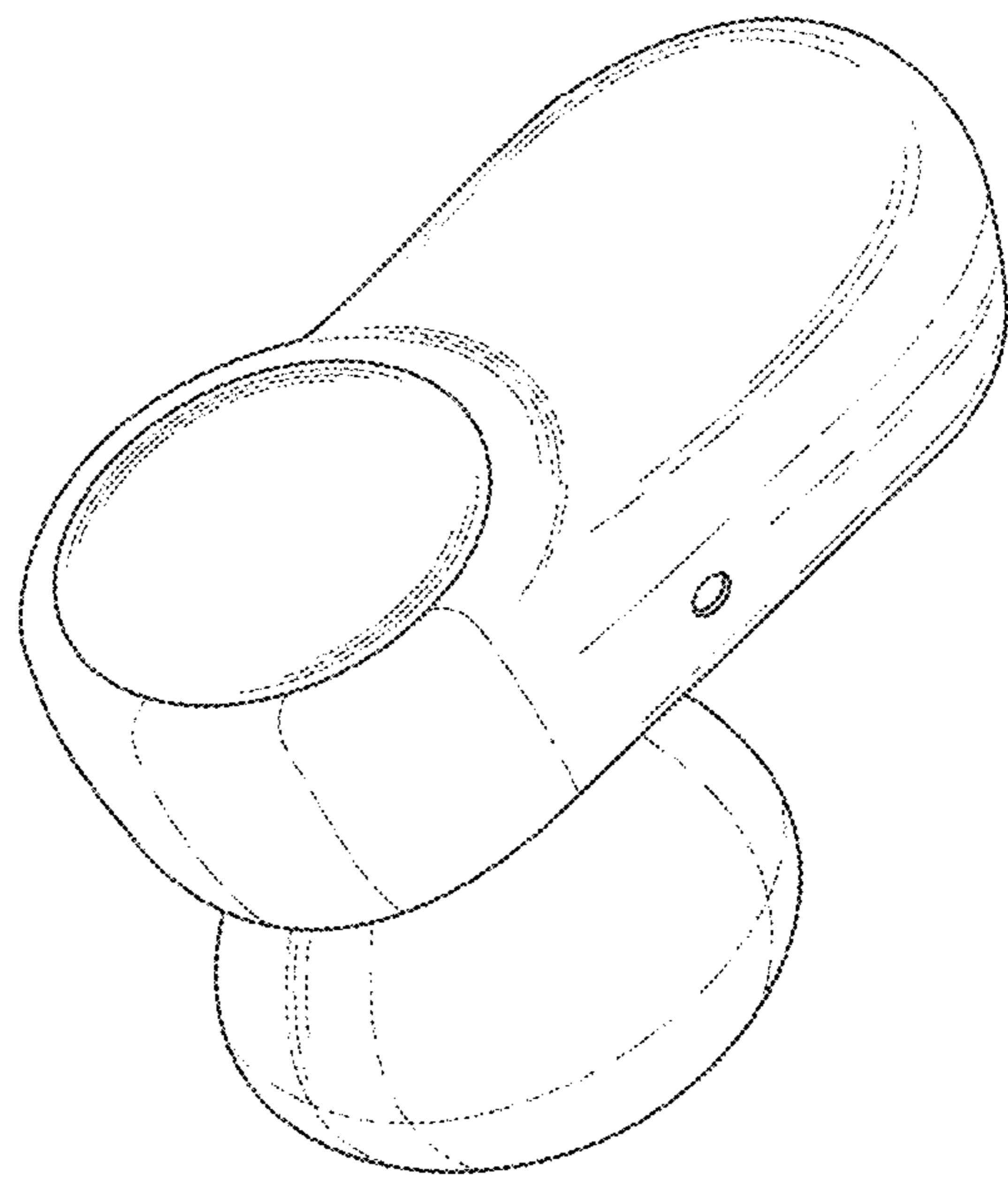


FIG 7