



US00D901454S

(12) **United States Design Patent** (10) **Patent No.:** **US D901,454 S**  
**Jacobs et al.** (45) **Date of Patent:** **\*\* Nov. 10, 2020**

(54) **EARPHONE**

(71) Applicant: **Shure Acquisition Holdings, Inc.**,  
Niles, IL (US)  
(72) Inventors: **Paul Mark Jacobs**, Evanston, IL (US);  
**John Matthew Miller**, Grayslake, IL  
(US); **Dustin Jonathan Smith**,  
Chicago, IL (US)  
(73) Assignee: **Shure Acquisition Holdings, Inc.**,  
Niles, IL (US)

(\*\*) Term: **15 Years**

(21) Appl. No.: **29/687,056**

(22) Filed: **Apr. 10, 2019**

(51) **LOC (12) Cl.** ..... **14-01**

(52) **U.S. Cl.**  
USPC ..... **D14/223**

(58) **Field of Classification Search**  
USPC ..... D14/223, 205; D24/174; 128/864, 865,  
128/866; 381/322, 312, 324, 328, 329,  
381/330; 455/90.3, 575.1, 569.1  
CPC ..... H04R 1/10; H04R 25/00; H04R 1/1066;  
H04R 1/1016; H04R 1/105; H04R  
1/1091; H04R 25/02; A61F 11/08  
See application file for complete search history.

(56) **References Cited**

**U.S. PATENT DOCUMENTS**

2,262,568 A \* 11/1941 Wade ..... A61F 11/08  
128/864  
2,349,430 A \* 5/1944 Hiatt et al. .... A61K 9/4816  
424/451  
2,538,339 A \* 1/1951 Thomas ..... A61F 11/08  
128/864

(Continued)

**FOREIGN PATENT DOCUMENTS**

KR 301061965.0000 \* 6/2020

**OTHER PUBLICATIONS**

Catalog for "2009 Product Catalog", Shure Incorporated, p. 41,  
publication date unknown but prior to the filing date of the present  
application (1page).

(Continued)

*Primary Examiner* — Paula Allen Greene  
(74) *Attorney, Agent, or Firm* — Banner & Witcoff, Ltd.

(57) **CLAIM**

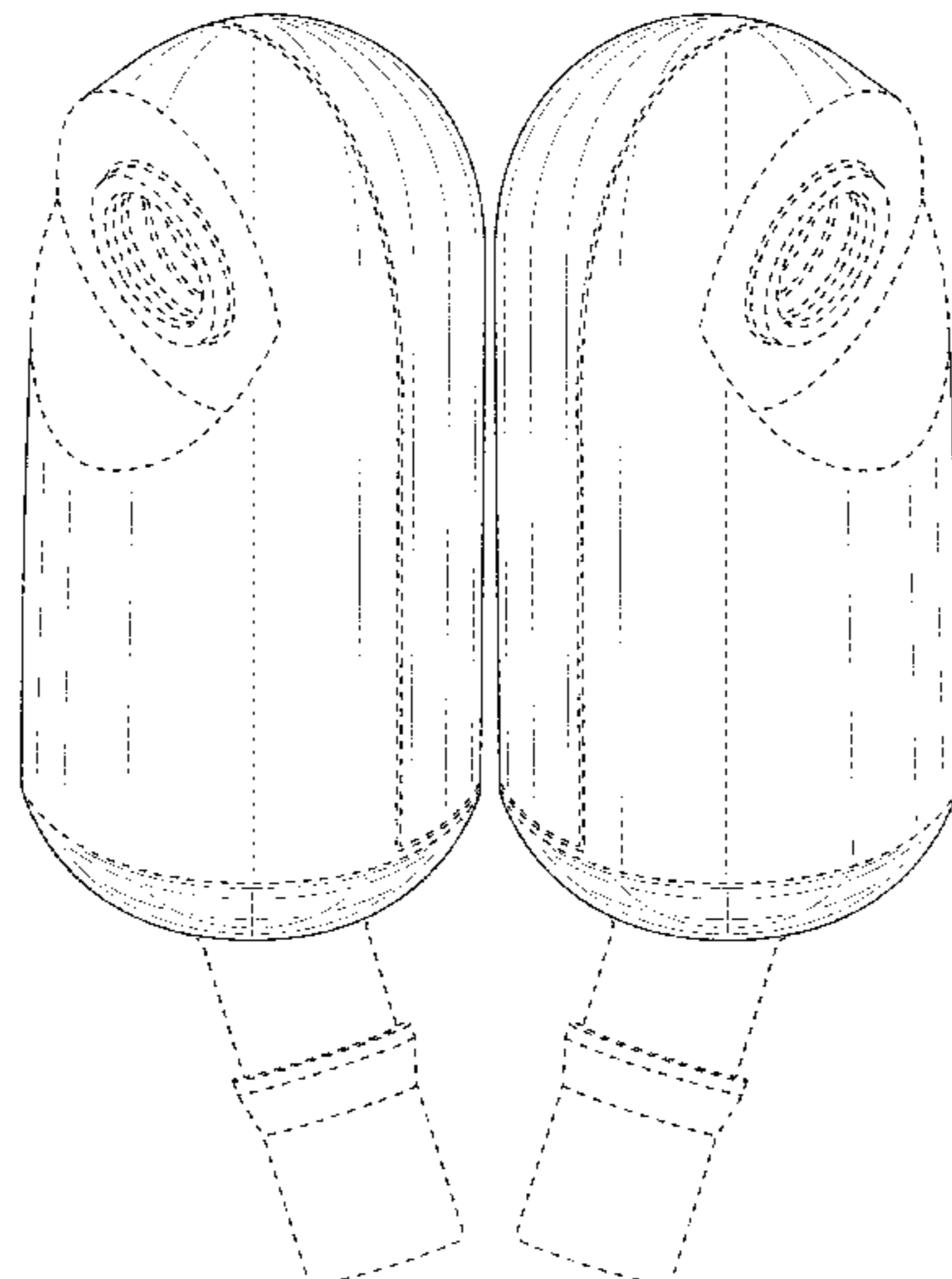
The ornamental design for an earphone, as shown and  
described.

**DESCRIPTION**

FIG. 1 is a top, front, right perspective view of a right-side  
earphone showing my new design;  
FIG. 2 is a front view thereof;  
FIG. 3 is a rear view thereof;  
FIG. 4 is a left side view thereof;  
FIG. 5 is a right side view thereof;  
FIG. 6 is a top view thereof;  
FIG. 7 is a bottom view thereof;  
FIG. 8 is a top, front, left perspective view of a left-side  
earphone showing an alternate embodiment of my new  
design;  
FIG. 9 is a front view thereof;  
FIG. 10 is a rear view thereof;  
FIG. 11 is a left side view thereof;  
FIG. 12 is a right side view thereof;  
FIG. 13 is a top view thereof; and,  
FIG. 14 is a bottom view thereof.

The broken lines immediately adjacent to the shaded areas  
define the bounds of the claimed design and form no part  
thereof. The broken lines depicting the remainder of the  
earphone show features that form no part of the claimed  
design; all broken lines are for illustrative purposes only and  
form no part of the claimed design.

**1 Claim, 14 Drawing Sheets**



(56)

References Cited

U.S. PATENT DOCUMENTS

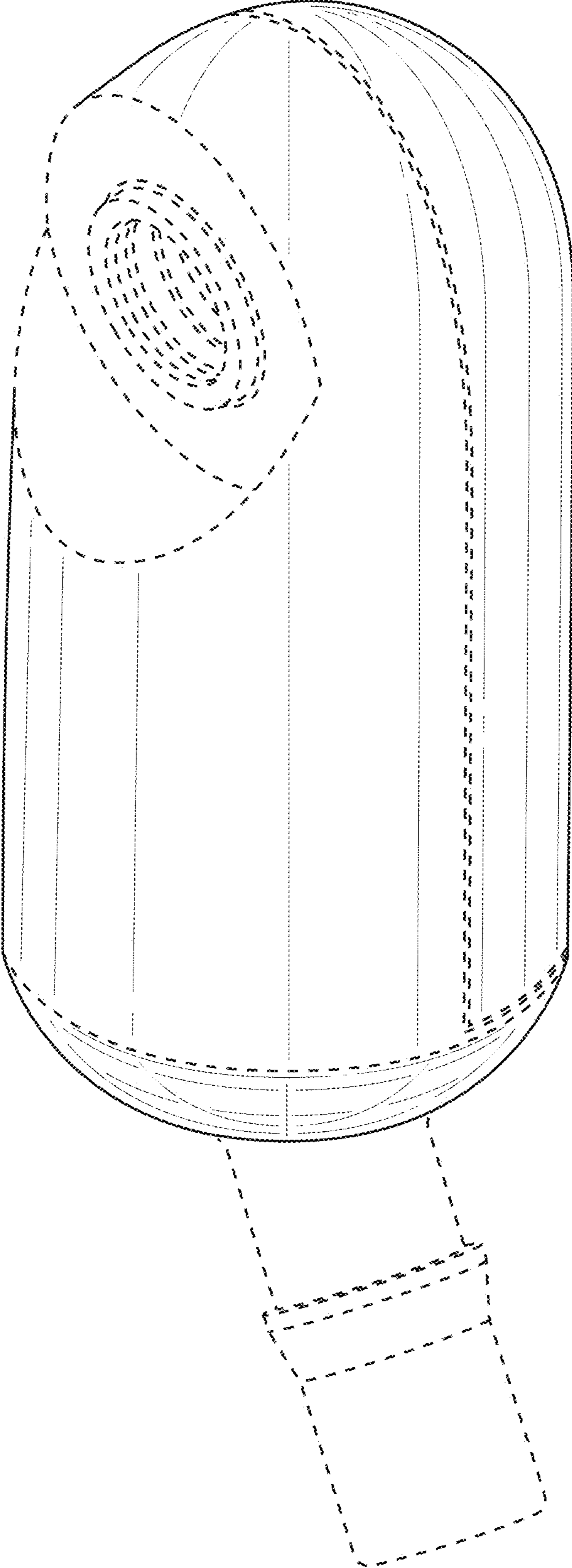
2,741,067 A \* 4/1956 Cox ..... A01K 95/00  
43/44.9  
2,812,826 A \* 11/1957 Hawley ..... H04R 1/38  
181/242  
2,824,558 A \* 2/1958 Michael ..... A61F 11/10  
128/865  
3,527,901 A \* 9/1970 Geib ..... H04R 25/60  
381/328  
4,150,262 A \* 4/1979 Ono ..... H04M 1/62  
381/190  
4,393,974 A \* 7/1983 Levesque ..... A45C 11/00  
206/37  
4,584,718 A \* 4/1986 Fuller ..... G11B 33/025  
181/149  
4,817,609 A \* 4/1989 Perkins ..... H04R 25/652  
607/56  
4,893,721 A \* 1/1990 Bodenmann ..... A61J 3/072  
220/8  
5,046,580 A \* 9/1991 Barton ..... H04R 25/656  
128/866  
5,074,426 A \* 12/1991 Goodhart ..... A61J 3/071  
206/528  
5,203,352 A \* 4/1993 Gardner, Jr. .... A61F 11/10  
128/864  
5,825,896 A \* 10/1998 Leedom ..... H04R 25/60  
381/322  
D427,994 S \* 7/2000 Pirelli ..... D14/223  
6,097,825 A \* 8/2000 Yoest ..... H04R 25/456  
381/322  
D451,493 S \* 12/2001 Ng ..... D14/189  
D457,513 S \* 5/2002 Pirelli ..... D14/223  
D464,039 S \* 10/2002 Boesen ..... D14/223  
D469,770 S \* 2/2003 Carpenter ..... D13/147  
D470,833 S \* 2/2003 Rath ..... D14/205  
D475,996 S \* 6/2003 Skulley ..... D14/223  
D488,460 S 4/2004 Alwicker et al.  
6,738,487 B1 \* 5/2004 Nageno ..... H04R 1/1016  
381/322  
D494,571 S \* 8/2004 Polito ..... D14/223  
D494,956 S 8/2004 Sabick et al.  
D499,397 S \* 12/2004 Hlas ..... D14/223  
D512,990 S \* 12/2005 Yang ..... D14/205  
D519,103 S 4/2006 Sabick et al.  
D529,612 S \* 10/2006 Feeley ..... D24/174  
D532,372 S \* 11/2006 Keating ..... D13/108  
D532,770 S 11/2006 Engstrom et al.  
D541,420 S \* 4/2007 Darbut ..... D24/174  
7,264,081 B2 \* 9/2007 Bruck ..... A61F 11/08  
181/135  
D557,253 S 12/2007 Engstrom et al.  
D557,254 S 12/2007 Engstrom et al.  
D562,459 S \* 2/2008 Jurkiewicz ..... D24/174  
D563,945 S 3/2008 Johns et al.  
D565,022 S 3/2008 Belliveau et al.  
D569,841 S \* 5/2008 Chung ..... D14/205  
D576,154 S \* 9/2008 Ledbetter ..... D14/223  
D584,398 S 1/2009 Benner  
D586,333 S \* 2/2009 Tkachuk ..... D14/223  
D594,441 S \* 6/2009 Lee ..... D14/205  
7,616,772 B2 11/2009 Sabick et al.  
D605,182 S \* 12/2009 Fagnot ..... D14/223  
D614,168 S \* 4/2010 Rogers ..... D14/206  
D616,874 S \* 6/2010 Matsuoka ..... D14/223  
D620,596 S \* 7/2010 Jurkiewicz ..... D24/174  
D627,766 S \* 11/2010 Arimoto ..... D14/223  
D633,086 S \* 2/2011 Chen ..... D14/223  
D634,848 S \* 3/2011 Brimhall ..... D24/174

D637,183 S \* 5/2011 March ..... D14/223  
D637,184 S \* 5/2011 March ..... D14/223  
D639,280 S \* 6/2011 Hayes ..... D14/223  
D641,738 S \* 7/2011 Perez ..... D14/223  
D641,739 S \* 7/2011 Huang ..... D14/223  
D652,817 S \* 1/2012 Lee ..... D14/205  
D654,171 S \* 2/2012 Naumann ..... D24/174  
D662,493 S \* 6/2012 Chen ..... D14/223  
D671,531 S \* 11/2012 Kim ..... D14/223  
D676,427 S 2/2013 Yang  
D676,970 S \* 2/2013 Mehlsen ..... D24/174  
D678,252 S 3/2013 Cantoni et al.  
D680,102 S \* 4/2013 Chen ..... D14/223  
D684,253 S \* 6/2013 Ryan ..... A61F 11/08  
D24/106  
8,477,978 B2 \* 7/2013 Caldarola ..... H04R 25/02  
381/328  
D691,480 S \* 10/2013 Shukla ..... D9/503  
8,731,227 B2 \* 5/2014 Hwang ..... H04R 1/1091  
381/379  
D724,227 S \* 3/2015 Marcher ..... D24/174  
D731,781 S \* 6/2015 Behar ..... D3/201  
D751,053 S \* 3/2016 Shin ..... D14/205  
D762,616 S \* 8/2016 Hsieh ..... D14/205  
D772,204 S \* 11/2016 Tsou ..... D14/223  
D772,417 S \* 11/2016 Debord ..... D24/174  
D778,268 S \* 2/2017 Hsieh ..... D14/223  
D786,217 S 5/2017 Stoch  
D786,221 S 5/2017 Stoch  
D794,614 S \* 8/2017 Xu ..... D14/223  
D804,455 S 12/2017 Hsieh et al.  
D830,336 S \* 10/2018 Cai ..... D14/205  
D843,938 S \* 3/2019 Park ..... D13/108  
D853,350 S 7/2019 Linden et al.  
D864,918 S \* 10/2019 Liu ..... D14/223  
D870,694 S \* 12/2019 Morimoto ..... D14/205  
10,536,782 B2 \* 1/2020 Kah, Jr. .... H04R 25/02  
2013/0056295 A1 3/2013 Campbell et al.  
2013/0259286 A1 \* 10/2013 Chung ..... H04R 1/1016  
381/380

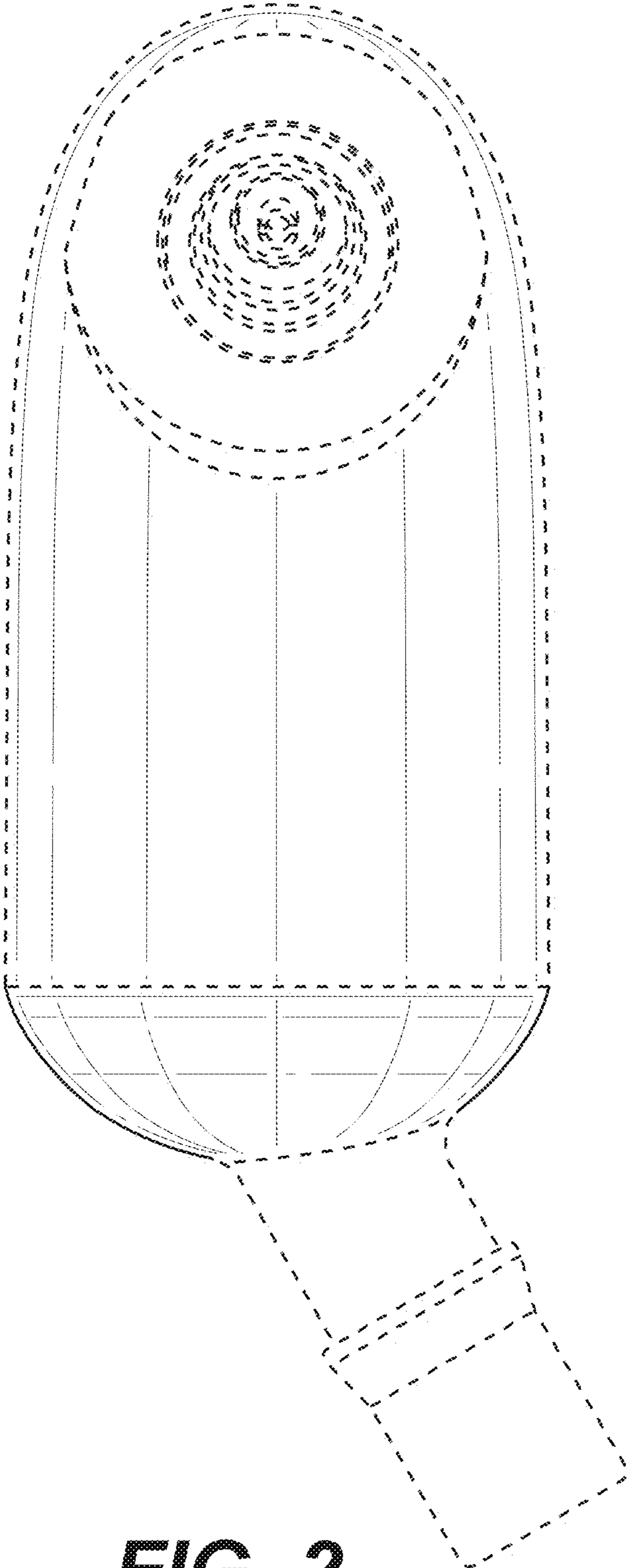
OTHER PUBLICATIONS

Catalog for “2009 Product Catalog”, Shure Incorporated, p. 66, publication date unknown but prior to the filing date of the present application (1page).  
Catalog for “2009 Product Catalog”, Shure Incorporated, p. 67, publication date unknown but prior to the filing date of the present application (1page).  
Catalog for “2010 Product Catalog”, Shure Incorporated, p. 55, publication date unknown but prior to the filing date of the present application (1page).  
Catalog for “2010 Product Catalog”, Shure Incorporated, p. 58, publication date unknown but prior to the filing date of the present application (1page).  
Catalog for “2011 Product Catalog”, Shure Incorporated, p. 51, publication date unknown but prior to the filing date of the present application (1page).  
Catalog for “2014 Product Catalog”, Shure Incorporated, p. 80, publication date unknown but prior to the filing date of the present application (1page).  
Catalog for “2014 Product Catalog”, Shure Incorporated, p. 81, publication date unknown but prior to the filing date of the present application (1page).  
Catalog for “2017 Product Catalog”, Shure Incorporated, p. 84, publication date unknown but prior to the filing date of the present application (1page).

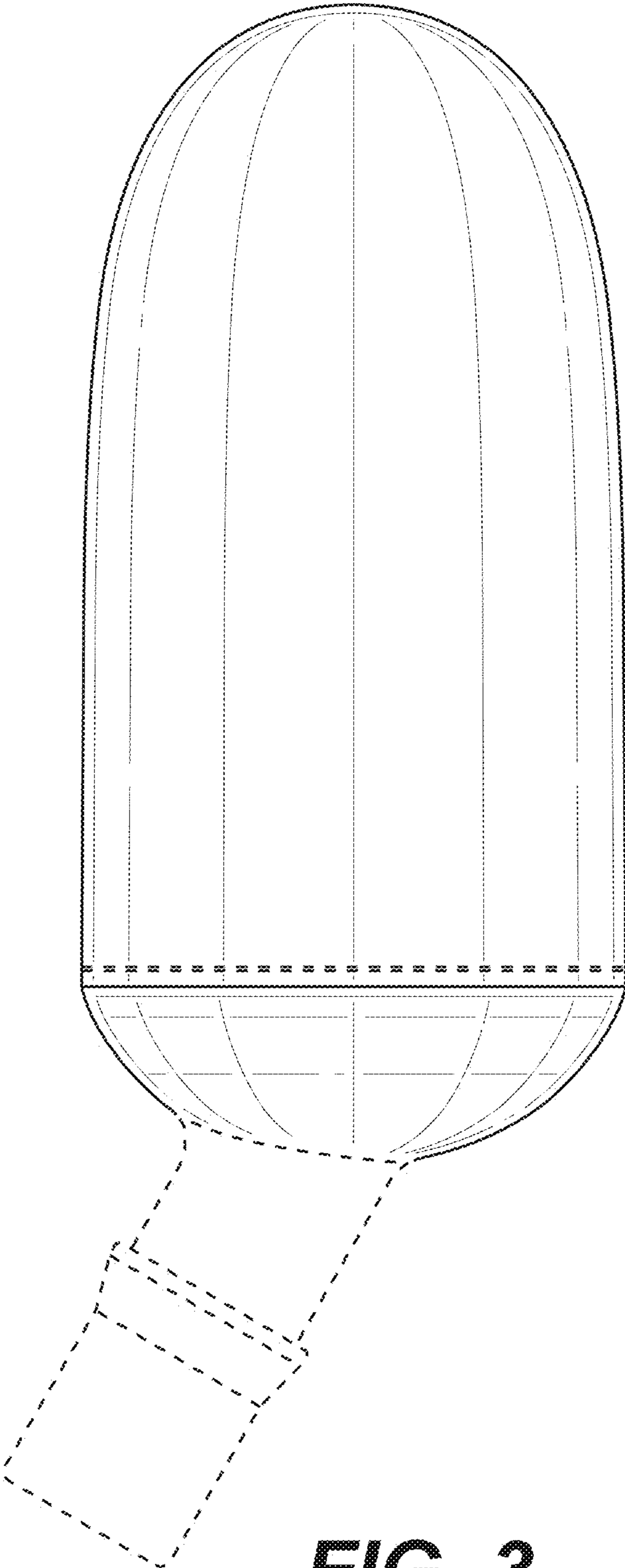
\* cited by examiner



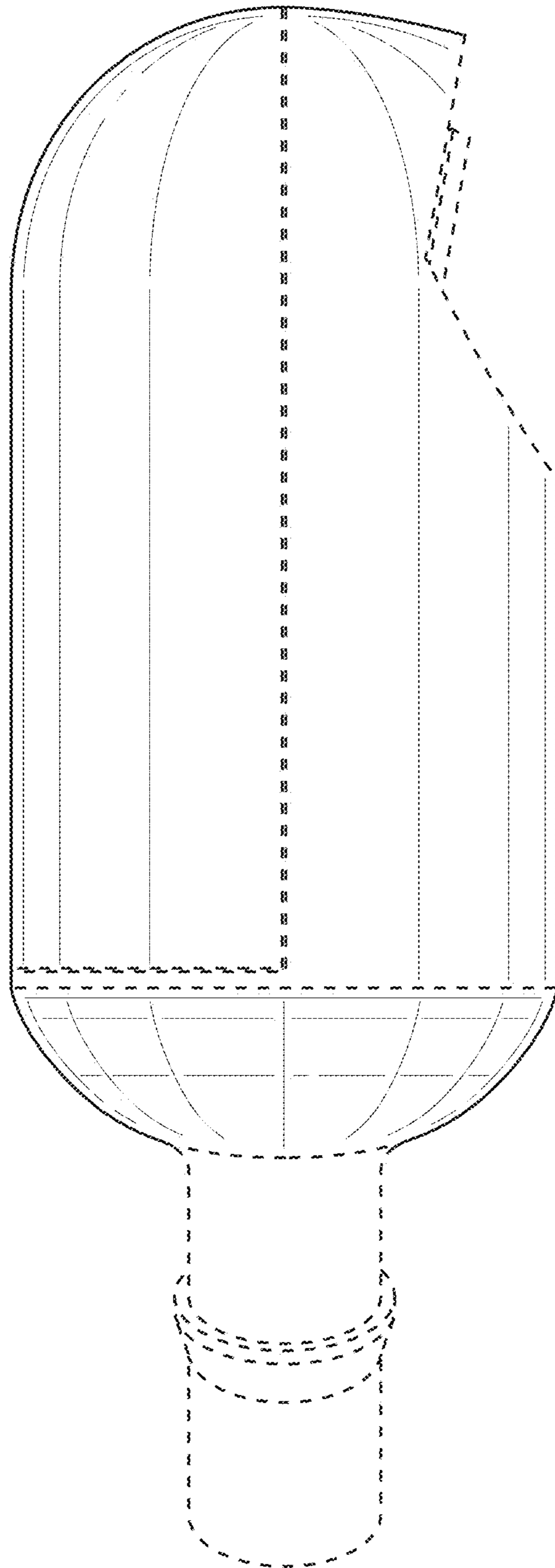
**FIG. 1**



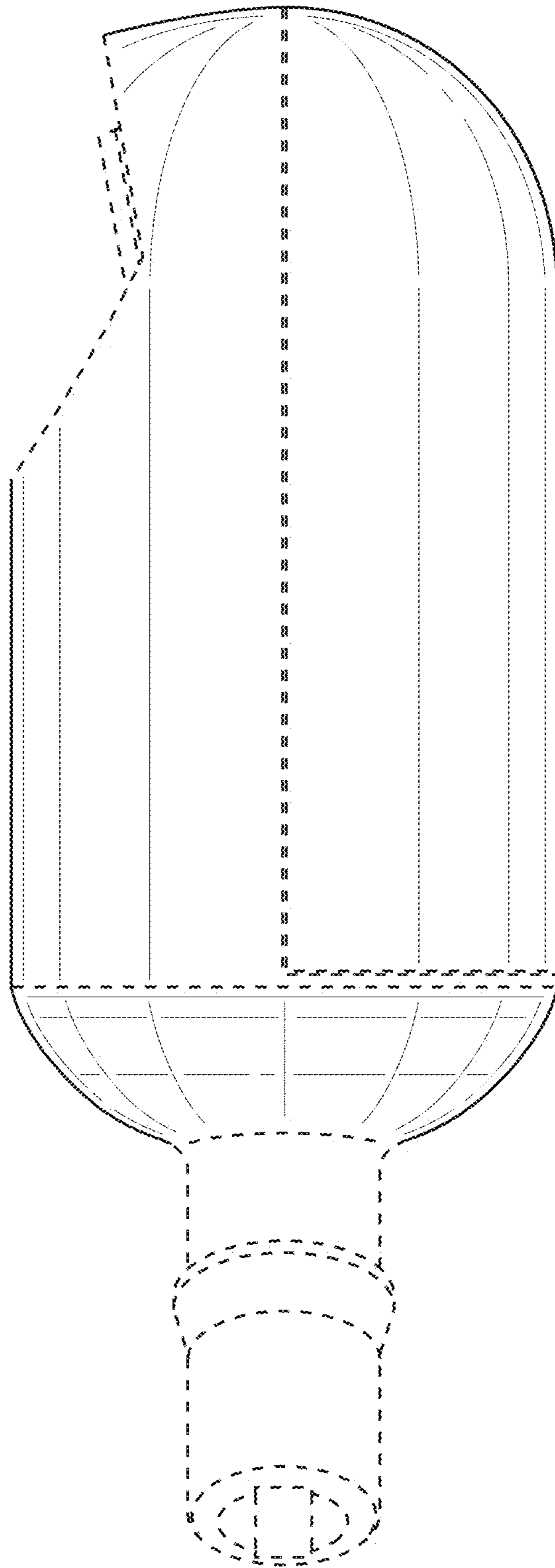
**FIG. 2**



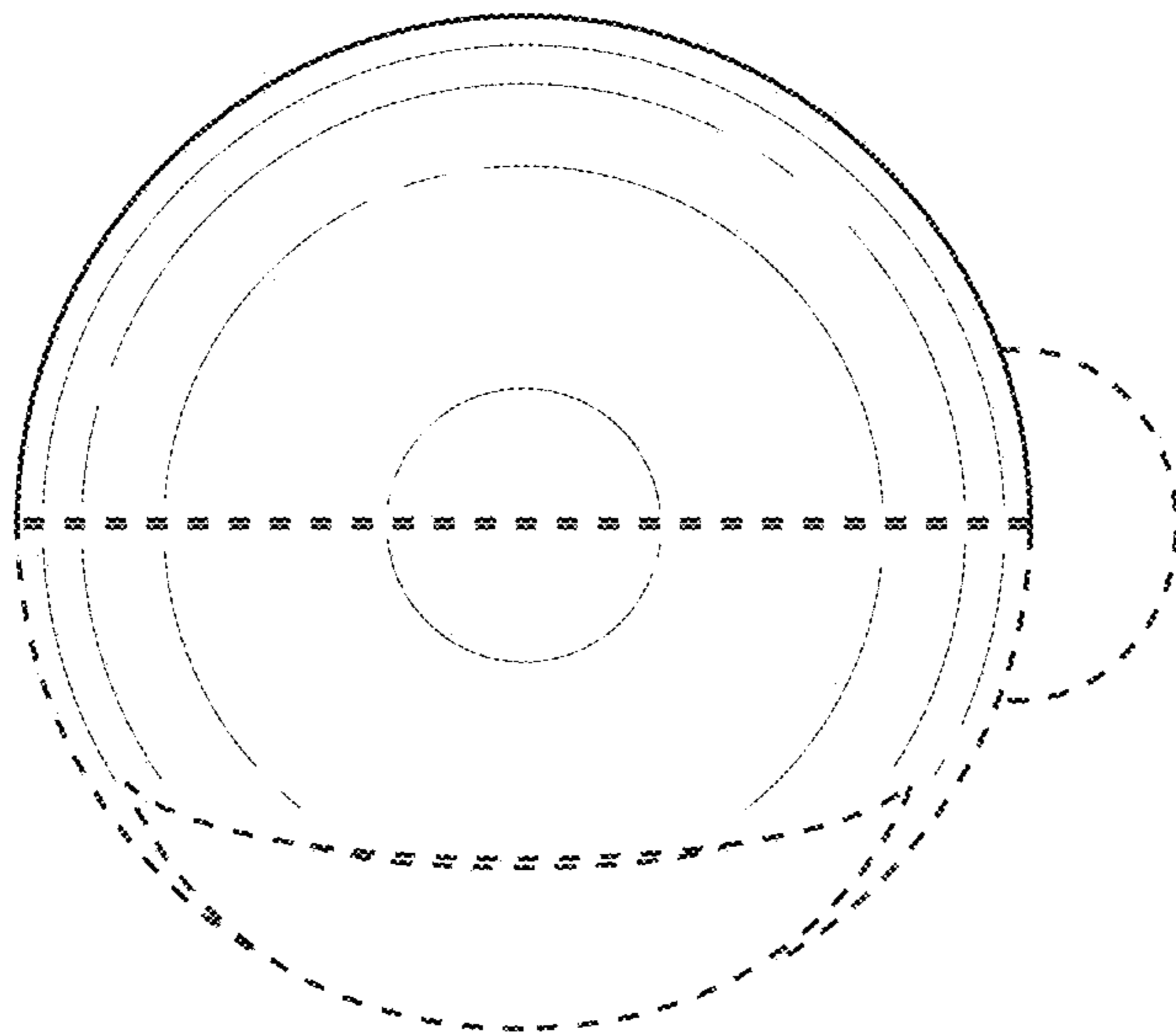
**FIG. 3**



**FIG. 4**

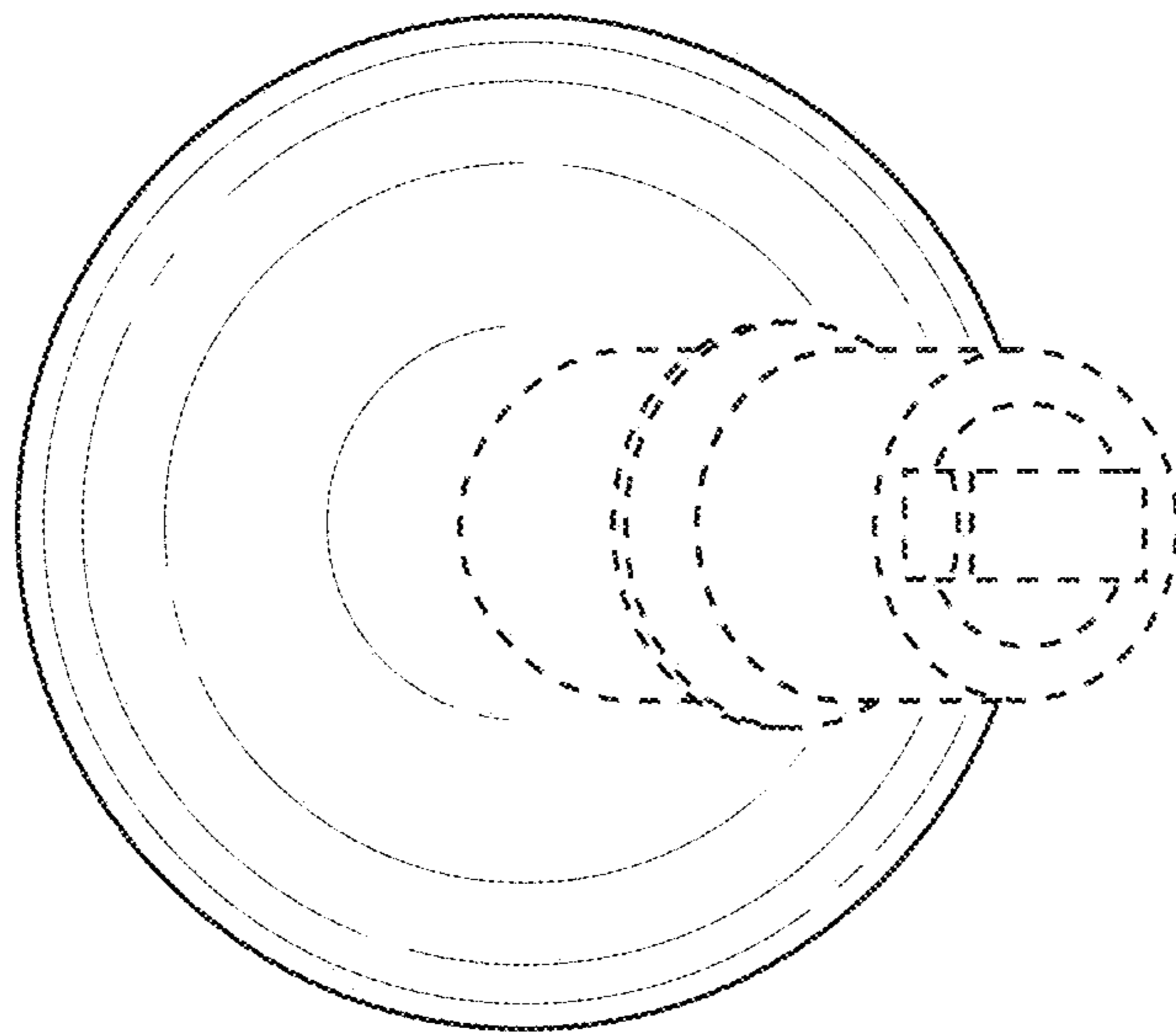


**FIG. 5**

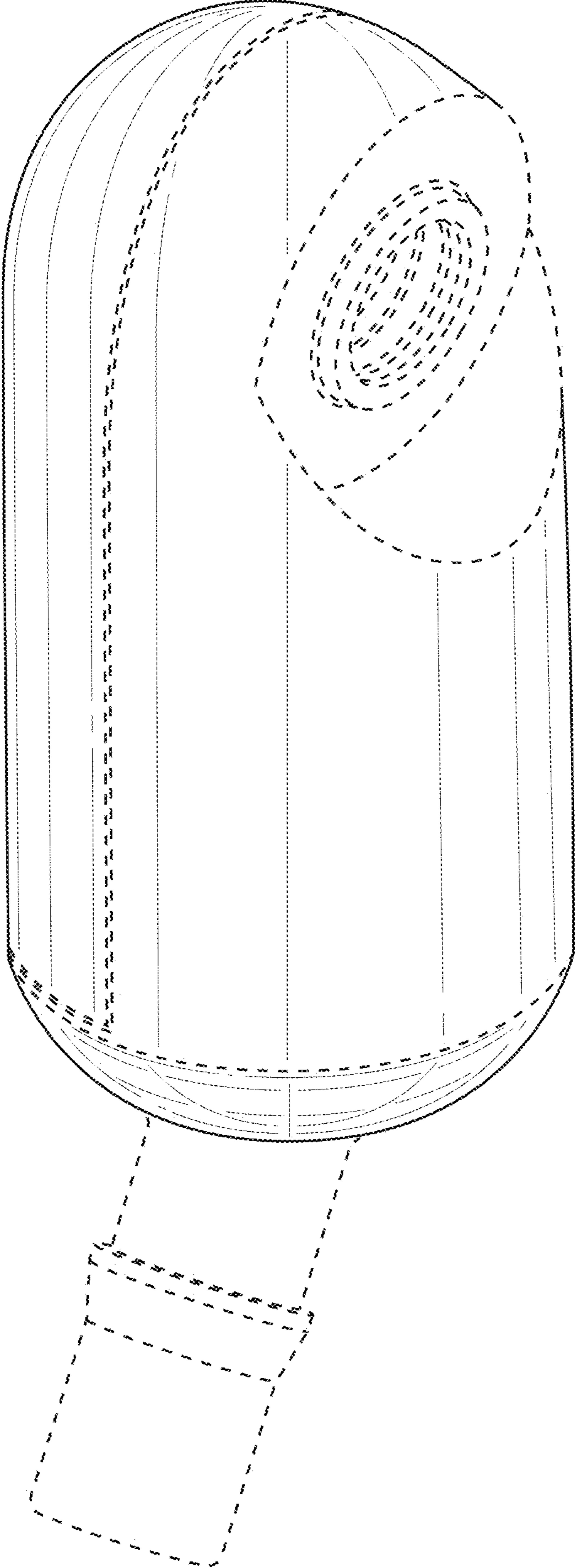


**FIG. 6**

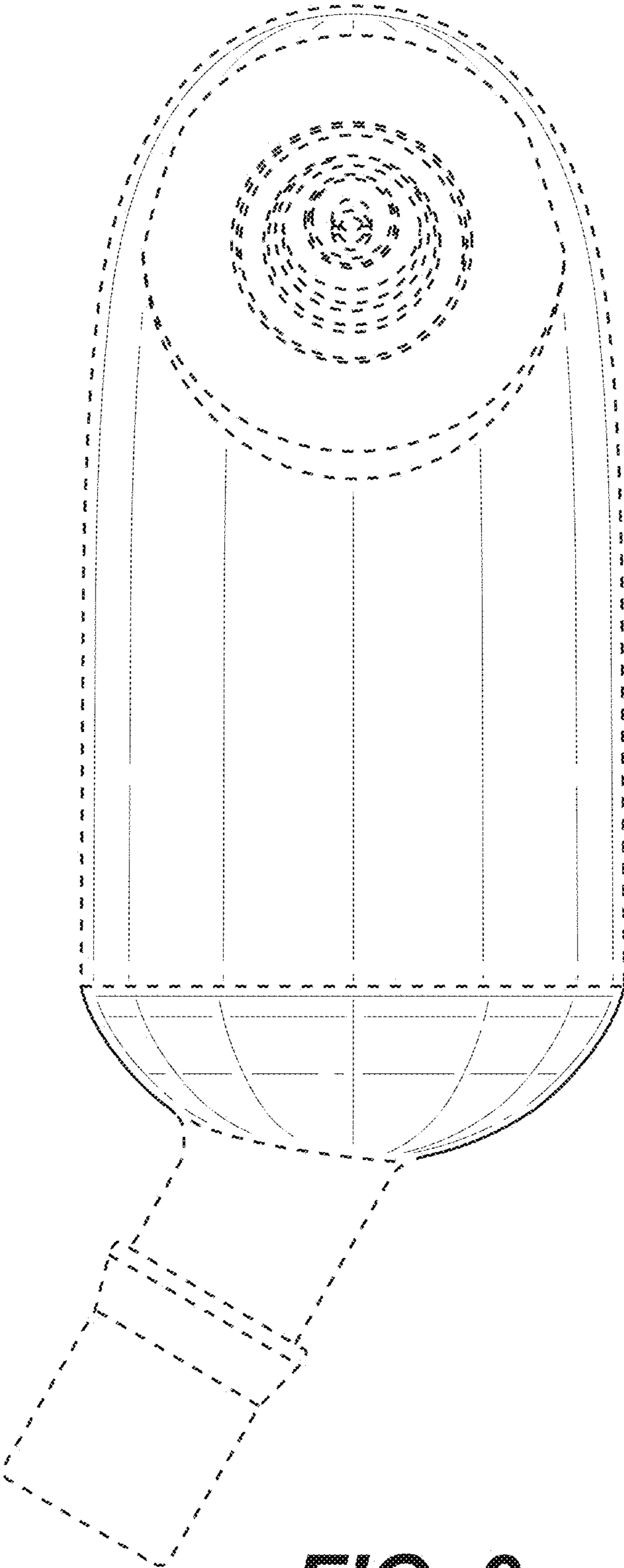




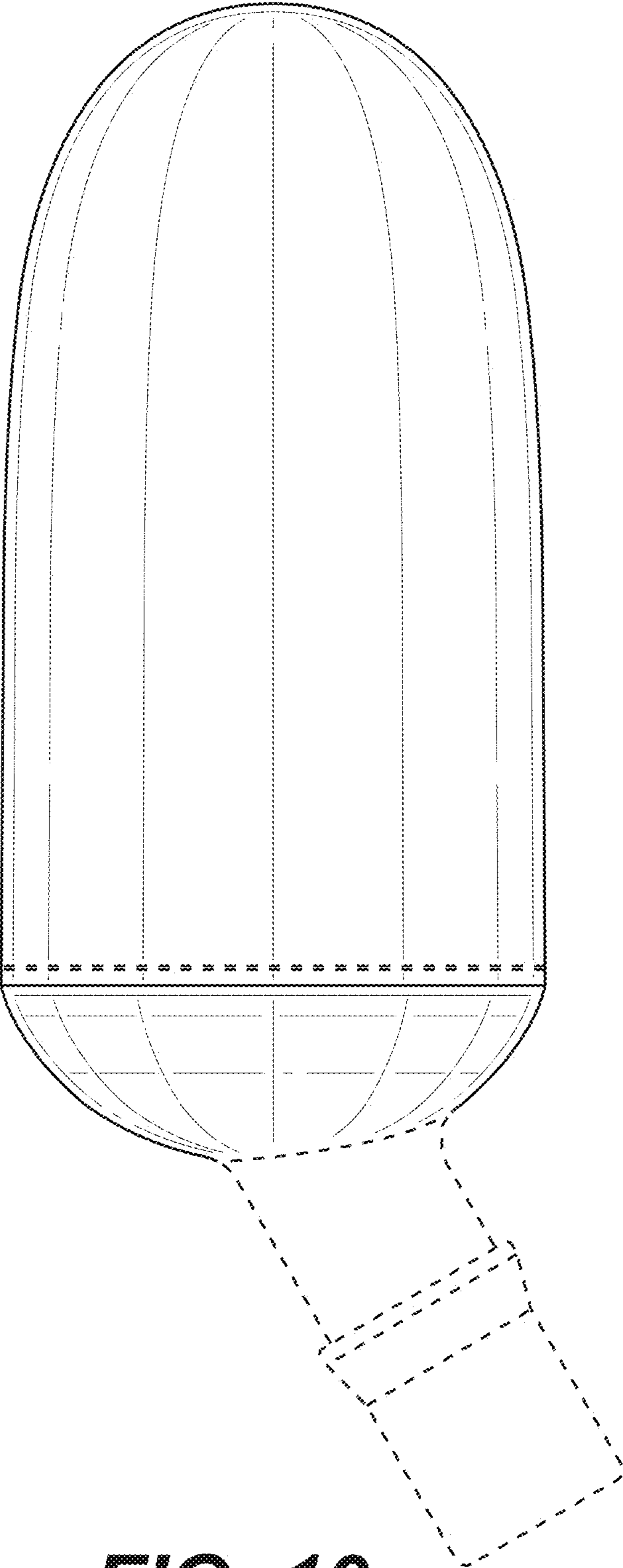
**FIG. 7**



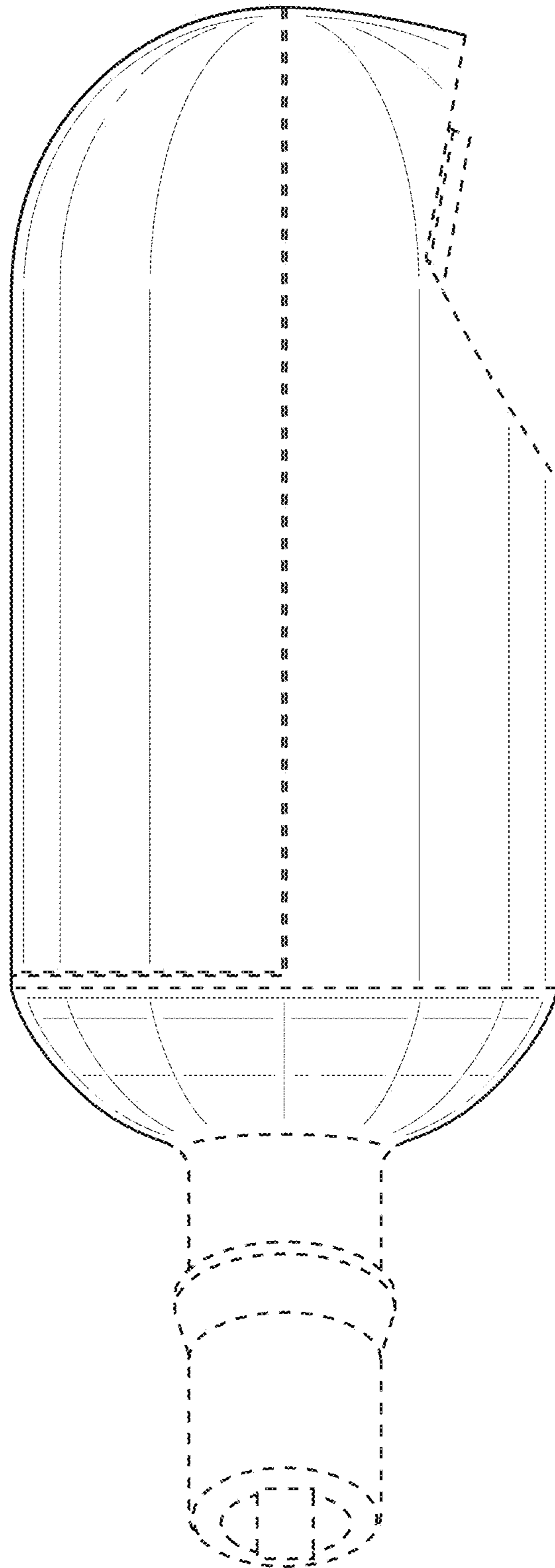
**FIG. 8**



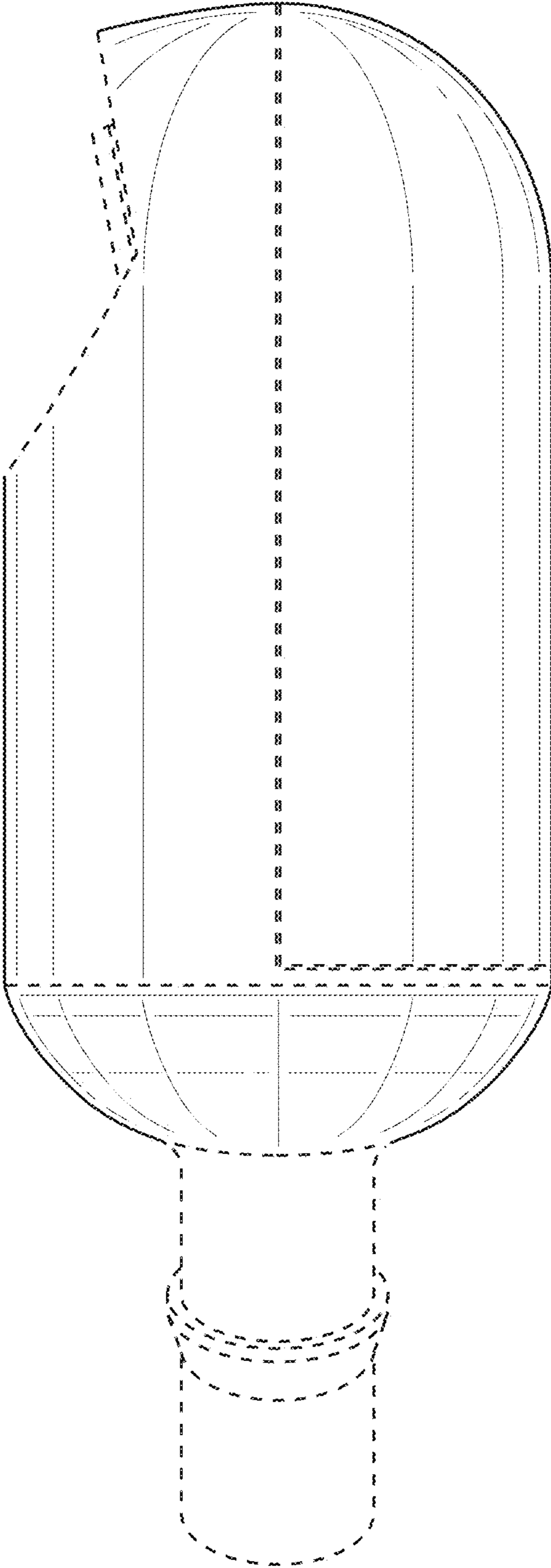
**FIG. 9**



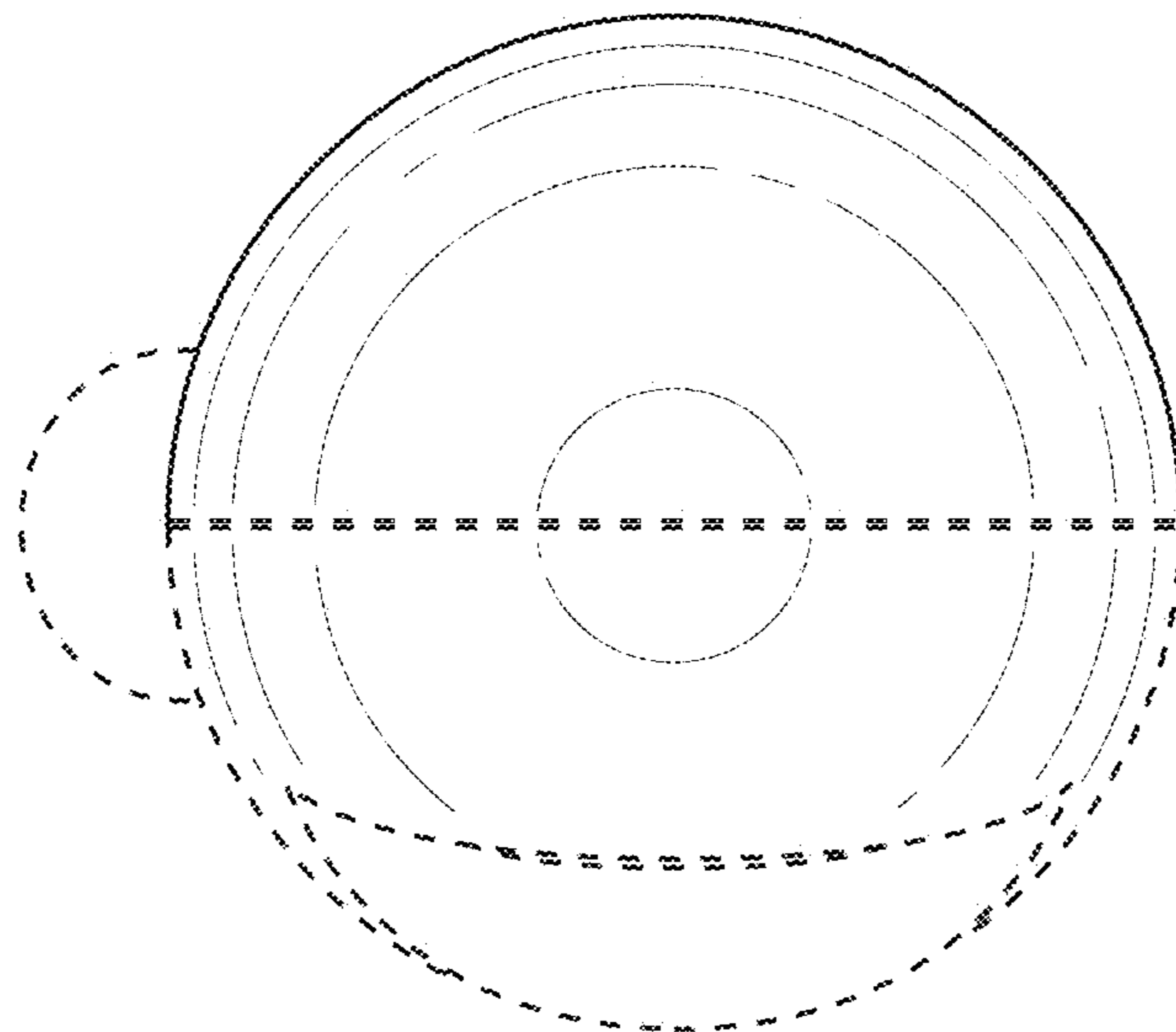
**FIG. 10**



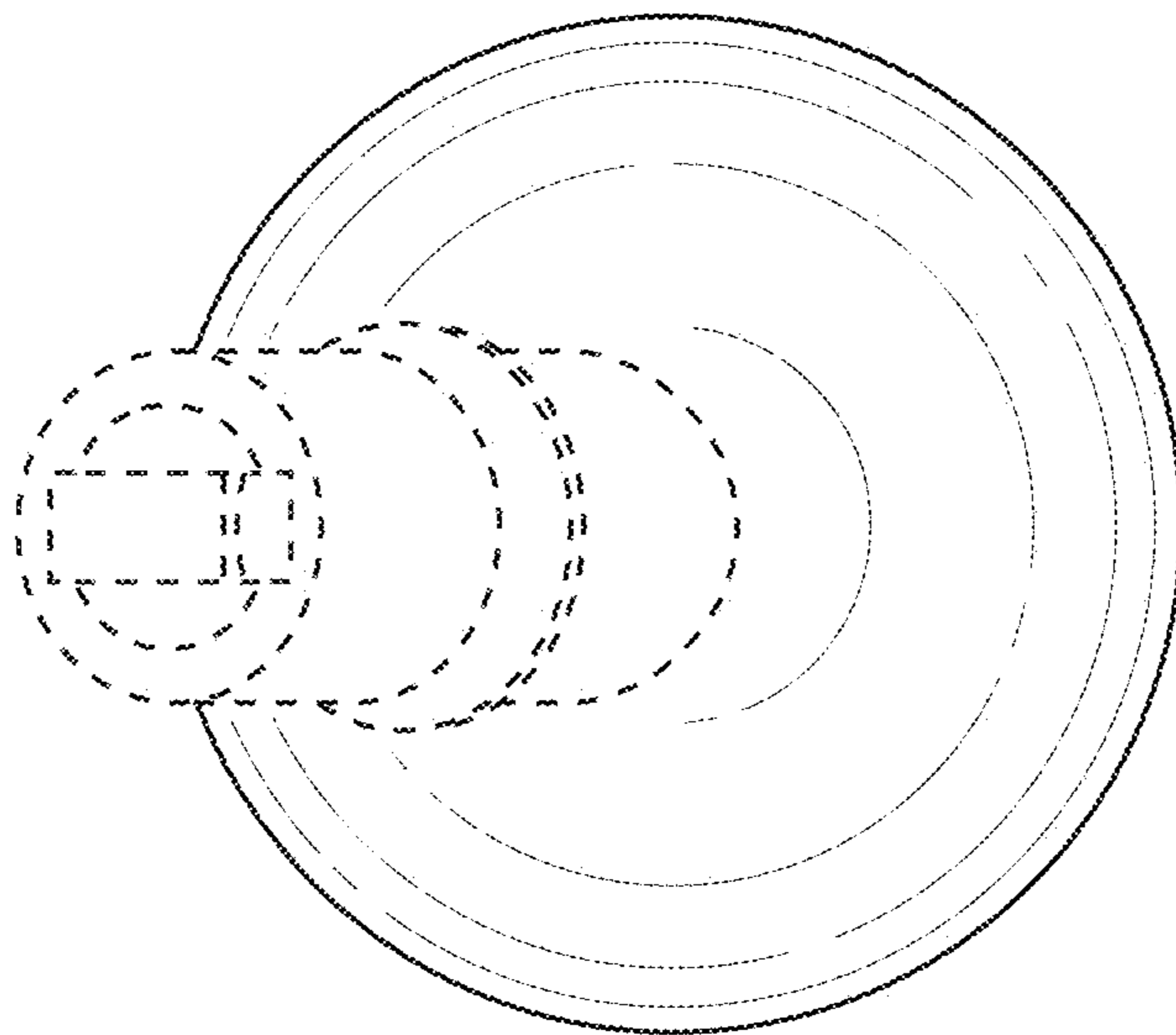
**FIG. 11**



**FIG. 12**



**FIG. 13**



**FIG. 14**