

US00D901450S

(12) **United States Design Patent**
Wang

(10) **Patent No.:** **US D901,450 S**

(45) **Date of Patent:** **** Nov. 10, 2020**

(54) **REMOTE CONTROL**

(71) Applicant: **Huan Wang**, Shenzhen (CN)

(72) Inventor: **Huan Wang**, Shenzhen (CN)

(**) Term: **15 Years**

(21) Appl. No.: **29/690,398**

(22) Filed: **May 7, 2019**

(51) **LOC (12) Cl.** **14-03**

(52) **U.S. Cl.**
USPC **D14/218**

(58) **Field of Classification Search**
USPC D13/168; D14/218
CPC G06F 3/0219; G06F 3/033; G09G 5/00;
G08C 17/02; H01H 9/0214; H01H
9/0235; H01H 9/0242
See application file for complete search history.

(56) **References Cited**

U.S. PATENT DOCUMENTS

- D628,985 S * 12/2010 VanDuyn D14/218
- D633,478 S * 3/2011 Bolton D14/218
- D654,476 S * 2/2012 Weitgasser D14/218

- D664,945 S * 8/2012 Morris D14/218
- D703,190 S * 4/2014 Zaslavsky D14/218
- D714,762 S * 10/2014 O'Neil D14/218
- 10,296,038 B2 * 5/2019 Maier G05G 9/02
- D856,309 S * 8/2019 Pang D14/218
- D856,310 S * 8/2019 Lu D14/218
- D856,978 S * 8/2019 Lu D14/218
- D882,550 S * 4/2020 Wang D14/218
- D882,551 S * 4/2020 Wang D14/218
- D887,393 S * 6/2020 Maier D14/218
- 2020/0023491 A1 * 1/2020 Maier B24C 1/003

* cited by examiner

Primary Examiner — Selina Sikder

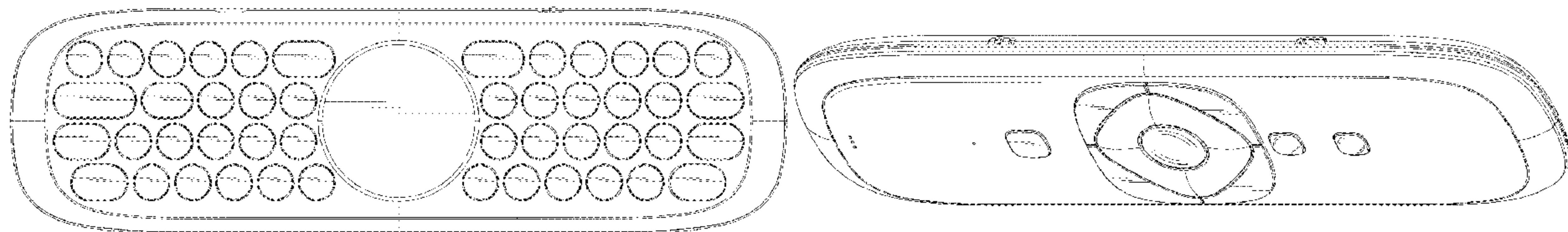
(57) **CLAIM**

The ornamental design for a remote control, as shown.

DESCRIPTION

FIG. 1 is a front elevational view of a remote control showing my new design;
 FIG. 2 is a rear elevational view thereof;
 FIG. 3 is a left side view thereof;
 FIG. 4 is a right side view thereof;
 FIG. 5 is a top plan view thereof;
 FIG. 6 is a bottom plan view thereof;
 FIG. 7 is a perspective view thereof; and,
 FIG. 8 is another perspective view thereof.

1 Claim, 8 Drawing Sheets



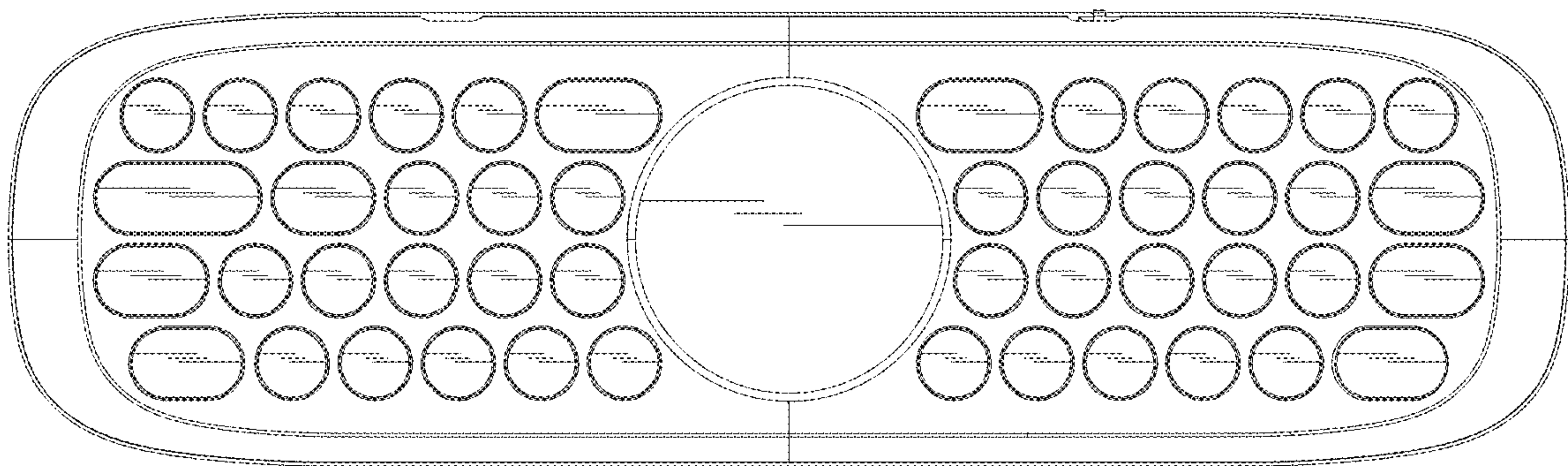


Fig. 1

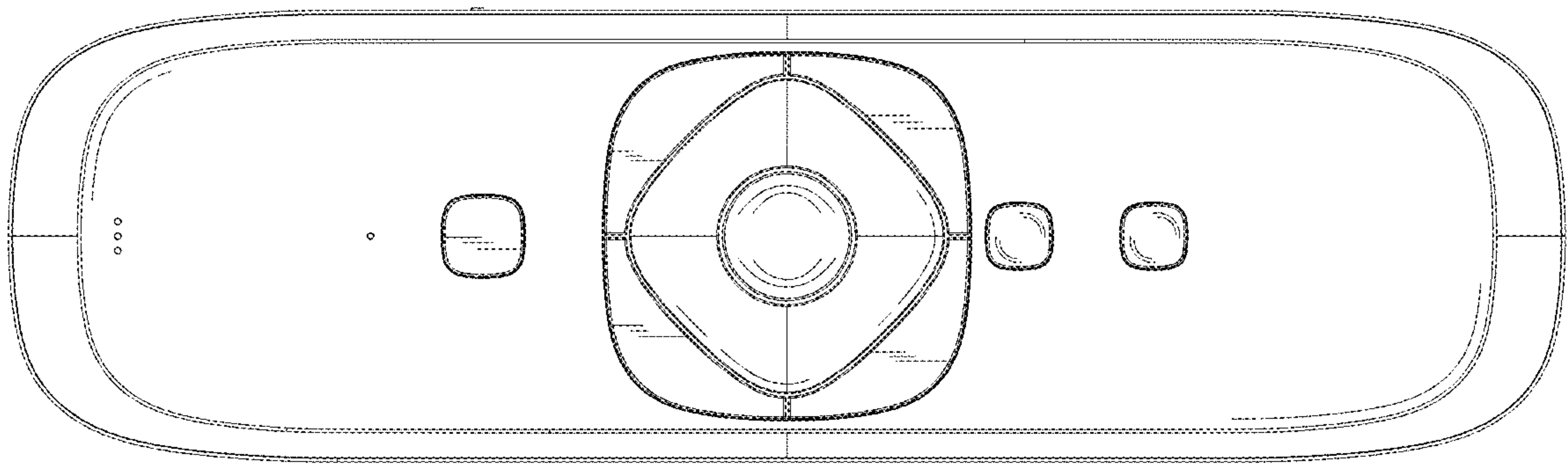


Fig. 2

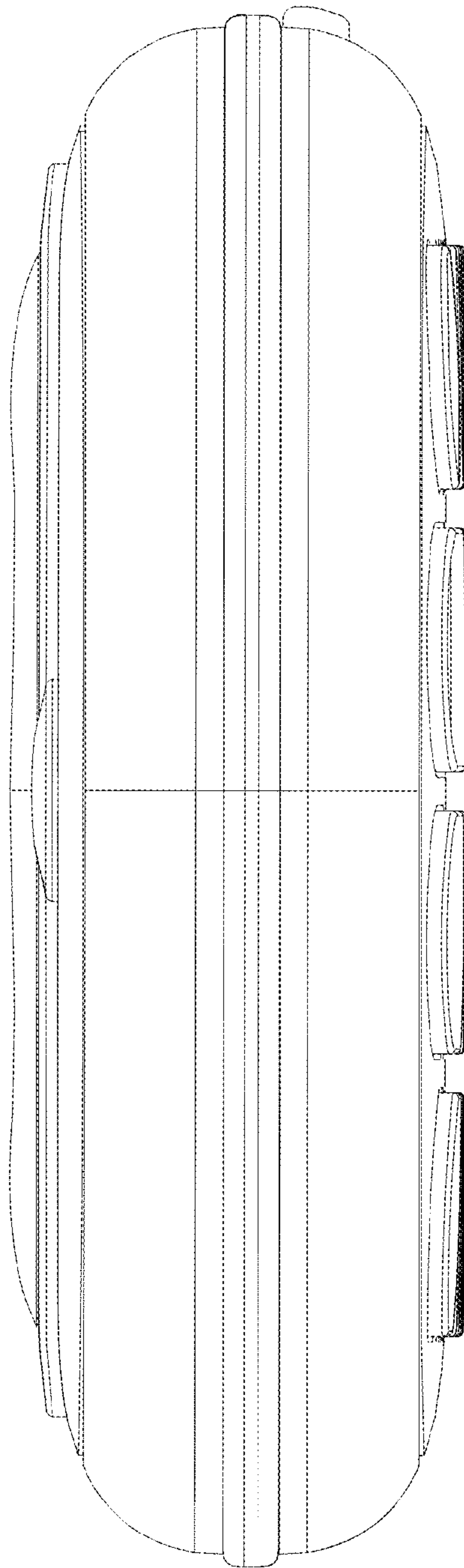


Fig. 3

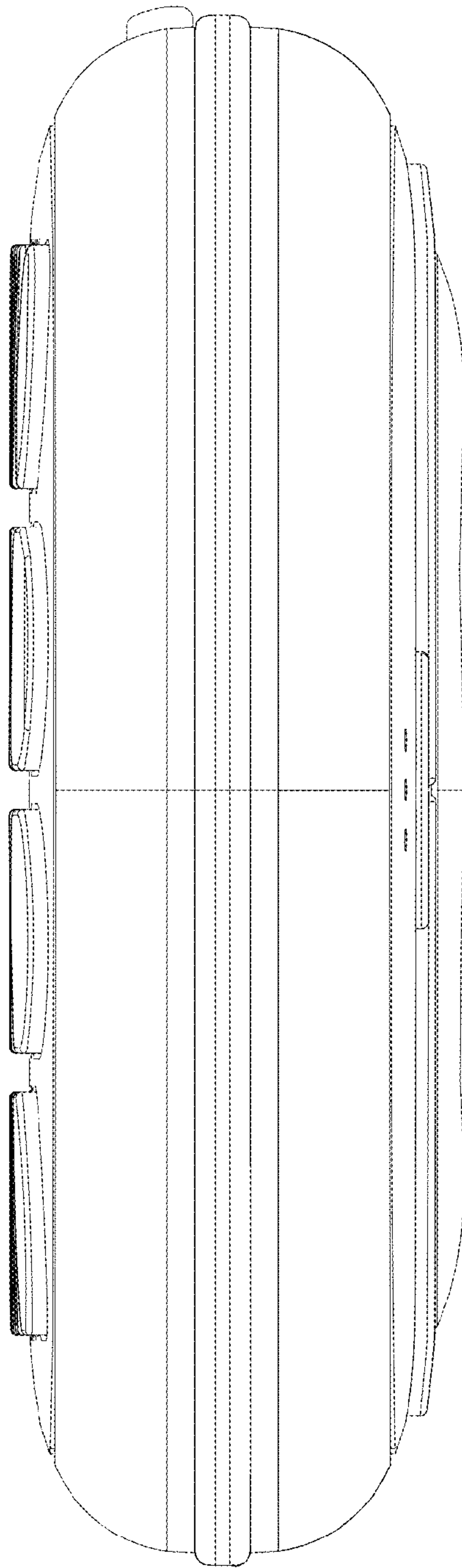


Fig. 4

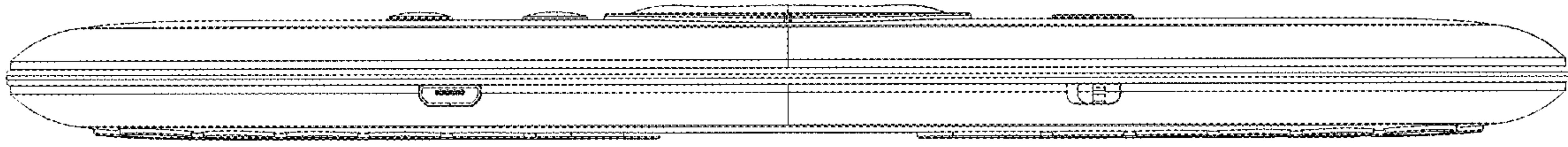


Fig. 5

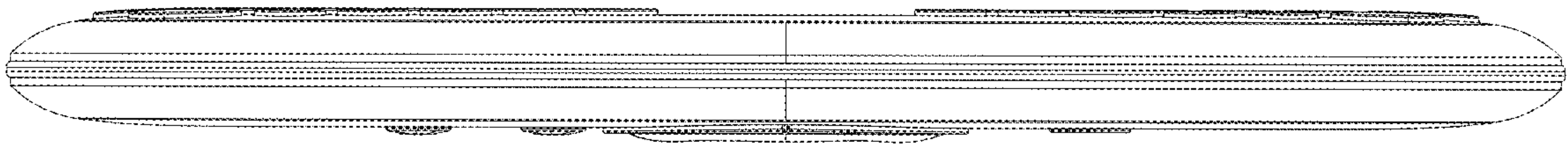


Fig. 6

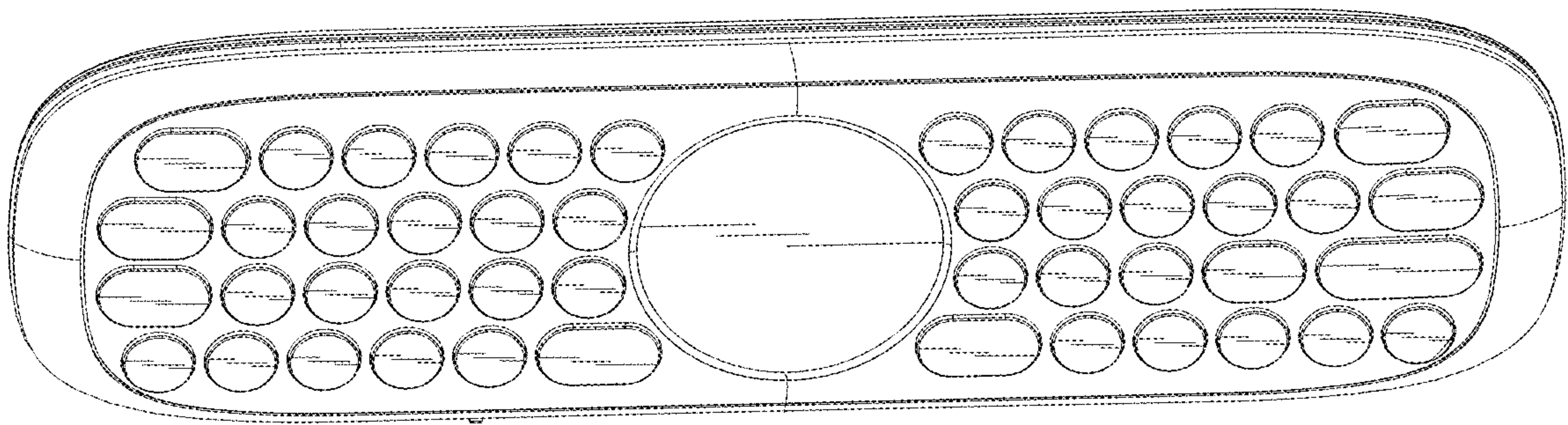


Fig. 7

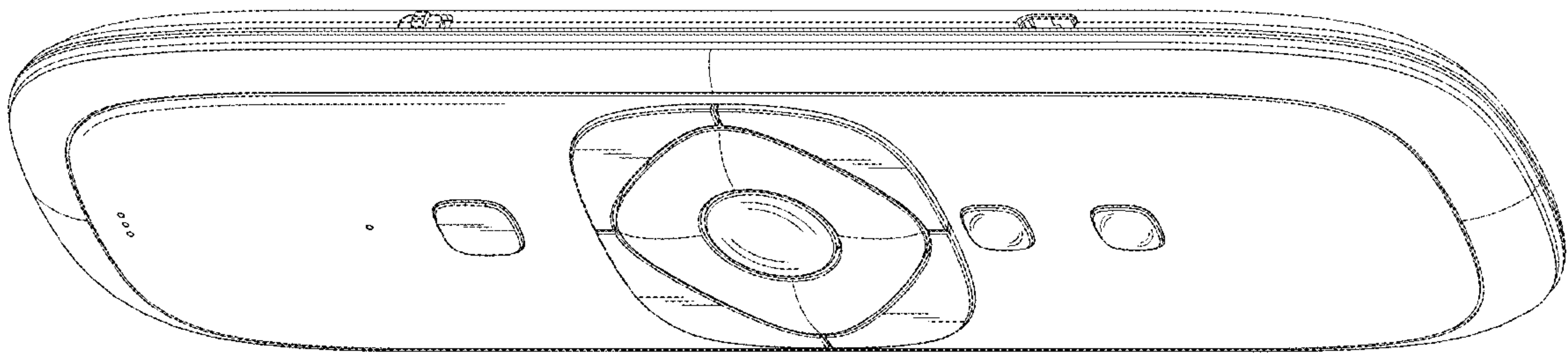


Fig. 8