



US00D901447S

(12) **United States Design Patent** (10) **Patent No.:** **US D901,447 S**
deBock et al. (45) **Date of Patent:** **** Nov. 10, 2020**

(54) **REMOTE**

(71) Applicant: **SPR Therapeutics, Inc.**, Cleveland, OH (US)

(72) Inventors: **Matthew G. deBock**, Morrisville, NC (US); **Joseph W. Boggs, II**, Chapel Hill, NC (US); **Matthew J. Wunzin**, Cleveland, OH (US); **Robert B. Strother, Jr.**, Willoughby Hills, OH (US); **Devin Sell**, Brecksville, OH (US); **Mark R. Stultz**, Maple Grove, MN (US); **Bradley A. Lewis**, Lyndhurst, OH (US)

(73) Assignee: **SPR Therapeutics, Inc.**, Cleveland, OH (US)

(**) Term: **15 Years**

(21) Appl. No.: **29/651,468**

(22) Filed: **Aug. 16, 2018**

(51) **LOC (12) Cl.** **14-03**

(52) **U.S. Cl.**
USPC **D14/218**

(58) **Field of Classification Search**
USPC D14/218, 401; D13/168; D21/333; D32/40

CPC G06F 3/0219; G06F 1/16; G06F 3/0202; G09G 5/00; G05B 19/02

See application file for complete search history.

(56) **References Cited**

U.S. PATENT DOCUMENTS

D371,198 S *	6/1996	Savage	D13/168
D392,740 S *	3/1998	Yung	D24/169
D415,160 S *	10/1999	Renk	D14/218
D451,891 S *	12/2001	Noonan	D13/168
D460,053 S *	7/2002	Choi	D13/168
D545,438 S *	6/2007	Huang	D24/186
D548,347 S *	8/2007	Ichino	D24/186

D549,343 S *	8/2007	Schlagheck	D24/169
D564,499 S *	3/2008	Ohta	D14/218
D567,768 S *	4/2008	Lee	D13/168
D573,548 S *	7/2008	Chouji	D13/168
D609,197 S *	2/2010	Koskela	D13/168
D631,871 S *	2/2011	Demskie	D14/218
D657,754 S *	4/2012	Kashimoto	D13/168
D690,663 S *	10/2013	Chen	D13/168
D690,664 S *	10/2013	Chen	D13/168
D690,665 S *	10/2013	Chen	D13/168
D692,400 S *	10/2013	Ni	D10/104.1

(Continued)

FOREIGN PATENT DOCUMENTS

CN 304018855 * 1/2017

OTHER PUBLICATIONS

Press Room—SPR Therapeutics, <https://www.sprtherapeutics.com/news/press-room/>, site visited Sep. 14, 2019.*

Primary Examiner — John R Yeh

(74) *Attorney, Agent, or Firm* — McDonald Hopkins LLC

(57) **CLAIM**

The ornamental design for a remote, as shown and described.

DESCRIPTION

FIG. 1 is a top perspective view of a remote showing our new design;

FIG. 2 is a top perspective view thereof;

FIG. 3 is a front view thereof;

FIG. 4 is a rear view thereof;

FIG. 5 is a first side view thereof;

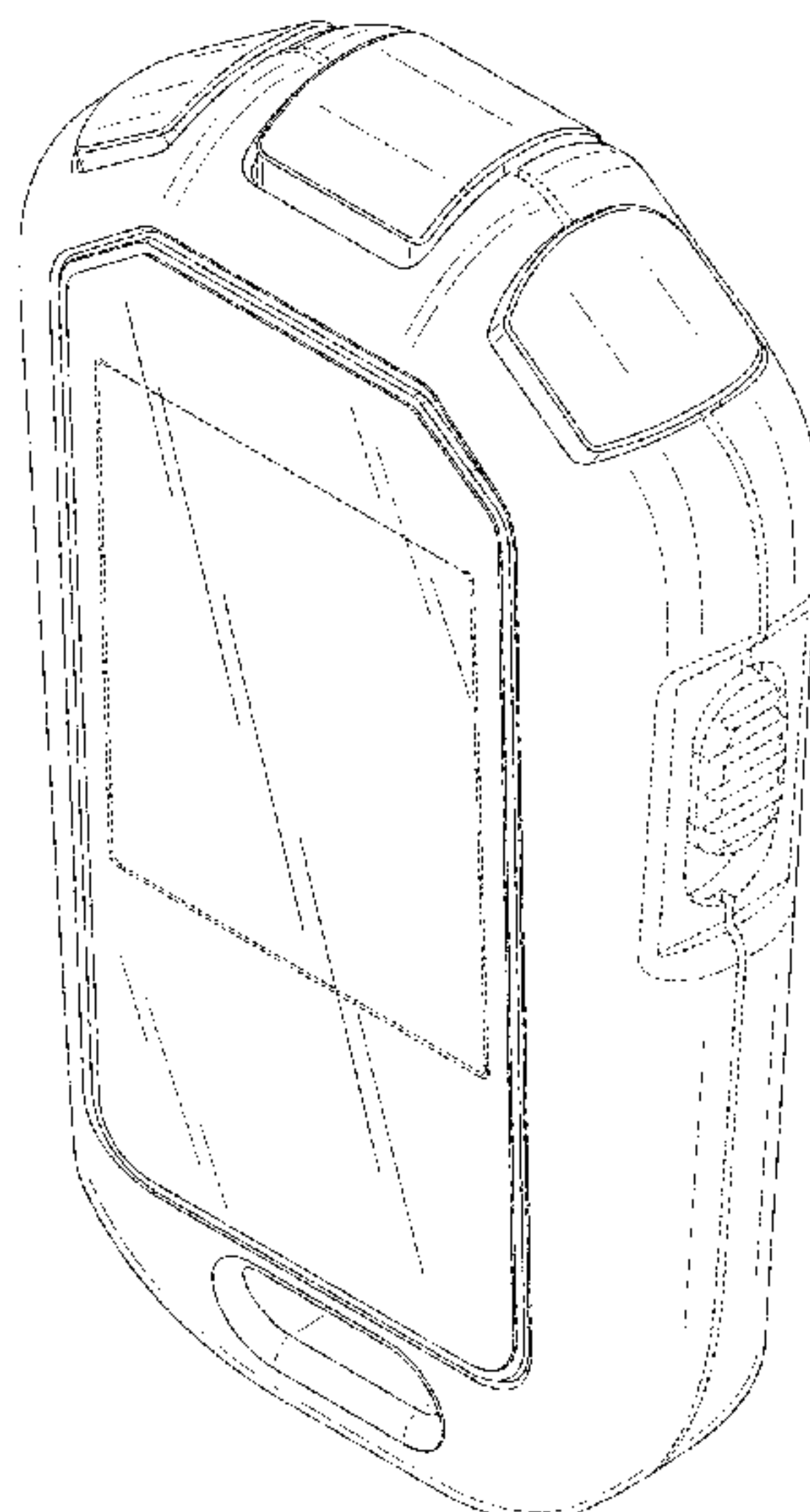
FIG. 6 is a second side view thereof;

FIG. 7 is a top view thereof; and,

FIG. 8 is a bottom view thereof.

The broken lines in the figures show portions of the remote that form no part of the claimed design.

1 Claim, 7 Drawing Sheets



(56)

References Cited

U.S. PATENT DOCUMENTS

D697,500 S *	1/2014	Tsai	D14/218
8,702,624 B2 *	4/2014	Alden	A61B 5/15113
				600/583
D754,081 S *	4/2016	Woodman	D13/168
D764,419 S *	8/2016	Kashimoto	D13/168
D804,452 S *	12/2017	Parfitt	D14/218
2008/0174546 A1 *	7/2008	Schneider	G06F 3/0202
				345/156

* cited by examiner

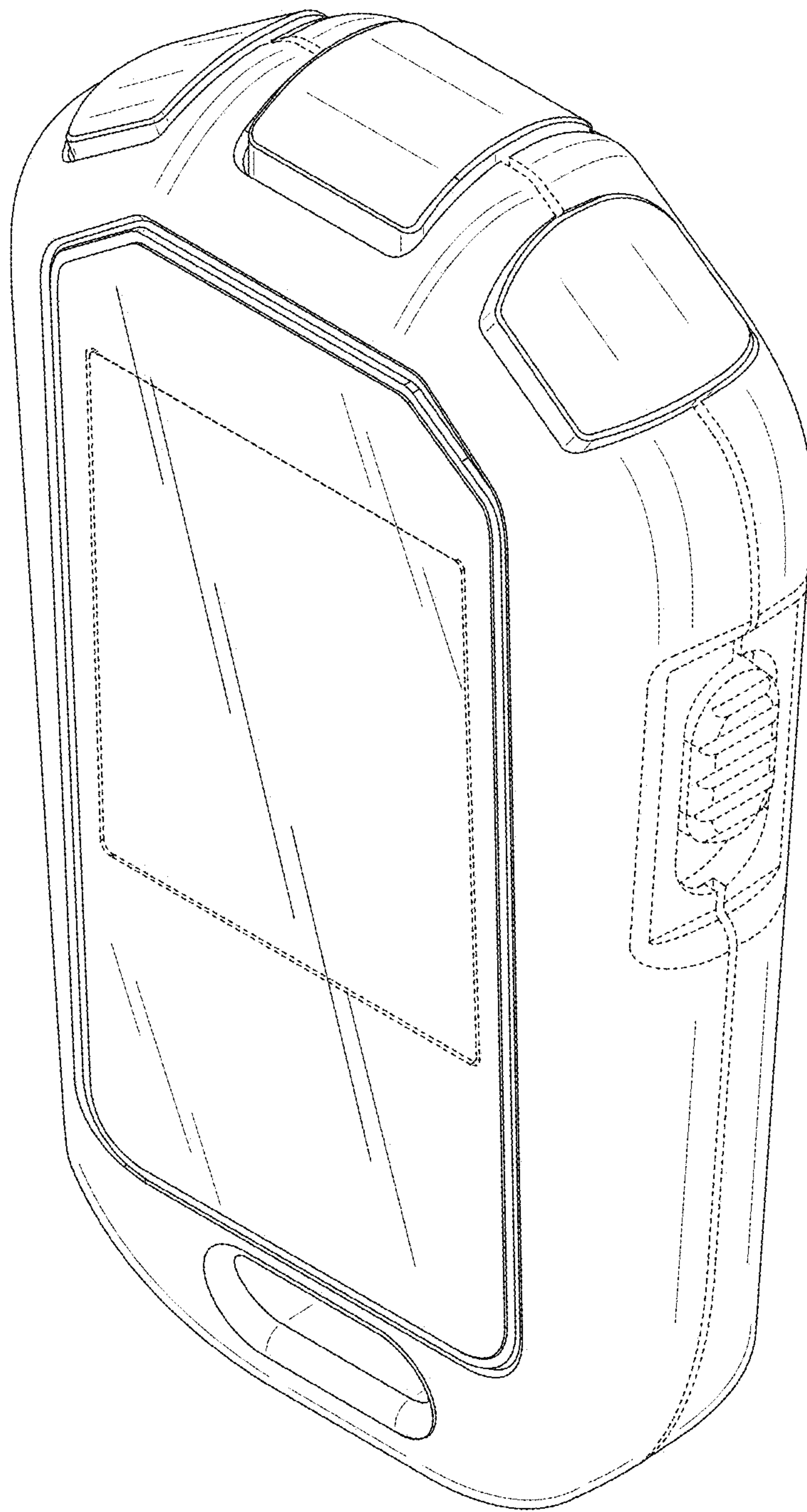


FIG. 1

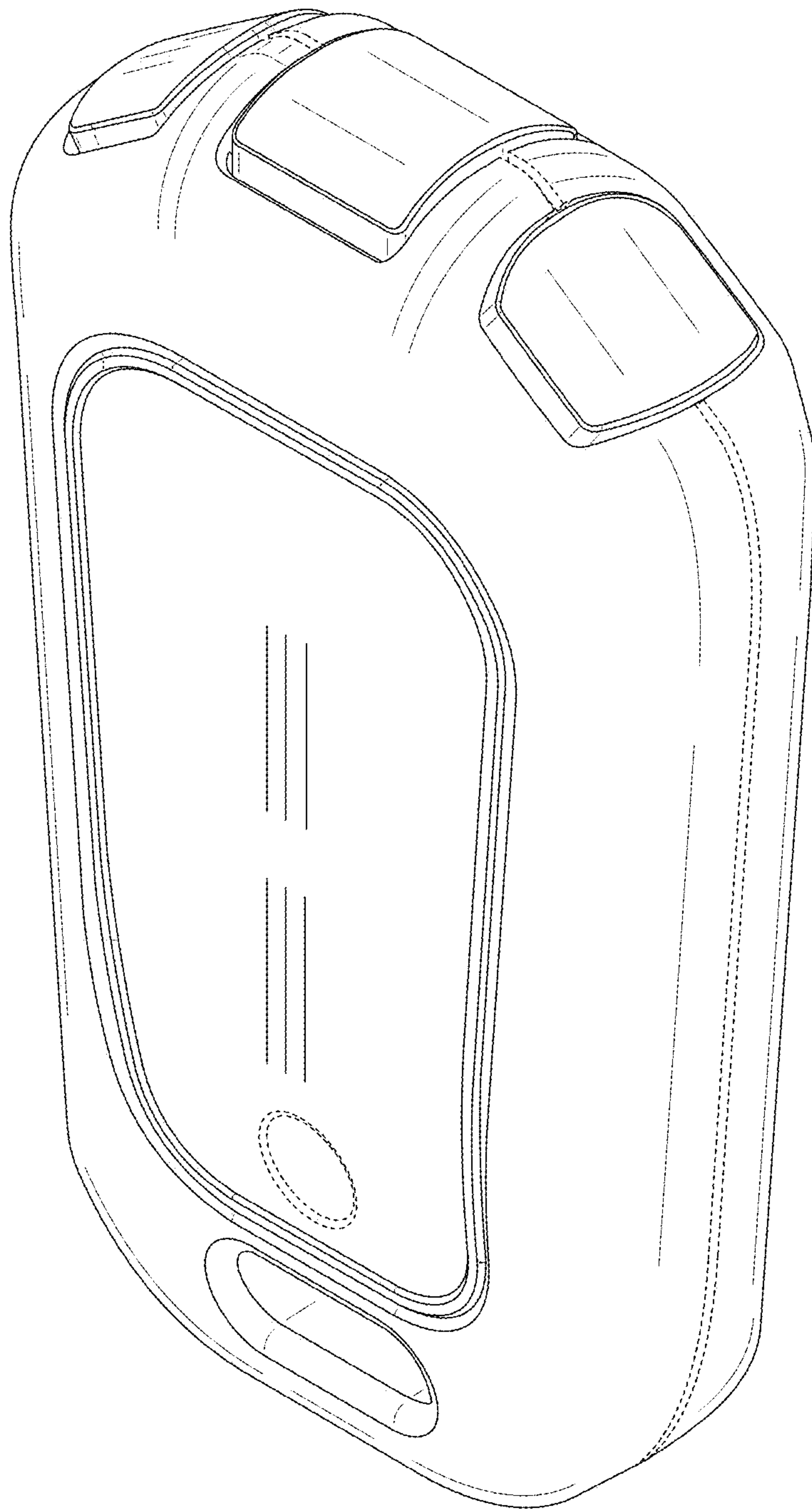


FIG. 2

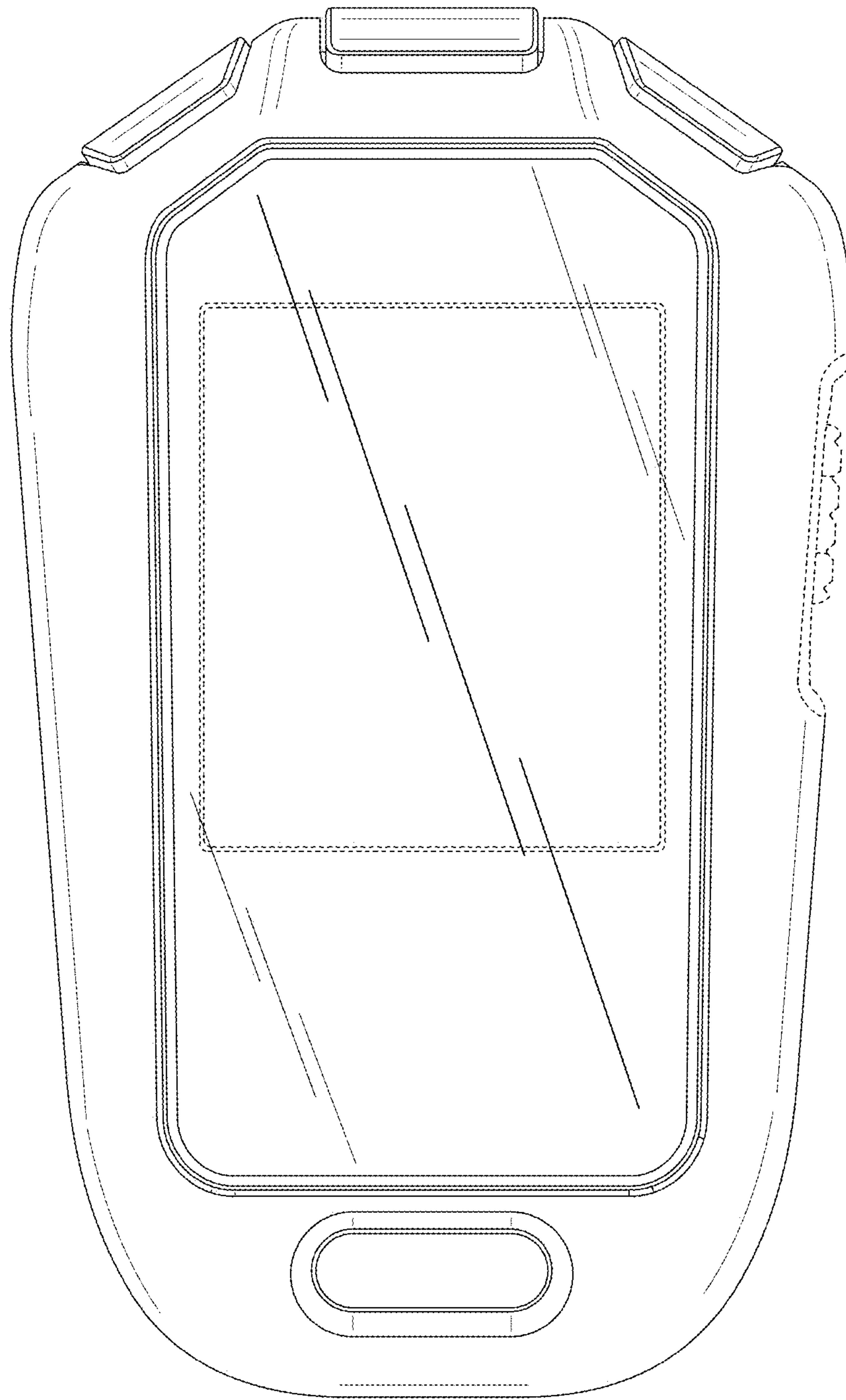


FIG. 3

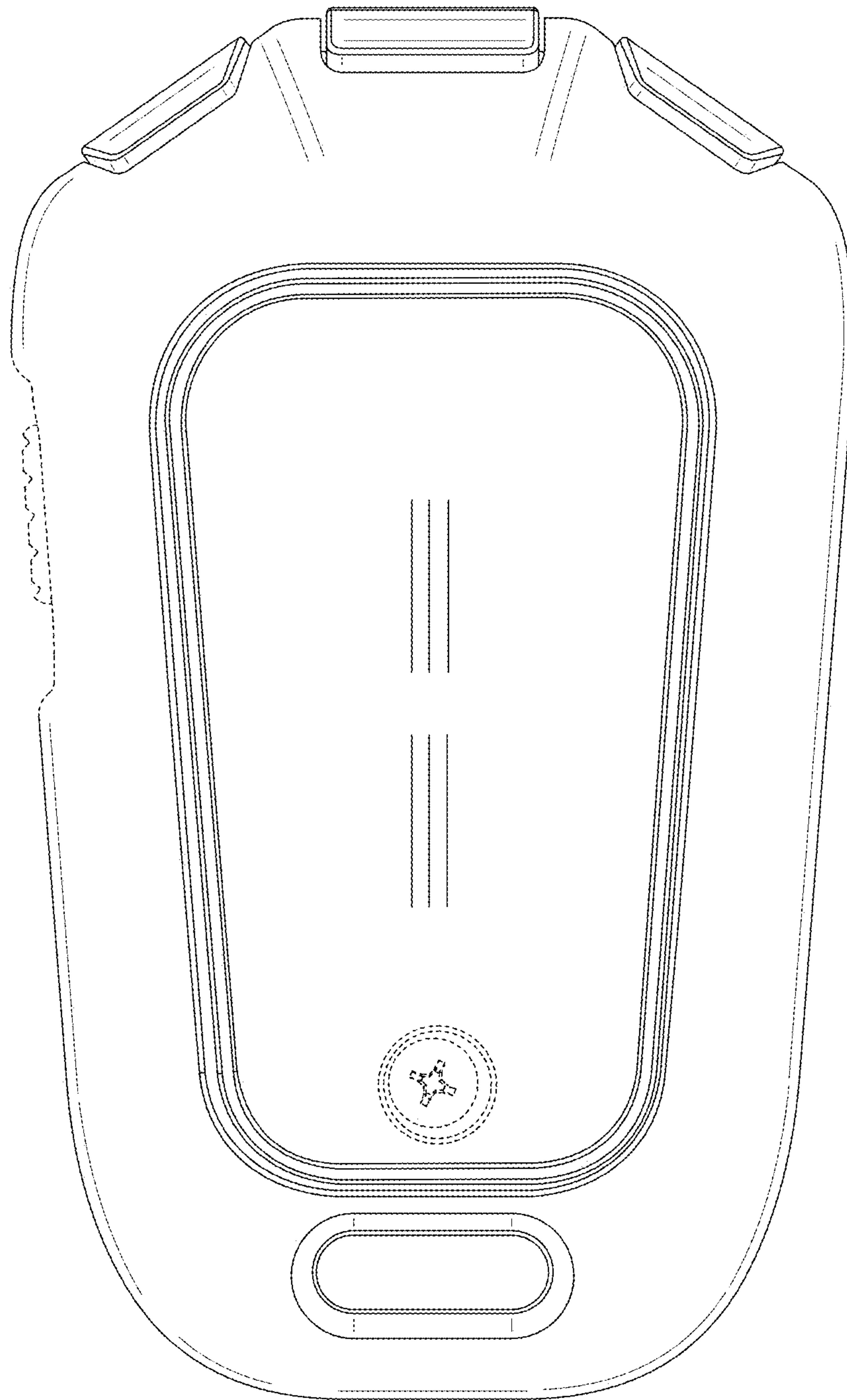


FIG. 4

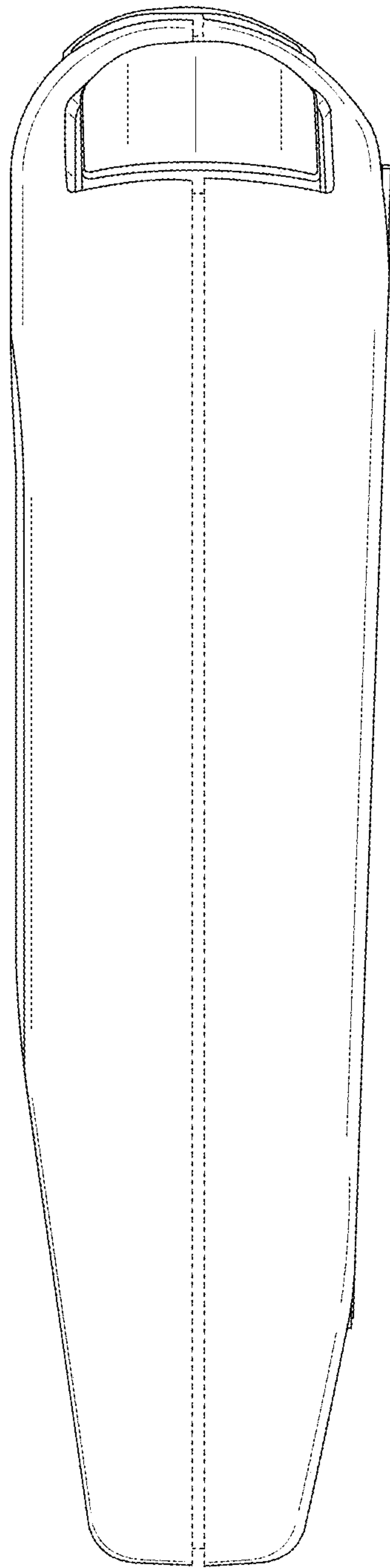


FIG. 5

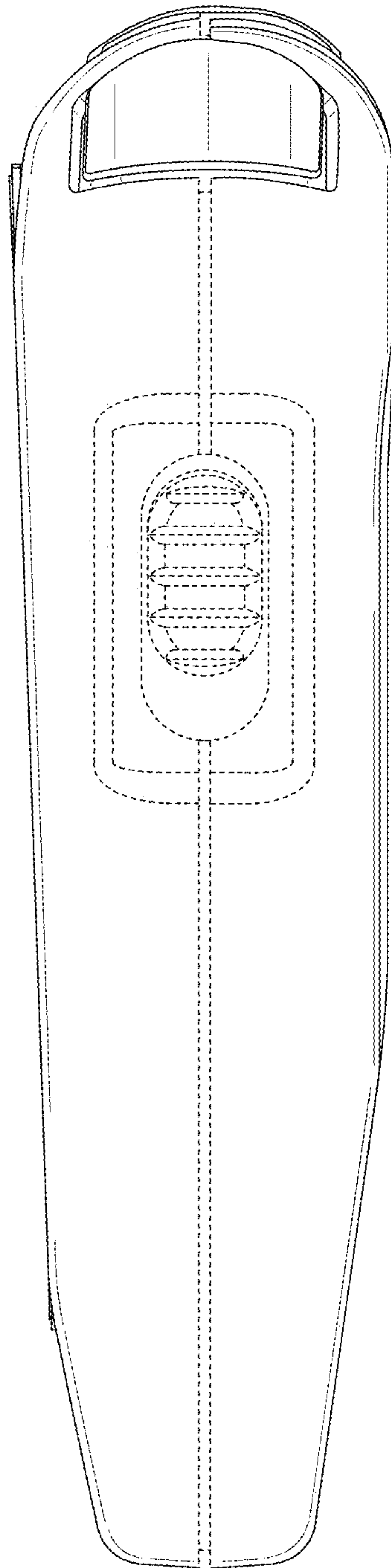


FIG. 6

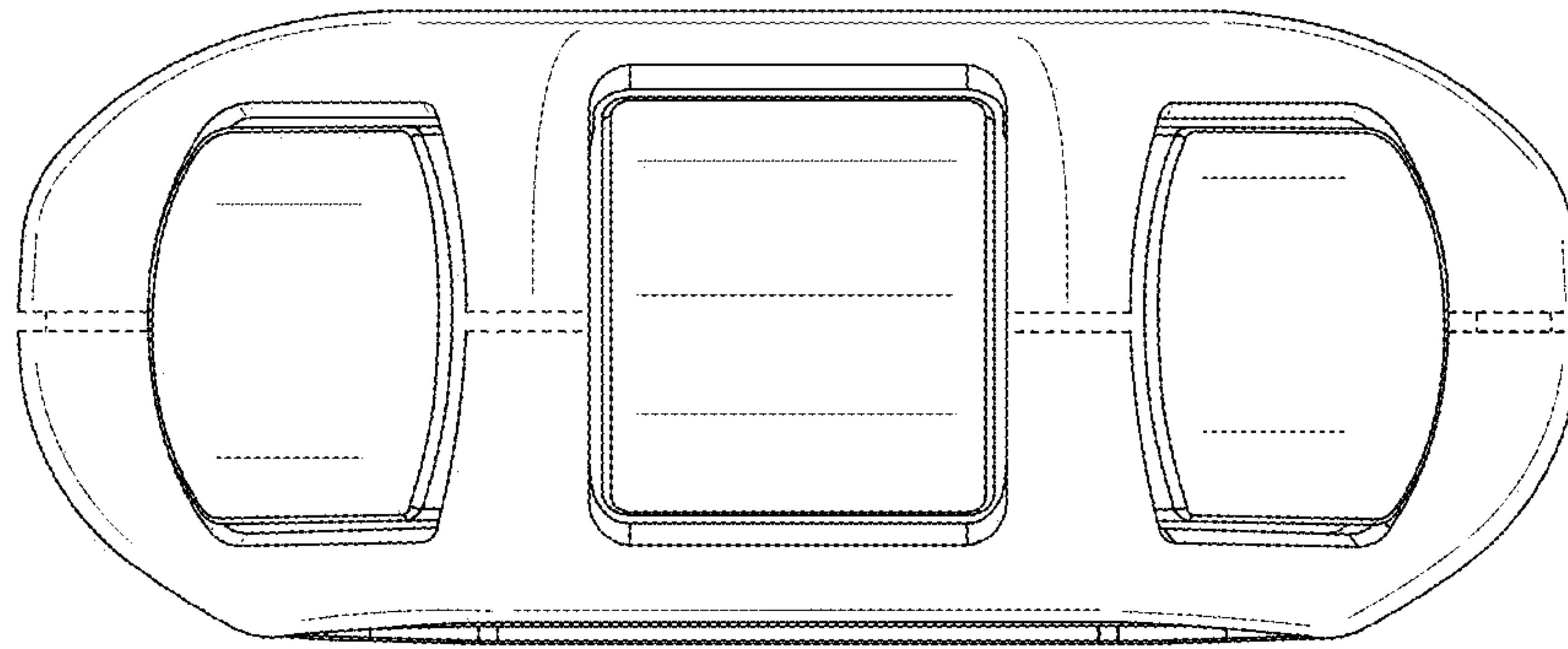


FIG. 7

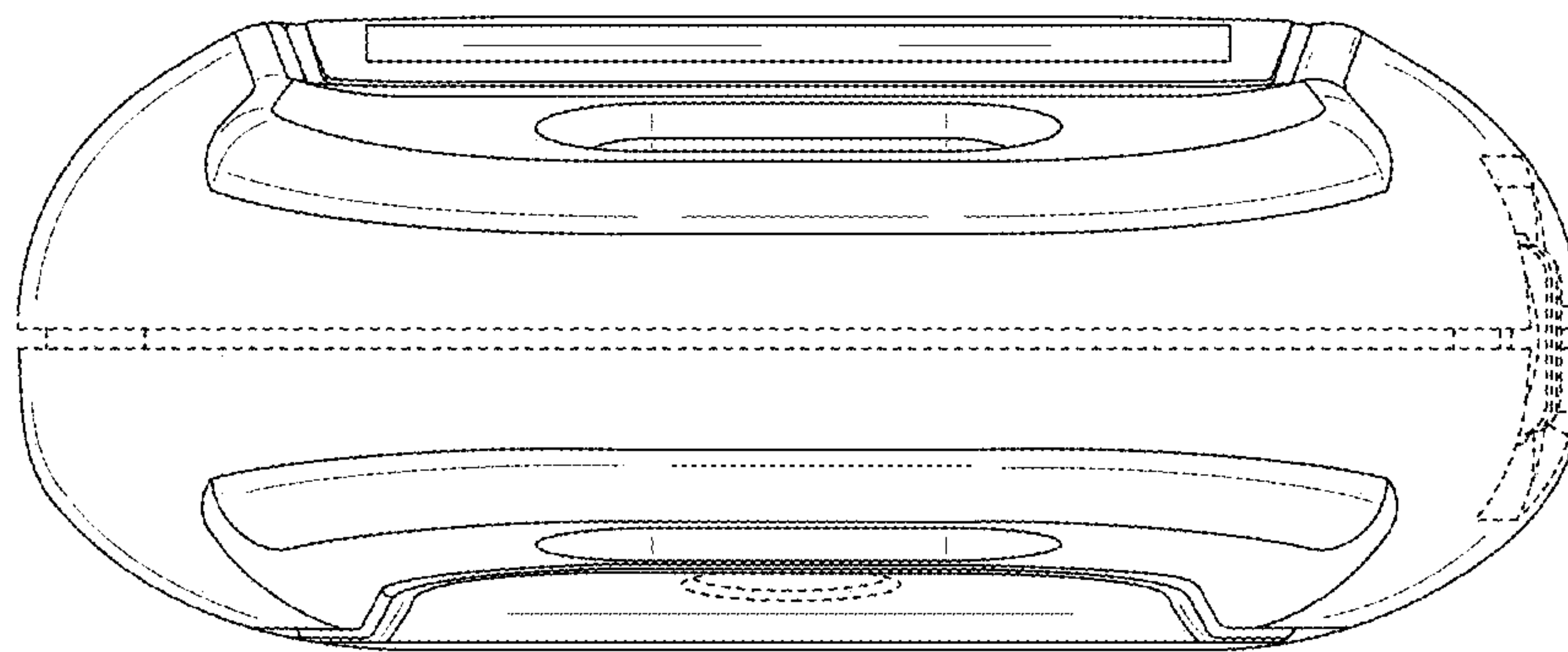


FIG. 8