



US00D901446S

(12) **United States Design Patent** (10) **Patent No.:** **US D901,446 S**
Lee (45) **Date of Patent:** **** Nov. 10, 2020**

(54) **CONTROLLER FOR VEHICLE VIDEO RECORDER**

(71) Applicant: **THINKWARE CORPORATION**, Gyeonggi-Do (KR)

(72) Inventor: **Yong Lee**, Seoul (KR)

(73) Assignee: **THINKWARE CORPORATION**, Gyeonggi-do (KR)

(**) Term: **15 Years**

(21) Appl. No.: **29/644,734**

(22) Filed: **Apr. 20, 2018**

(30) **Foreign Application Priority Data**

Jan. 4, 2018 (KR) 30-2018-0000531

(51) **LOC (12) Cl.** **14-03**

(52) **U.S. Cl.**
USPC **D14/218**

(58) **Field of Classification Search**
USPC D14/218; D13/168
See application file for complete search history.

(56) **References Cited**

U.S. PATENT DOCUMENTS

D307,739 S *	5/1990	Grant	D13/168
D368,721 S *	4/1996	Howell	D14/218
D371,791 S *	7/1996	Patton	D14/218
D371,792 S *	7/1996	Patton	D14/218
D371,793 S *	7/1996	Patton	D14/218
D435,835 S *	1/2001	Steck	D13/168
D438,513 S *	3/2001	Pinchuk	D13/168
D496,004 S *	9/2004	Borsboom	D13/168
D514,525 S *	2/2006	Stauffer	D13/168
D518,030 S *	3/2006	Lin	D14/218
D524,295 S *	7/2006	Jacobson	D14/218

D542,234 S *	5/2007	Shimizu	D13/168
D550,654 S *	9/2007	Miyawaki	D14/218
D556,155 S *	11/2007	Andre	D13/168
D558,767 S *	1/2008	Solland	D14/400
D596,622 S *	7/2009	Lee	D14/218
D598,008 S *	8/2009	Shimizu	D13/168

(Continued)

FOREIGN PATENT DOCUMENTS

CN	304593374	*	4/2018
CN	304651428	*	5/2018
CN	304723192	*	7/2018

OTHER PUBLICATIONS

Thinkware Dashcam GPS, Home Depot reviews 2016, [https://www.homedepot.com/p/Thinkware-Dashcam-GPS-for-Thinkware-F50-and-X330-D . . .](https://www.homedepot.com/p/Thinkware-Dashcam-GPS-for-Thinkware-F50-and-X330-D...) site visited Jul. 8, 2019.*

(Continued)

Primary Examiner — John R Yeh

(74) *Attorney, Agent, or Firm* — Leber IP Law; David C. Robertson

(57) **CLAIM**

The ornamental design for a controller for vehicle video recorder, as shown and described.

DESCRIPTION

FIG. 1 is a perspective view of a controller for vehicle video recorder showing my new design;

FIG. 2 is a front elevational view thereof;

FIG. 3 is a rear elevational view thereof;

FIG. 4 is a left side elevational view thereof;

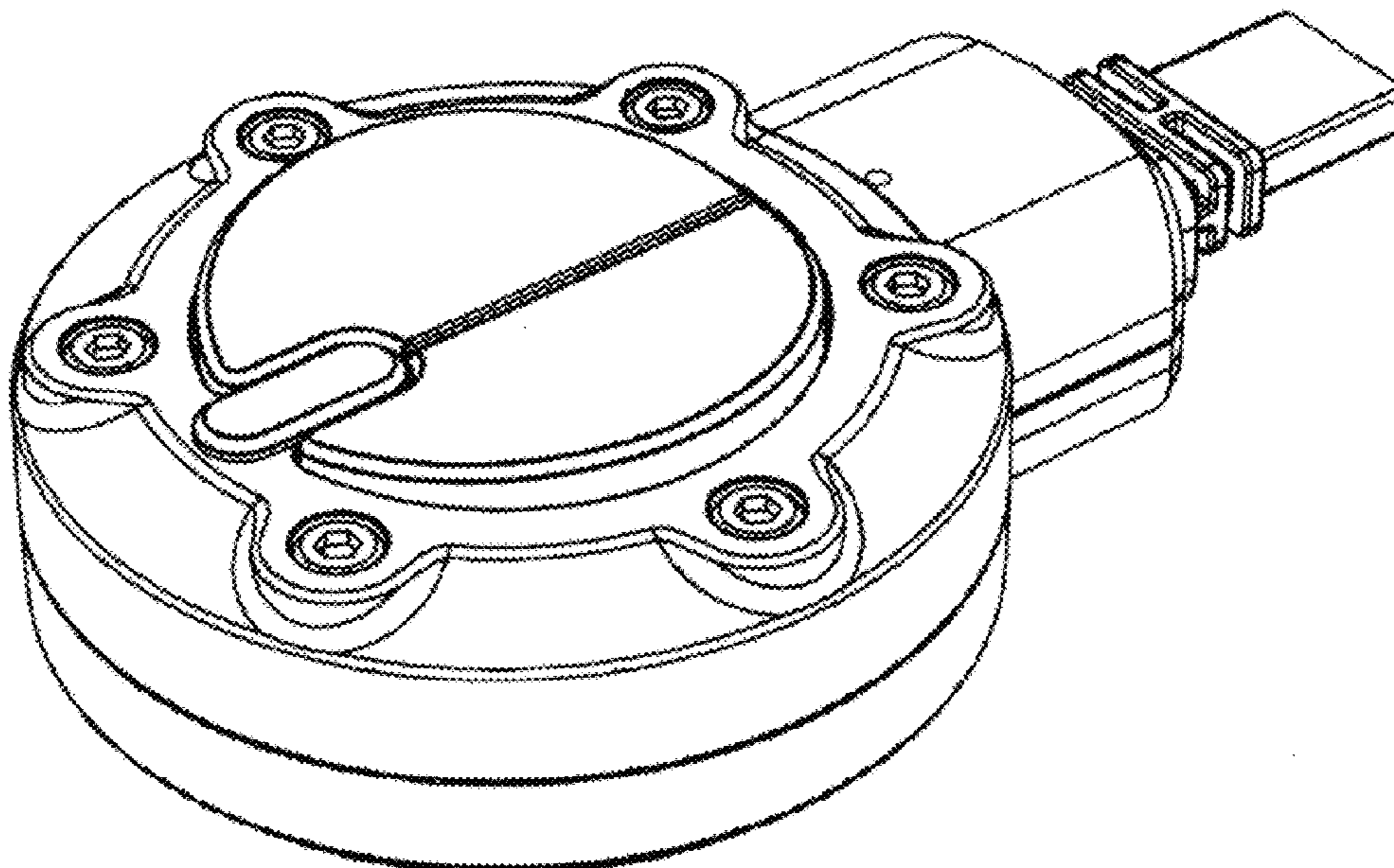
FIG. 5 is a right side elevational view thereof;

FIG. 6 is a top view thereof; and,

FIG. 7 is a bottom view thereof.

The broken lines depict portions of the controller for vehicle video recorder that form no part of the claimed design.

1 Claim, 7 Drawing Sheets



(56)

References Cited

U.S. PATENT DOCUMENTS

D632,265 S * 2/2011 Choi D13/168
D639,783 S * 6/2011 Murayama D14/218
RE42,686 E * 9/2011 Shimizu D13/168
8,188,842 B2 * 5/2012 Otsuka G08C 17/02
340/12.15
D666,175 S * 8/2012 Yamada D14/218
8,565,467 B1 * 10/2013 Tseng H04R 1/1016
181/129
D700,904 S * 3/2014 Miller D13/168
8,942,385 B1 * 1/2015 Jones H04R 1/1041
381/101
D728,489 S * 5/2015 Eriksen D13/168
D743,954 S * 11/2015 Chuang D13/168
D746,165 S * 12/2015 Li D10/104.1
D793,356 S * 8/2017 Hardi D14/205
9,768,746 B2 * 9/2017 Zalisk G06F 3/0312
D799,450 S * 10/2017 Lee D14/218
D834,560 S * 11/2018 Hardi D14/218
D849,704 S * 5/2019 Kim D14/137
D855,586 S * 8/2019 Bang D14/218
D861,644 S * 10/2019 Sohn D14/218

OTHER PUBLICATIONS

Amazon.com: CHORTAU Dual Dash Cam, reviews 2019, <https://www.amazon.com/CHORTAU-Dashboard-G-Sensor-Recording-Detection/dp/B07Q...> site visited Jul. 8, 2019.*

* cited by examiner

FIG. 1

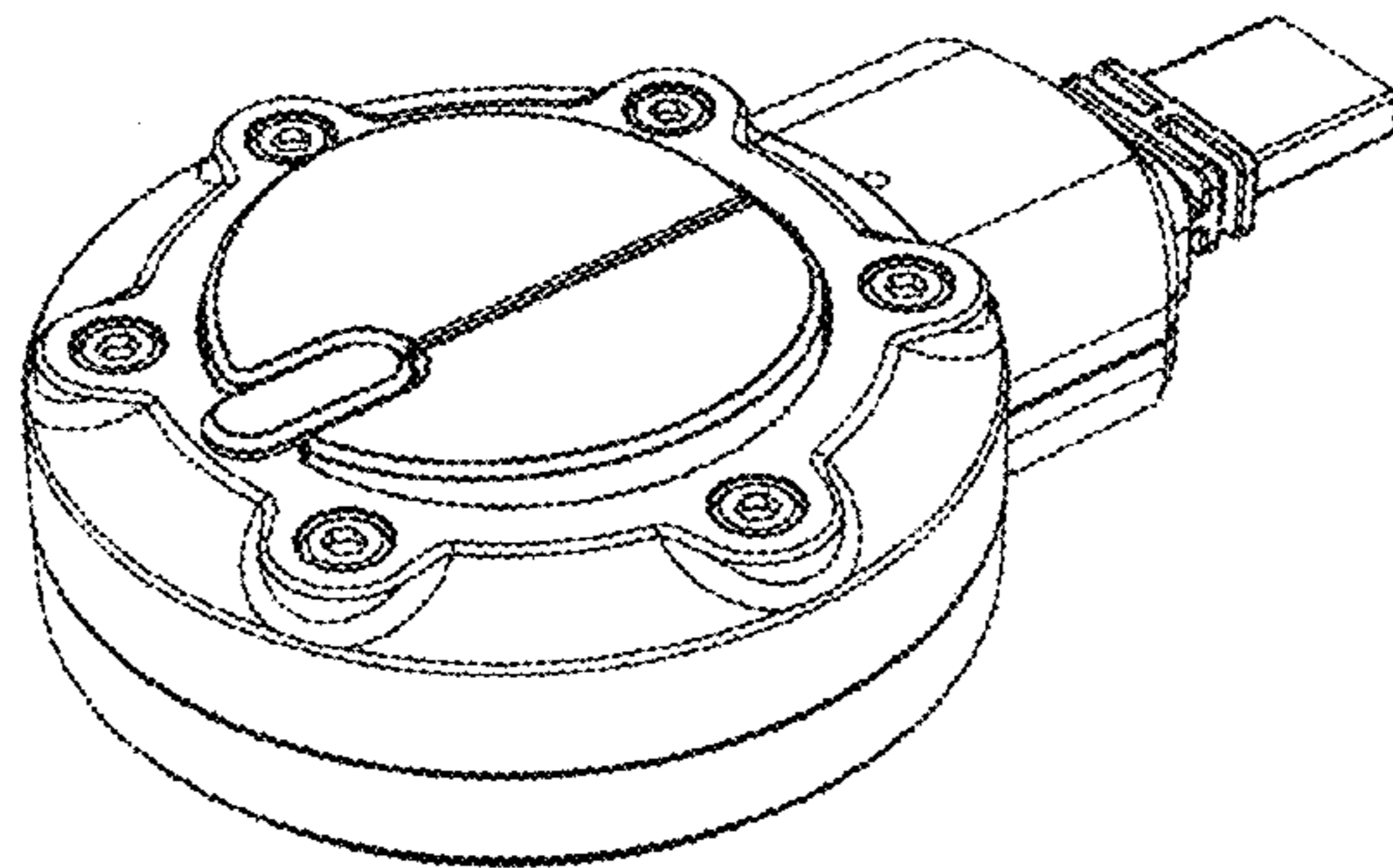


FIG. 2

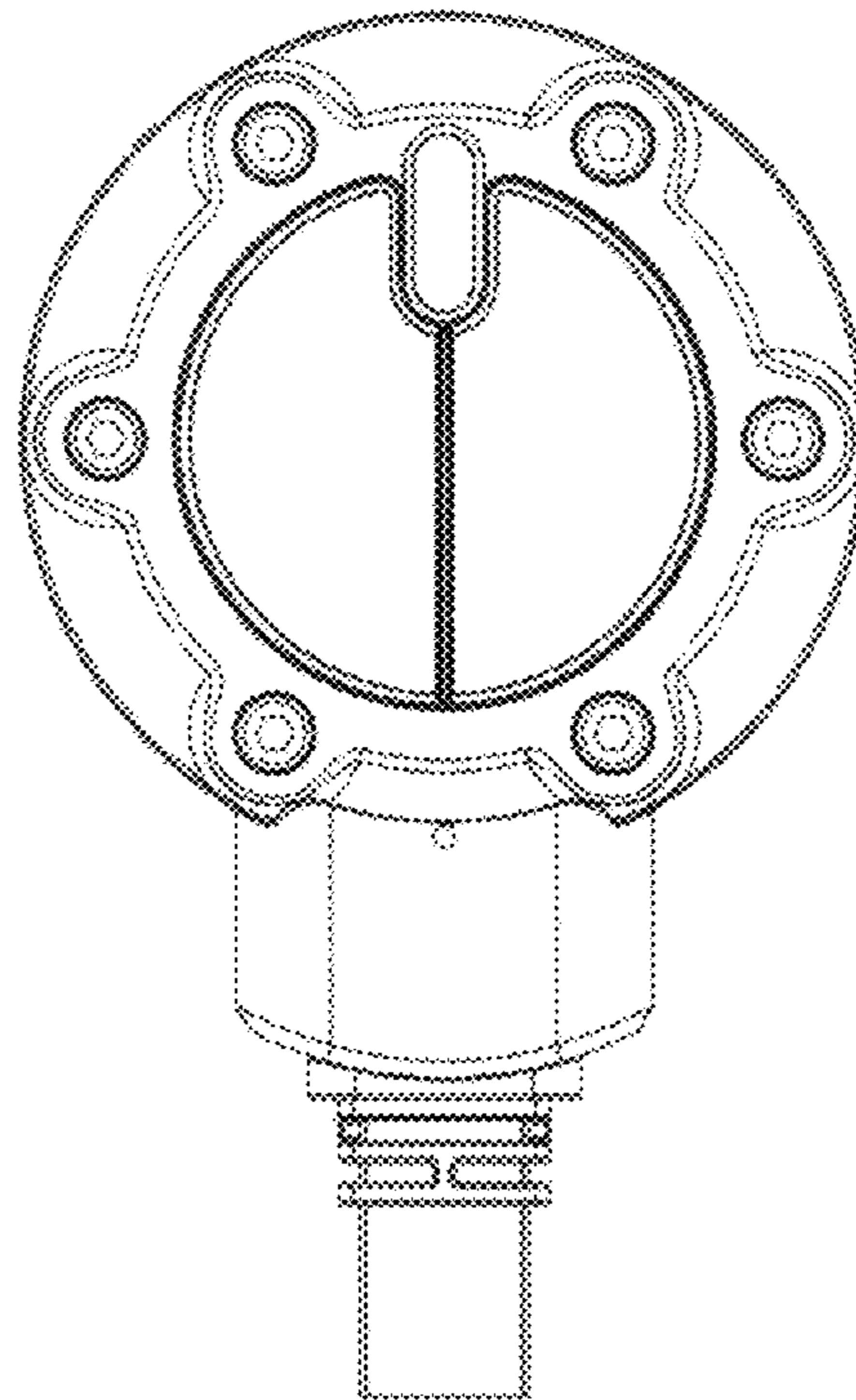


FIG. 3

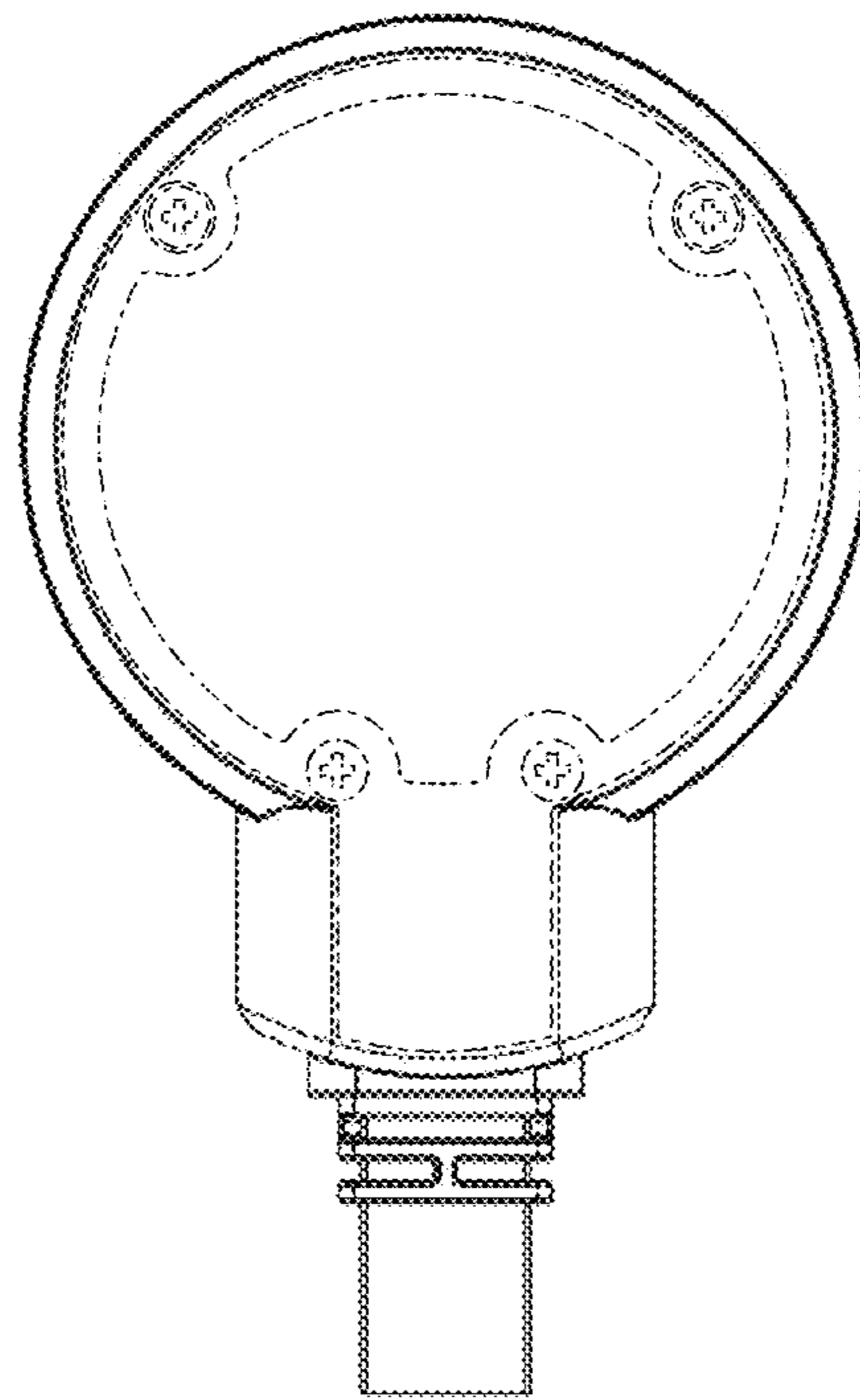


FIG. 4

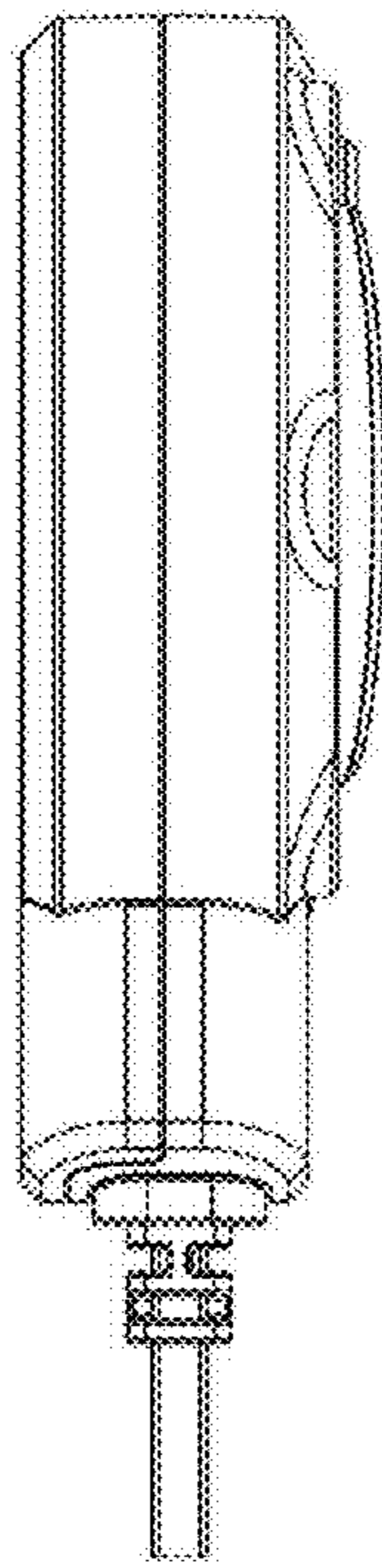


FIG. 5

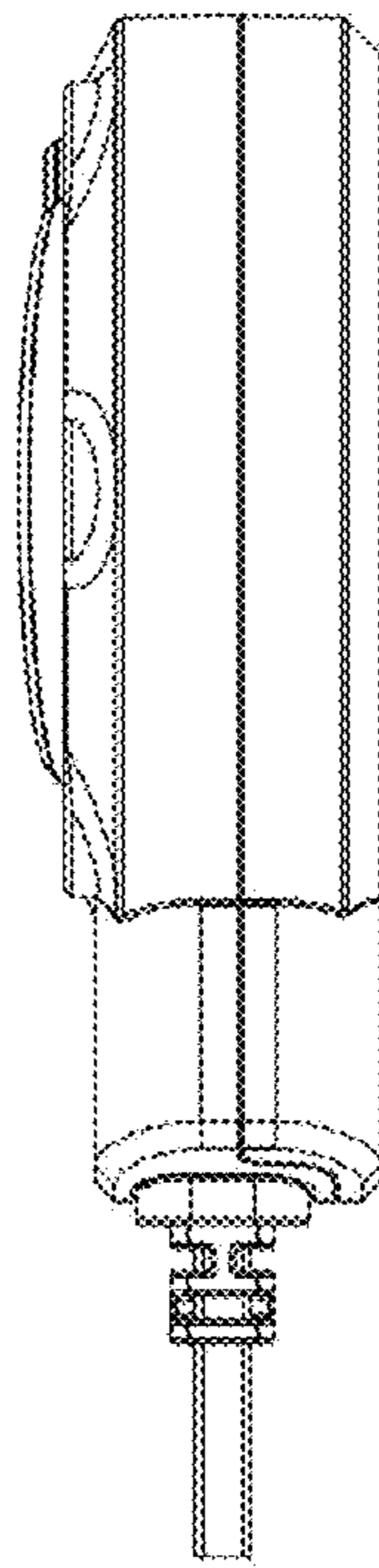


FIG. 6



FIG. 7

