



US00D901444S

(12) **United States Design Patent**  
**Huang**

(10) **Patent No.:** **US D901,444 S**

(45) **Date of Patent:** **\*\* Nov. 10, 2020**

(54) **WIRELESS PRESENTER**

(71) Applicant: **Shanghai Knorvay Technology Co., Ltd.**, Shanghai (CN)

(72) Inventor: **Yongyan Huang**, Shanghai (CN)

(73) Assignee: **Shanghai Knorvay Technology Co., Ltd.**, Shanghai (CN)

(\*\*) Term: **15 Years**

(21) Appl. No.: **29/623,585**

(22) Filed: **Oct. 25, 2017**

(30) **Foreign Application Priority Data**

Aug. 1, 2017 (CN) ..... 2017 3 0346360

(51) **LOC (12) Cl.** ..... **14-03**

(52) **U.S. Cl.**  
USPC ..... **D14/218**

(58) **Field of Classification Search**  
USPC ..... D14/218; D13/168  
CPC ..... G09G 5/00; G06F 3/033; H05B 1/0244;  
H05B 3/04; G08C 23/04  
See application file for complete search history.

(56) **References Cited**

**U.S. PATENT DOCUMENTS**

D316,847 S *	5/1991	Rowen	.....	D13/168
D317,593 S *	6/1991	Rowen	.....	D13/168
D451,076 S *	11/2001	Sommer	.....	D13/168
6,680,673 B1 *	1/2004	Wong	.....	G08C 17/00 340/12.27
D496,003 S *	9/2004	Spira	.....	D13/168
D514,526 S *	2/2006	Chen	.....	D13/168
D569,813 S *	5/2008	Charleux	.....	D13/168
D589,941 S *	4/2009	Maier	.....	D14/218
D601,976 S *	10/2009	Petrillo	.....	D13/168
D602,919 S *	10/2009	Bodley	.....	D14/225
D605,178 S *	12/2009	Maier	.....	D14/218

D634,735 S *	3/2011	Maier	.....	D14/218
D647,510 S *	10/2011	Maier	.....	D14/218
D647,511 S *	10/2011	Maier	.....	D14/218
D673,137 S *	12/2012	Maier	.....	D14/218
D692,415 S *	10/2013	Zheng	.....	D14/218
D695,238 S *	12/2013	Diehl	.....	D13/168
D703,186 S *	4/2014	Zaslavsky	.....	D14/218
D708,598 S *	7/2014	Robinson	.....	D14/218
D719,935 S *	12/2014	Diamond	.....	D14/218
D755,758 S *	5/2016	Maier	.....	D14/218

(Continued)

**FOREIGN PATENT DOCUMENTS**

EM	004420578-0001	*	11/2017
EM	004420578-0002	*	11/2017

**OTHER PUBLICATIONS**

Laser Pointer, Wireless Presenter Product on Alibaba.com, website 2019, [https://www.alibaba.com/product-detail/2-4-ghz-Wireless-Powerpoint-Presenter\\_60778827596.html?spm=a2700.7724857.normalList.6.18abfcc6h3tXM3&s=p](https://www.alibaba.com/product-detail/2-4-ghz-Wireless-Powerpoint-Presenter_60778827596.html?spm=a2700.7724857.normalList.6.18abfcc6h3tXM3&s=p), site visited Mar. 3, 2019.\*

(Continued)

*Primary Examiner* — John R Yeh

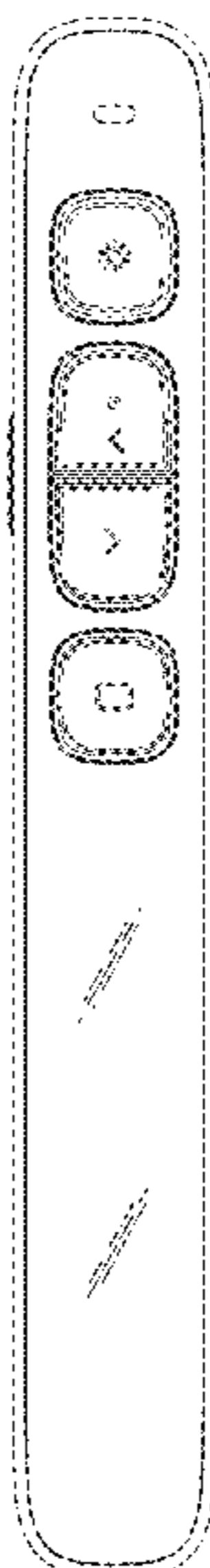
(57) **CLAIM**

The ornamental design for a wireless presenter, as shown and described.

**DESCRIPTION**

FIG. 1 is a front view of a wireless presenter, showing my new design;  
FIG. 2 is a rear view thereof;  
FIG. 3 is a left side view thereof;  
FIG. 4 is a right side view thereof;  
FIG. 5 is a top view thereof;  
FIG. 6 is a bottom view thereof;  
FIG. 7 is a front perspective view thereof; and,  
FIG. 8 is a rear perspective view thereof.

**1 Claim, 8 Drawing Sheets**



(56)

**References Cited**

## U.S. PATENT DOCUMENTS

D766,845 S \* 9/2016 Gong ..... D13/168  
D788,077 S \* 5/2017 Ducret ..... D14/218  
D798,272 S \* 9/2017 Desagre ..... D14/218  
D805,058 S \* 12/2017 Akana ..... D14/218  
D805,483 S \* 12/2017 McRoberts ..... D13/168  
D811,351 S \* 2/2018 O'Connell ..... D13/168  
9,891,668 B2 \* 2/2018 Abe ..... G06F 1/1633  
D825,102 S \* 8/2018 Bowen ..... D27/167  
D826,937 S \* 8/2018 Ruegg ..... D14/388  
10,070,669 B2 \* 9/2018 Monsees ..... H05B 1/0244  
10,111,470 B2 \* 10/2018 Monsees ..... H05B 3/04  
D851,631 S \* 6/2019 Einaudi ..... D14/218  
2008/0124085 A1 \* 5/2008 Yoshikawa ..... G08C 23/04  
398/106  
2018/0115735 A1 \* 4/2018 Hyun ..... G08C 23/04

## OTHER PUBLICATIONS

Wireless Ppt Presentation Laser Pointer, Alibaba website 2019,  
[https://www.alibaba.com/product-detail/Wireless-PPT-Presentation-Lecture-Laser-Pointer\\_60779186119.html?spm=a2700.7724857.normalList.132.61892919VZUbvF](https://www.alibaba.com/product-detail/Wireless-PPT-Presentation-Lecture-Laser-Pointer_60779186119.html?spm=a2700.7724857.normalList.132.61892919VZUbvF), site visited Mar. 3, 2019.\*

Amazon.com : KNORVAY N36 Hyperlink Wireless Presenter, reviews 2017, <https://www.amazon.com/Wireless-Presenter-Hyperlink-Powerpoint-Presentation/dp/B072HNPJGM#customerReviews>, site visited Mar. 3, 2019.\*

Amazon.com : KNORVAY N80 Wireless Presenter, reviews 2018, [https://www.amazon.com/Presenter-Rechargeable-Hyperlink-PowerPoint-Presentation/dp/B00OZGWYVS/ref=cm\\_cr\\_arp\\_d\\_product\\_top?ie=UTF8](https://www.amazon.com/Presenter-Rechargeable-Hyperlink-PowerPoint-Presentation/dp/B00OZGWYVS/ref=cm_cr_arp_d_product_top?ie=UTF8), site visited Mar. 3, 2019.\*

\* cited by examiner

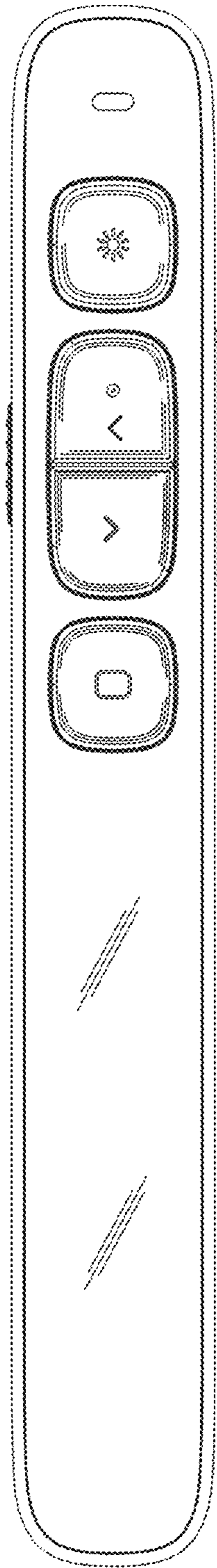


FIG. 1

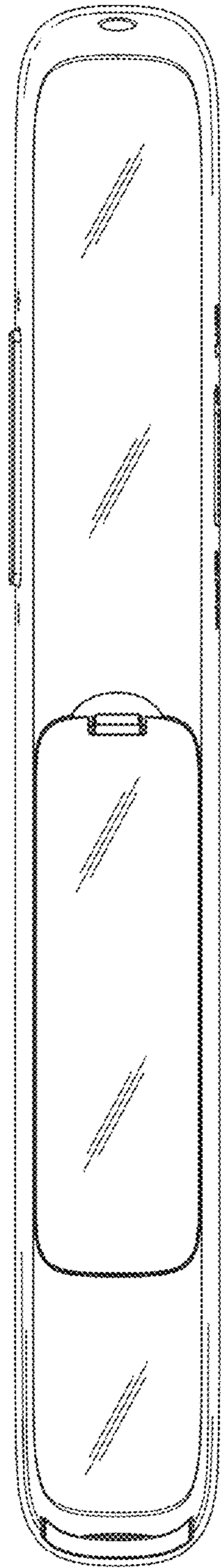


FIG. 2

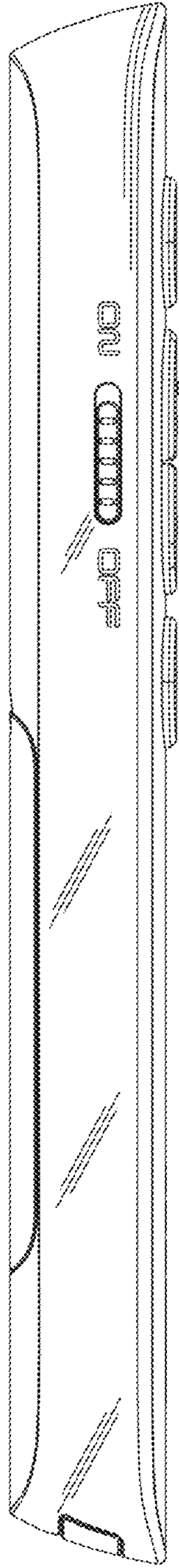


FIG. 3



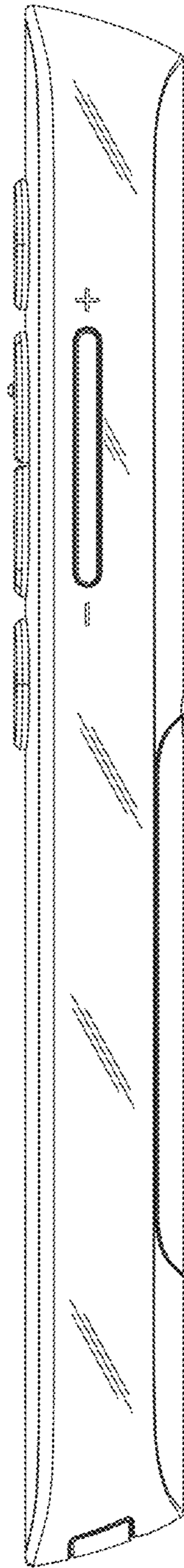


FIG. 4

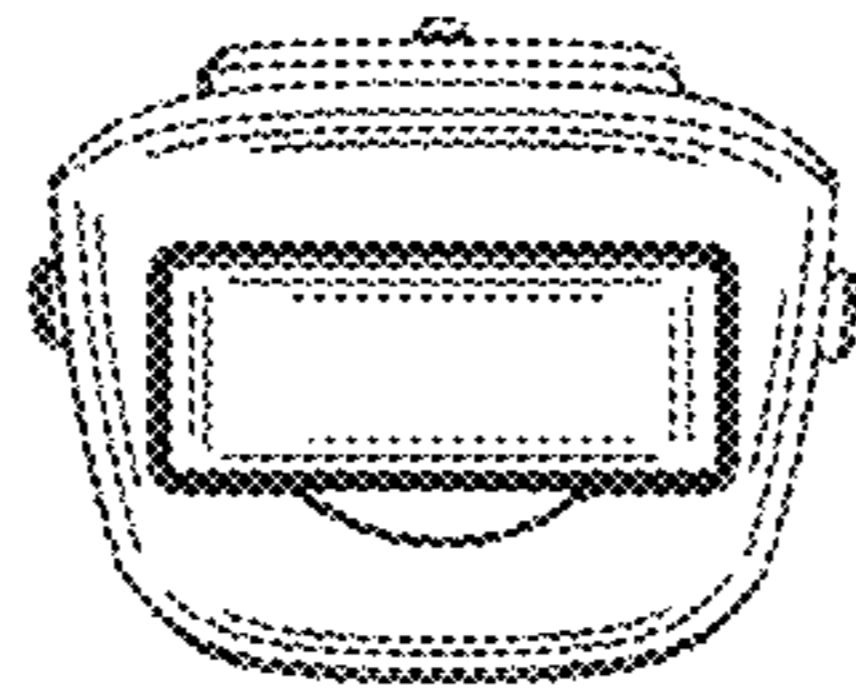


FIG. 5

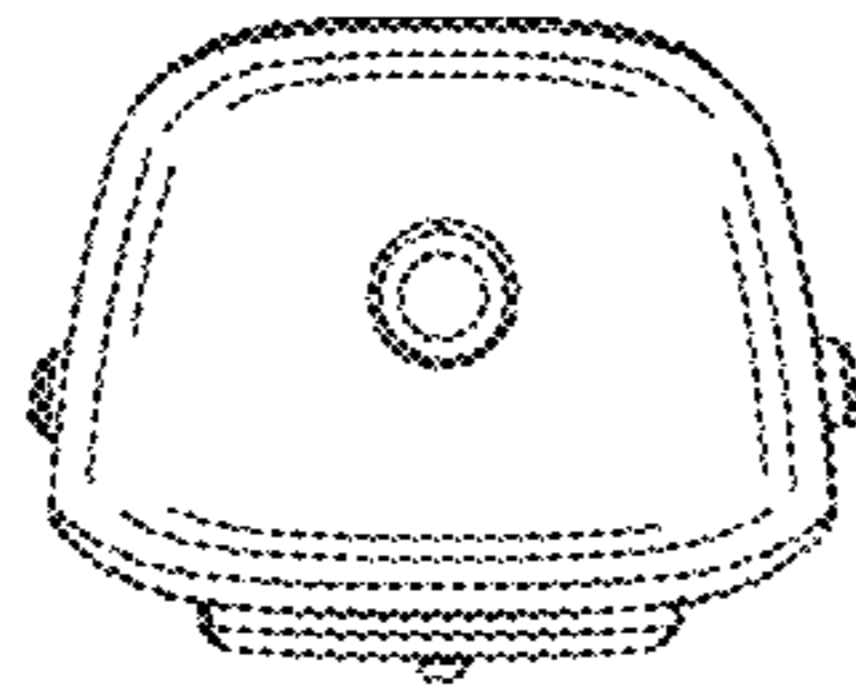


FIG. 6



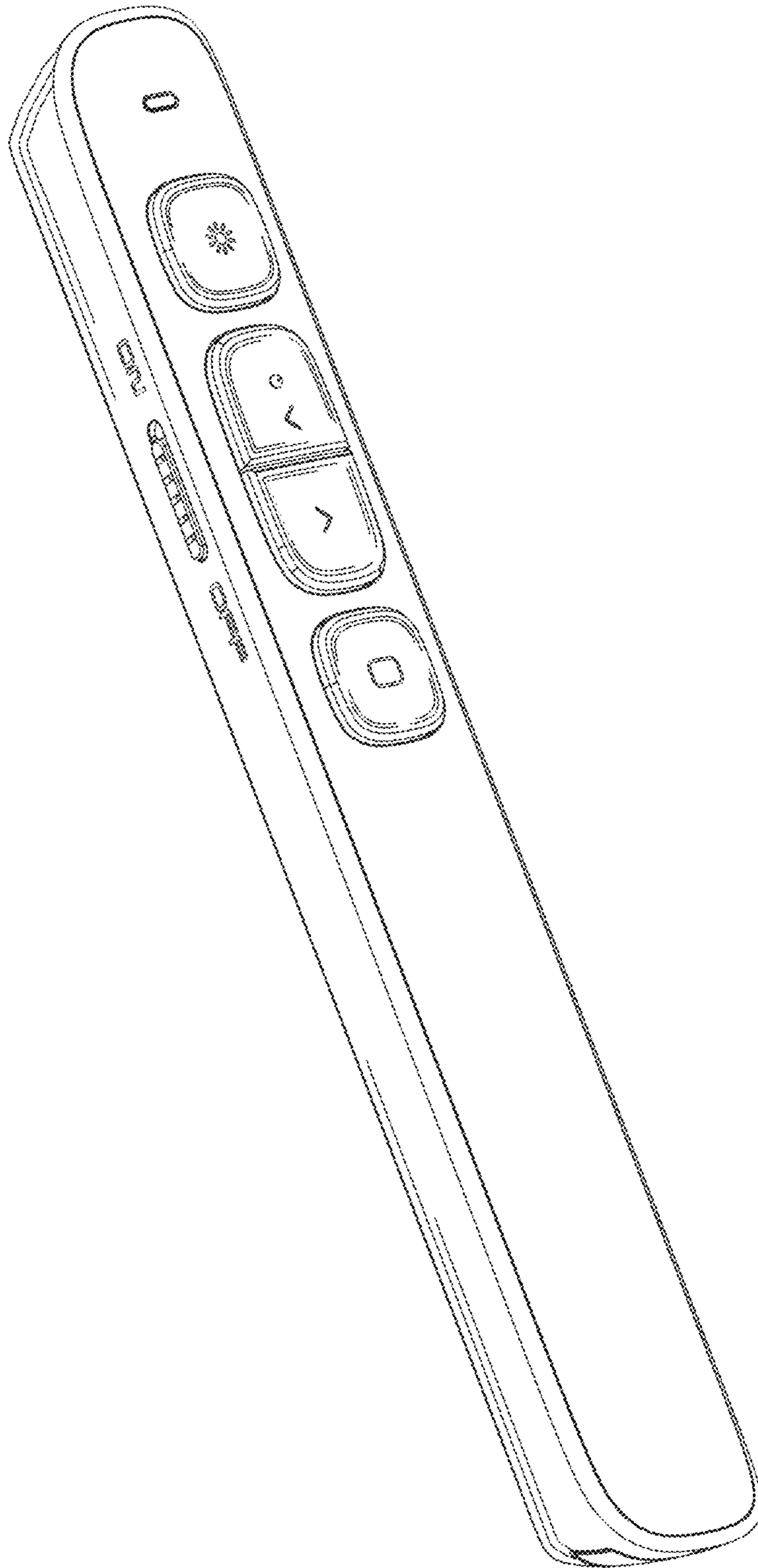


FIG. 7

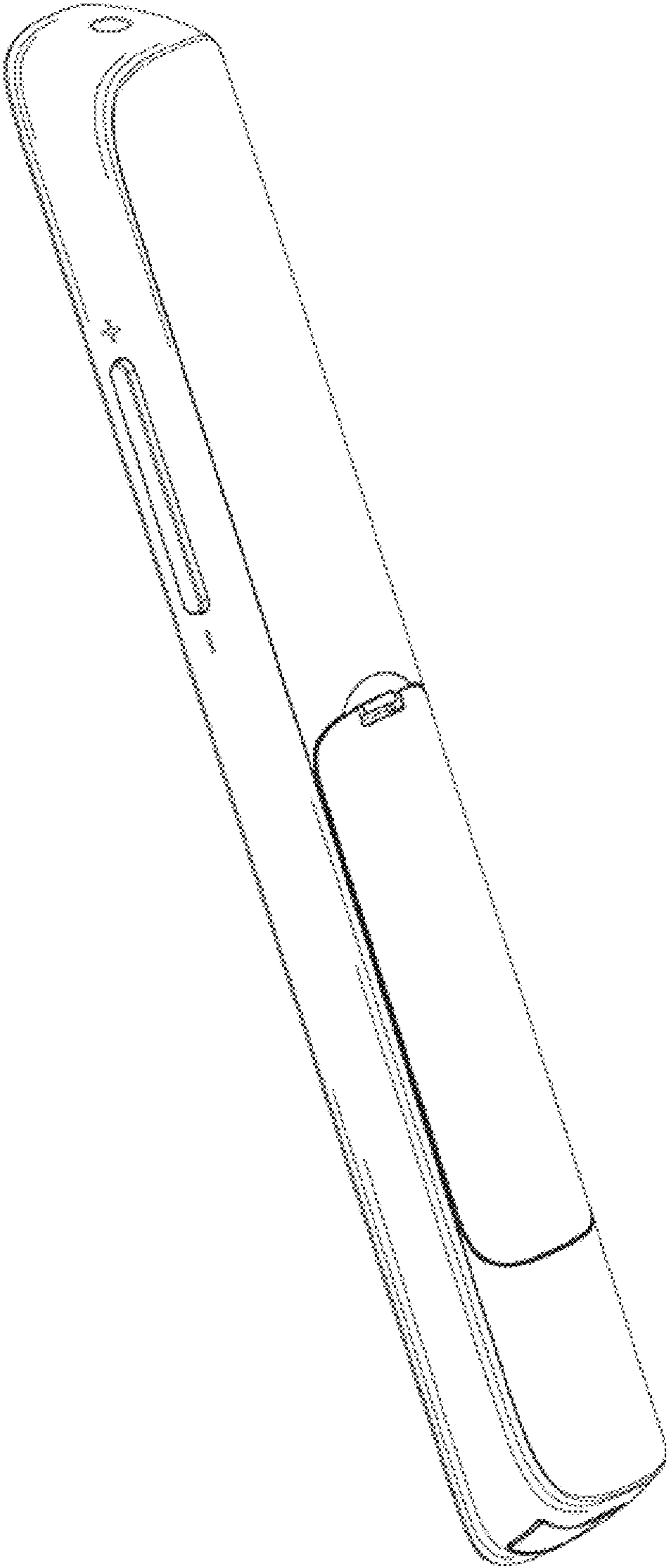


FIG. 8