



US00D901442S

(12) **United States Design Patent** (10) **Patent No.:** **US D901,442 S**  
**Lee et al.** (45) **Date of Patent:** **\*\* Nov. 10, 2020**

(54) **VOICE RECOGNITION DEVICE FOR TELEVISION**

(71) Applicant: **LG Electronics Inc.**, Seoul (KR)

(72) Inventors: **Yongho Lee**, Seoul (KR); **Joe Hyun**, Seoul (KR)

(73) Assignee: **LG ELECTRONICS INC.**, Seoul (KR)

(\*\*) Term: **15 Years**

(21) Appl. No.: **35/507,420**

(22) Filed: **Feb. 27, 2019**

(80) **Hague Agreement Data**

Int. Filing Date: **Feb. 27, 2019**

Int. Reg. No.: **DM/202592**

Int. Reg. Date: **Feb. 27, 2019**

Int. Reg. Pub. Date: **Sep. 13, 2019**

(30) **Foreign Application Priority Data**

Aug. 31, 2018 (KR) ..... 30-2018-0040715

(51) **LOC (12) Cl.** ..... **14-03**

(52) **U.S. Cl.**  
USPC ..... **D14/217**

(58) **Field of Classification Search**

USPC ..... D14/125-134, 217, 307, 314-317, D14/334-336, 339-341, 371, 373-377, D14/448, 450, 138 AD, 138 R, 138 AB, D14/204, 209.1, 210, 215, 216, 225-229; D16/241; D20/19; D21/329, 332, 515, D21/333

CPC ..... G06F 1/16; G06F 1/1601; G06F 1/1637; H04N 5/64; H04N 21/422; H04N 21/4415; H04N 2005/4432; H05K 5/0204; H05K 5/0017; H05K 5/0217; H04R 2420/07; H04R 2430/00; H04R 2430/01; G10L 15/28; G10L 2021/02166; H04M 2201/40

See application file for complete search history.

(56) **References Cited**

U.S. PATENT DOCUMENTS

D573,141 S \* 7/2008 Goto ..... D14/226  
D573,169 S \* 7/2008 Goto ..... D14/226  
D624,049 S \* 9/2010 Liu ..... D14/217

(Continued)

*Primary Examiner* — Michelle E. Wilson

*Assistant Examiner* — Tracey J Bell

(74) *Attorney, Agent, or Firm* — Birch, Stewart, Kolasch & Birch, LLP

(57) **CLAIM**

The ornamental design for a voice recognition device for television, as shown and described.

**DESCRIPTION**

1. Voice recognition device for television

1.1 : Perspective

1.2 : Front

1.3 : Back

1.4 : Left

1.5 : Right

1.6 : Top

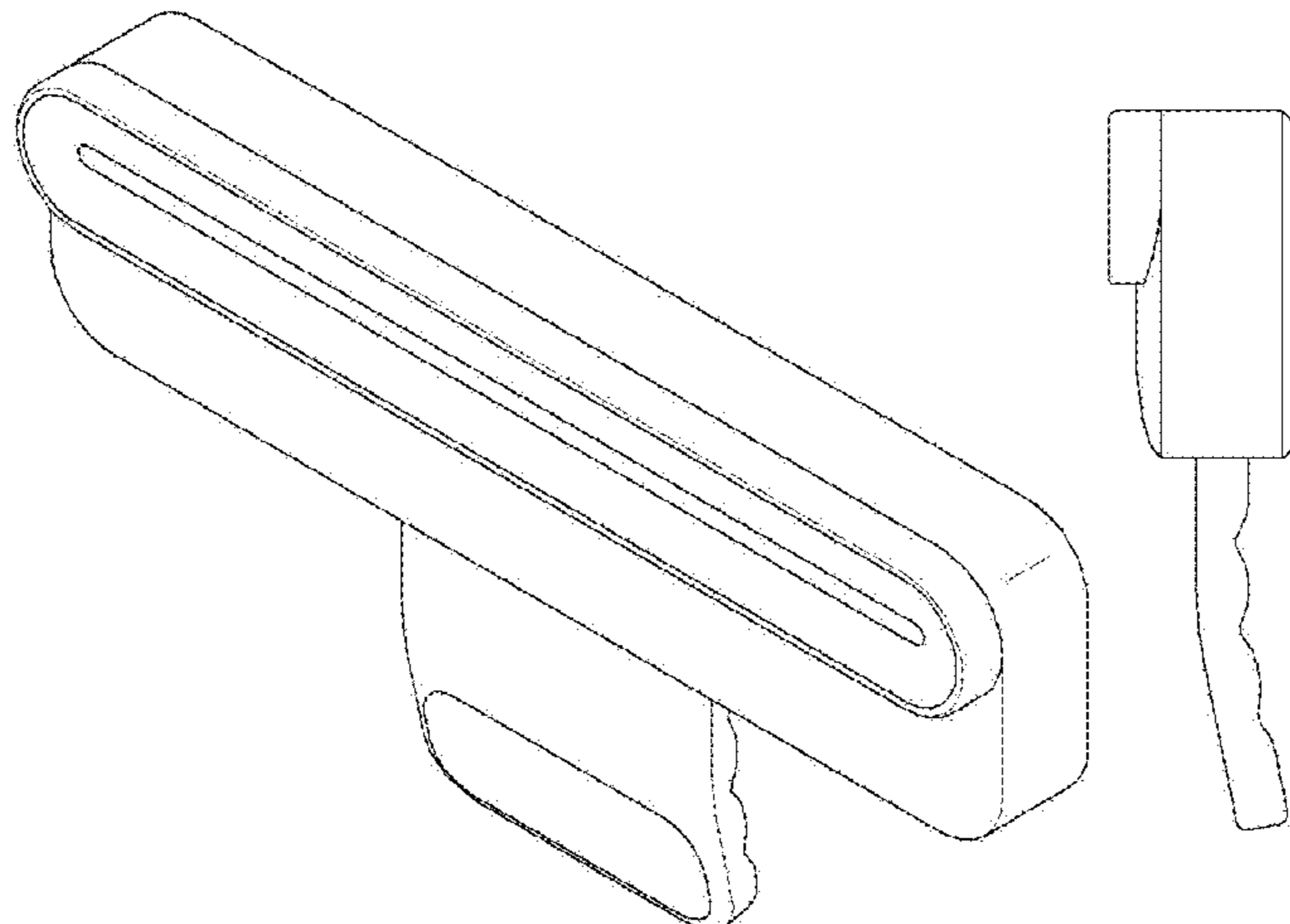
1.7 : Bottom

1.8 : Perspective view

1.9 : Right view

The broken lines depict portions of a voice recognition device for television and environmental subject matter that form no part of the claimed design; reproduction 1.1 is a front perspective view of the voice recognition device for television; reproduction 1.2 is a front view thereof; reproduction 1.3 is a back view thereof; reproduction 1.4 is a left view thereof; reproduction 1.5 is a right view thereof; reproduction 1.6 is a top view thereof; reproduction 1.7 is a bottom view thereof; reproduction 1.8 is a perspective view showing the claimed design in a state of use; reproduction 1.9 is a right view of reproduction 1.8.

**1 Claim, 9 Drawing Sheets**



(56)

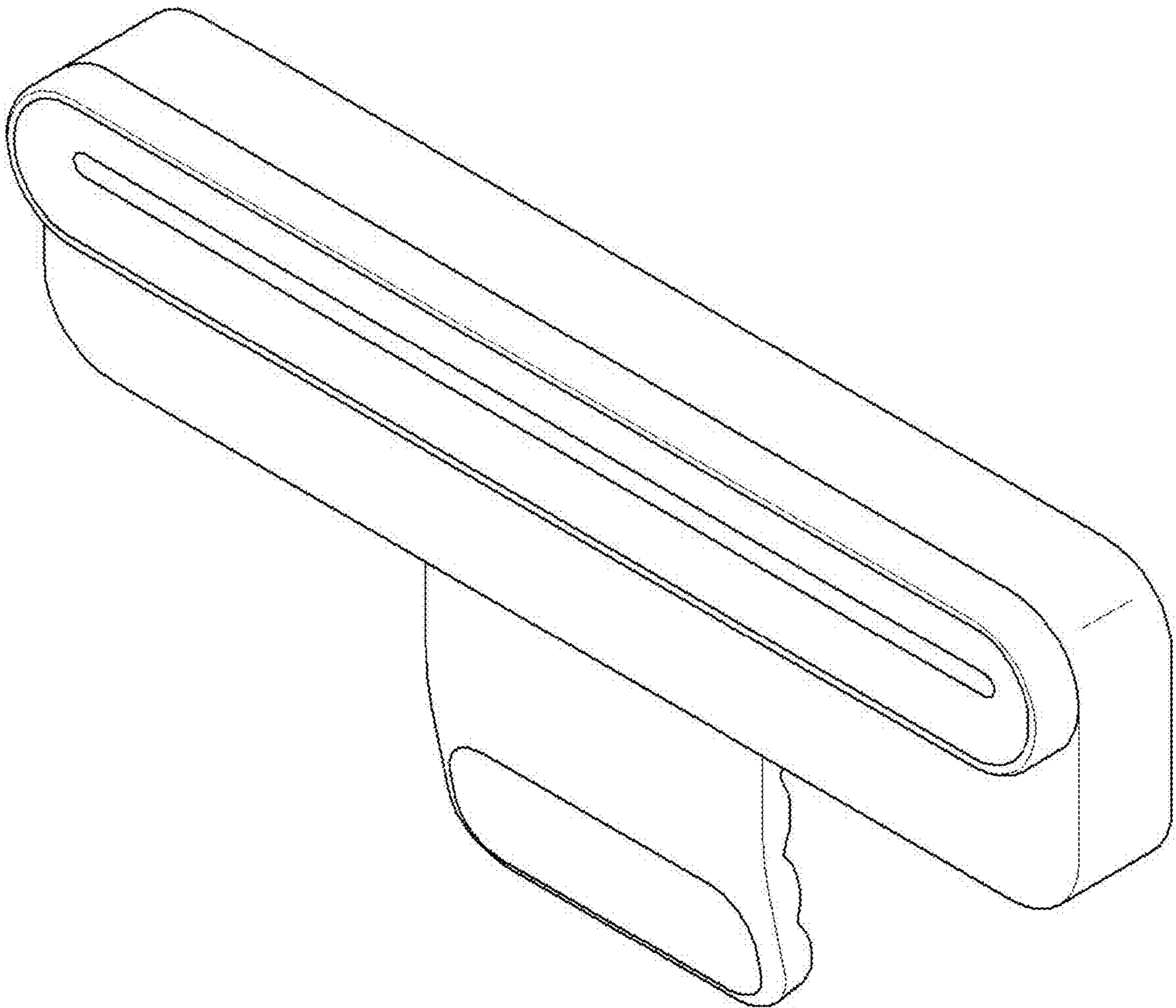
**References Cited**

U.S. PATENT DOCUMENTS

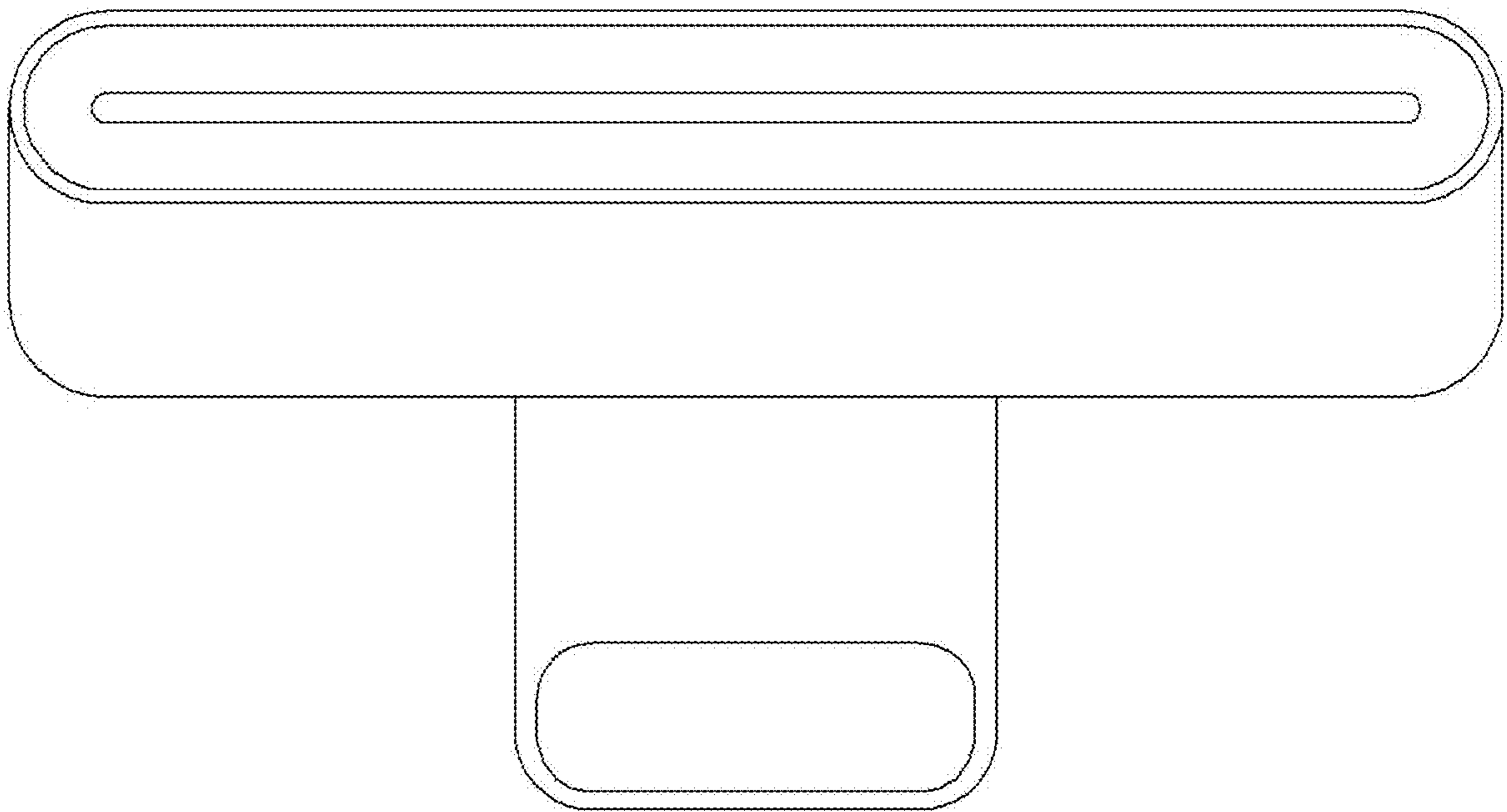
D643,456 S *	8/2011	Won .....	D16/218
D674,430 S *	1/2013	Inoue .....	D16/218
D680,569 S *	4/2013	Lee .....	D16/202
D729,801 S *	5/2015	Daniel .....	D14/307
D786,842 S *	5/2017	Lee .....	D14/126
D819,602 S *	6/2018	Won .....	D14/216
D836,576 S *	12/2018	Kim .....	D14/125
D837,172 S *	1/2019	Haugen .....	D14/126
D852,774 S *	7/2019	Sugiura .....	D14/204
D853,356 S *	7/2019	Werle .....	D14/216

\* cited by examiner

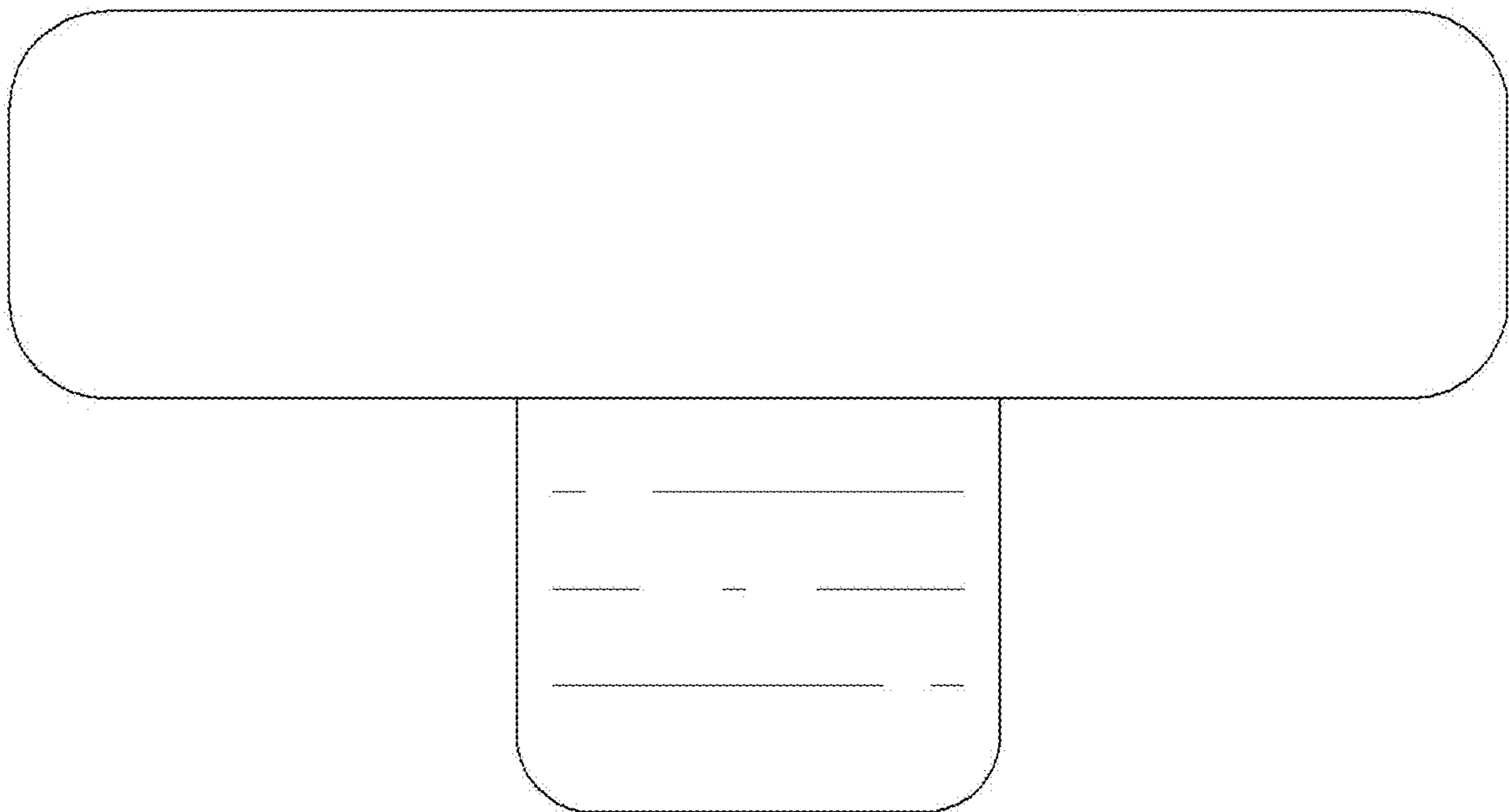
1.1



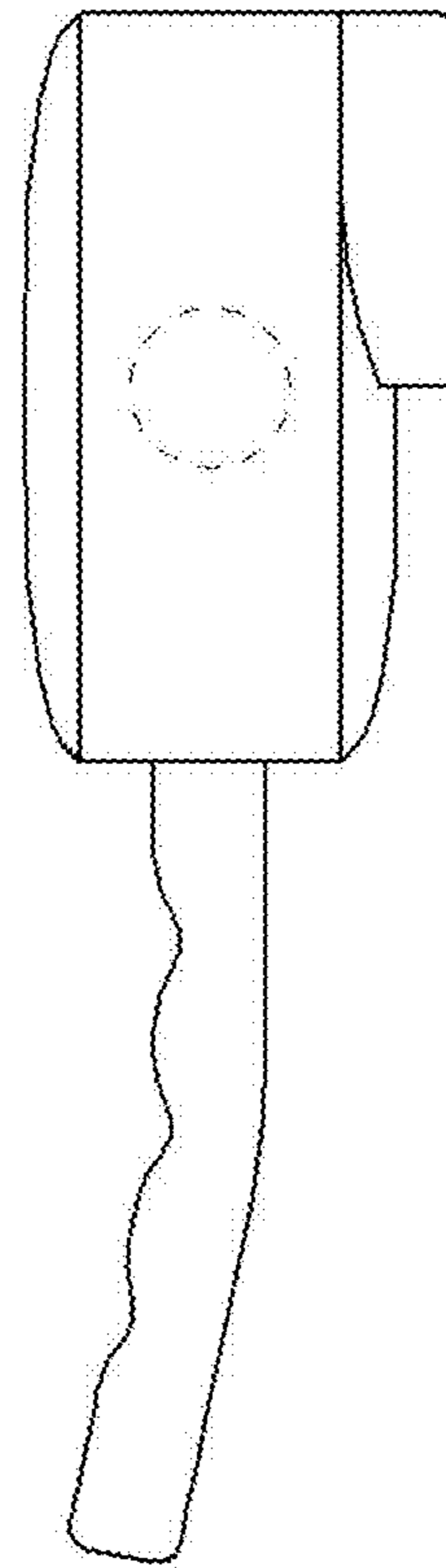
1.2



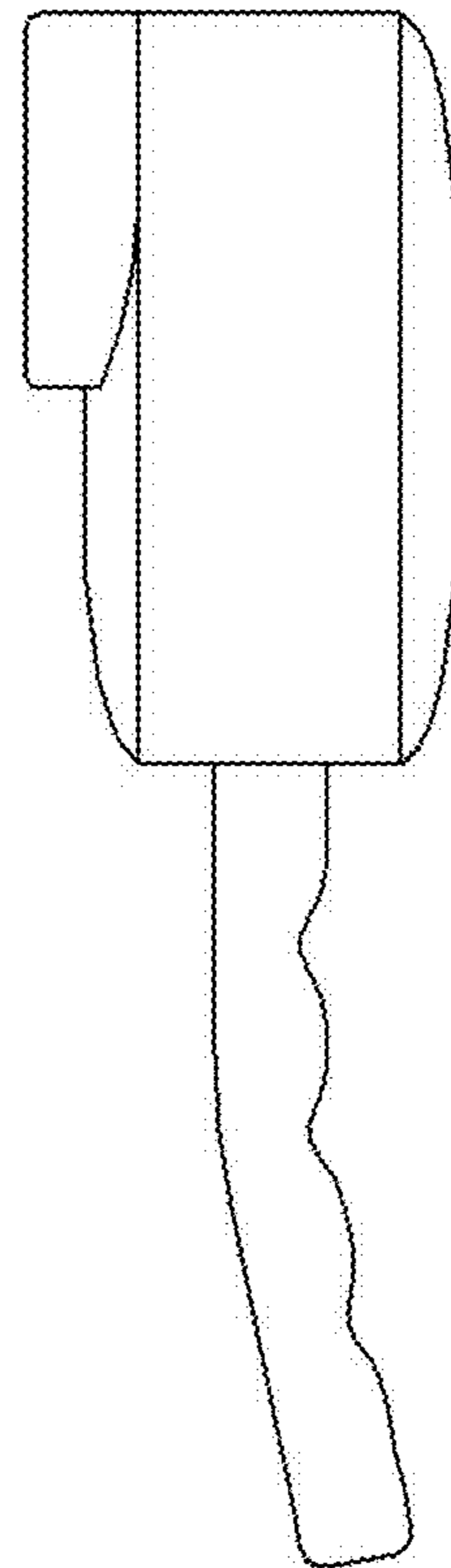
1.3



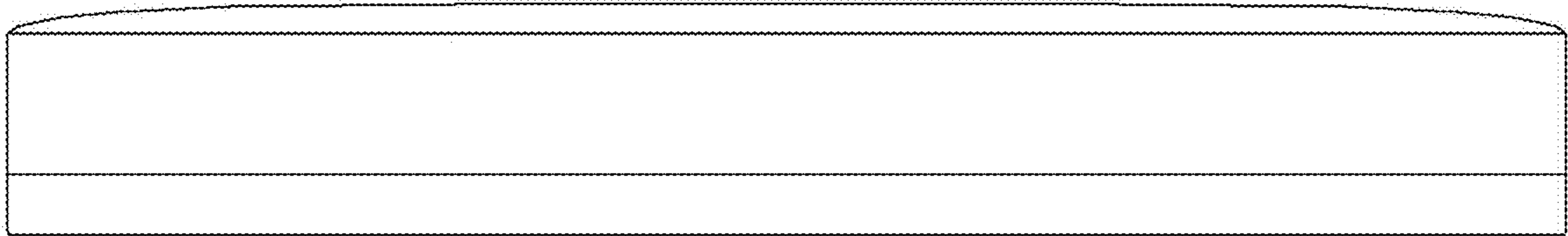
1.4



1.5

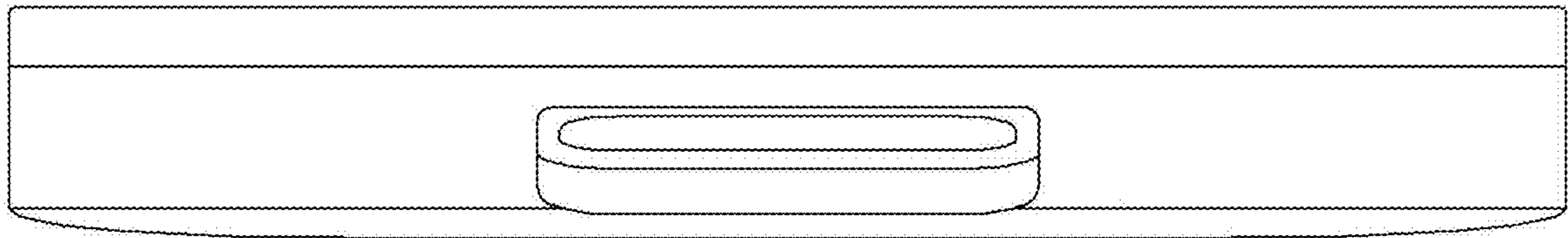


1.6

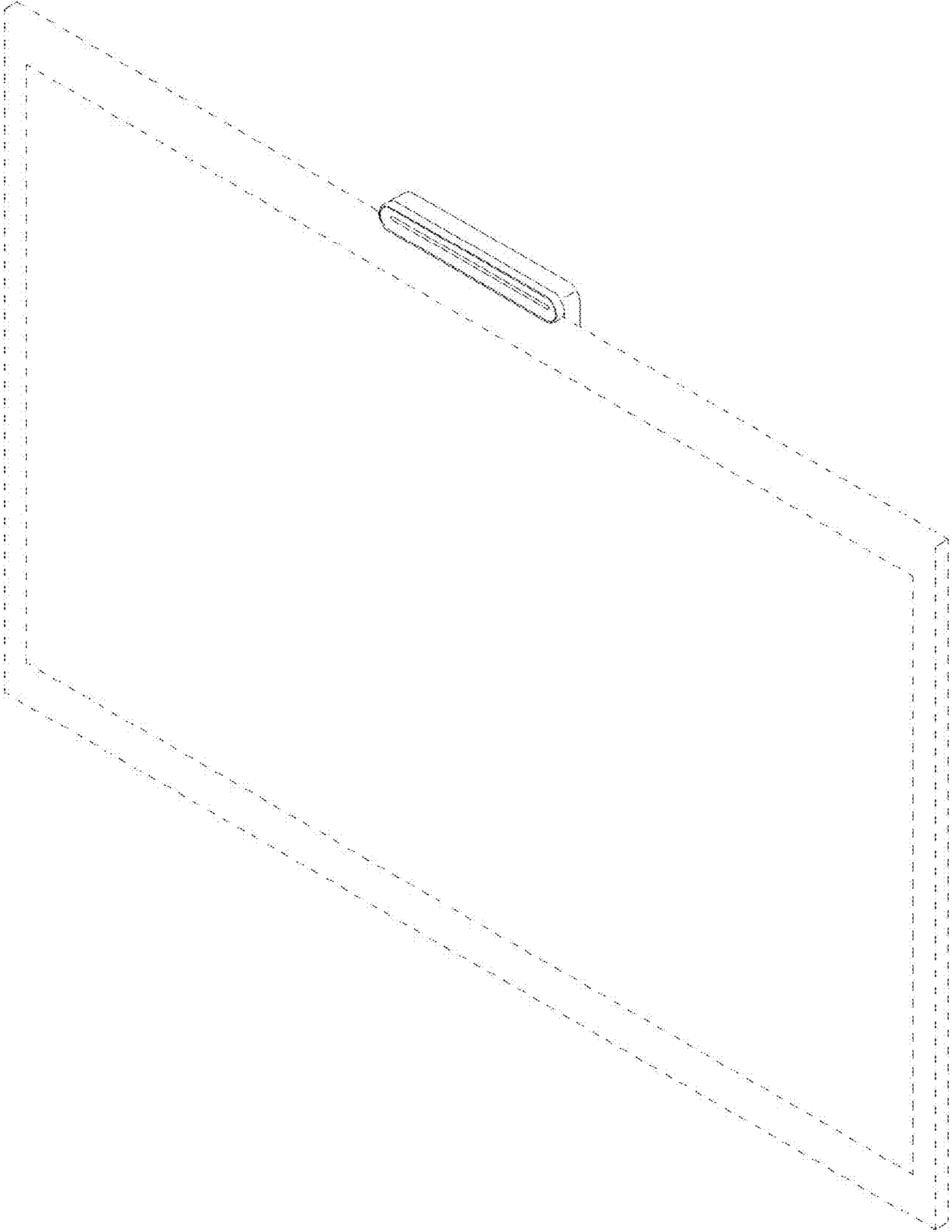




1.7



1.8



1.9

