

US00D901440S

(12) **United States Design Patent** (10) **Patent No.:** **US D901,440 S**
Nauroy (45) **Date of Patent:** **** Nov. 10, 2020**

(54) **SPEAKER**

(71) Applicant: **Design Pool Limited**, Wanchai (HK)
(72) Inventor: **Fabien Malcolm Nauroy**, Hong Kong (HK)
(73) Assignee: **DESIGN POOL LIMITED**, Wanchai (HK)
(**) Term: **15 Years**
(21) Appl. No.: **29/655,648**
(22) Filed: **Jul. 5, 2018**
(30) **Foreign Application Priority Data**

Jan. 10, 2018 (HK) 1800040.4

(51) **LOC (12) Cl.** **14-01**
(52) **U.S. Cl.**
USPC **D14/214**

(58) **Field of Classification Search**
USPC D14/167, 168, 170-172, 188, 194-196,
D14/204, 209.1, 210-216, 219, 221, 222,
D14/224, 239, 496
CPC B60R 11/0217; G06F 1/1688; G10K 9/22;
G10K 11/004; H03F 1/327; H04M 1/03;
H04M 1/035; H04N 5/642; H04N
21/4852; H04R 1/02; H04R 1/06; H04R
1/021; H04R 1/025; H04R 1/026; H04R
1/028; H04R 1/105; H04R 1/323; H04R
1/403; H04R 1/2803; H04R 1/2834;
H04R 5/02; H04R 7/20; H04R 9/06;
H04R 9/025; H04R 2201/021; H04R
2400/00; H04R 2201/07; H04R 2499/11;
H04R 2499/13; H04R 2499/15; H04S
3/00; H04S 7/30

See application file for complete search history.

(56) **References Cited**

U.S. PATENT DOCUMENTS

D538,769 S *	3/2007	Nemoto	D14/499
D598,906 S *	8/2009	Chiba	D14/240
D620,918 S *	8/2010	Tomono	D14/132
D627,244 S *	11/2010	Nakane	D10/65
D683,326 S *	5/2013	Sanlville	D14/157
D724,048 S *	3/2015	Tomono	D14/131
D724,049 S *	3/2015	Funayama	D14/131
D747,697 S *	1/2016	Wildner	D14/215

* cited by examiner

Primary Examiner — Keli L Hill

(74) *Attorney, Agent, or Firm* — JCIP; Joseph G. Chu;
Jeremy I. Maynard

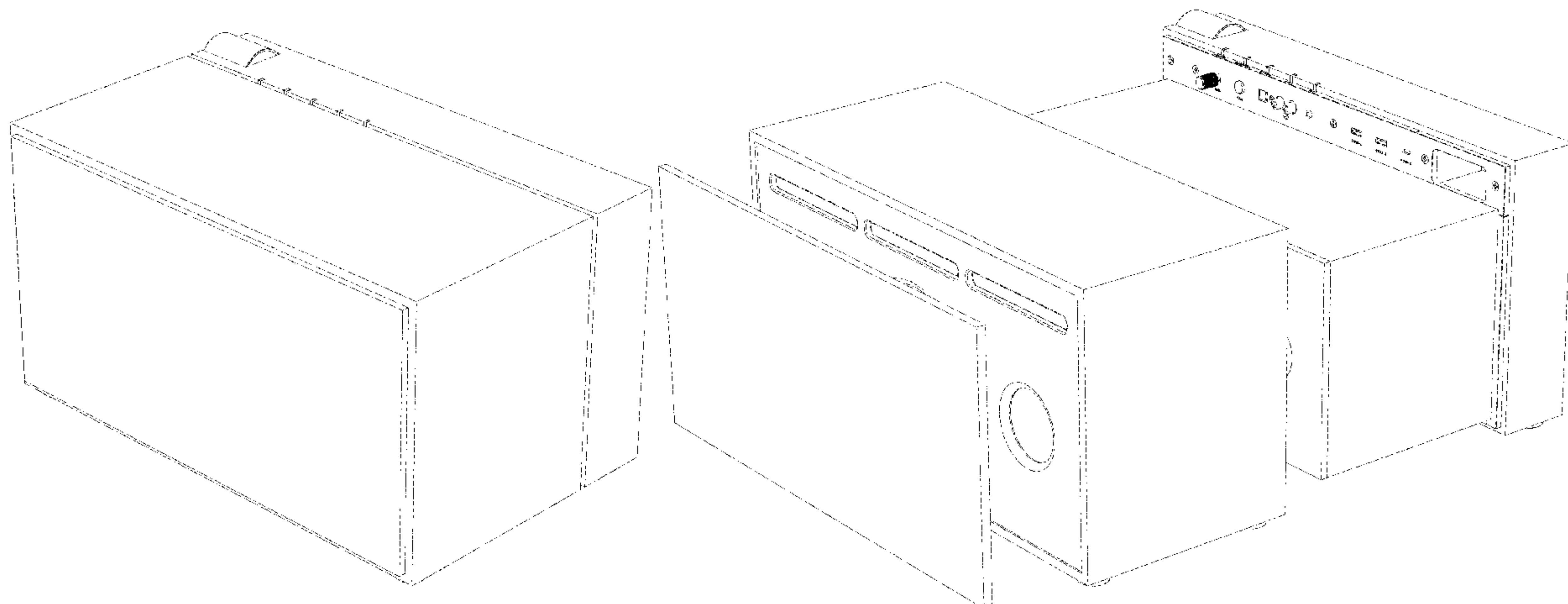
(57) **CLAIM**

I claim the ornamental design for the speaker, as shown and described.

DESCRIPTION

FIG. 1 is a front view of a speaker;
FIG. 2 is a back view of the speaker;
FIG. 3 is a top view of the speaker;
FIG. 4 is a bottom view of the speaker;
FIG. 5 is a left side view of the speaker;
FIG. 6 is a right side view of the speaker;
FIG. 7 is a perspective view of the speaker;
FIG. 8 is a perspective view of the speaker in an alternative position; and,
FIG. 9 is an exploded perspective view of the speaker.

1 Claim, 9 Drawing Sheets



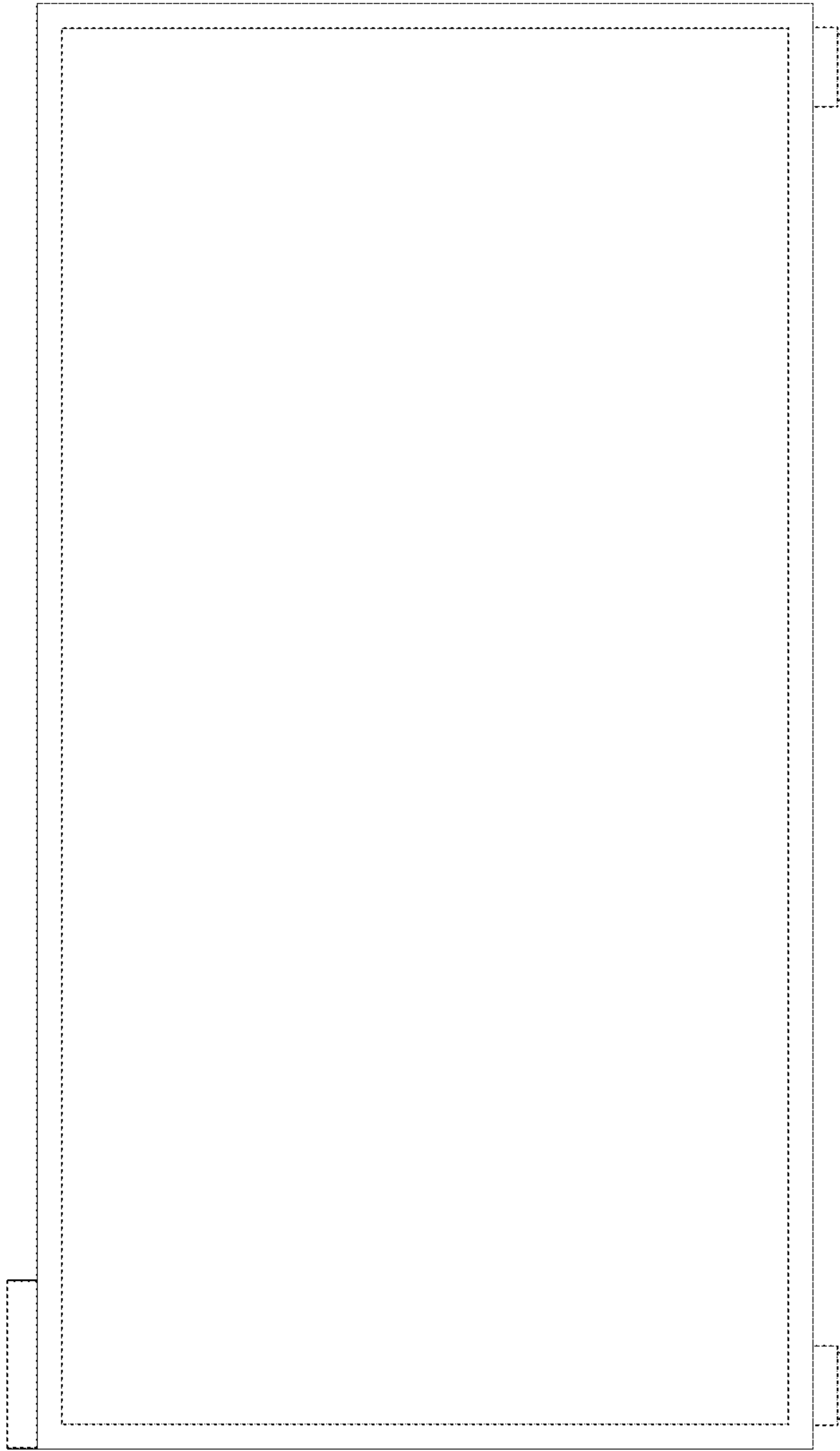


FIG. 1

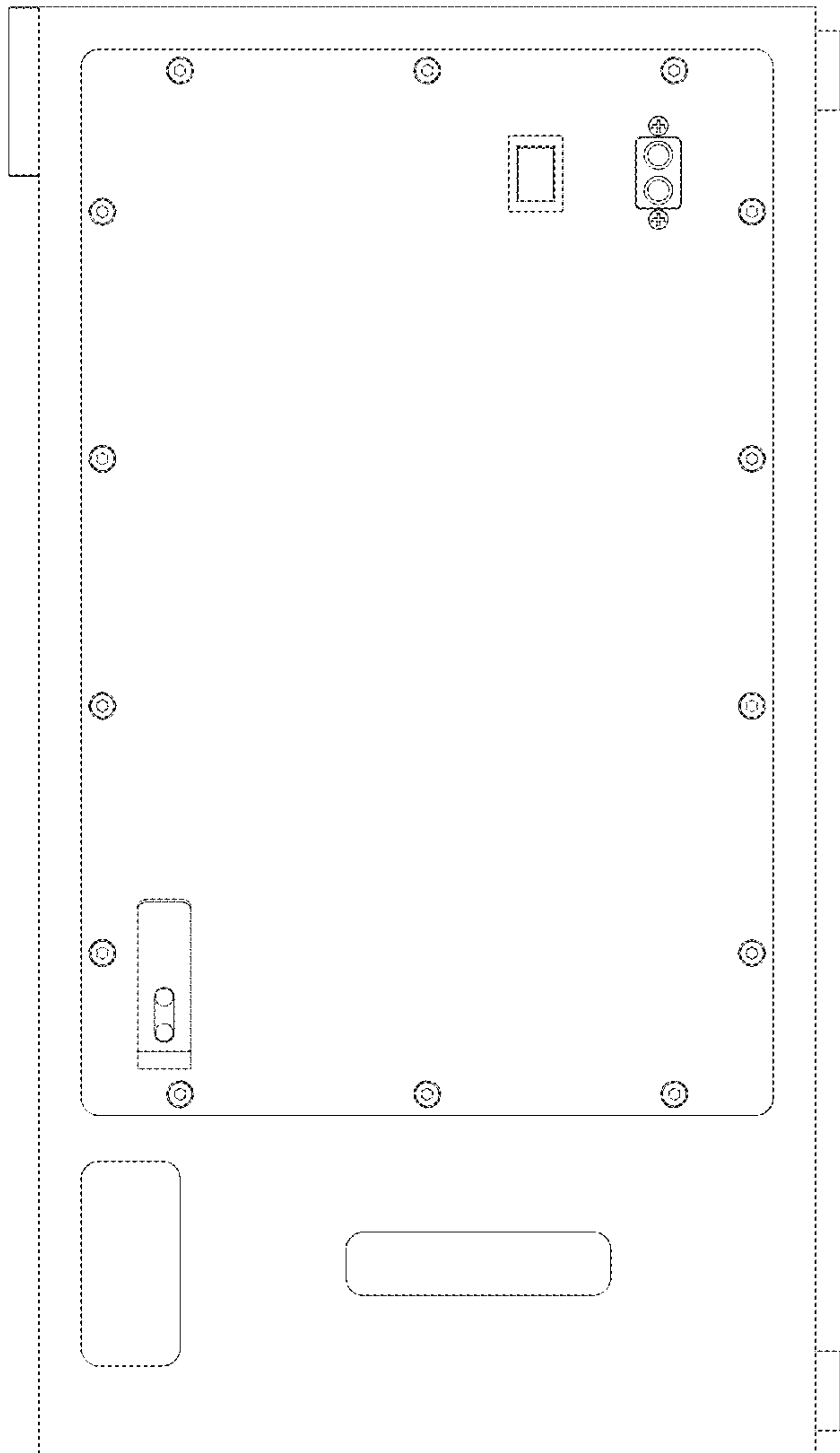


FIG. 2

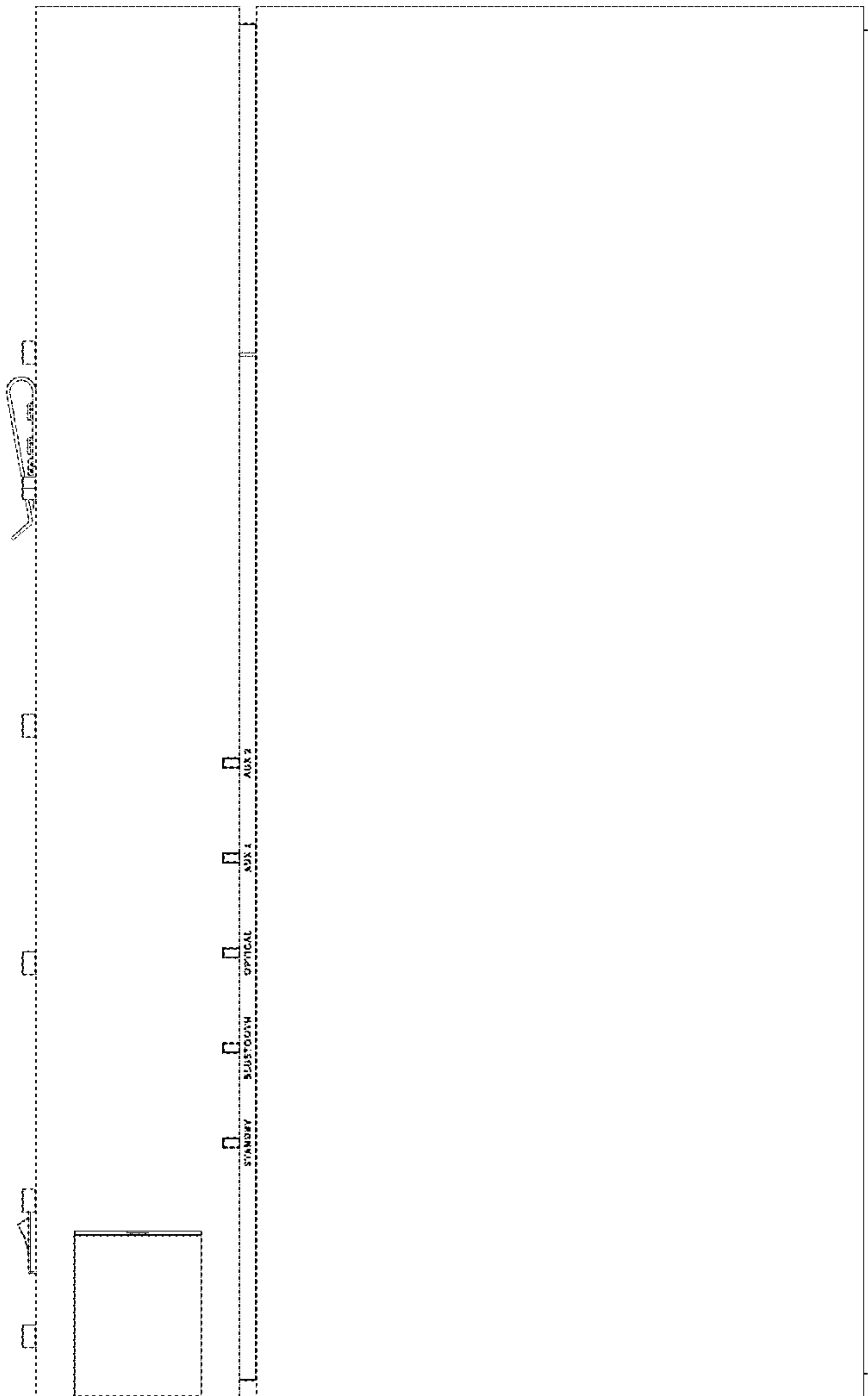


FIG. 3

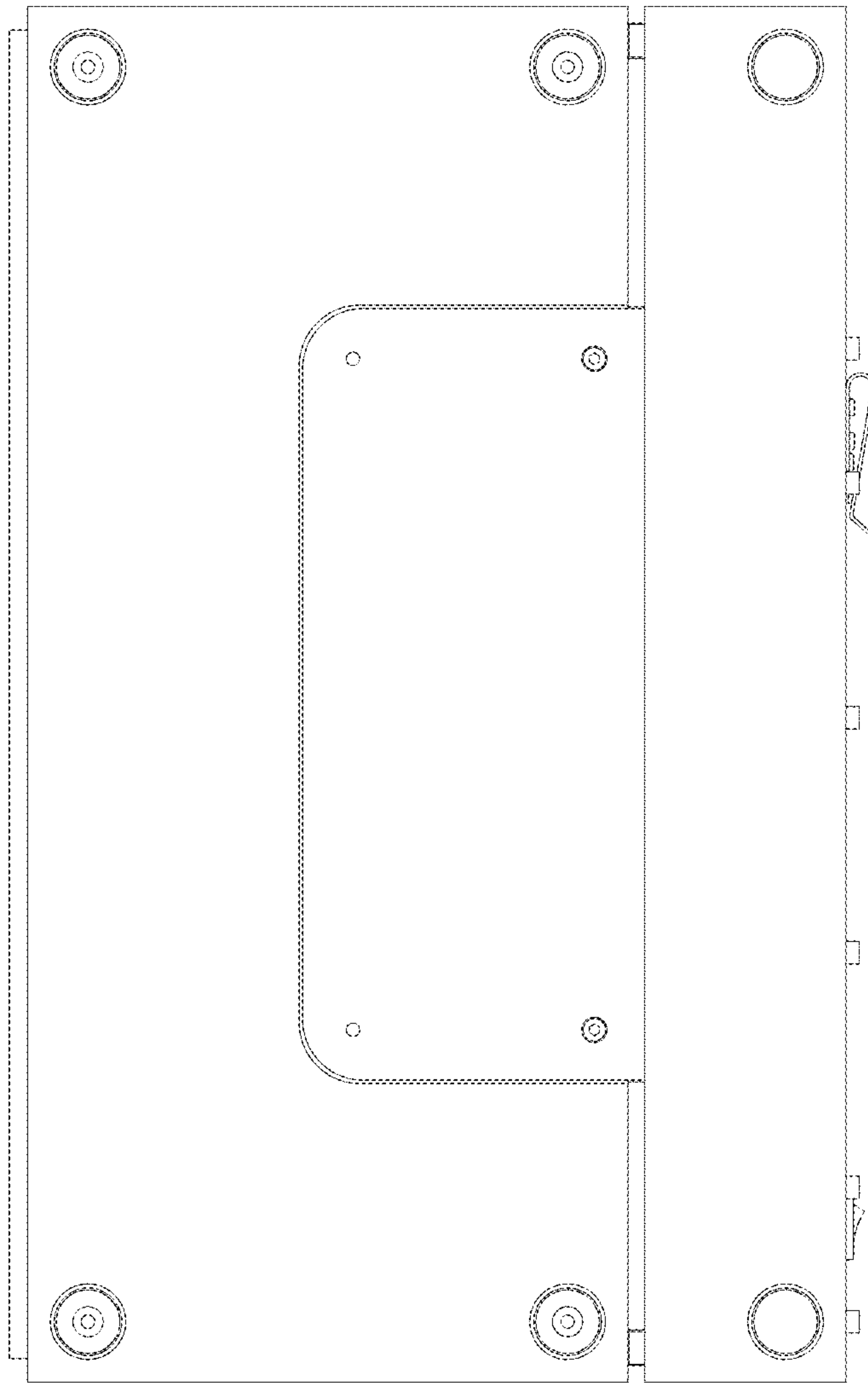


FIG. 4

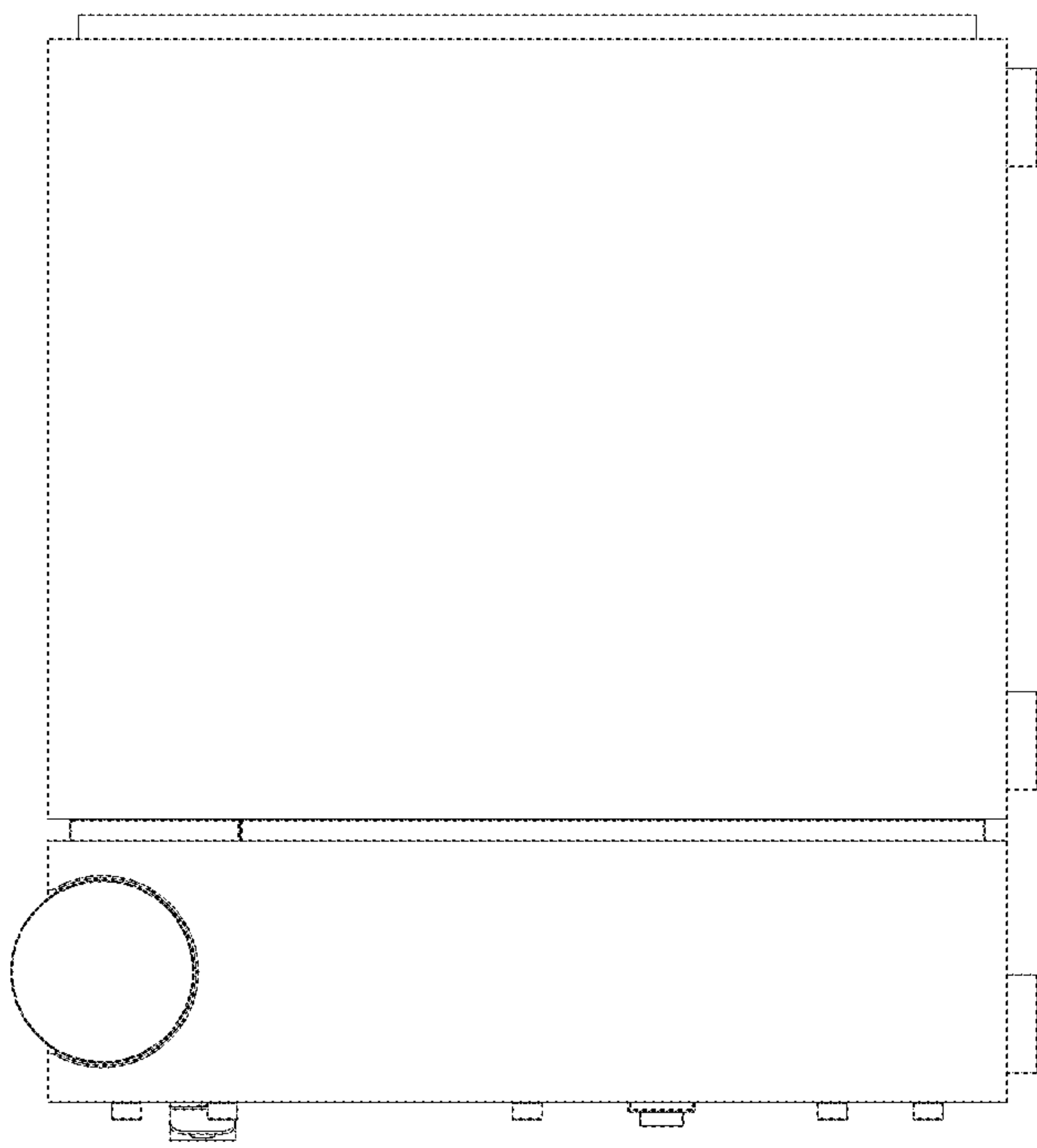


FIG. 5

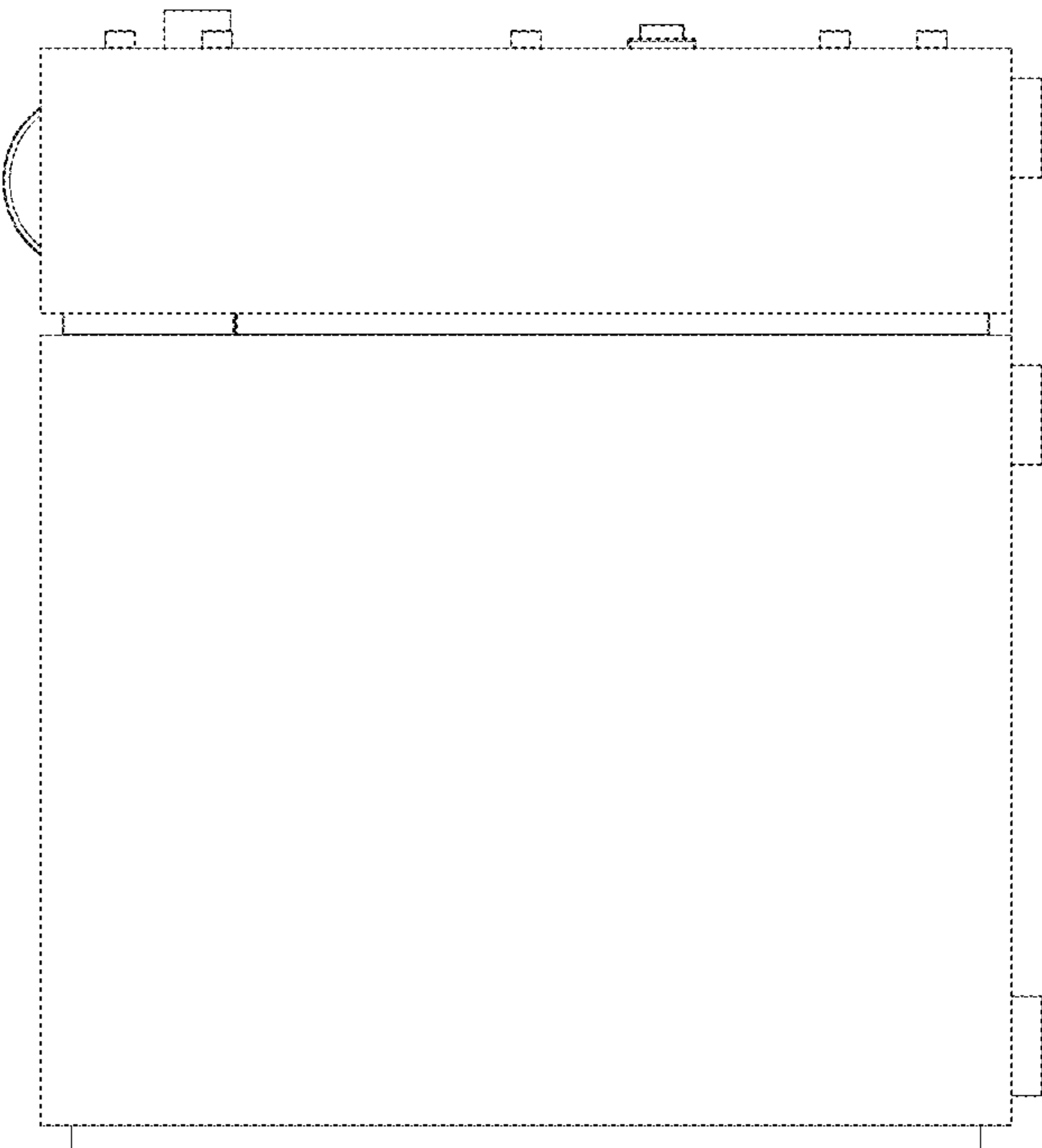


FIG. 6

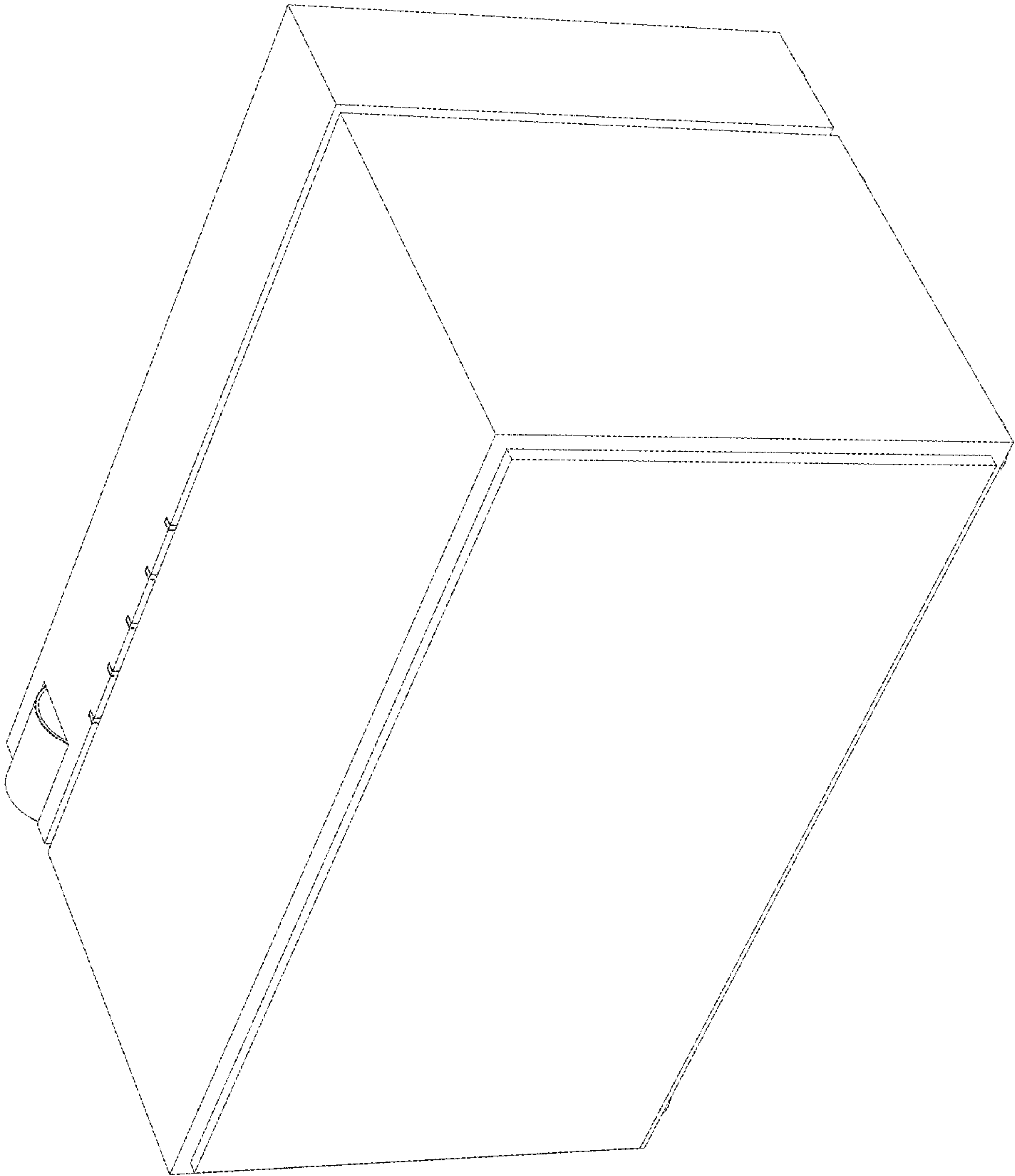


FIG. 7

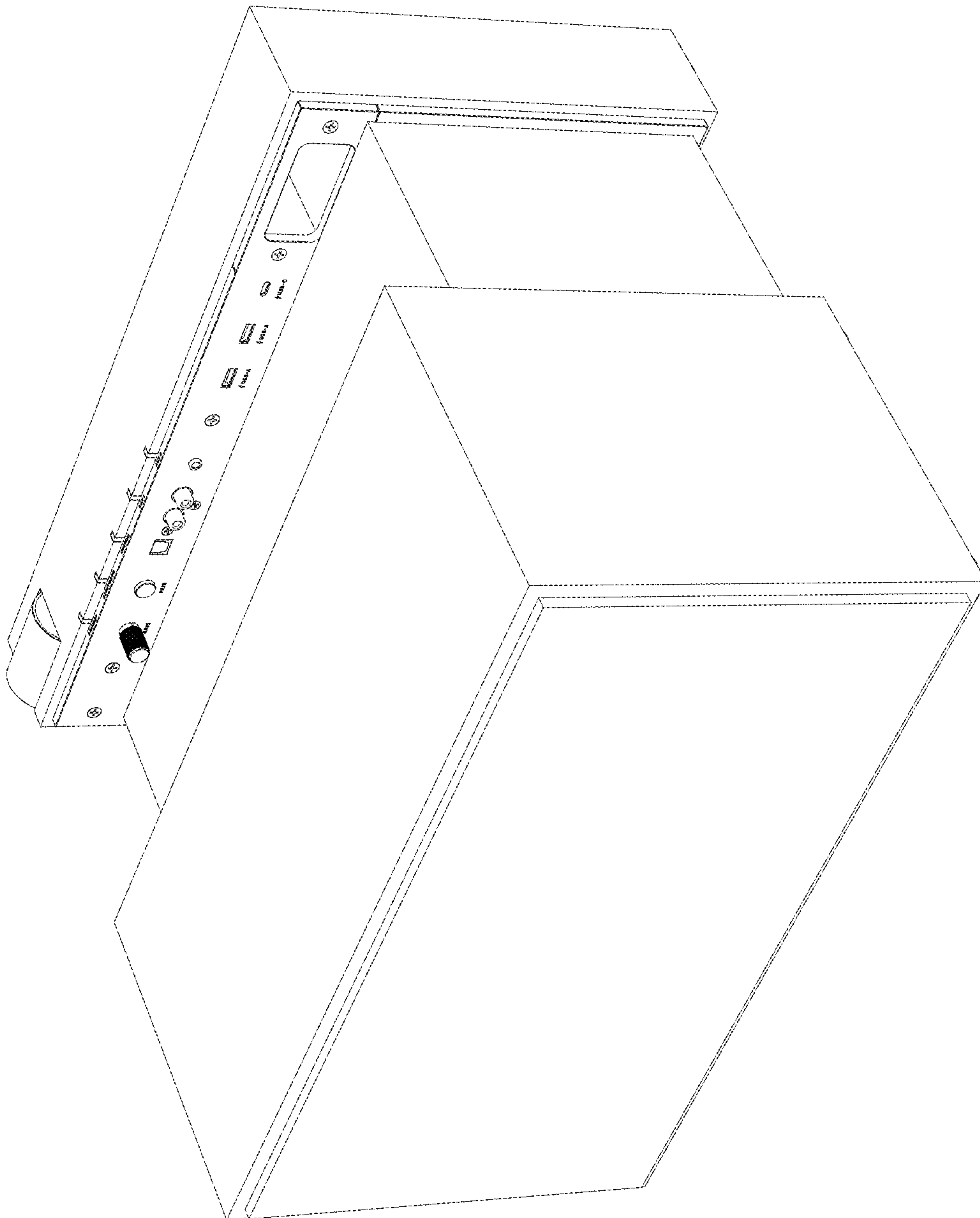


FIG. 8

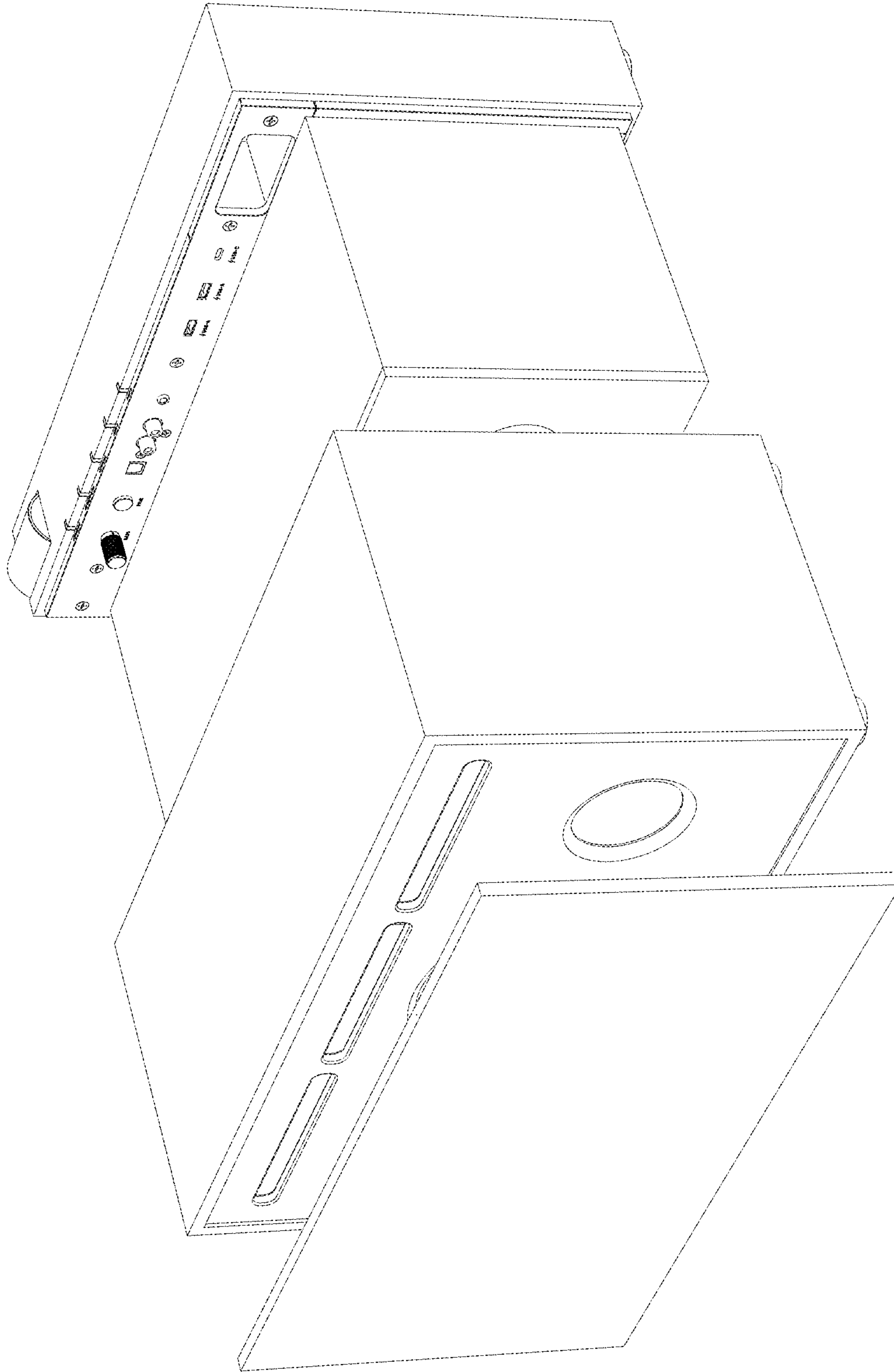


FIG. 9