



US00D901439S

(12) **United States Design Patent**  
**Chen**

(10) **Patent No.:** **US D901,439 S**

(45) **Date of Patent:** **\*\* Nov. 10, 2020**

(54) **HEADSET**

(71) Applicant: **Guihua Chen**, Shenzhen (CN)

(72) Inventor: **Guihua Chen**, Shenzhen (CN)

(\*\*) Term: **15 Years**

(21) Appl. No.: **29/689,195**

(22) Filed: **Apr. 28, 2019**

(51) **LOC (12) Cl.** ..... **14-01**

(52) **U.S. Cl.**  
USPC ..... **D14/206**; D14/226

(58) **Field of Classification Search**  
USPC ..... D14/206, 226, 205, 225, 188, 192, 372;  
381/380, 381, 374; 455/90.3, 575.1,  
455/569.1; 345/7, 8  
CPC .... H04R 25/00; H04R 1/1066; H04R 1/1016;  
H04R 5/033; H04R 5/0335; H04R  
1/1091; H04R 1/1058; H04R 1/08; H04R  
1/1083; H04R 19/04

See application file for complete search history.

(56) **References Cited**

**U.S. PATENT DOCUMENTS**

3,488,457	A	*	1/1970	Lahti	.....	H04R 1/1008
						381/371
D233,444	S	*	10/1974	Christian	.....	D14/206
D254,183	S	*	2/1980	Doodson	.....	D14/205
D299,337	S	*	1/1989	Wiegel	.....	D14/206
D302,429	S	*	7/1989	Leer	.....	D14/137
D395,894	S	*	7/1998	Hern	.....	D14/227
D404,035	S	*	1/1999	Delazzer	.....	D14/205
D447,472	S	*	9/2001	McGugan	.....	D14/225
D449,040	S	*	10/2001	Weikel	.....	D14/227
D457,155	S	*	5/2002	Skulley	.....	D14/206
D497,357	S	*	10/2004	Allum	.....	D14/206
D505,413	S	*	5/2005	Skulley	.....	D14/223
D508,483	S	*	8/2005	Suzuki	.....	D14/205

D514,087	S	*	1/2006	Wilson	.....	D14/206
D517,527	S	*	3/2006	Suzuki	.....	D14/205
D517,528	S	*	3/2006	Skulley	.....	D14/206
D518,479	S	*	4/2006	Skulley	.....	D14/225
D531,165	S	*	10/2006	Rath	.....	D14/206
D540,303	S	*	4/2007	Rausch	.....	D14/205
D549,688	S	*	8/2007	Suzuki	.....	D14/205
D589,492	S	*	3/2009	Mistry	.....	D14/205
D600,674	S	*	9/2009	Brennwald	.....	D14/205
D604,266	S	*	11/2009	Milde	.....	D14/205
D641,727	S	*	7/2011	Krauss	.....	D14/206
D662,490	S	*	6/2012	McSweyn	.....	D14/205
D666,993	S	*	9/2012	Kelley	.....	D14/205
D672,745	S	*	12/2012	Abed	.....	D14/205
D673,522	S	*	1/2013	Iijima	.....	D14/205

(Continued)

*Primary Examiner* — Paula Allen Greene

(74) *Attorney, Agent, or Firm* — Law Offices of Steven W. Weinrieb

(57) **CLAIM**

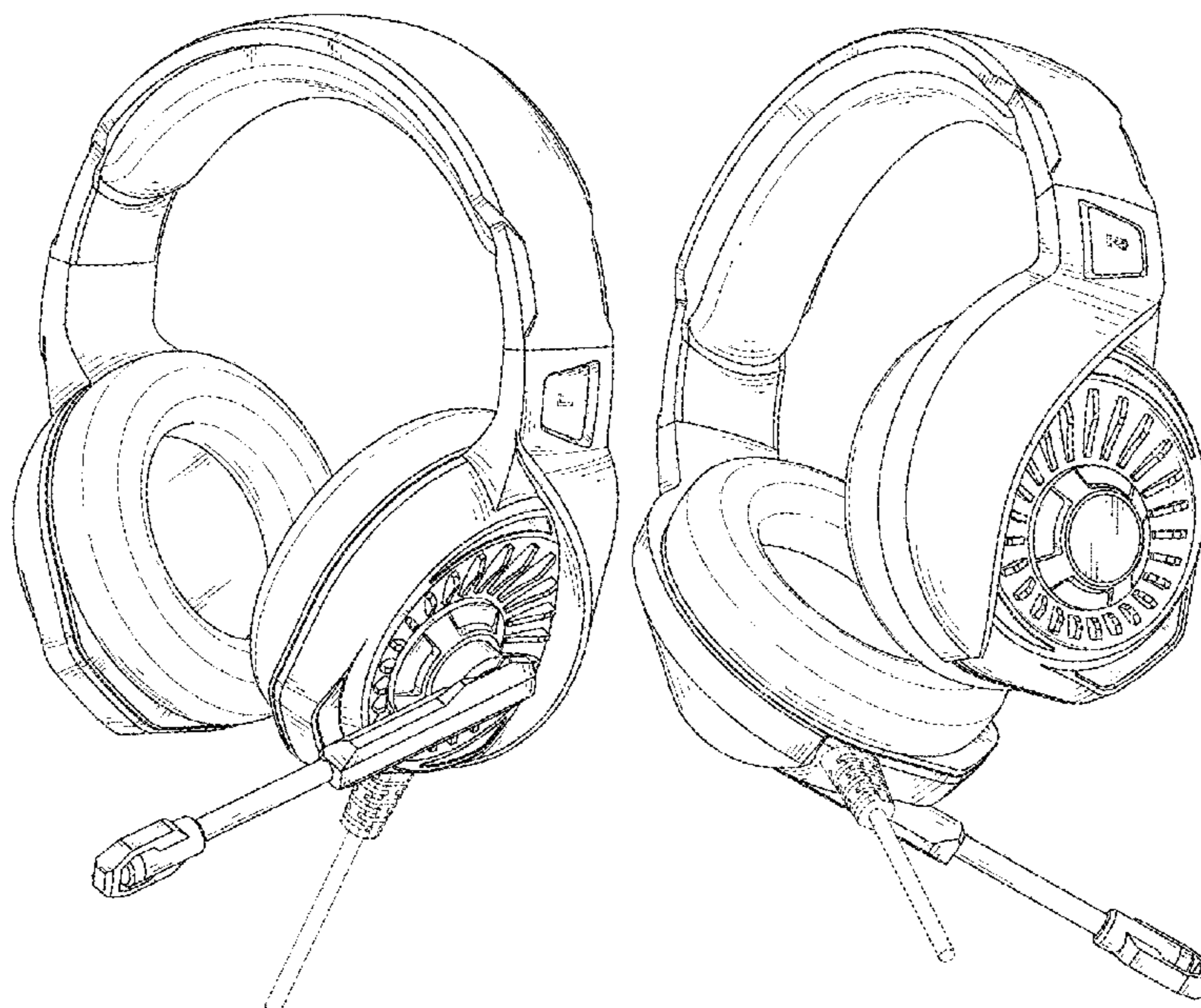
The ornamental design for a headset, as shown and described.

**DESCRIPTION**

FIG. 1 is a front, left side, top perspective view of the headset showing my new design;  
FIG. 2 is a rear, right side, bottom perspective view thereof;  
FIG. 3 is a front elevational view thereof;  
FIG. 4 is a rear elevational view thereof;  
FIG. 5 is a right side elevational view thereof;  
FIG. 6 is a left side elevational view thereof;  
FIG. 7 is a top plan view thereof; and,  
FIG. 8 is a bottom plan view thereof.

The broken lines immediately adjacent to the claimed portions are boundaries, all other broken lines are environmental structures; all broken lines are for illustrative purposes only and form no part of the claimed design.

**1 Claim, 8 Drawing Sheets**



(56)

## References Cited

## U.S. PATENT DOCUMENTS

8,443,467 B2 \* 5/2013 Chiang ..... A61F 11/06  
2/209  
D690,284 S \* 9/2013 Brennwald ..... D14/205  
D723,508 S \* 3/2015 Garland ..... D14/205  
D724,561 S \* 3/2015 Ko ..... D14/205  
9,036,849 B2 \* 5/2015 Thompson ..... H04R 1/083  
381/375  
D741,286 S \* 10/2015 Brennwald ..... D14/205  
D745,859 S \* 12/2015 Kiuchi ..... D14/205  
D769,219 S \* 10/2016 Ohmachi ..... D14/205  
D788,071 S \* 5/2017 Logan ..... D14/205  
D808,359 S \* 1/2018 Meyer ..... D14/205  
D815,614 S \* 4/2018 Tzeng ..... D14/205  
D824,360 S \* 7/2018 Hsieh ..... D14/205  
D843,349 S \* 3/2019 Burgess ..... D14/206  
D845,927 S \* 4/2019 Wang ..... D14/206  
D851,064 S \* 6/2019 Wang ..... D14/206  
D856,967 S \* 8/2019 Tang ..... D14/206  
D856,969 S \* 8/2019 Tang ..... D14/206  
D856,970 S \* 8/2019 Tang ..... D14/206  
D856,971 S \* 8/2019 Tang ..... D14/206  
D864,903 S \* 10/2019 Liu ..... D14/206  
D866,515 S \* 11/2019 Long ..... D14/206  
D868,734 S \* 12/2019 Wang ..... D14/206  
D870,696 S \* 12/2019 Deng ..... D14/206  
D870,698 S \* 12/2019 Long ..... D14/206  
D876,392 S \* 2/2020 Zhou ..... D14/206  
D877,116 S \* 3/2020 Liu ..... D14/206  
D883,950 S \* 5/2020 Liu ..... D14/206  
2011/0194721 A1 \* 8/2011 Schmidt ..... H04M 1/05  
381/370  
2017/0064436 A1 \* 3/2017 Tamura ..... H04R 1/1066

\* cited by examiner

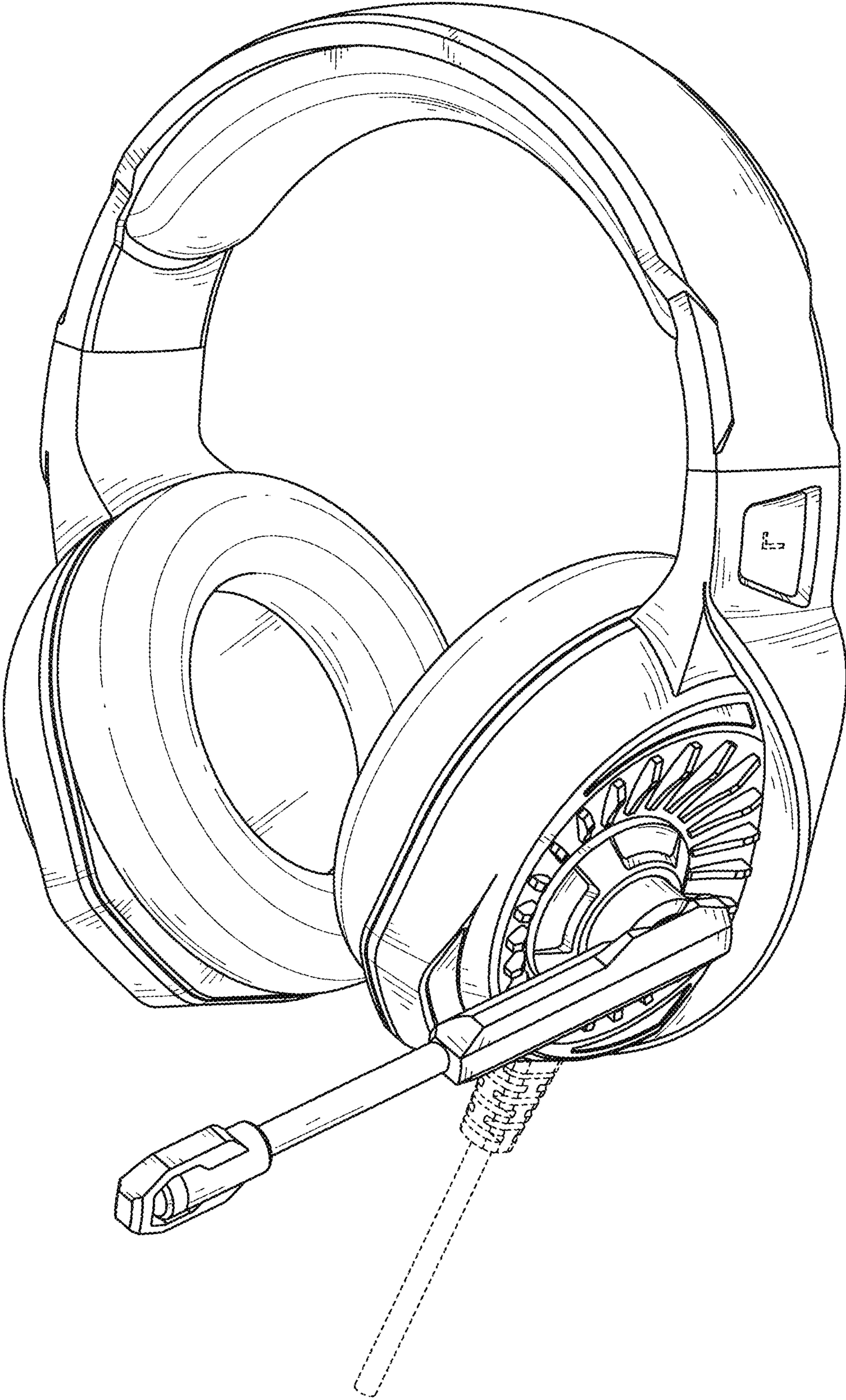


FIG. 1

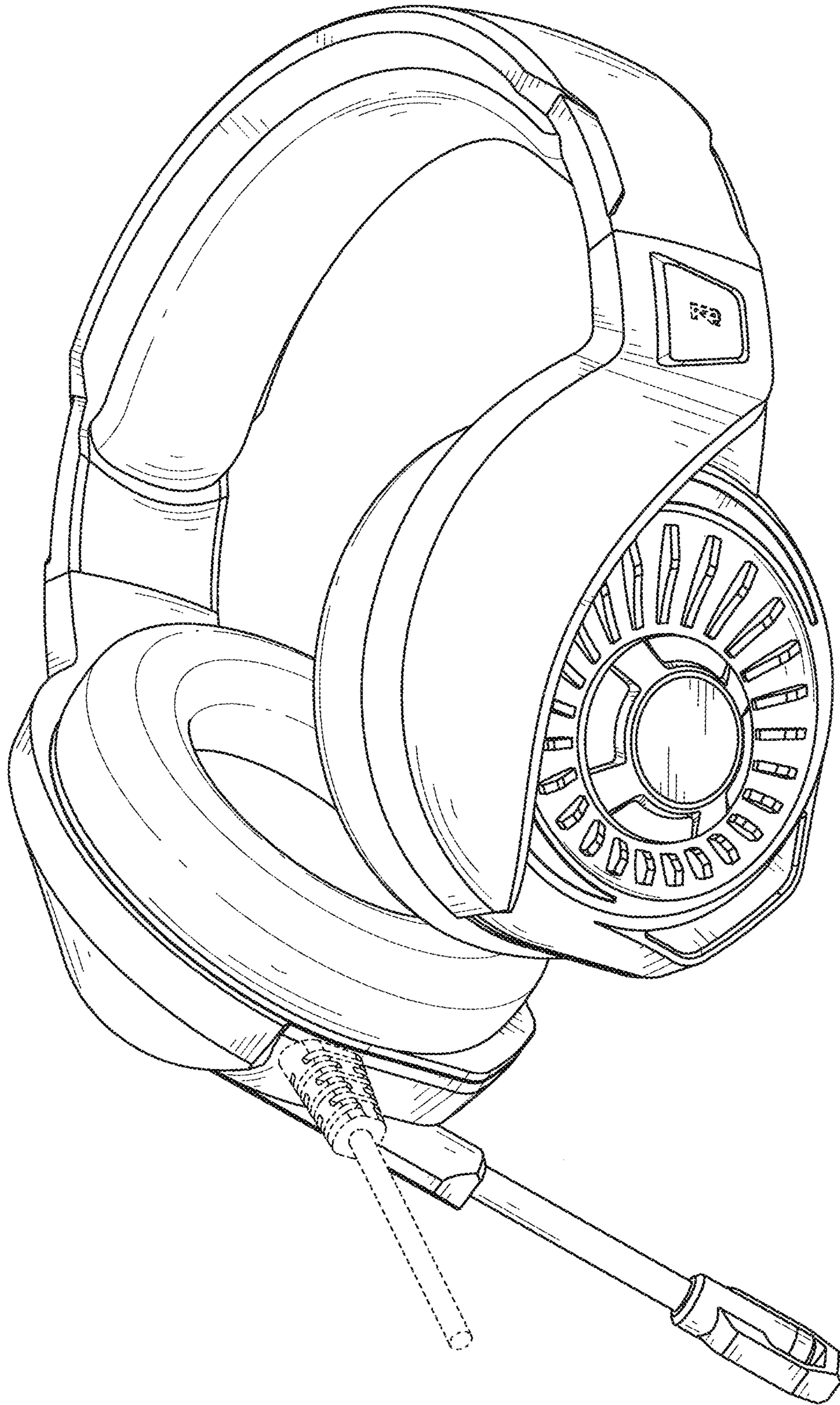


FIG. 2



FIG. 3

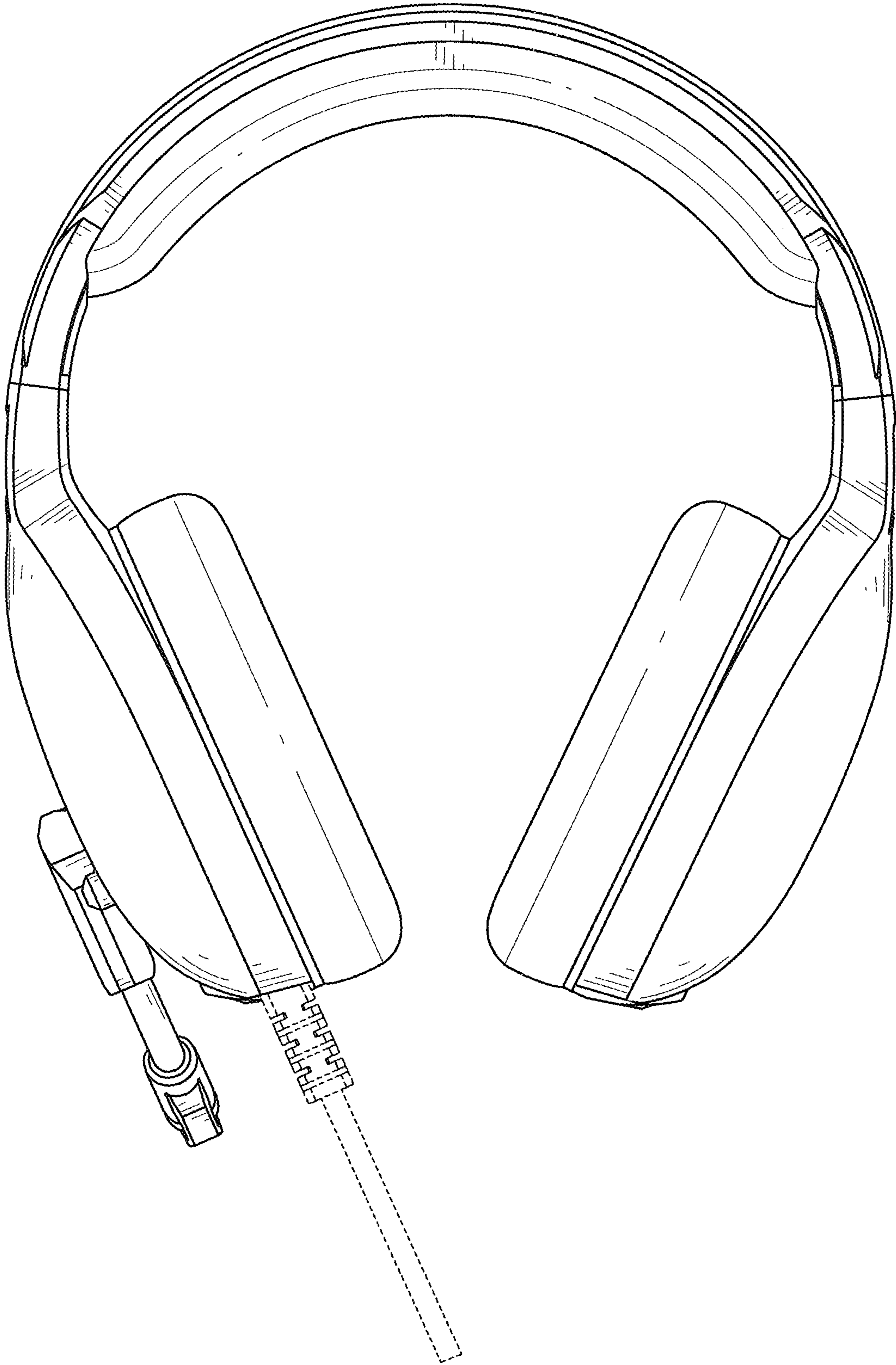


FIG. 4

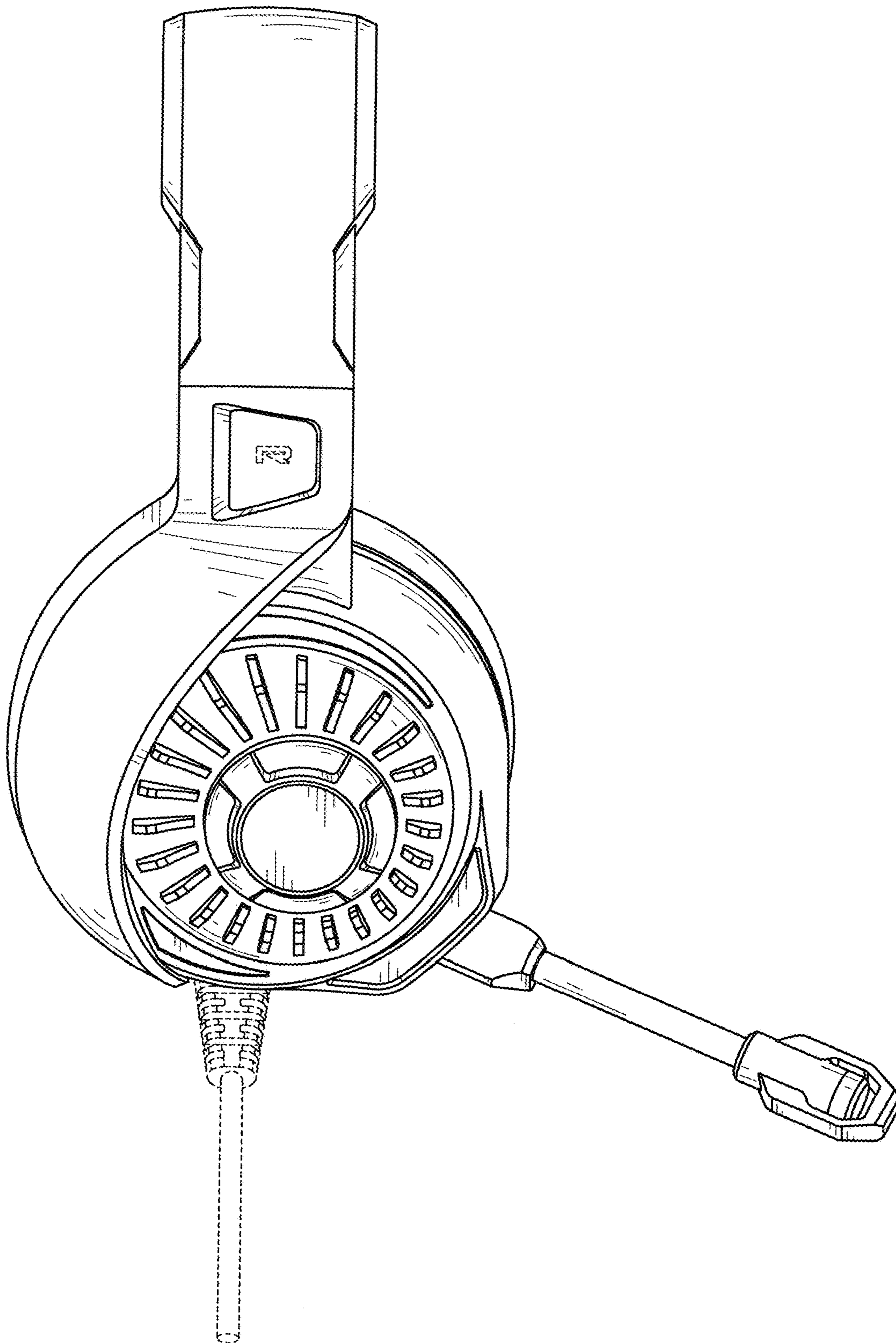


FIG. 5

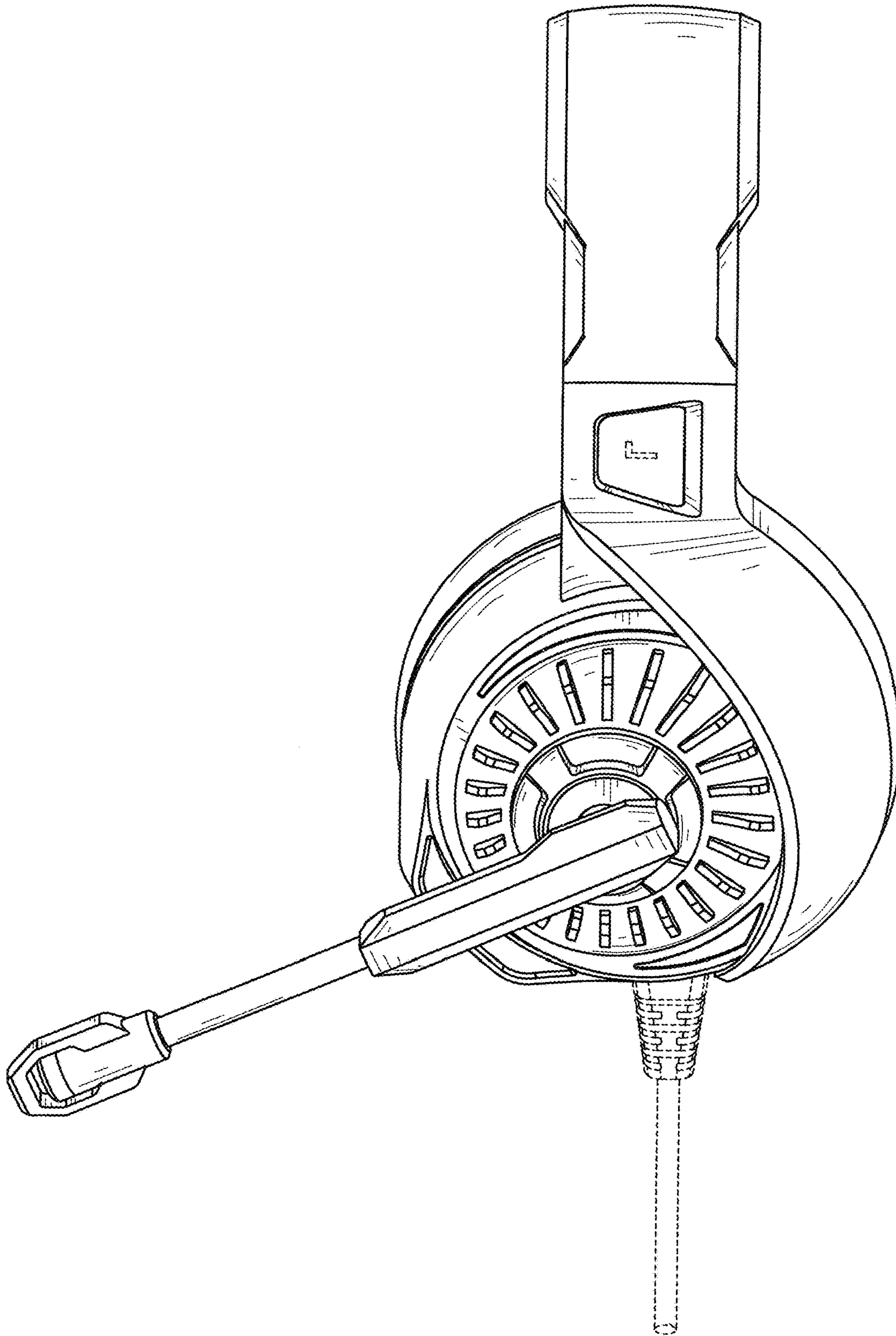


FIG. 6



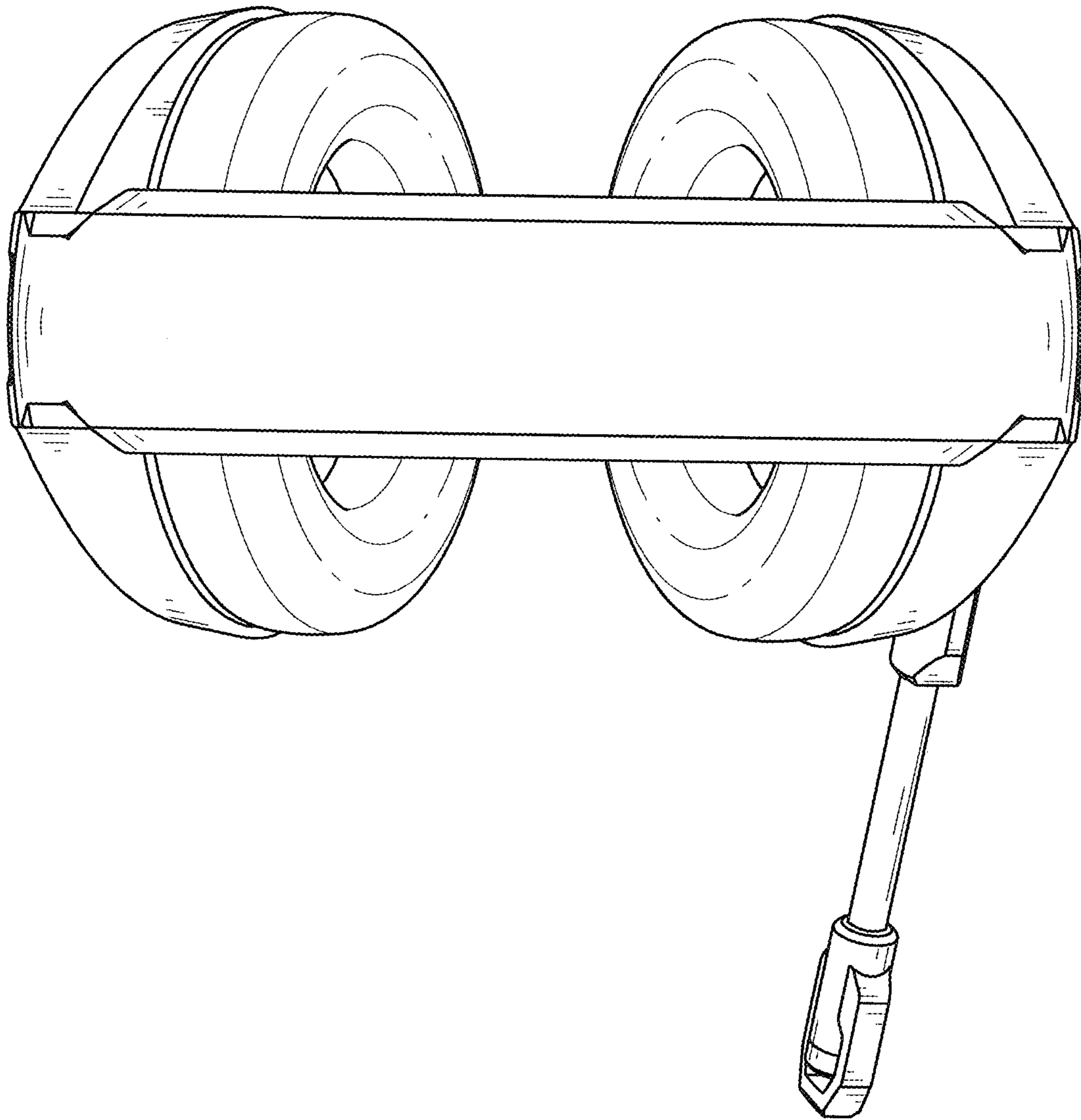


FIG. 7

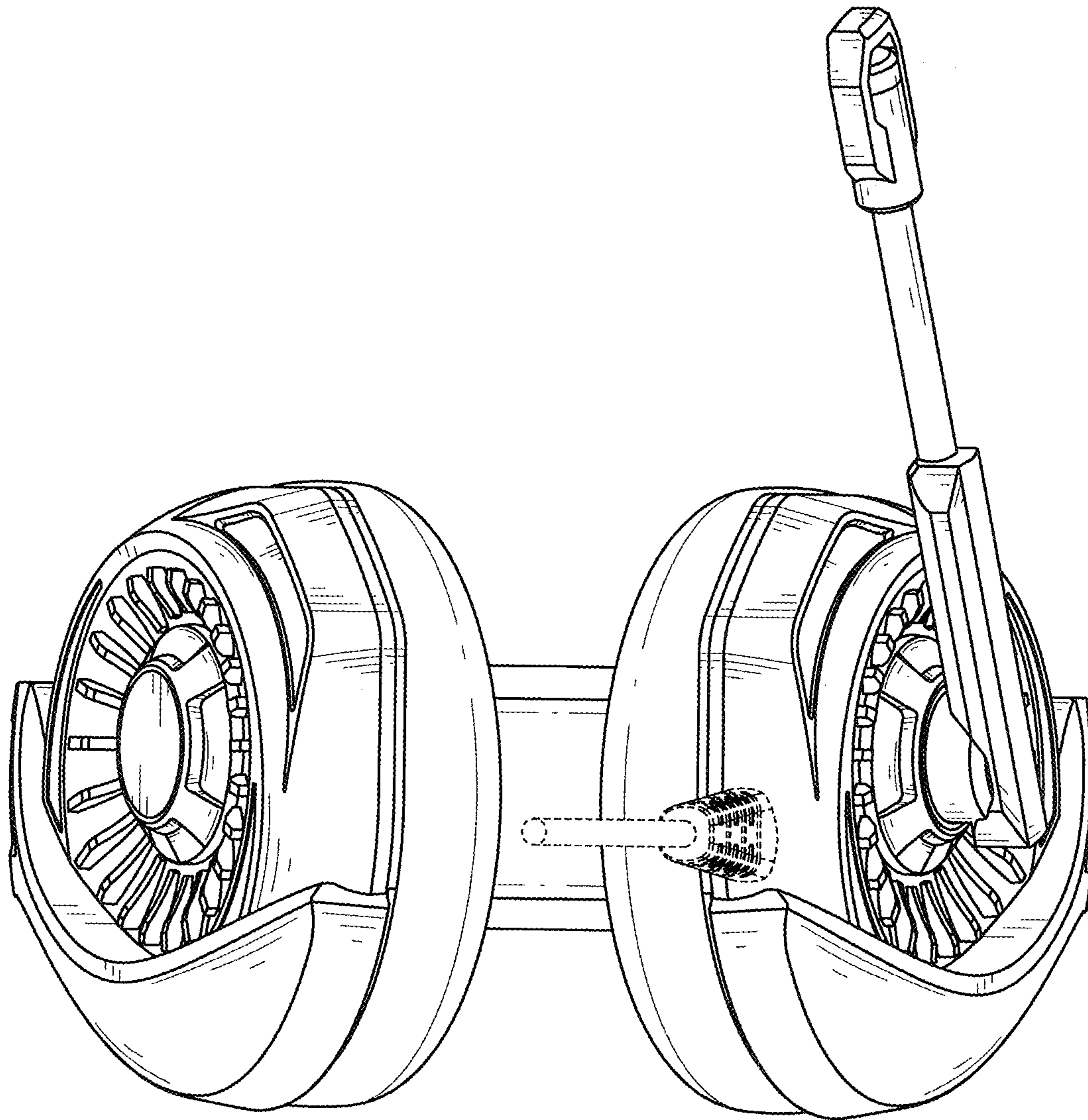


FIG. 8