



US00D901437S

(12) **United States Design Patent**
ShiXing

(10) **Patent No.:** **US D901,437 S**

(45) **Date of Patent:** **** Nov. 10, 2020**

(54) **RABBIT HEADPHONES**

(71) Applicant: **Ruiboshi Technology (ShenZhen) Co., Ltd, Shenzhen (CN)**

(72) Inventor: **He ShiXing, Shanwei (CN)**

(**) Term: **15 Years**

(21) Appl. No.: **29/739,916**

(22) Filed: **Jun. 30, 2020**

(51) **LOC (12) Cl.** **14-01**

(52) **U.S. Cl.**
USPC **D14/205; D14/207**

(58) **Field of Classification Search**
USPC D14/205, 207; D29/112; 2/209;
D1/110; D4/125; D2/899; D7/359, 354;
D9/613, 434; D11/121; D26/125; 36/1,
36/136; 362/644; 381/380, 381, 374;
455/90.3, 575.1, 569.1
CPC H04R 25/00; H04R 25/02; H04R 1/1066;
H04R 1/1016; H04R 5/033; H04R
5/0335; H04R 1/1083; H04R 1/1091;
H04R 1/105
See application file for complete search history.

(56) **References Cited**

U.S. PATENT DOCUMENTS

D141,102 S *	5/1945	Carver	D21/655
D216,287 S *	12/1969	Peters	D28/73
D256,701 S *	9/1980	Nakao	D21/405
D288,705 S *	3/1987	Shaffer	D21/655
4,816,000 A *	3/1989	Hsu	A63H 3/005 206/457
D326,875 S *	6/1992	Rasmussen	D21/655
D373,744 S *	9/1996	Wotton	D11/121
D387,338 S *	12/1997	Leifer	D14/403
D511,406 S *	11/2005	Saruhashi	D1/106
D523,492 S *	6/2006	Saruhashi	D21/576
D524,513 S *	7/2006	Palmer, Jr.	D1/110
D529,756 S *	10/2006	Boss	D7/359
D552,077 S	10/2007	Brunner et al.		
D589,684 S *	4/2009	Knab	D2/869

D673,136 S	12/2012	Kelly et al.		
D674,372 S	1/2013	Kelly et al.		
D685,283 S *	7/2013	Katoh	D11/1
D699,702 S *	2/2014	Chen	D14/205
D719,136 S *	12/2014	Schaal	D14/206
D740,857 S *	10/2015	Li	D14/496
D748,207 S *	1/2016	Luo	D21/655
D757,679 S *	5/2016	Yan	D14/205
D758,508 S *	6/2016	Chuang	D21/630

(Continued)

FOREIGN PATENT DOCUMENTS

EM	004163384-0001	*	8/2017
EM	007685730-0001	*	2/2020
EM	008160840-0001	*	9/2020

OTHER PUBLICATIONS

<https://jshopping.in/consumer-electronics/earphones-and-headphones/headphone-headset/oneodio-portable-kids-headphones-cute-3d-rabbit-85db-safety-children-over-ear-headset-with-adjustable-headband-gifts-for-girls/>.

Primary Examiner — Paula Allen Greene
(74) *Attorney, Agent, or Firm* — KA Filing LLC; Cynthia Flanigan

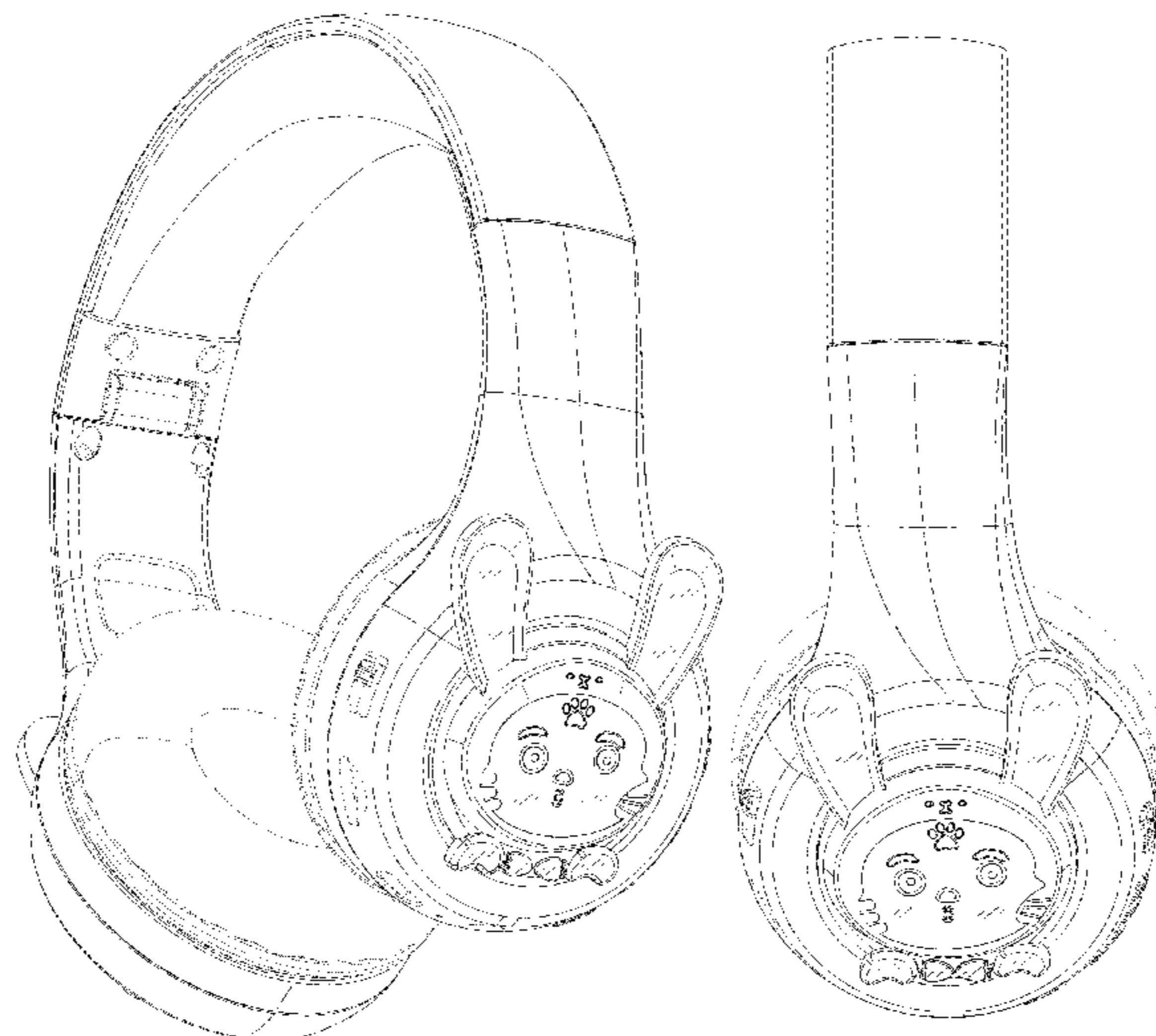
(57) **CLAIM**

I claim the ornamental design for a rabbit headphones, as shown and described.

DESCRIPTION

FIG. 1 is a Perspective view of a rabbit headphones showing my new design;
FIG. 2 is a Front view thereof;
FIG. 3 is a Back view thereof;
FIG. 4 is a Right-side view thereof;
FIG. 5 is a Left-side view thereof;
FIG. 6 is a Top view thereof; and,
FIG. 7 is a Bottom view thereof.
The broken lines are for the purpose of illustrating portions of the article that form no part of the claim.

1 Claim, 7 Drawing Sheets



(56)

References Cited

U.S. PATENT DOCUMENTS

D780,378 S * 2/2017 Chow A61F 11/14
D29/112
D795,837 S * 8/2017 Cai D14/205
D801,948 S * 11/2017 Picunko D14/205
D813,195 S * 3/2018 Huang D14/205
D815,060 S * 4/2018 Ando D14/205
10,021,487 B2 * 7/2018 Yan H04R 5/0335
D827,607 S 9/2018 Ando et al.
D851,624 S * 6/2019 Huang D14/205
D863,253 S * 10/2019 He D14/205
D869,433 S * 12/2019 Huan D14/205
D877,114 S * 3/2020 Lindenberger D14/205
D879,065 S * 3/2020 Chan D14/205
D881,157 S * 4/2020 Chen D14/205
D883,949 S * 5/2020 Hu D14/205
D884,669 S * 5/2020 Zhong D14/205
D888,008 S * 6/2020 Yook D14/205
D889,431 S * 7/2020 Huang D14/205
D890,124 S * 7/2020 ShiXing D14/205
D892,080 S * 8/2020 Krakovskiy D14/205
D894,867 S * 9/2020 Choe D14/205

* cited by examiner

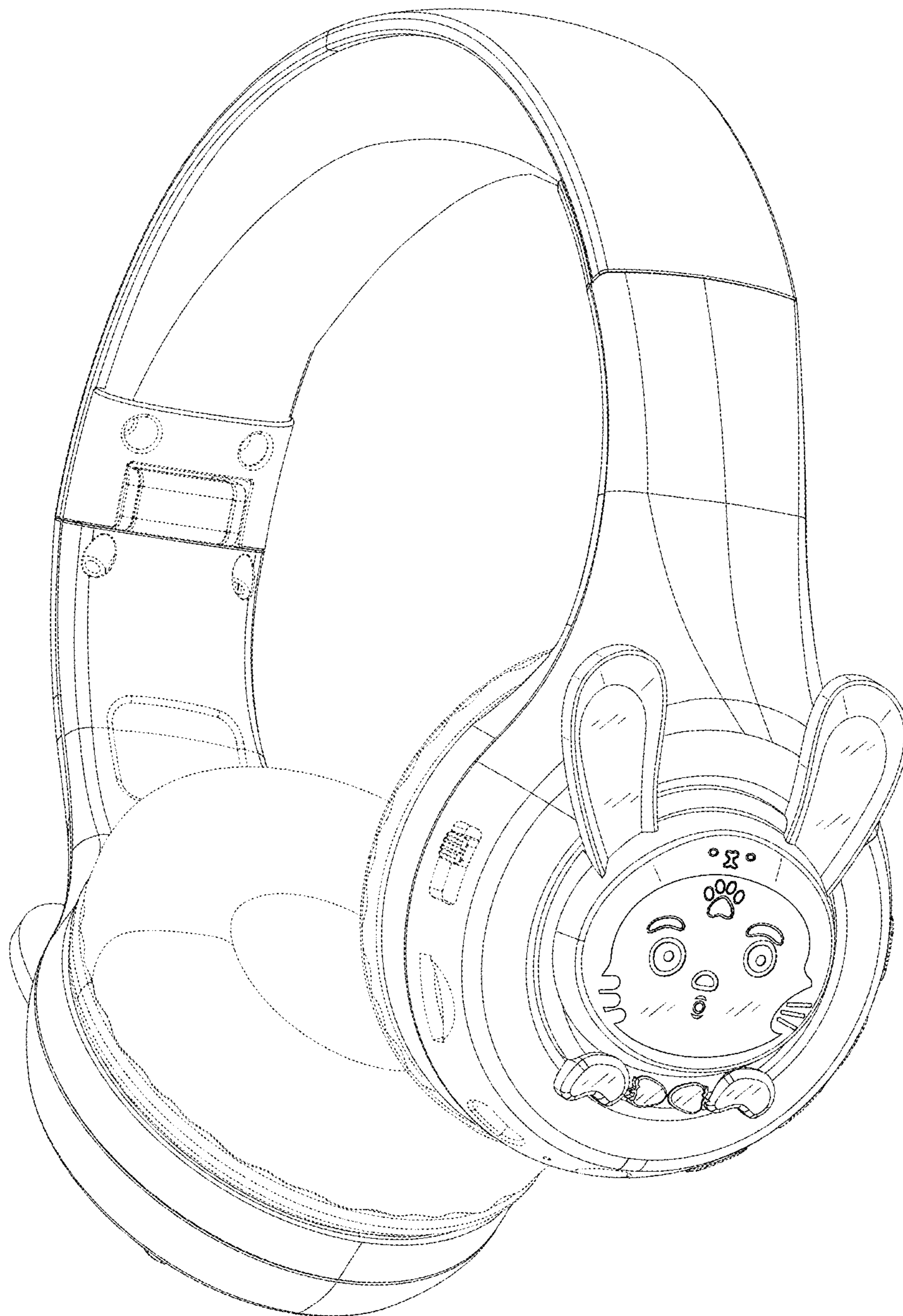


FIG. 1



FIG. 2



FIG. 3

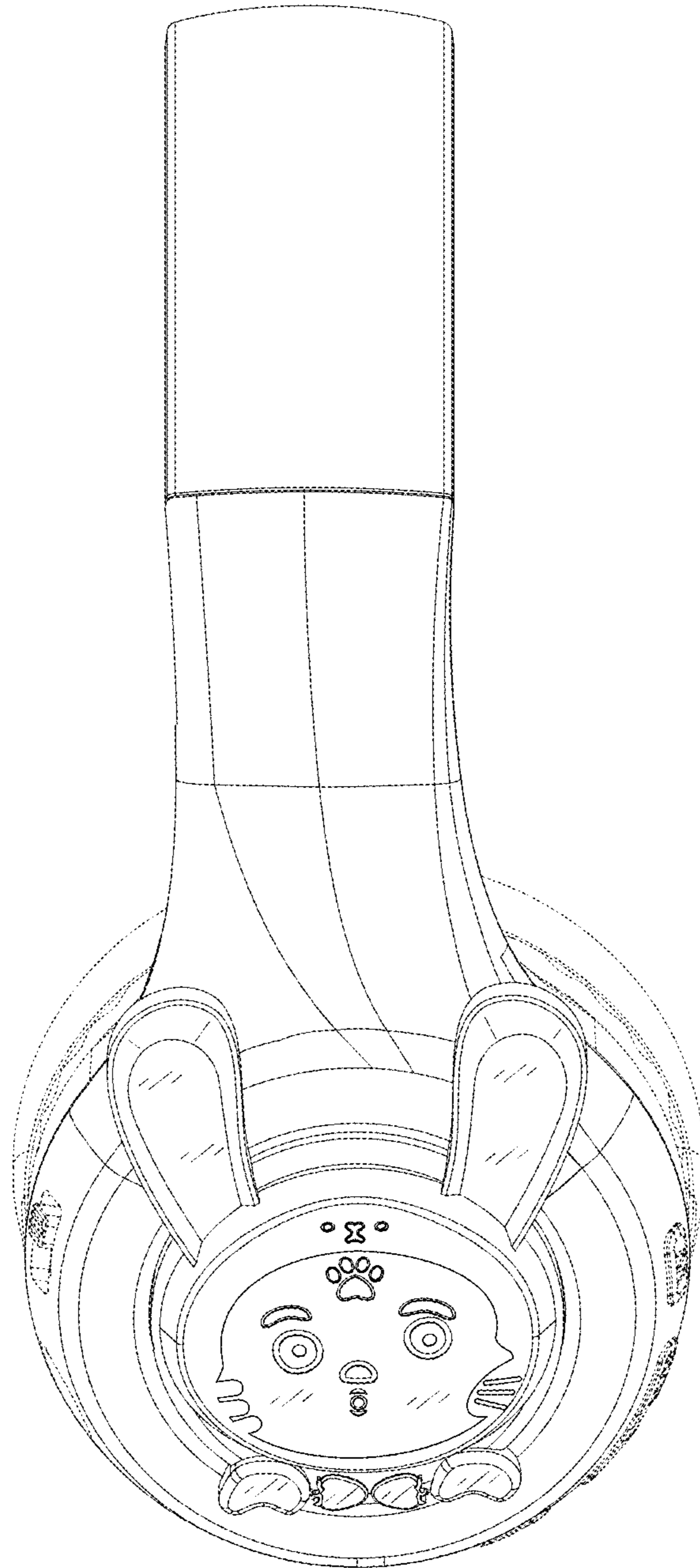


FIG. 4

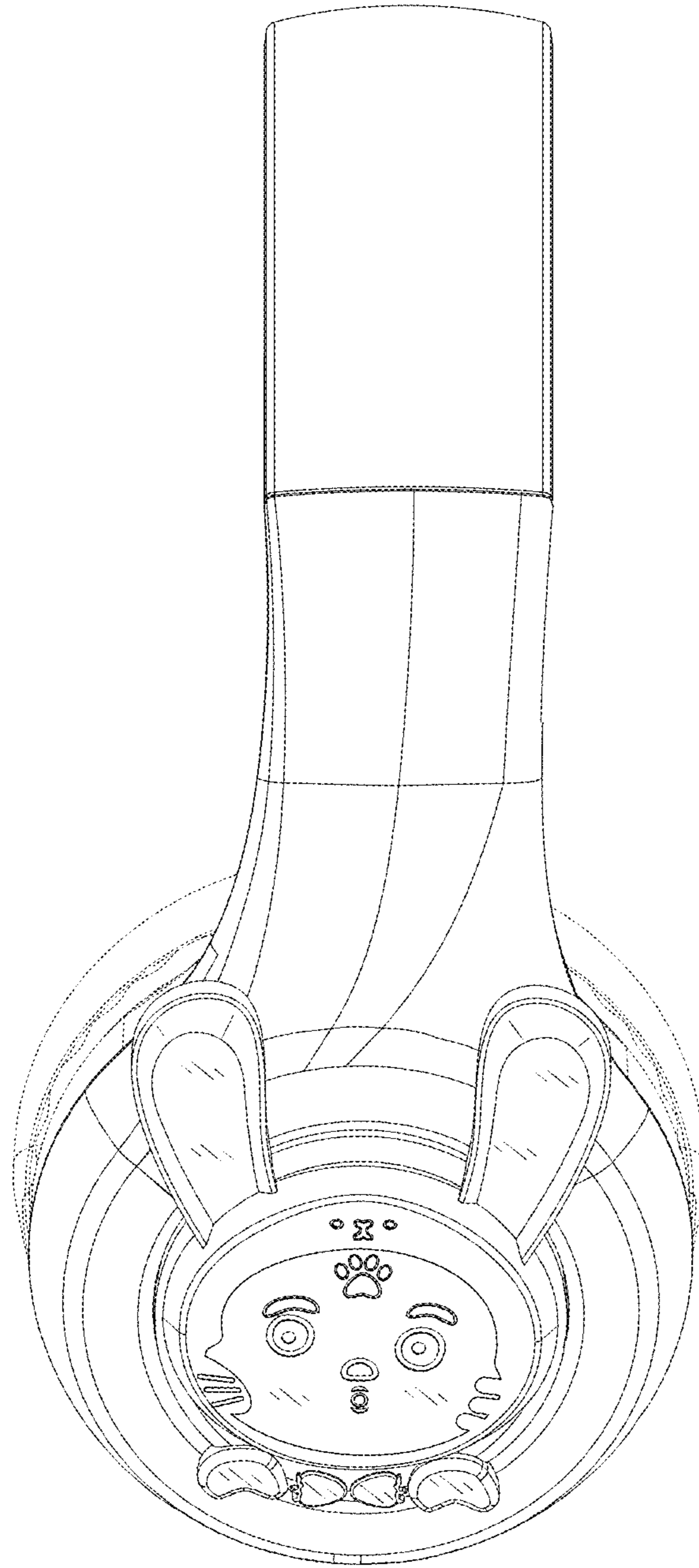


FIG. 5

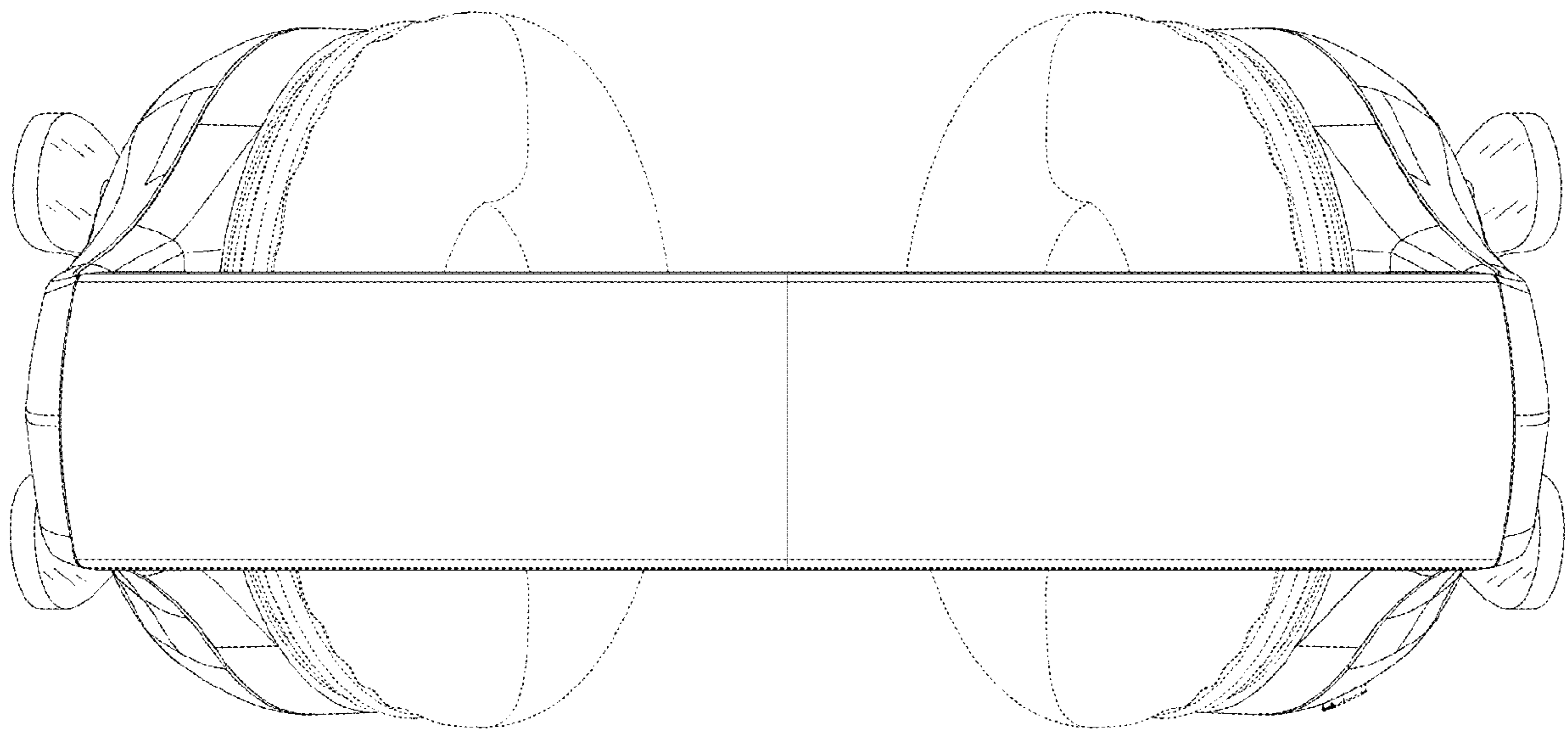


FIG. 6

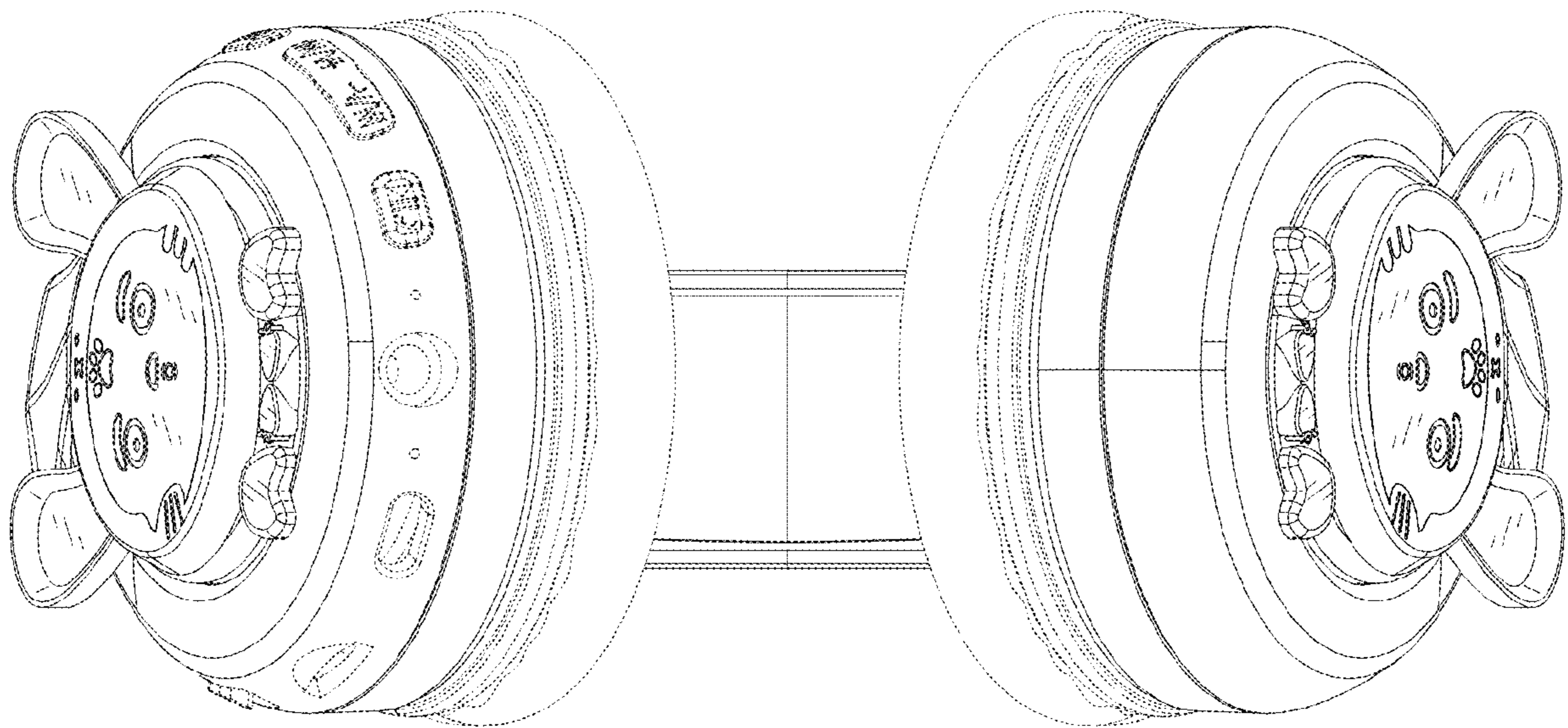


FIG. 7