



US00D901435S

(12) **United States Design Patent**  
**Petersen**

(10) **Patent No.:** **US D901,435 S**

(45) **Date of Patent:** **\*\* \*Nov. 10, 2020**

(54) **HEADPHONE**

(71) Applicant: **Zound Industries International AB,**  
Stockholm (SE)

(72) Inventor: **Erik Petersen,** Stockholm (SE)

(73) Assignee: **Zound Industries International AB,**  
Stockholm (SE)

(\*) Notice: This patent is subject to a terminal disclaimer.

(\*\*) Term: **15 Years**

(21) Appl. No.: **29/655,534**

(22) Filed: **Jul. 4, 2018**

(30) **Foreign Application Priority Data**

Jan. 9, 2018 (EM) ..... 004652501-0001

(51) **LOC (12) Cl.** ..... **14-01**

(52) **U.S. Cl.**  
USPC ..... **D14/205**

(58) **Field of Classification Search**  
USPC ..... D14/205, 188, 192; D29/112; 2/209;  
181/129, 130, 135; 379/430, 431;  
381/380, 381, 374; 455/90.3, 575.1,  
455/569.1; D8/336, 331, 330  
CPC ..... H04R 25/00; H04R 25/02; H04R 1/1066;  
H04R 1/1016; H04R 5/033; H04R  
5/0335; H04R 1/10

See application file for complete search history.

(56) **References Cited**

**U.S. PATENT DOCUMENTS**

1,555,997 A \* 10/1925 Lidberg ..... H04R 1/1066  
381/378  
1,878,397 A \* 9/1932 Hekler ..... A45D 44/12  
2/174

2,149,341 A \* 3/1939 Harrison ..... H04R 1/1066  
381/379  
3,097,406 A \* 7/1963 Yarborough ..... A45C 13/185  
24/3.7  
3,119,119 A \* 1/1964 Millinger ..... A61F 11/06  
2/209  
3,132,393 A \* 5/1964 Sussman Steinberg .....  
A44B 11/00  
24/71 SK  
3,461,463 A \* 8/1969 Beguin ..... A42B 3/166  
2/423  
3,810,525 A \* 5/1974 Crenna ..... H04R 1/1008  
181/129  
D254,616 S \* 4/1980 Tabata ..... D14/205  
D270,634 S \* 9/1983 Ungar ..... D14/205  
D291,690 S \* 9/1987 Tabachnik ..... D14/205  
D299,454 S \* 1/1989 Kwong ..... D14/205  
4,821,318 A \* 4/1989 Wu ..... H04M 1/05  
379/430  
D301,145 S \* 5/1989 Besasie ..... D14/205

(Continued)

**FOREIGN PATENT DOCUMENTS**

CN 305250003 \* 7/2019  
CN 305250004 \* 7/2019

*Primary Examiner* — Paula Allen Greene

(74) *Attorney, Agent, or Firm* — Alonzo & Associates;  
Arlyn Alonzo

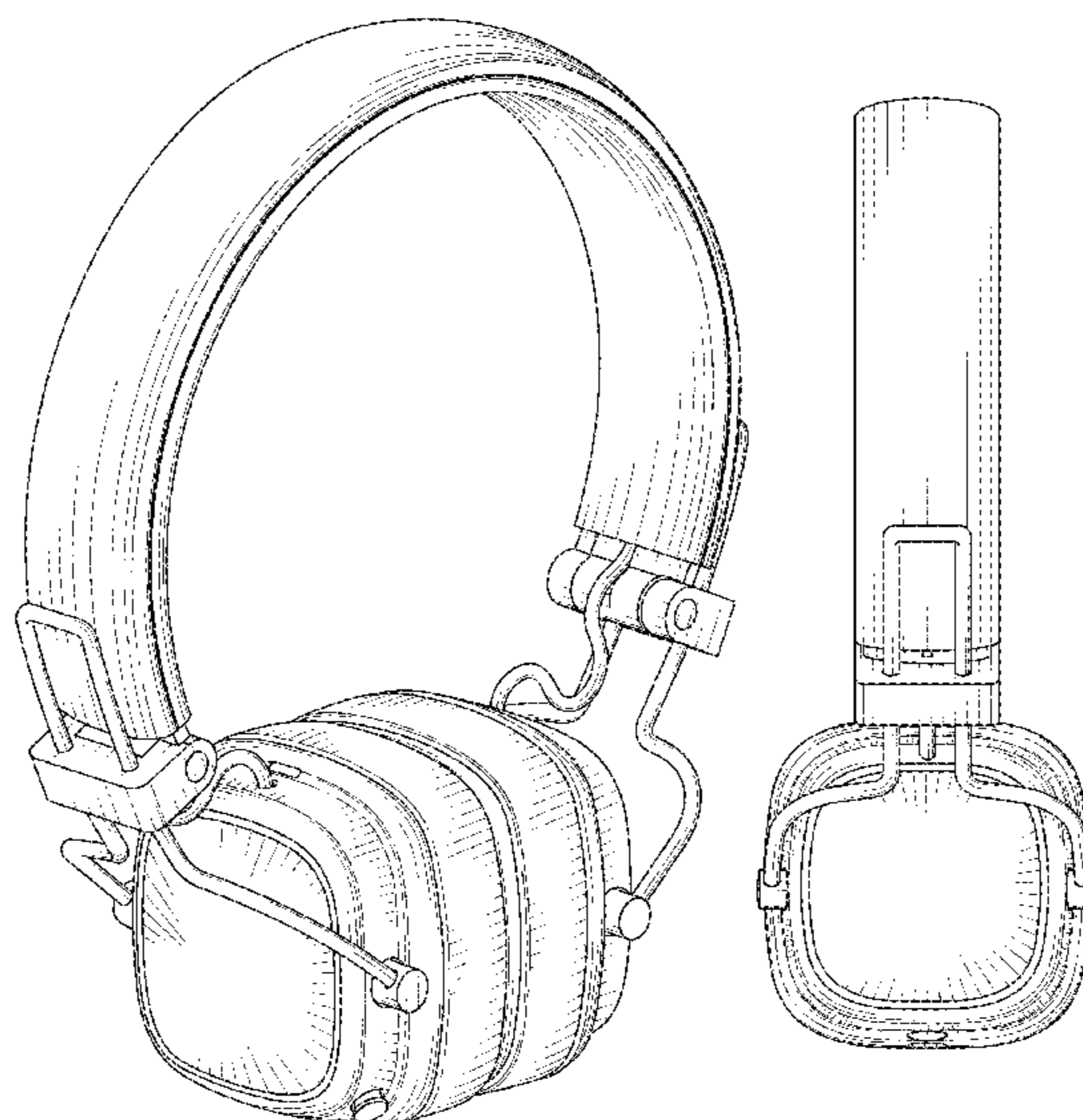
(57) **CLAIM**

The ornamental design for a headphone, as shown and described.

**DESCRIPTION**

FIG. 1 is a perspective view of an exemplary headphone.  
FIG. 2 is a front view thereof.  
FIG. 3 is a rear view thereof.  
FIG. 4 is a left side view thereof.  
FIG. 5 is a right side view thereof.  
FIG. 6 is a top view thereof; and,  
FIG. 7 is a bottom view thereof.

**1 Claim, 7 Drawing Sheets**



(56)

References Cited

U.S. PATENT DOCUMENTS

4,829,571	A *	5/1989	Kakiuchi	.....	H04R 1/1033				
					381/309				
D313,092	S *	12/1990	Nilsson	.....	D14/205				
D317,767	S *	6/1991	Banks	.....	D14/205				
D324,166	S *	2/1992	Greco	.....	D8/331				
5,293,647	A *	3/1994	Mirmilshhteyn	.....	H04R 1/10				
					2/209				
D353,818	S *	12/1994	Nakamura	.....	D14/205				
5,406,037	A *	4/1995	Nageno	.....	H04R 5/0335				
					181/129				
5,574,795	A *	11/1996	Seki	.....	H04R 5/0335				
					381/370				
6,449,806	B1 *	9/2002	Engelhard	.....	H04M 1/05				
					2/209				
6,654,966	B2 *	12/2003	Rolla	.....	H04R 1/1066				
					2/209				
6,868,164	B2 *	3/2005	Ito	.....	H04R 5/0335				
					381/370				
D512,708	S *	12/2005	Harris, Jr.	.....	D14/205				
D514,087	S *	1/2006	Wilson	.....	D14/206				
D518,474	S *	4/2006	Suzuki	.....	D14/205				
D519,497	S *	4/2006	Komiyama	.....	D14/223				
D538,261	S *	3/2007	Taylor	.....	D14/205				
D573,581	S *	7/2008	Gondo	.....	D14/205				
D584,715	S *	1/2009	Brennwald	.....	D14/205				
D585,871	S *	2/2009	Lee	.....	D14/205				
D600,674	S *	9/2009	Brennwald	.....	D14/205				
D663,286	S *	7/2012	Morisawa	.....	D14/205				
D668,633	S *	10/2012	Enquist	.....	D14/205				
D683,327	S *	5/2013	Dougherty	.....	D14/205				
D688,648	S *	8/2013	Li	.....	D14/205				
D697,048	S *	1/2014	Pavitsich	.....	D14/205				
8,646,466	B2 *	2/2014	Howard	.....	A45D 8/36				
					132/275				
D700,590	S *	3/2014	Heath	.....	D14/205				
8,755,555	B2 *	6/2014	Dougherty	.....	H04R 1/1066				
					381/370				
D719,136	S *	12/2014	Schaal	.....	D14/205				
D743,369	S *	11/2015	Mackiewicz	.....	D14/205				
D743,947	S *	11/2015	Yoshimura	.....	D14/223				
D758,991	S *	6/2016	Petersen	.....	D14/205				
D777,010	S *	1/2017	Sarnowski	.....	D8/331				
D790,504	S *	6/2017	Tam	.....	D14/205				
D795,218	S *	8/2017	Ohmachi	.....	D14/205				
9,729,954	B2 *	8/2017	Levine	.....	H04R 1/1033				
D796,477	S *	9/2017	Minn	.....	D14/205				
D796,478	S *	9/2017	Minn	.....	D14/205				
D814,439	S *	4/2018	Birath	.....	D14/205				
D826,894	S *	8/2018	Zhang	.....	D14/205				
D830,330	S *	10/2018	Petersen	.....	D14/205				
D830,331	S *	10/2018	Petersen	.....	D14/205				
D832,811	S *	11/2018	Levine	.....	D14/205				
D837,763	S *	1/2019	Suzuki	.....	D14/205				
2008/0056525	A1 *	3/2008	Fujiwara	.....	H04R 1/1033				
					381/374				
2010/0046781	A1 *	2/2010	Chen	.....	H04R 1/1091				
					381/371				
2016/0198250	A1 *	7/2016	Pan	.....	H04R 1/1041				
					381/74				
2017/0041697	A1 *	2/2017	Levine	.....	H04R 1/1033				
2018/0020277	A1 *	1/2018	Briggs	.....	H04R 1/1008				

\* cited by examiner

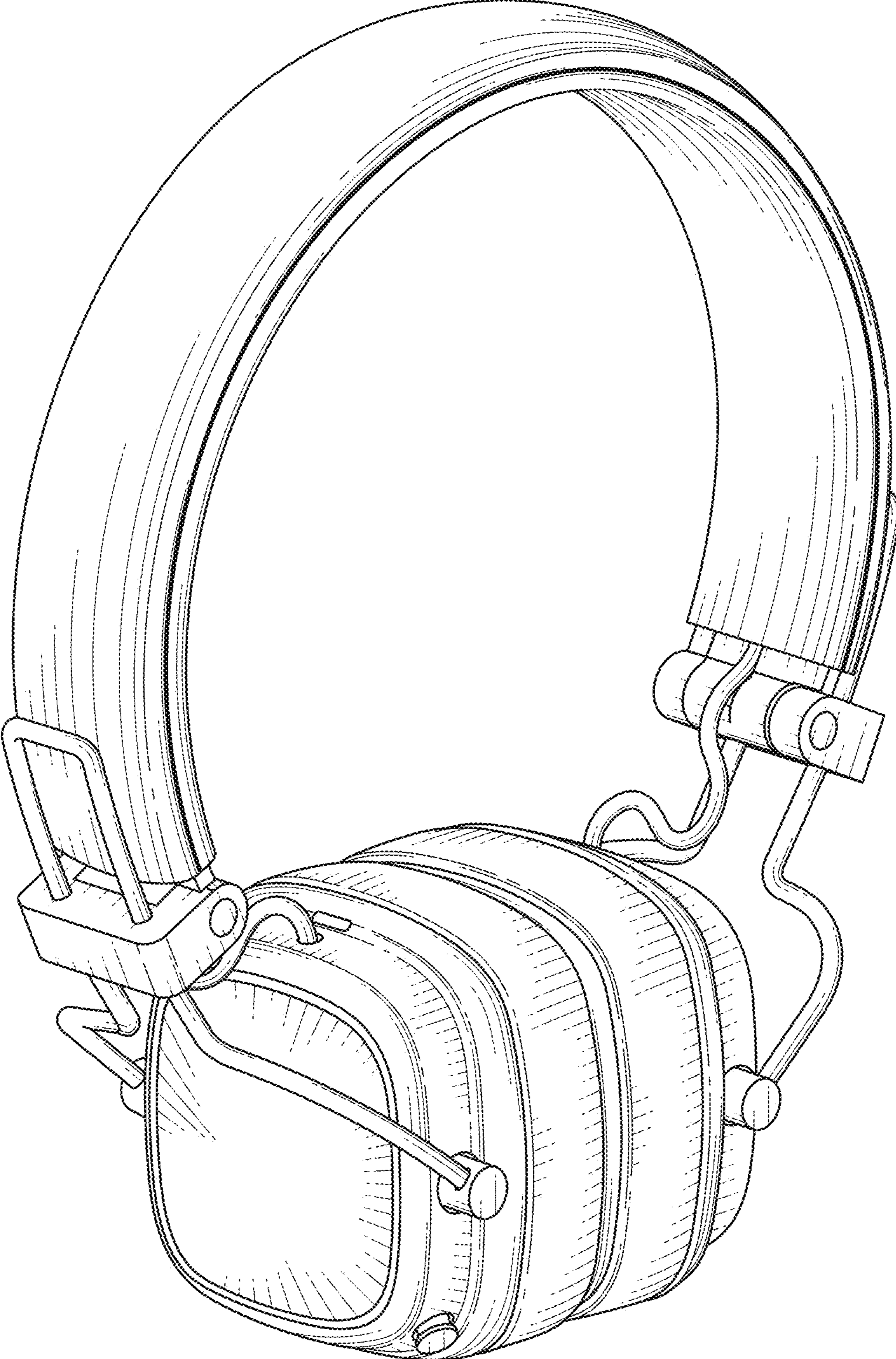


FIG. 1

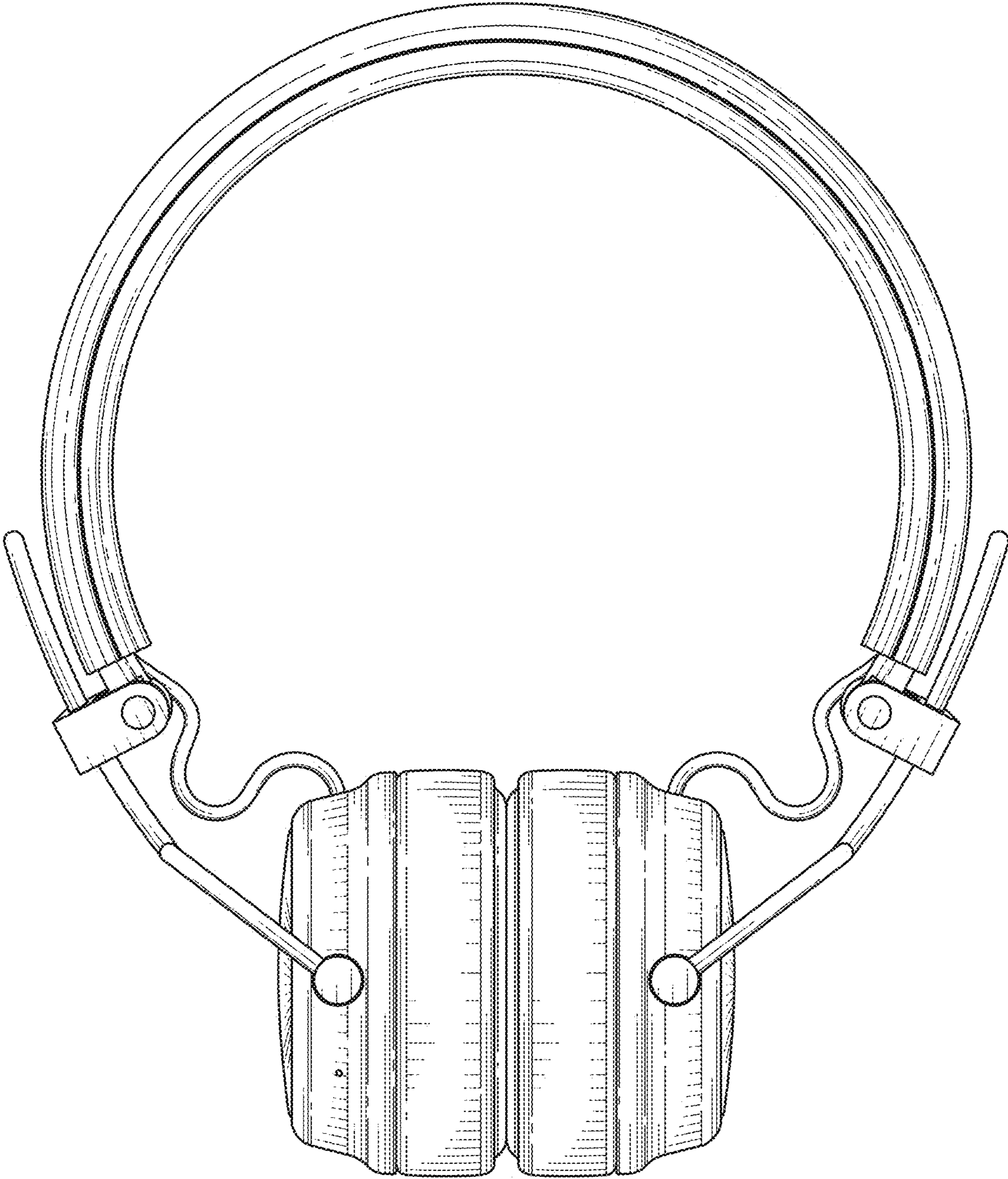


FIG. 2

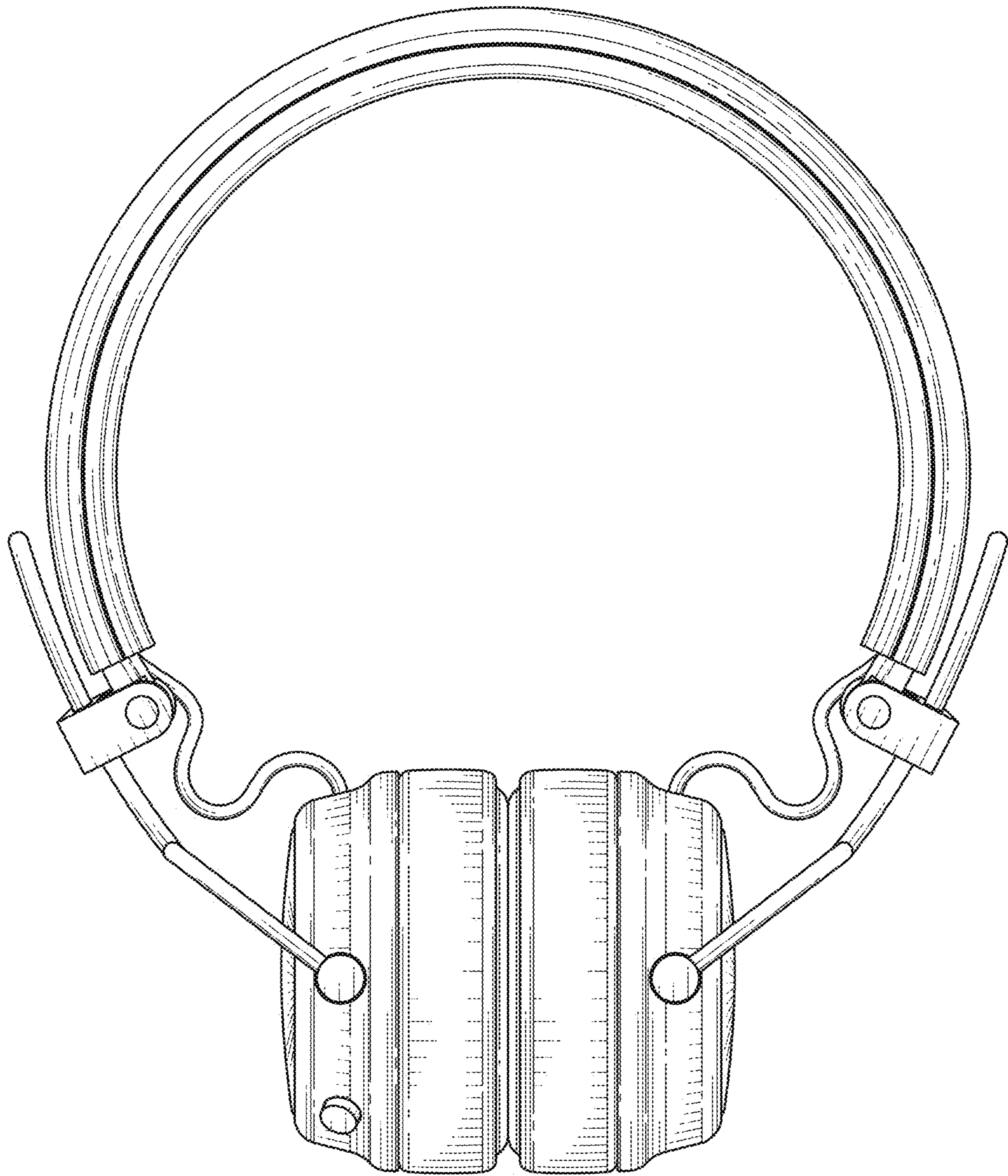


FIG. 3

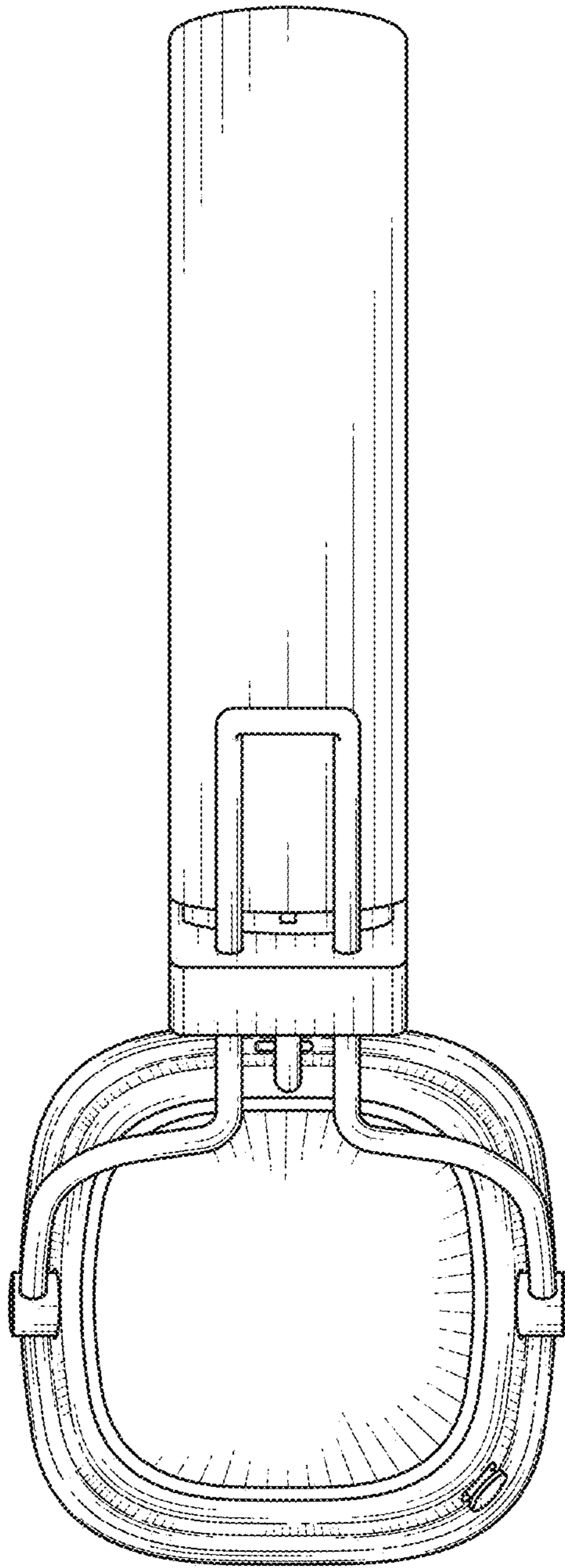


FIG. 4

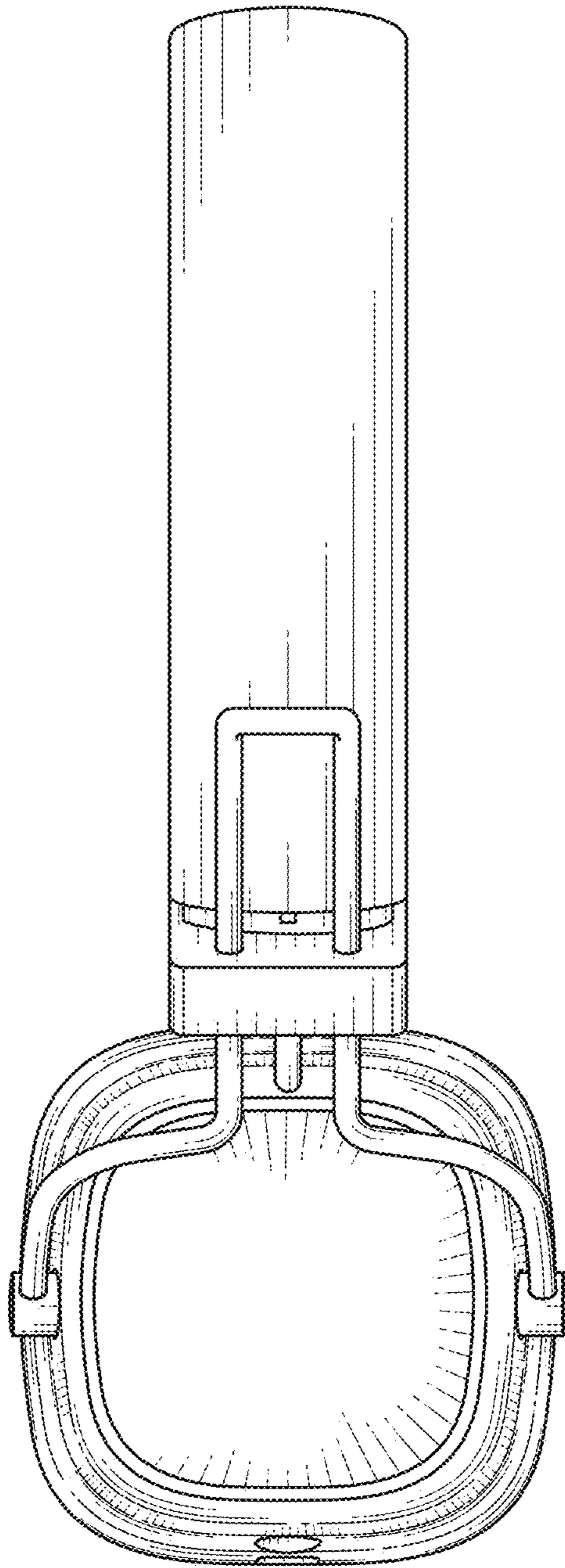


FIG. 5

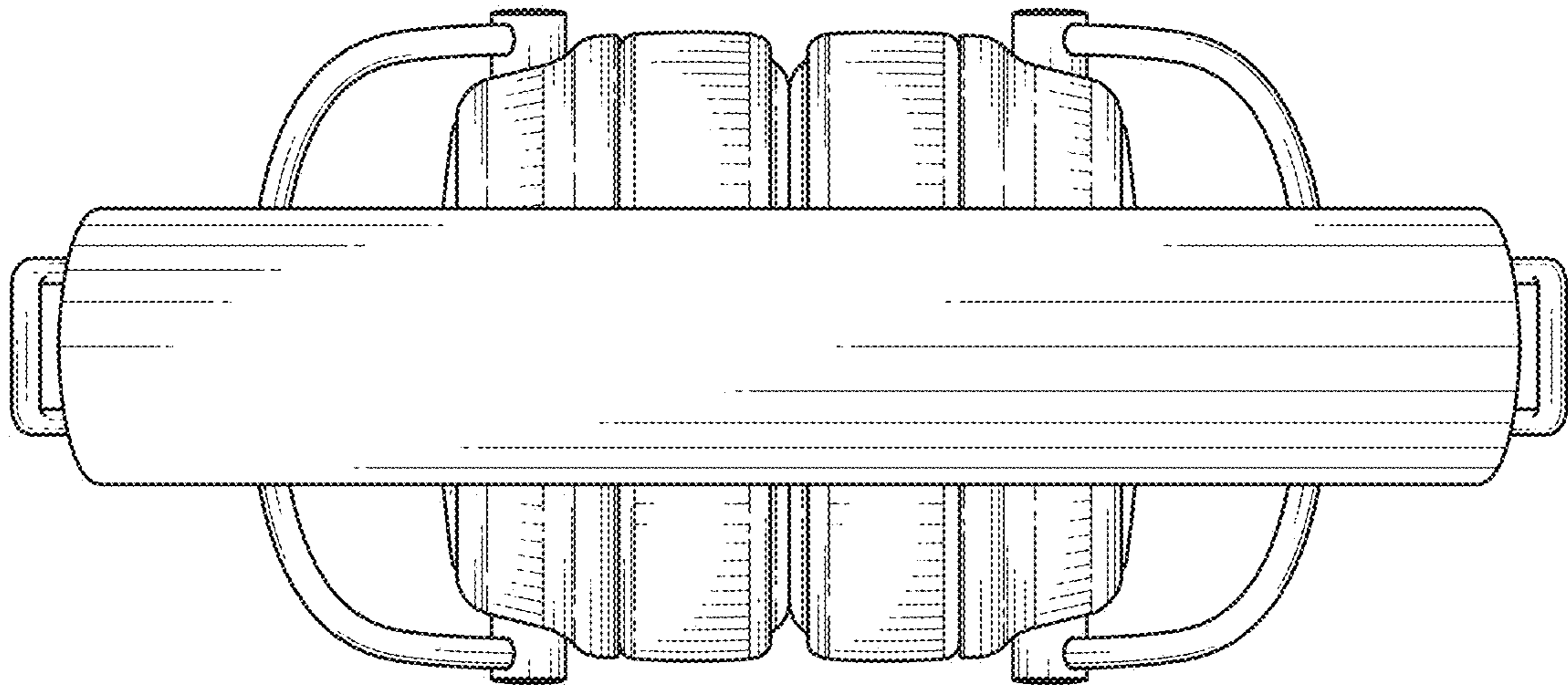


FIG. 6



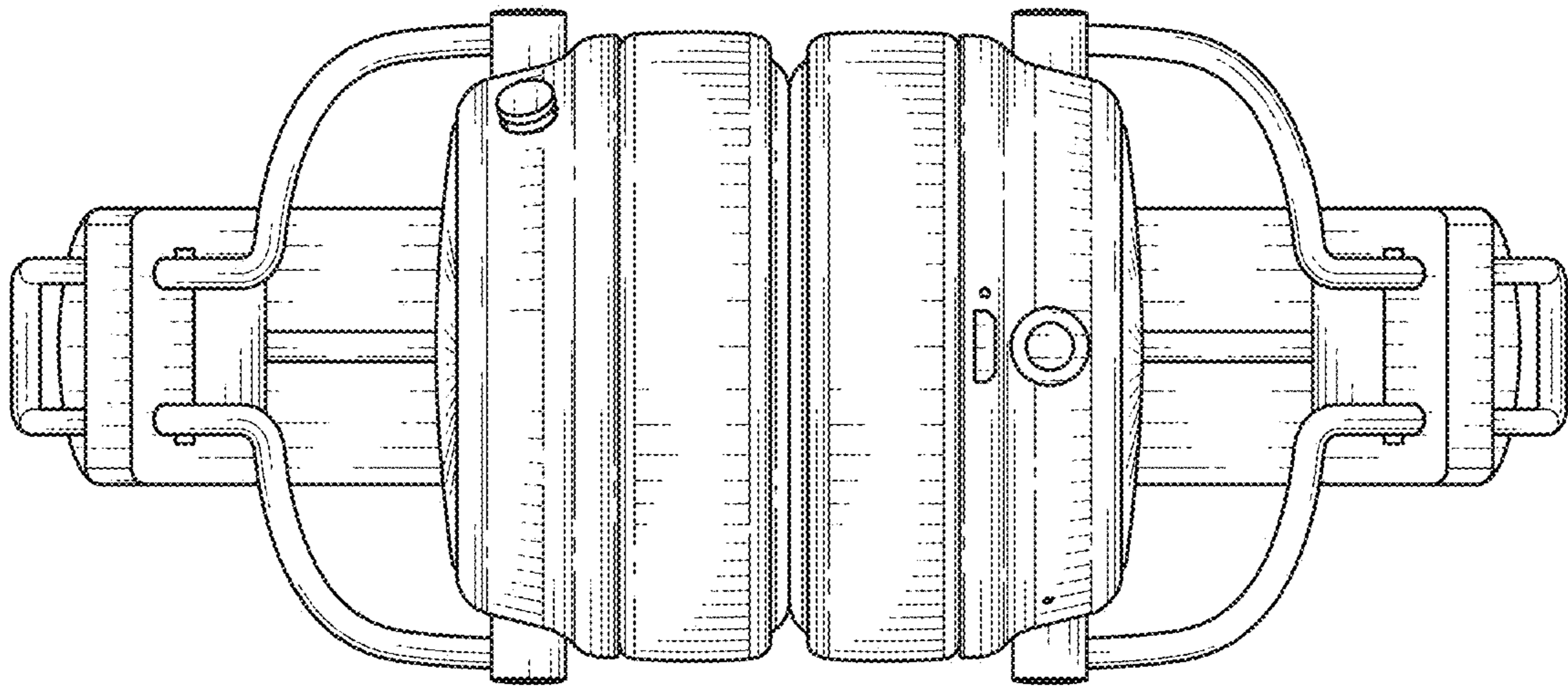


FIG. 7