



US00D901432S

(12) **United States Design Patent**
Kim

(10) **Patent No.:** **US D901,432 S**

(45) **Date of Patent:** **** Nov. 10, 2020**

(54) **DIGITAL AUDIO PLAYER**

(71) Applicant: **Dreamus Company**, Seoul (KR)

(72) Inventor: **So Yeon Kim**, Seoul (KR)

(73) Assignee: **DREAMUS COMPANY**, Seoul (KR)

(**) Term: **15 Years**

(21) Appl. No.: **29/702,019**

(22) Filed: **Aug. 16, 2019**

(30) **Foreign Application Priority Data**

Aug. 9, 2019 (KR) 30-2019-0038087

(51) **LOC (12) Cl.** **14-03**

(52) **U.S. Cl.**
USPC **D14/203.7**

(58) **Field of Classification Search**
USPC D14/496–511, 168–172, 188–196,
D14/203.1–203.8, 204, 207, 209.1–216,
D14/217; 455/575.1, 575.8, 93, 95, 100
CPC B60K 35/00; B60K 37/00; B60K 37/02;
B60K 37/06; B60R 11/02; G11B 17/02;
G11B 17/04

See application file for complete search history.

(56) **References Cited**

U.S. PATENT DOCUMENTS

D712,870 S * 9/2014 Kim D14/203.7
D717,763 S * 11/2014 Han D14/203.7

D747,288 S * 1/2016 Han D14/203.3
D772,839 S * 11/2016 Kim D14/203.7
D787,468 S * 5/2017 Lee D14/203.7
D792,371 S * 7/2017 Kim D14/203.7
D808,357 S * 1/2018 Kim D14/203.7
D828,324 S * 9/2018 Jeong D14/203.7
D839,234 S * 1/2019 Bian D14/203.7

* cited by examiner

Primary Examiner — Sandra L Morris

(74) *Attorney, Agent, or Firm* — Hauptman Ham, LLP

(57) **CLAIM**

The ornamental design for a digital audio player, as shown and described.

DESCRIPTION

FIG. 1 is a perspective view of a digital audio player showing in my design;
FIG. 2 is another perspective view of the digital audio player of FIG. 1;
FIG. 3 is a front view of the digital audio player of FIG. 1;
FIG. 4 is a rear view of the digital audio player of FIG. 1;
FIG. 5 is a left side view of the digital audio player of FIG. 1;
FIG. 6 is a right side view of the digital audio player of FIG. 1;
FIG. 7 is a top view of the digital audio player of FIG. 1;
FIG. 8 is a bottom view of the digital audio player of FIG. 1; and,
FIG. 9 is an enlarged view of a portion indicated by the reference numeral 9 in FIG. 1.

1 Claim, 8 Drawing Sheets

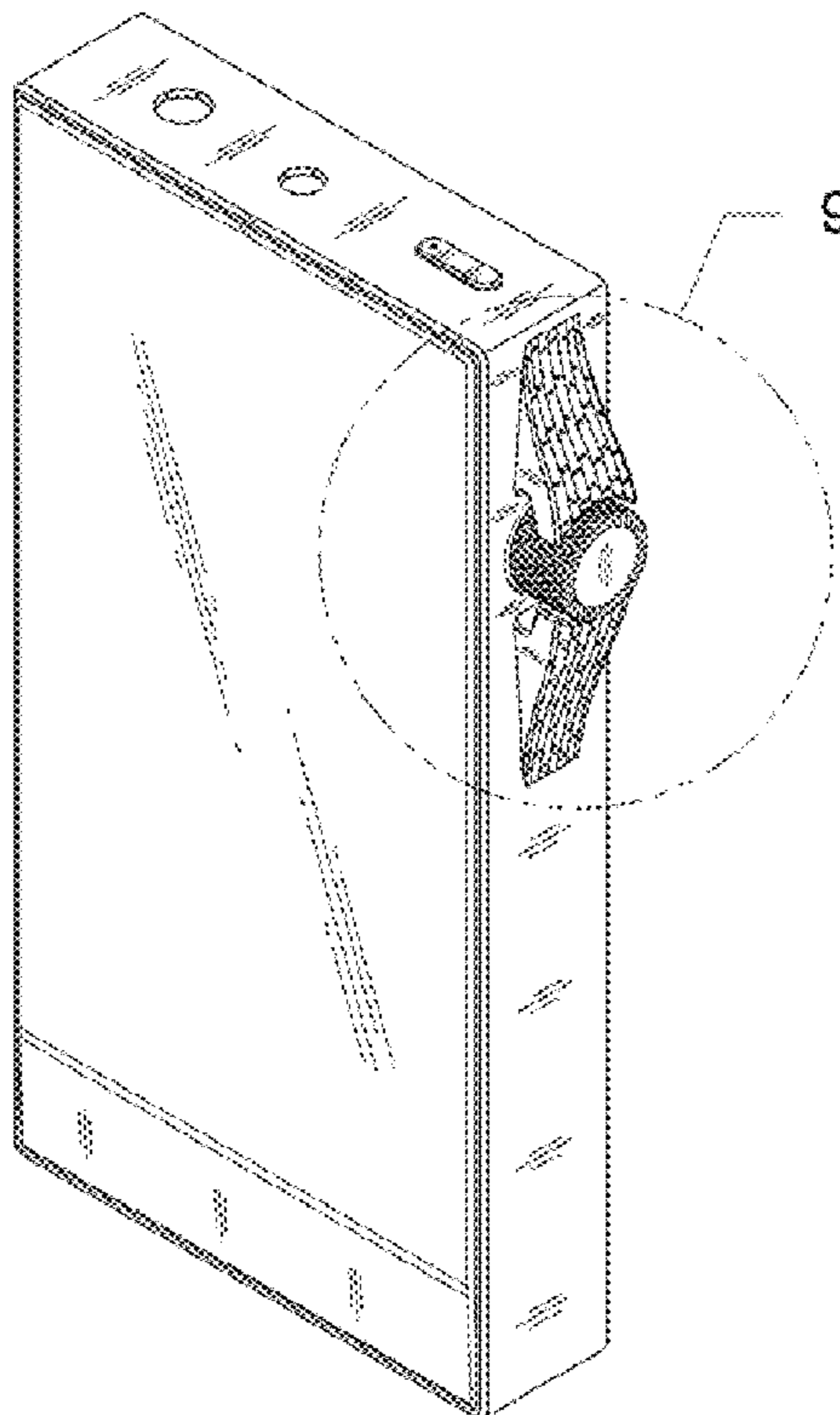


FIG. 1

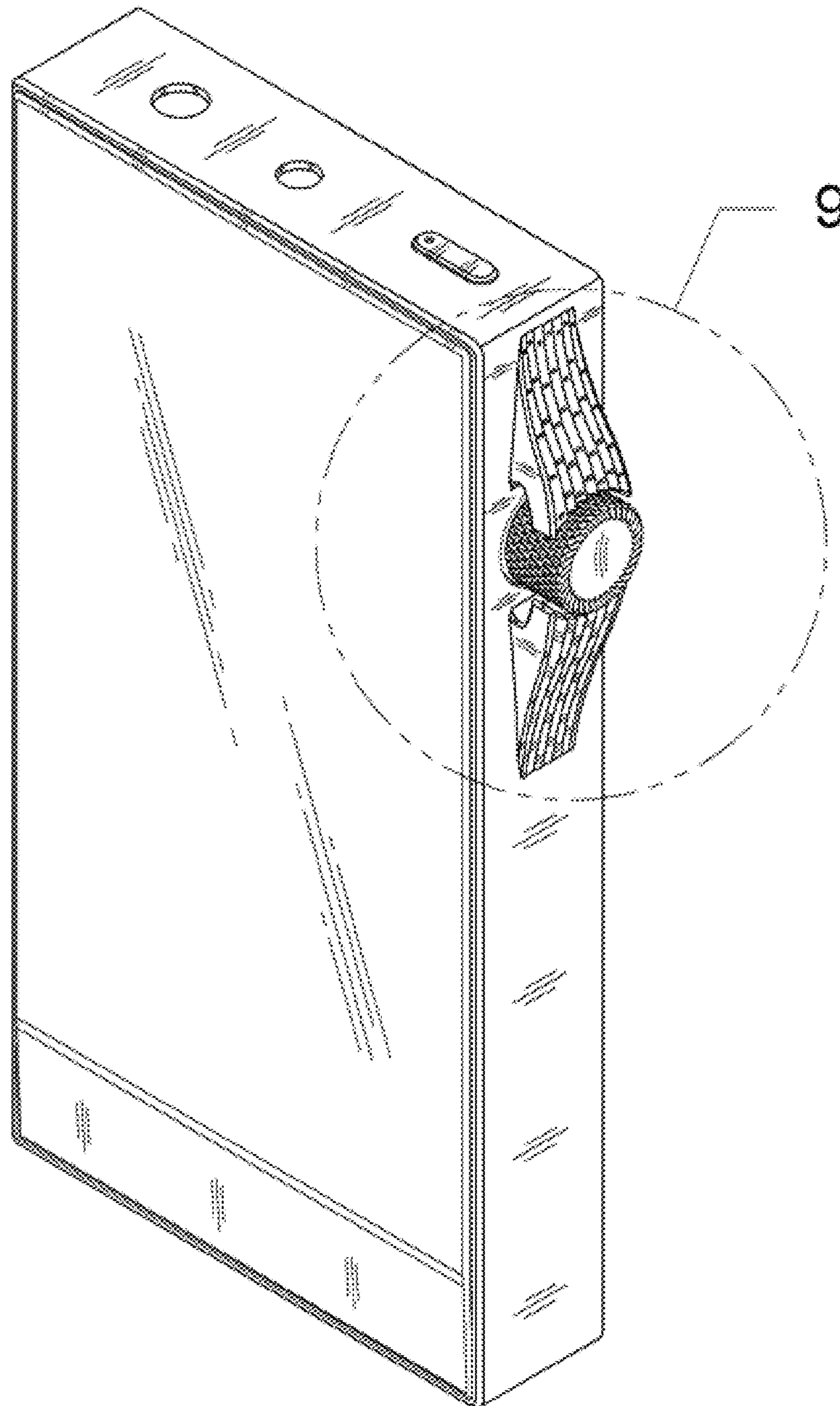


FIG. 2

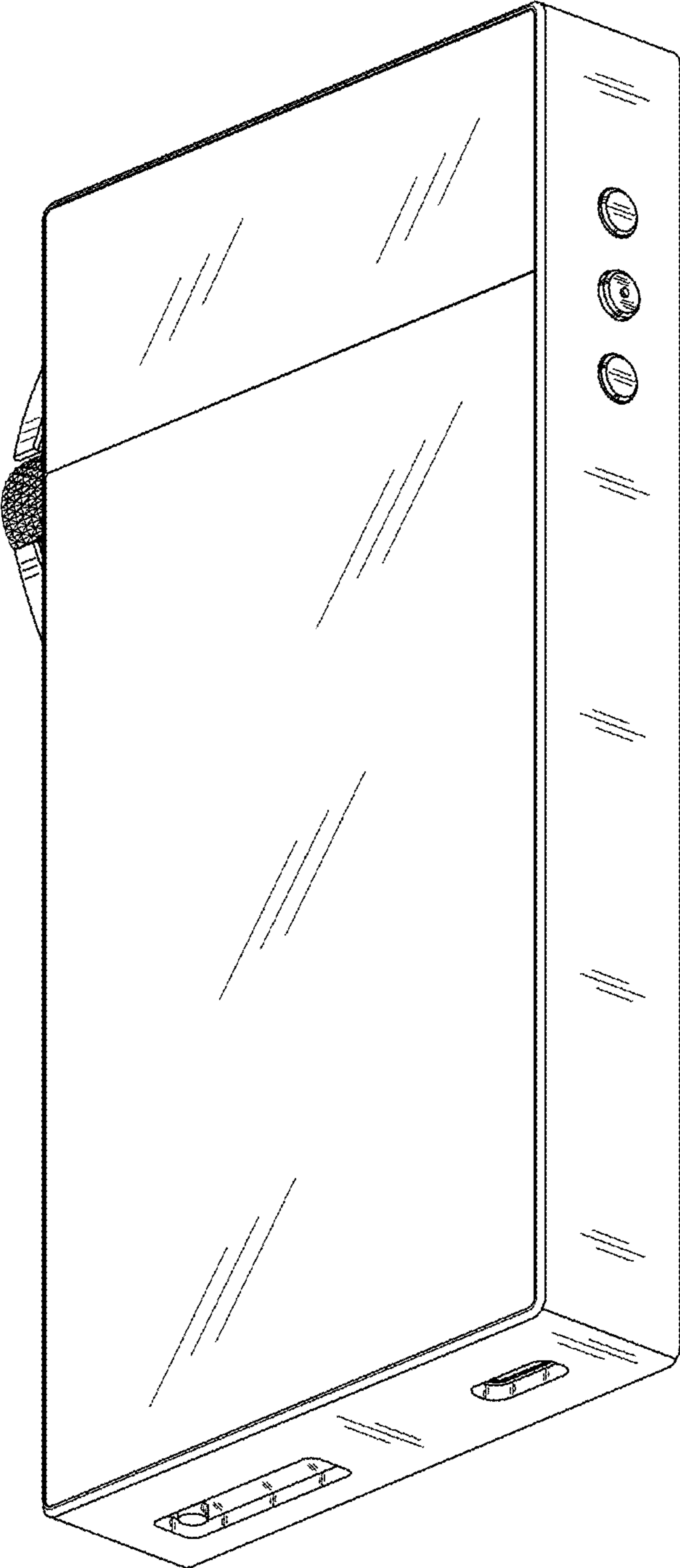


FIG. 3

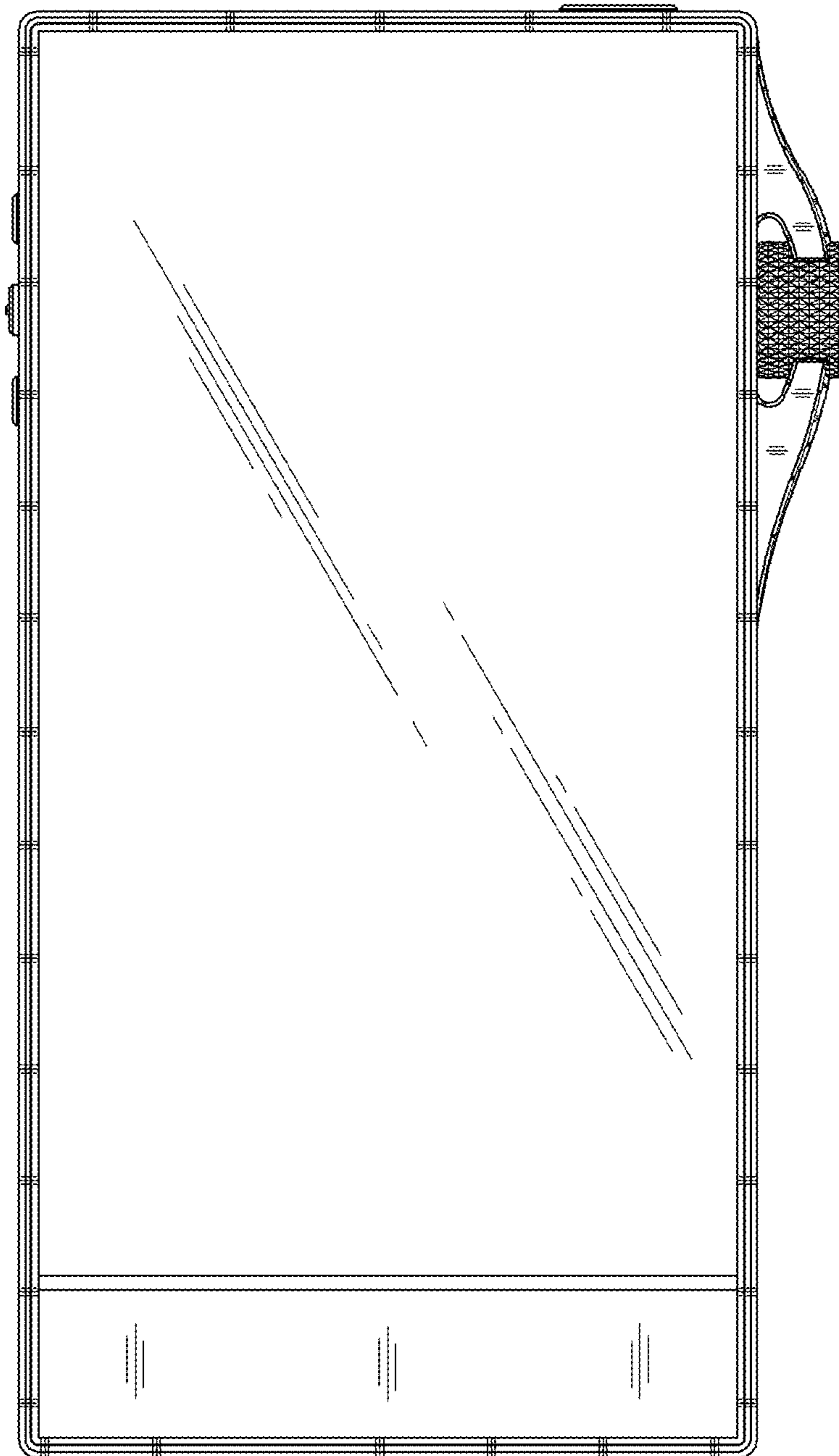


FIG. 4

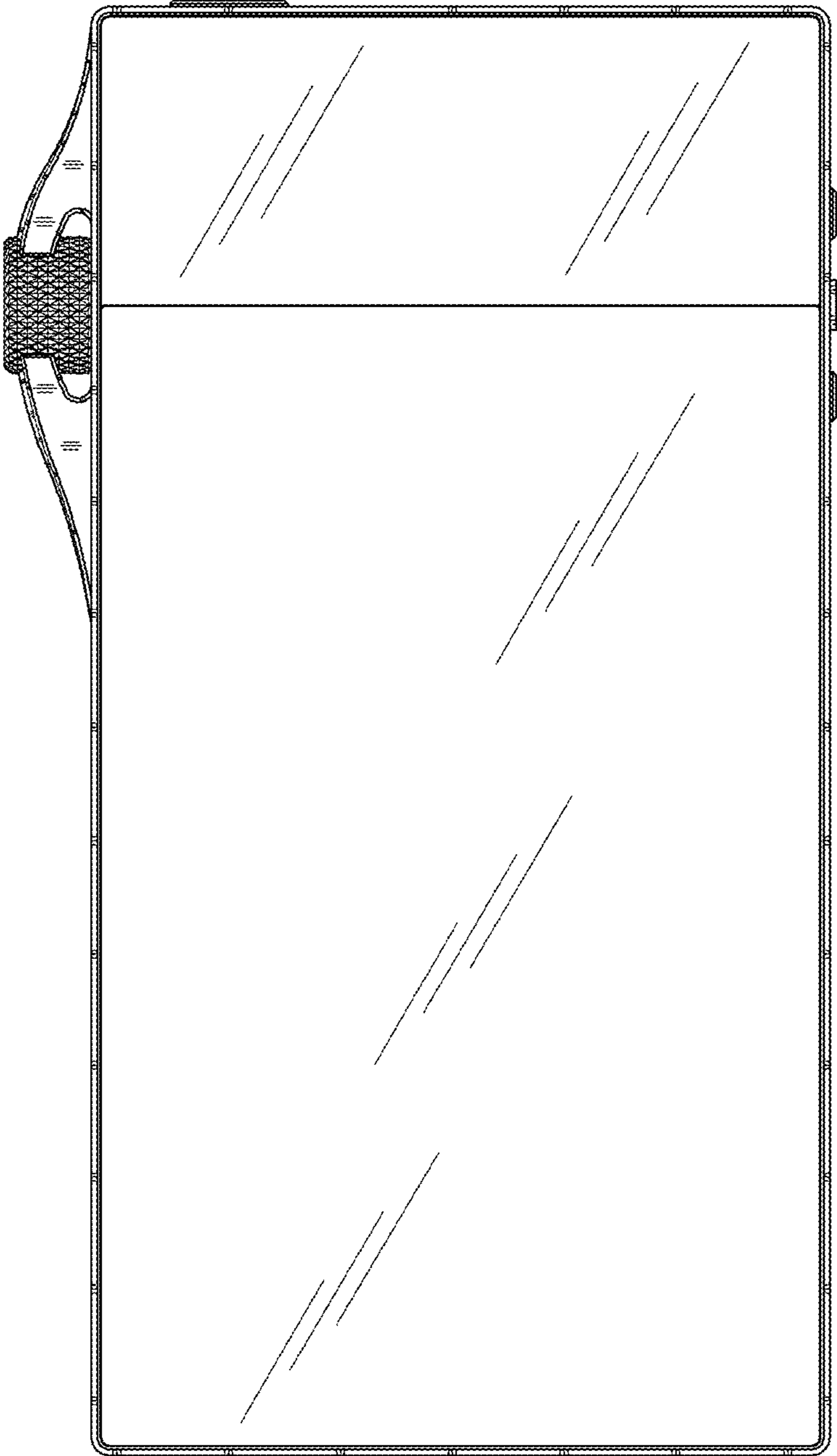


FIG. 5

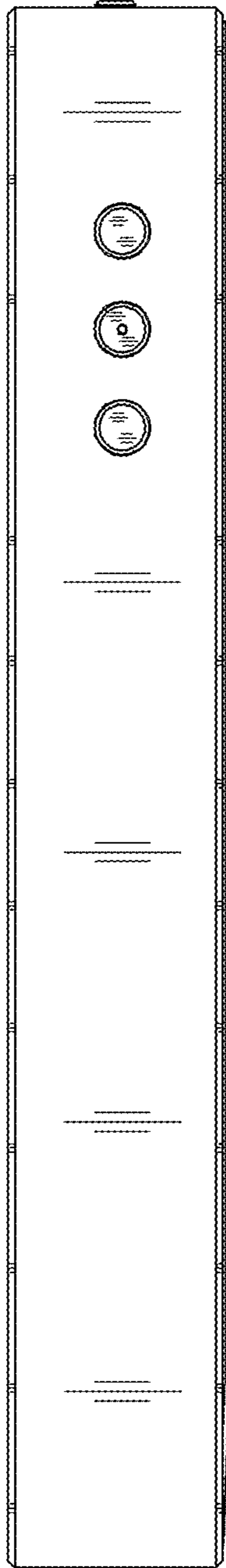


FIG. 6

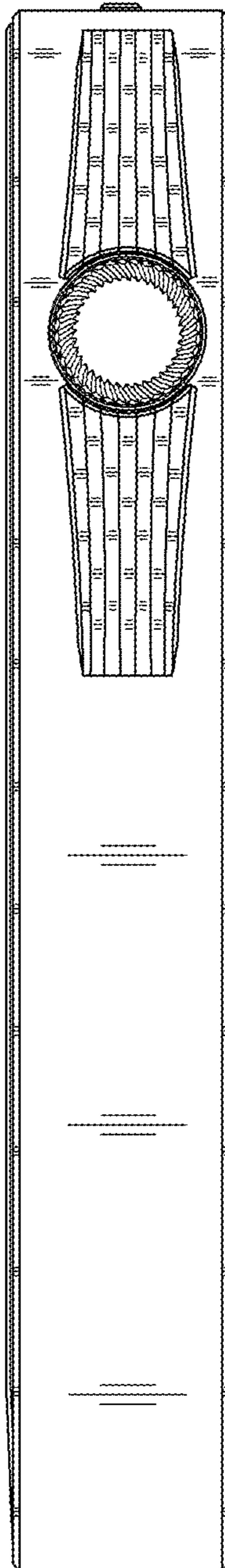


FIG. 7

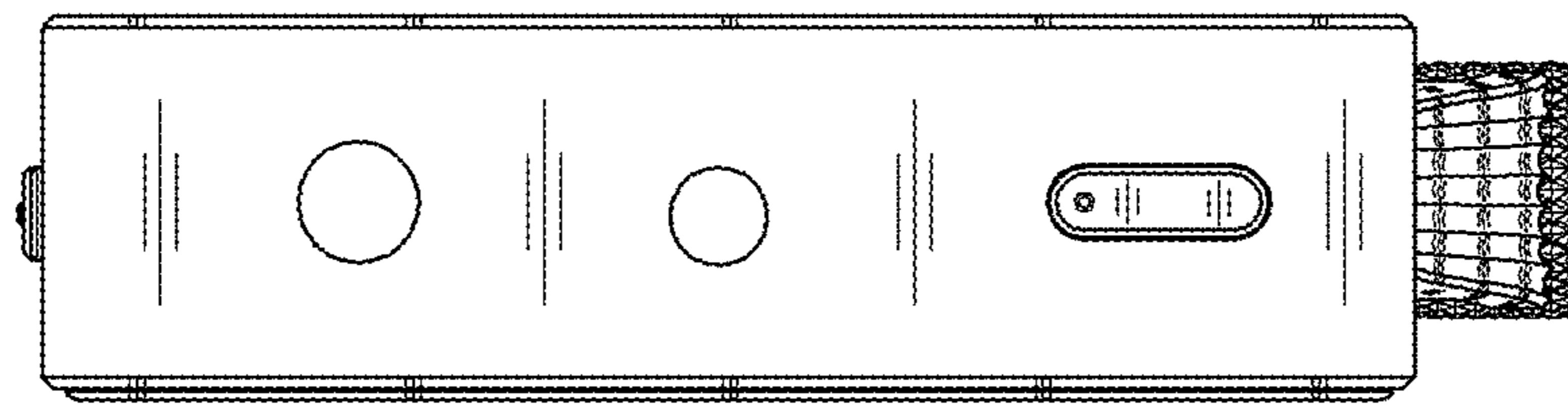


FIG. 8

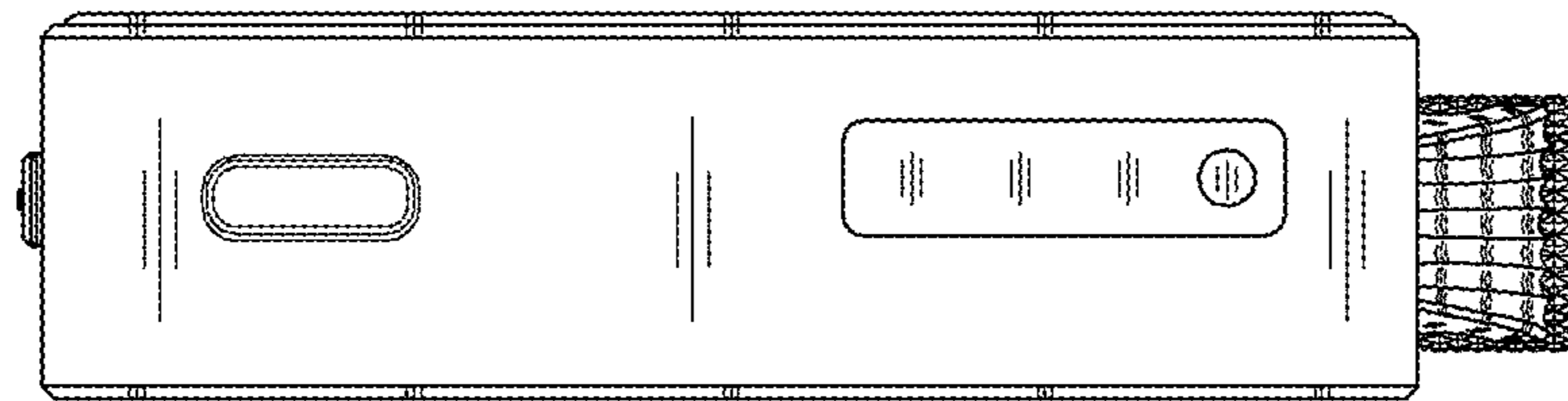


FIG. 9

