



US00D901431S

(12) **United States Design Patent** (10) **Patent No.:** **US D901,431 S**  
**Paterson et al.** (45) **Date of Patent:** **\*\* Nov. 10, 2020**

(54) **ELECTRONIC INPUT DEVICE**  
(71) Applicant: **Amazon Technologies, Inc.**, Seattle, WA (US)  
(72) Inventors: **Michael Edward James Paterson**, San Francisco, CA (US); **Giles David Matthew McWilliam**, San Francisco, CA (US); **Marc Rene Walliser**, San Francisco, CA (US)

D391,943 S 3/1998 Han  
D391,944 S 3/1998 Han  
D433,994 S \* 11/2000 Jobs ..... D13/110  
D515,516 S 2/2006 Mayo et al.  
D518,030 S \* 3/2006 Lin ..... D14/218  
D568,304 S 5/2008 Park  
D595,734 S \* 7/2009 Son ..... D14/203.2  
D598,003 S 8/2009 Park  
D601,564 S \* 10/2009 Maeno ..... D14/400  
D602,915 S \* 10/2009 Song ..... D14/218  
D607,347 S 1/2010 Goh et al.  
(Continued)

(73) Assignee: **Amazon Technologies, Inc.**, Seattle, WA (US)

(\*\*) Term: **15 Years**

(21) Appl. No.: **29/725,521**

(22) Filed: **Feb. 25, 2020**

**Related U.S. Application Data**

(62) Division of application No. 29/644,671, filed on Apr. 19, 2018, now Pat. No. Des. 878,325.

(51) **LOC (12) Cl.** ..... **14-03**

(52) **U.S. Cl.**  
USPC ..... **D14/203.1**; D14/496; D14/228;  
D14/357

(58) **Field of Classification Search**

USPC ..... D14/240, 242, 358, 351, 356, 357, 125,  
D14/155, 162, 167, 168, 172, 175, 188,  
D14/195, 203.1, 203.6, 203.8, 204, 209.1,  
D14/216, 217, 218, 228, 299, 496, 140,  
D14/142, 388, 238.1; D13/123, 124, 152,  
D13/158, 162, 162.1, 168, 173, 184, 199  
CPC . G06F 3/16; G06F 3/162; G06F 3/165; G06F  
3/167; G10L 15/07  
See application file for complete search history.

(56) **References Cited**

**U.S. PATENT DOCUMENTS**

D327,690 S 7/1992 Ogawa et al.  
D367,274 S 2/1996 Gobindram

**OTHER PUBLICATIONS**

Amazon, "Echo Input\_Bring Alexa to your own speaker", Jul. 22, 2019, <<https://www.amazon.com/Echo-Input-Bring-Aiexa-speaker/dp/B07BFRHZLB>>, 10 pages.

(Continued)

*Primary Examiner* — Marie D. Fast Horse

(74) *Attorney, Agent, or Firm* — Lee & Hayes, P.C.

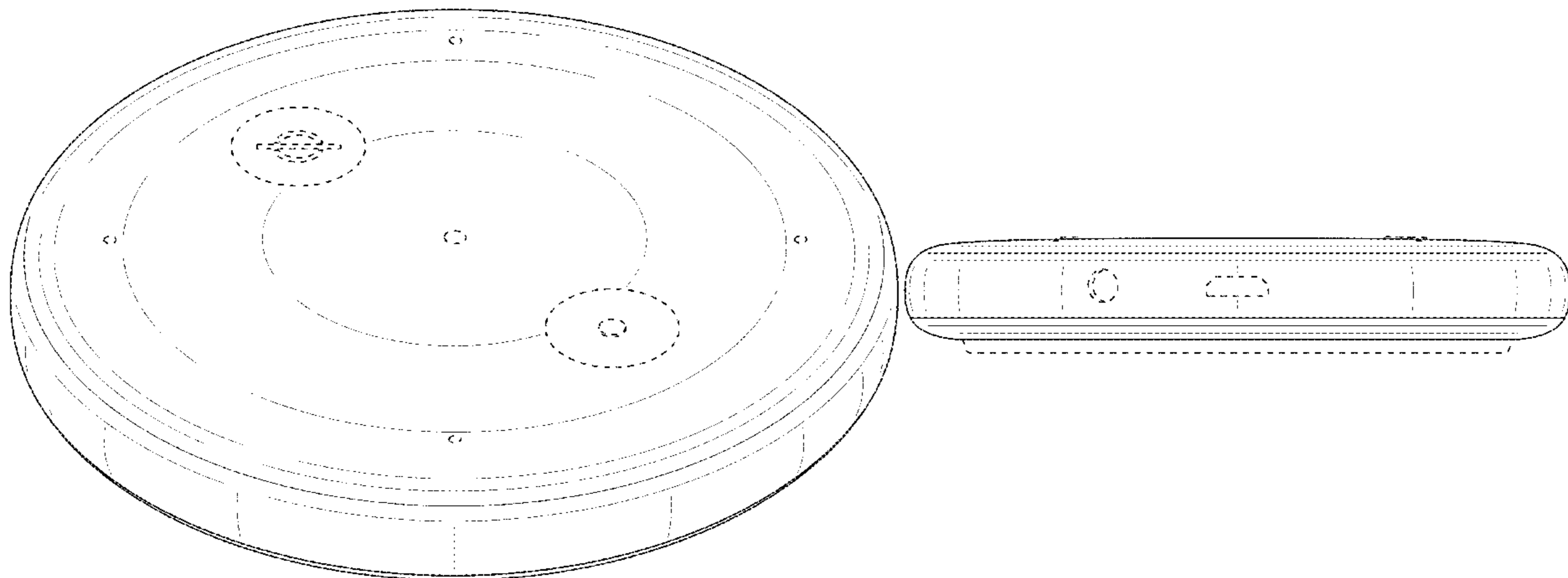
(57) **CLAIM**

The ornamental design for an electronic input device, as shown and described.

**DESCRIPTION**

FIG. 1 is a front perspective view of an electronic input device;  
FIG. 2 is a back perspective view thereof;  
FIG. 3 is a front view thereof;  
FIG. 4 is a back view thereof;  
FIG. 5 is a left-side view thereof;  
FIG. 6 is a right-side view thereof;  
FIG. 7 is a top view thereof; and,  
FIG. 8 is a bottom view thereof.  
The broken lines depict portions of the electronic input device that form no part of the claimed design.

**1 Claim, 8 Drawing Sheets**



(56)

References Cited

U.S. PATENT DOCUMENTS

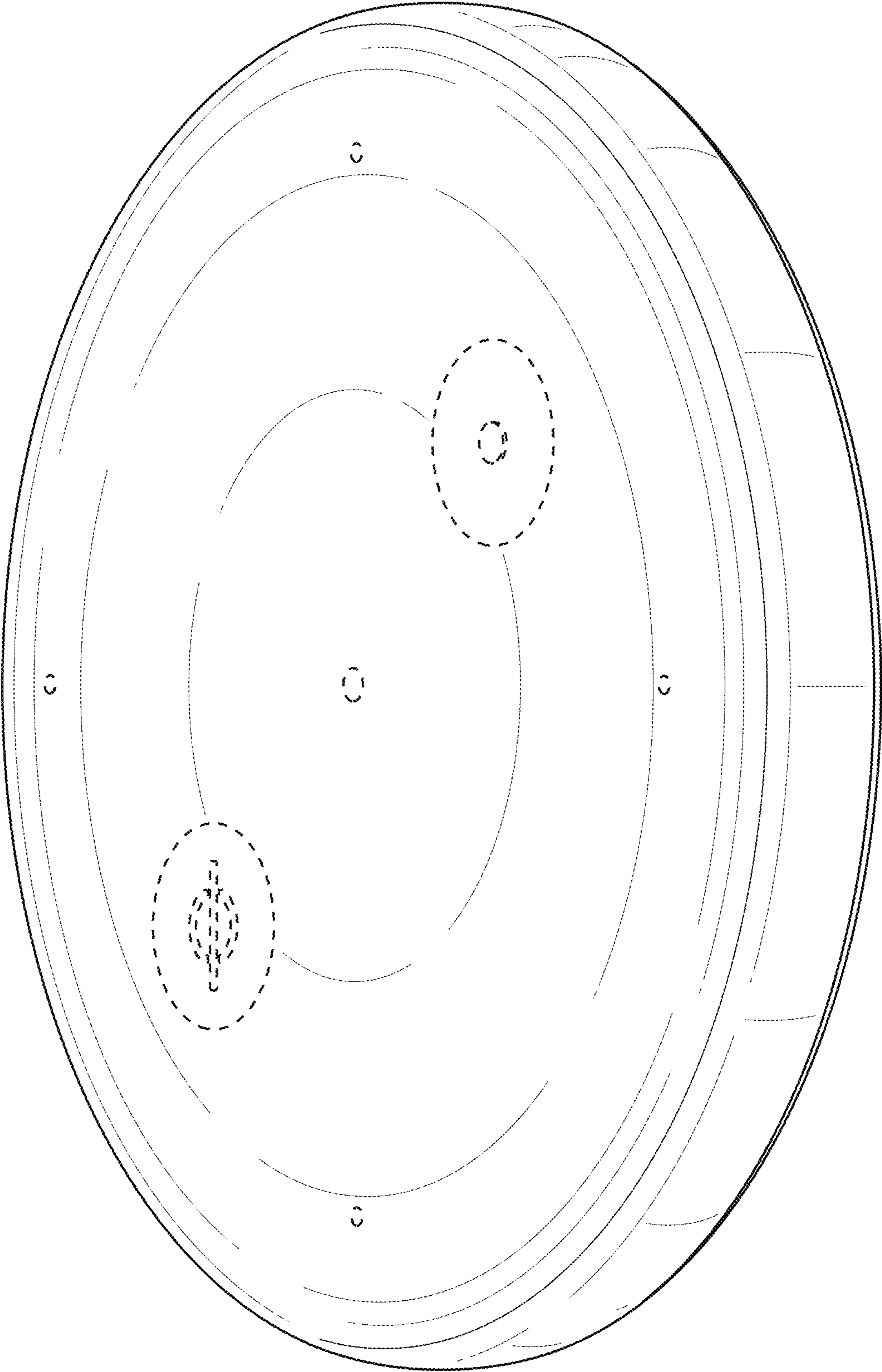
D612,361 S \* 3/2010 Wright ..... D14/203.1  
 D619,117 S \* 7/2010 Unruh ..... D14/203.6  
 D626,147 S \* 10/2010 Goddard ..... D14/496  
 D627,306 S 11/2010 Charleux  
 D636,760 S \* 4/2011 Cheng ..... D14/216  
 D643,412 S \* 8/2011 Brady ..... D14/218  
 D645,473 S \* 9/2011 Dangerfield ..... D14/203.3  
 D645,818 S 9/2011 Guccione et al.  
 D683,636 S \* 6/2013 Levanen ..... D10/70  
 D685,790 S \* 7/2013 Tang ..... D14/218  
 D686,187 S \* 7/2013 Dangerfield ..... D14/203.6  
 D731,334 S \* 6/2015 Fiedler ..... D10/70  
 D743,819 S \* 11/2015 Golnik ..... D10/70  
 D743,954 S 11/2015 Chuang et al.  
 D746,165 S 12/2015 Li  
 D746,166 S 12/2015 Li  
 D747,984 S \* 1/2016 Zhao ..... D10/52  
 D751,052 S \* 3/2016 Jones ..... D14/203.6  
 D752,531 S \* 3/2016 Xu ..... D14/125  
 D752,588 S 3/2016 Li  
 D755,750 S 5/2016 Chen  
 D756,955 S \* 5/2016 Wagner ..... D14/203.6  
 D757,587 S 5/2016 Li  
 D761,139 S \* 7/2016 Golnik ..... D10/103  
 D761,676 S \* 7/2016 Golnik ..... D10/103  
 D768,114 S \* 10/2016 Hou ..... D13/168  
 D768,631 S \* 10/2016 Epstein ..... D14/388  
 D770,417 S \* 11/2016 Chen ..... D14/216  
 D770,430 S 11/2016 Lee  
 D771,142 S \* 11/2016 Langhammer ..... D14/203.6  
 D771,600 S \* 11/2016 Hinokio ..... D14/228  
 D773,947 S \* 12/2016 Scarcella ..... D10/104.1  
 D778,875 S 2/2017 Lukic et al.  
 D781,919 S \* 3/2017 Beck ..... D14/496  
 D786,724 S \* 5/2017 Seagle, Jr. .... D10/106.1  
 D788,820 S \* 6/2017 Beck ..... D14/203.6  
 D792,468 S \* 7/2017 Langhammer ..... D14/203.3  
 D797,149 S 9/2017 Beck et al.  
 D797,807 S 9/2017 Mangum et al.  
 D802,589 S 11/2017 Fisher  
 D804,531 S 12/2017 Beck et al.  
 D804,533 S 12/2017 Mangum et al.  
 D805,926 S \* 12/2017 Im ..... D10/57

D806,711 S \* 1/2018 Sakaguchi ..... D14/388  
 D809,951 S 2/2018 Yang et al.  
 D815,149 S \* 4/2018 Langhammer ..... D14/496  
 D816,046 S \* 4/2018 Kiong ..... D13/162  
 D816,052 S \* 4/2018 Pallakoff ..... D14/137  
 D818,849 S \* 5/2018 Copparstad ..... D10/50  
 D818,853 S \* 5/2018 Golnik ..... D10/70  
 D820,238 S \* 6/2018 Boshernitzan ..... D14/218  
 D820,318 S \* 6/2018 Mullins ..... D14/496  
 D822,717 S \* 7/2018 Lim ..... D14/496  
 D826,205 S \* 8/2018 Langhammer ..... D14/203.6  
 D829,242 S \* 9/2018 Laine ..... D14/496  
 D830,327 S \* 10/2018 Jones ..... D14/155  
 D830,856 S \* 10/2018 Golnik ..... D10/30  
 D830,968 S \* 10/2018 Wang ..... D13/107  
 D834,560 S \* 11/2018 Hardi ..... D14/218  
 D834,567 S \* 11/2018 Snyder ..... D14/228  
 D843,238 S \* 3/2019 Rose ..... D10/50  
 D844,593 S \* 4/2019 Bould ..... D14/240  
 D848,398 S \* 5/2019 Huang ..... D14/216  
 D854,168 S \* 7/2019 He ..... D24/187  
 D855,040 S 7/2019 Fu et al.  
 D855,583 S 8/2019 Capecelatro et al.  
 D855,595 S 8/2019 Yang  
 D858,499 S 9/2019 Yang  
 D859,363 S 9/2019 Chalabi et al.  
 D859,364 S 9/2019 Chalabi et al.  
 D860,198 S 9/2019 Engwall et al.  
 D862,417 S 10/2019 Chalabi et al.  
 D864,163 S 10/2019 Lindof  
 D864,961 S \* 10/2019 Sakaguchi ..... D14/388  
 D878,325 S \* 3/2020 Paterson ..... D14/203.1  
 D885,367 S \* 5/2020 Guo ..... D14/216

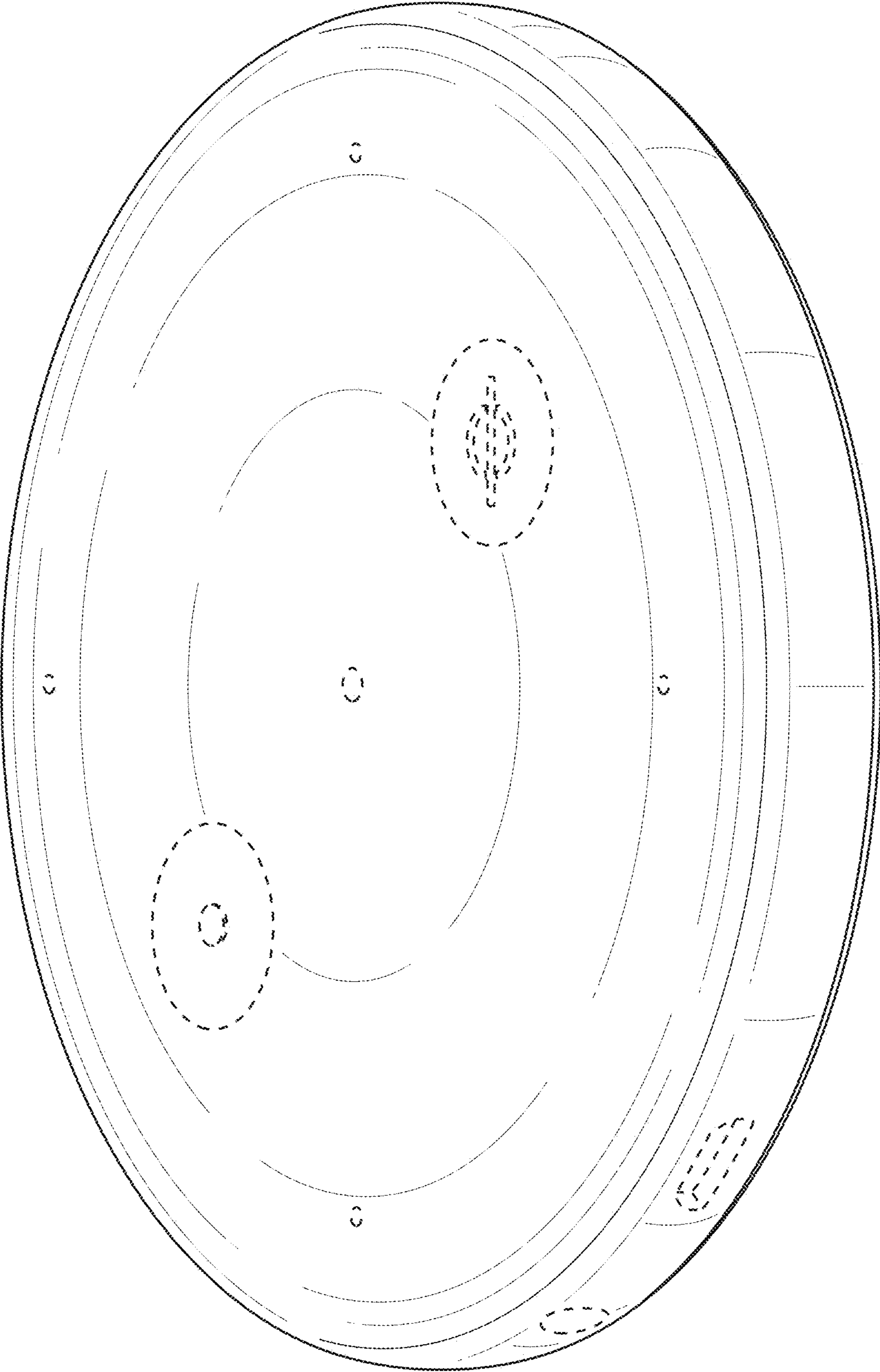
OTHER PUBLICATIONS

The Canadian Office Action dated Jul. 3, 2019 for Candian Patent Application No. 183896, 1 page.  
 Cnet, "Ankers new Alexa smart speaker is a dirt-cheap Echo Dot.", Jul. 22, 2019, «<https://www.cnet.com/reviews/eufy-genie-preview/>», 3 pages.  
 Non Final Office Action dated Jul. 29, 2019 for U.S. Appl. 29/644,671 "Electronic Device" Paterson, 5 pages.

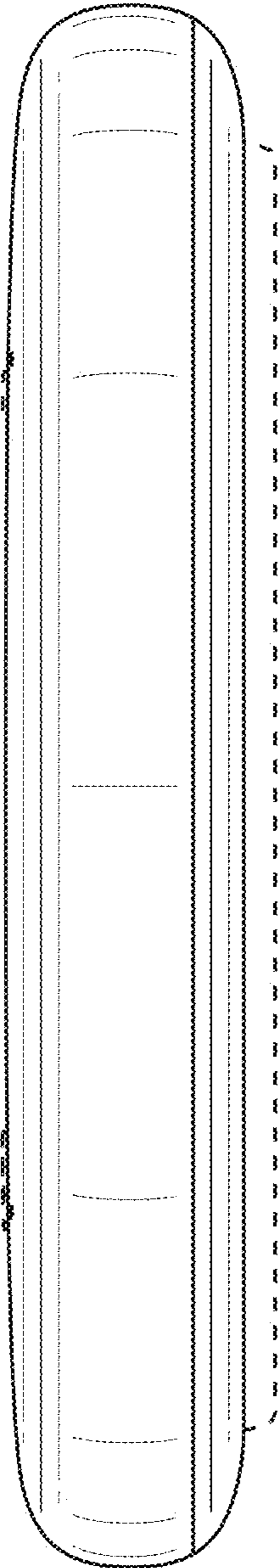
\* cited by examiner



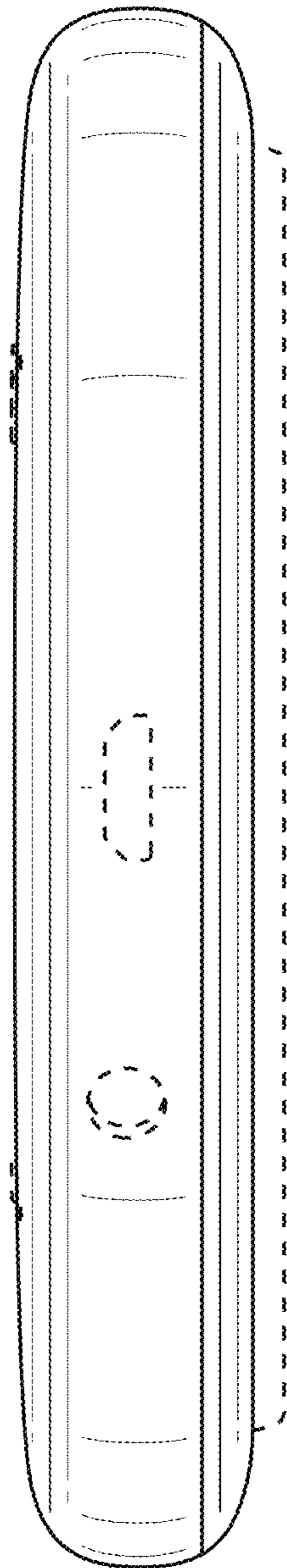
**FIG. 1**



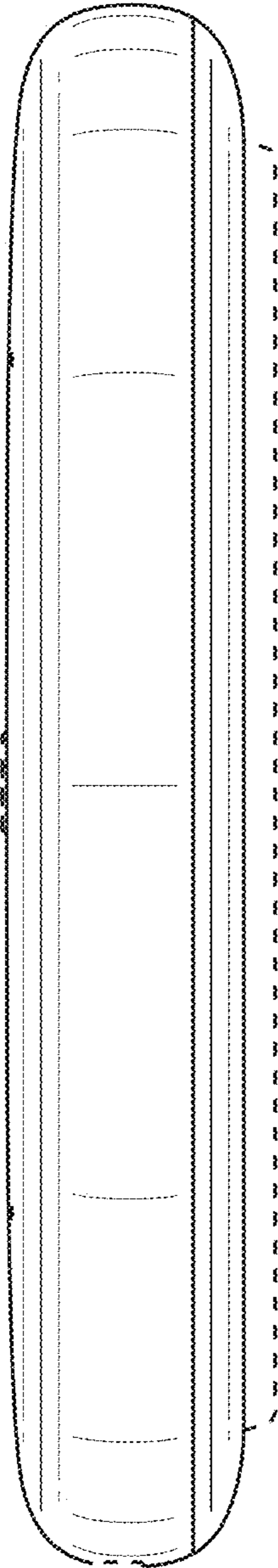
**FIG. 2**



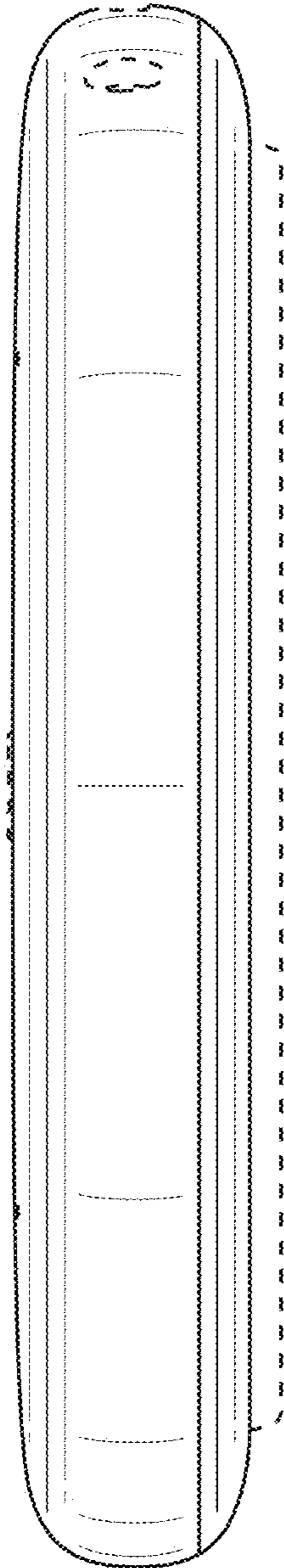
**FIG. 3**



**FIG. 4**

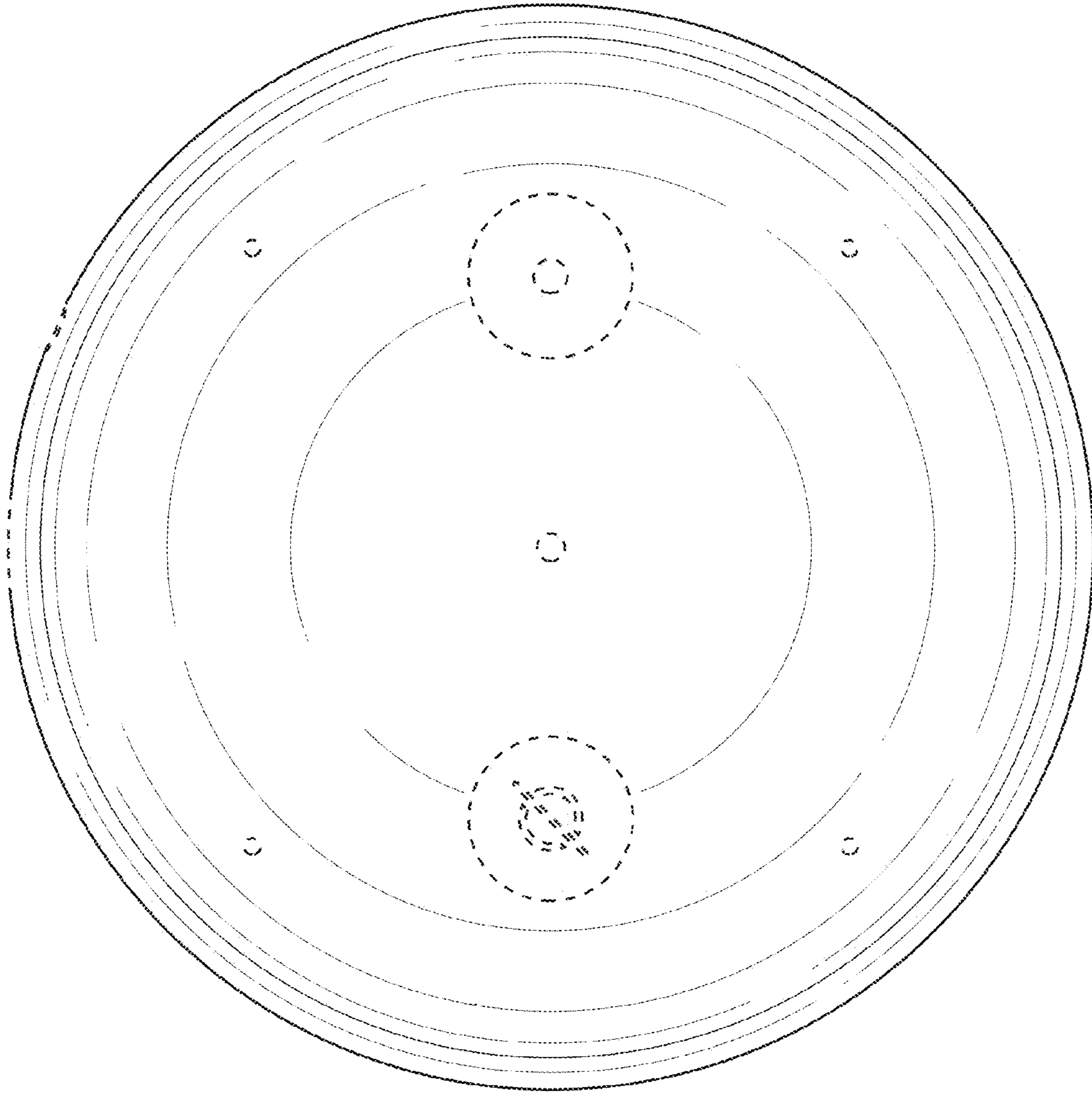


**FIG. 5**

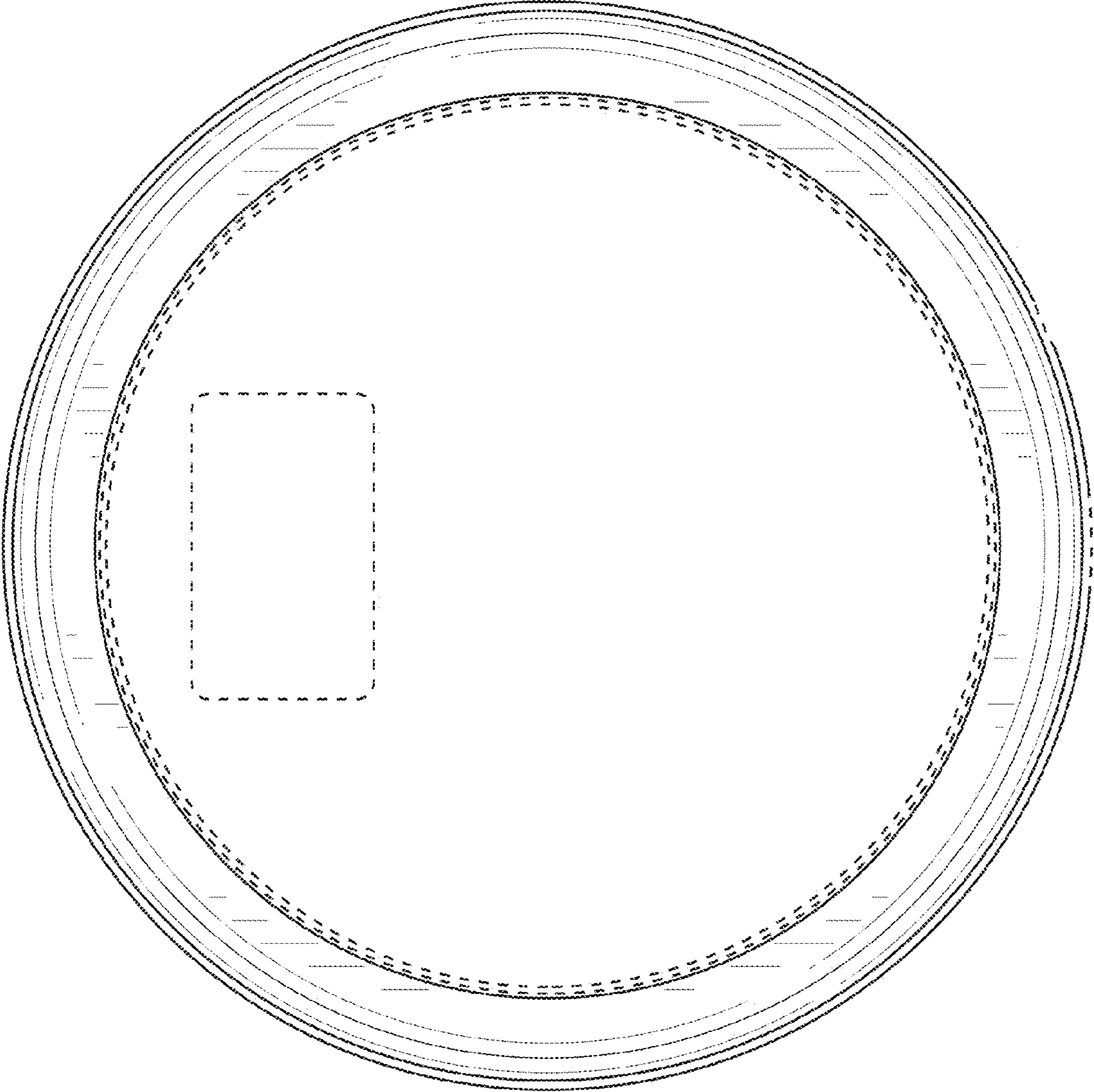


**FIG. 6**





**FIG. 7**



**FIG. 8**