



US00D901430S

(12) **United States Design Patent**
Peng

(10) **Patent No.:** **US D901,430 S**

(45) **Date of Patent:** **** Nov. 10, 2020**

(54) **PHONOGRAPH**

D250,334 S * 11/1978 Meunier G11B 33/02
D14/203

(71) Applicant: **WINWIN INTERNATIONAL
TRADE LIMITED**, Hong Kong (HK)

D279,371 S * 6/1985 Arrington D14/202
D822,993 S * 7/2018 Chen G11B 33/02
D14/201

(72) Inventor: **Wenhui Peng**, Hong Kong (HK)

OTHER PUBLICATIONS

(73) Assignee: **WINWIN INTERNATIONAL
TRADE LIMITED**, Hong Kong (HK)

lbyOne portable turntable, published 1995. <https://knowtechie.com/review-lbyone-portable-turntable-built-speakers/45423/?amp=1>*

(**) Term: **15 Years**

* cited by examiner

(21) Appl. No.: **29/680,666**

Primary Examiner — Sandra L Morris

(22) Filed: **Feb. 19, 2019**

(74) *Attorney, Agent, or Firm* — Law Offices of Steven W. Weinrieb

(51) **LOC (12) Cl.** **14-01**

(57) **CLAIM**

(52) **U.S. Cl.**
USPC **D14/202; D14/203**

The ornamental design for a phonograph, as shown and described.

(58) **Field of Classification Search**
USPC D14/199–203, 261; 369/264–265
CPC B60R 11/02; B60K 37/04; B60K 37/06;
H04B 1/08; H04B 1/082; G11B 17/16;
G11B 23/00; G11B 19/16; G11B 33/02
See application file for complete search history.

DESCRIPTION

(56) **References Cited**

U.S. PATENT DOCUMENTS

1,278,440 A * 9/1918 Corley G11B 33/02
D14/201
D198,937 S * 8/1964 Kitts D14/201
D201,206 S * 5/1965 Funk D14/201
3,268,229 A * 8/1966 Funk G11B 33/02
D14/201
D229,574 S * 12/1973 Martin D14/201
D250,333 S * 11/1978 Meunier D14/203

FIG. 1 is a front, right side, top perspective view of a phonograph showing my new design;
FIG. 2 is a rear left side, bottom perspective view thereof;
FIG. 3 is a front elevational view thereof;
FIG. 4 is a rear elevational view thereof;
FIG. 5 is a left side elevational view thereof;
FIG. 6 is a right side elevational view thereof;
FIG. 7 is a top plan view thereof;
FIG. 8 is a bottom plan view thereof; and,
FIG. 9 is a front, right side, top perspective view thereof with the lid in fully closed position.

The broken lines immediately adjacent to the claimed portions are boundaries, all other broken lines are environmental structures; all the broken lines form no part of the claimed design.

1 Claim, 9 Drawing Sheets





FIG. 1

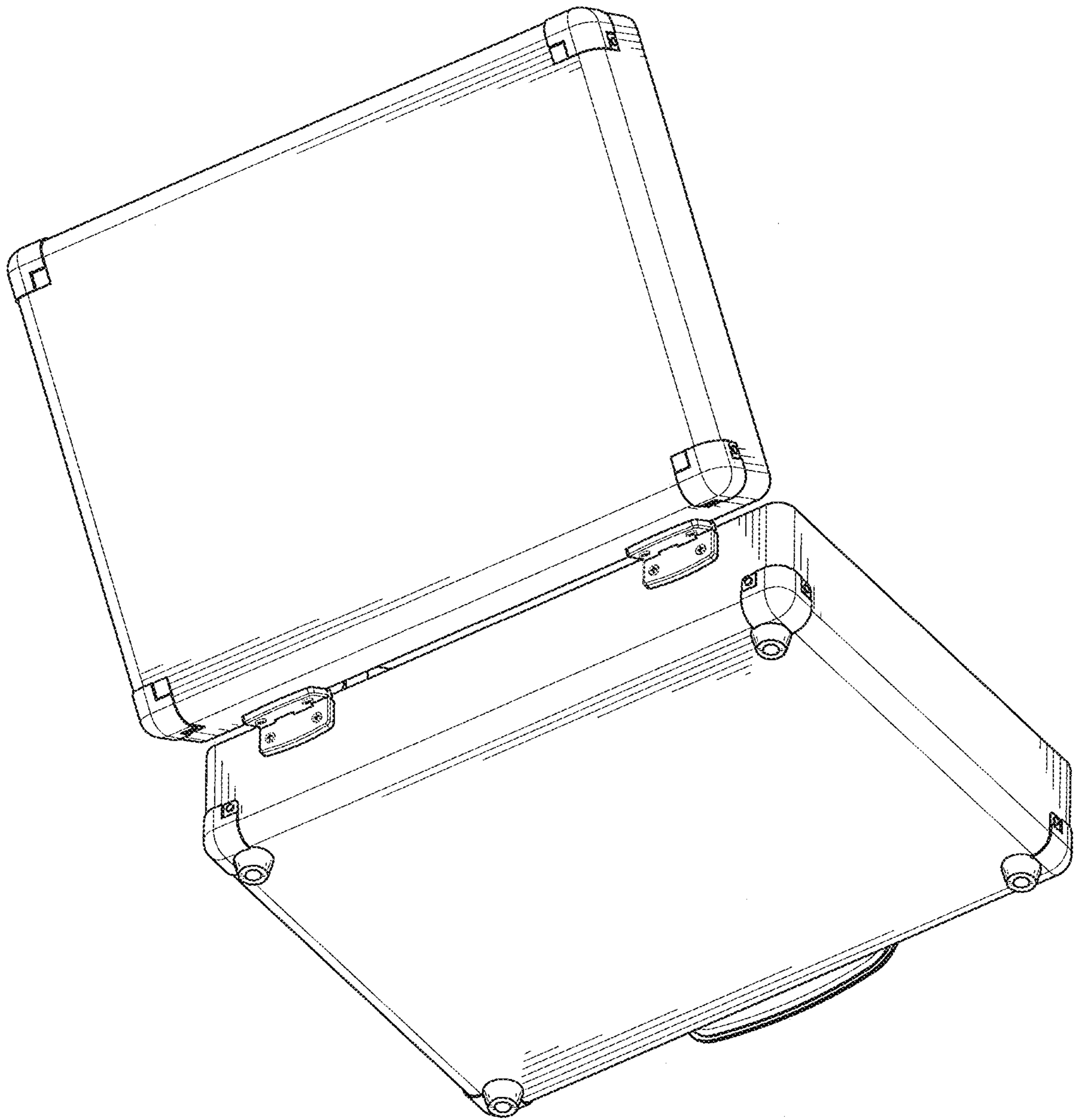


FIG. 2

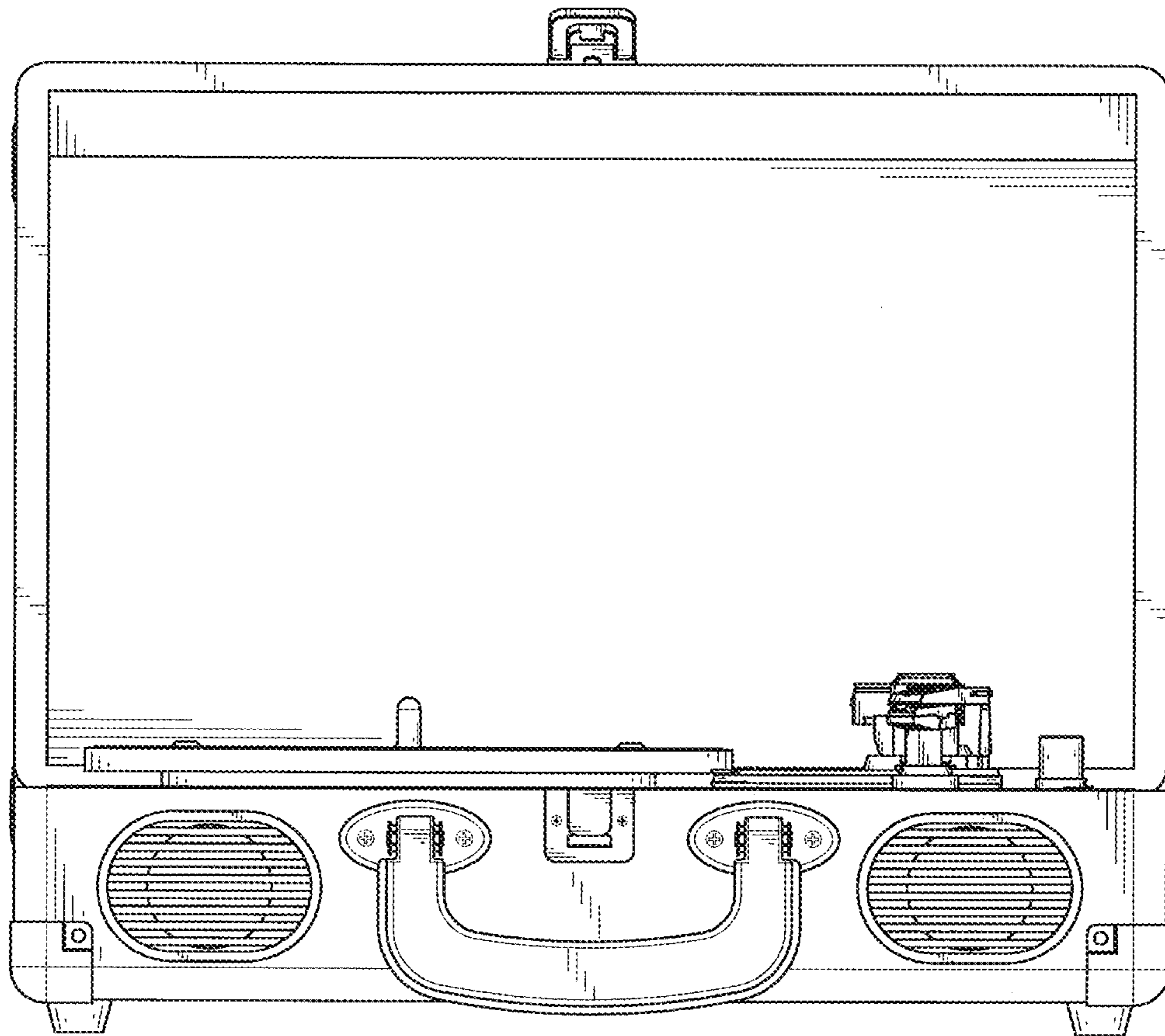


FIG. 3

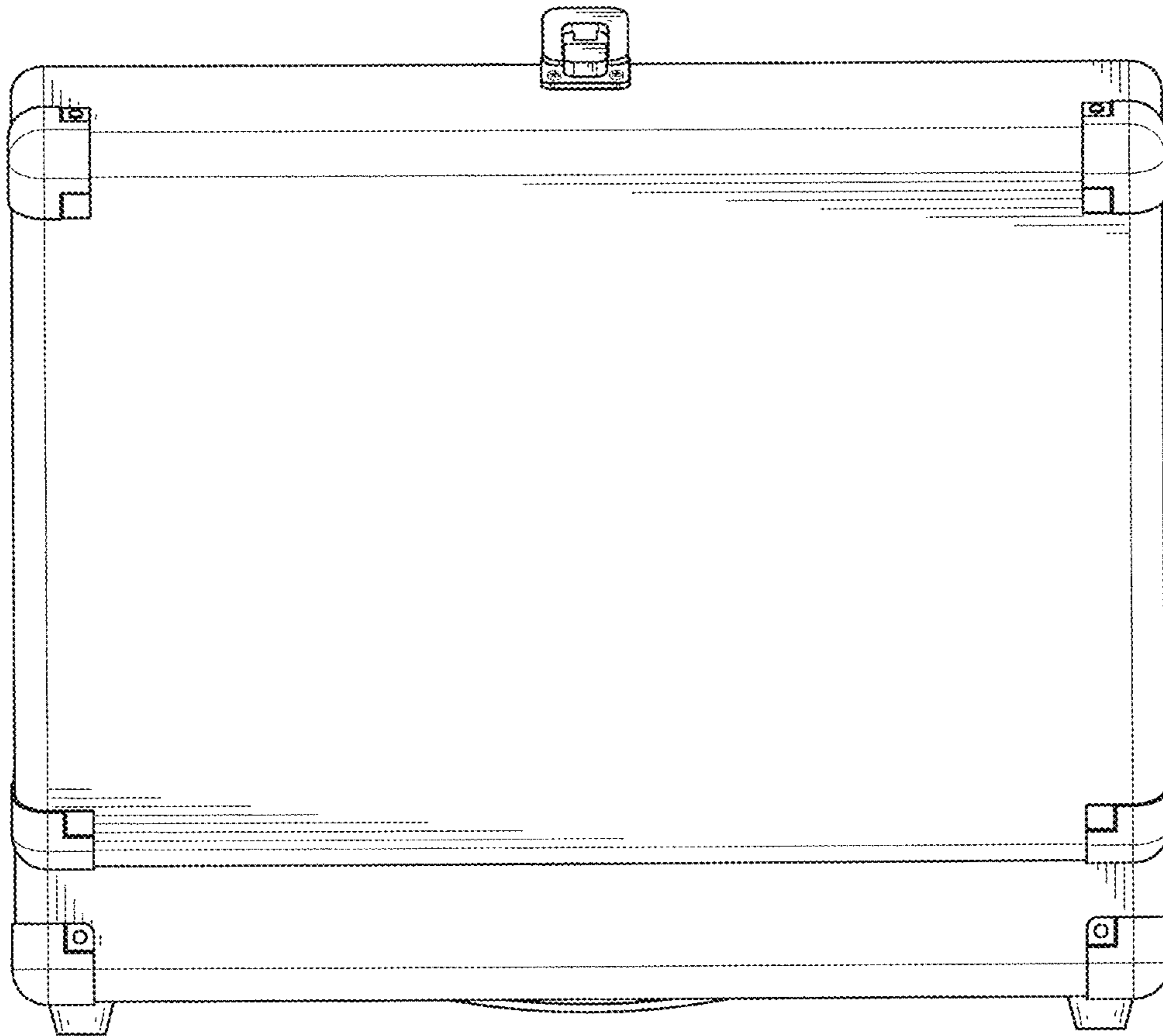


FIG. 4

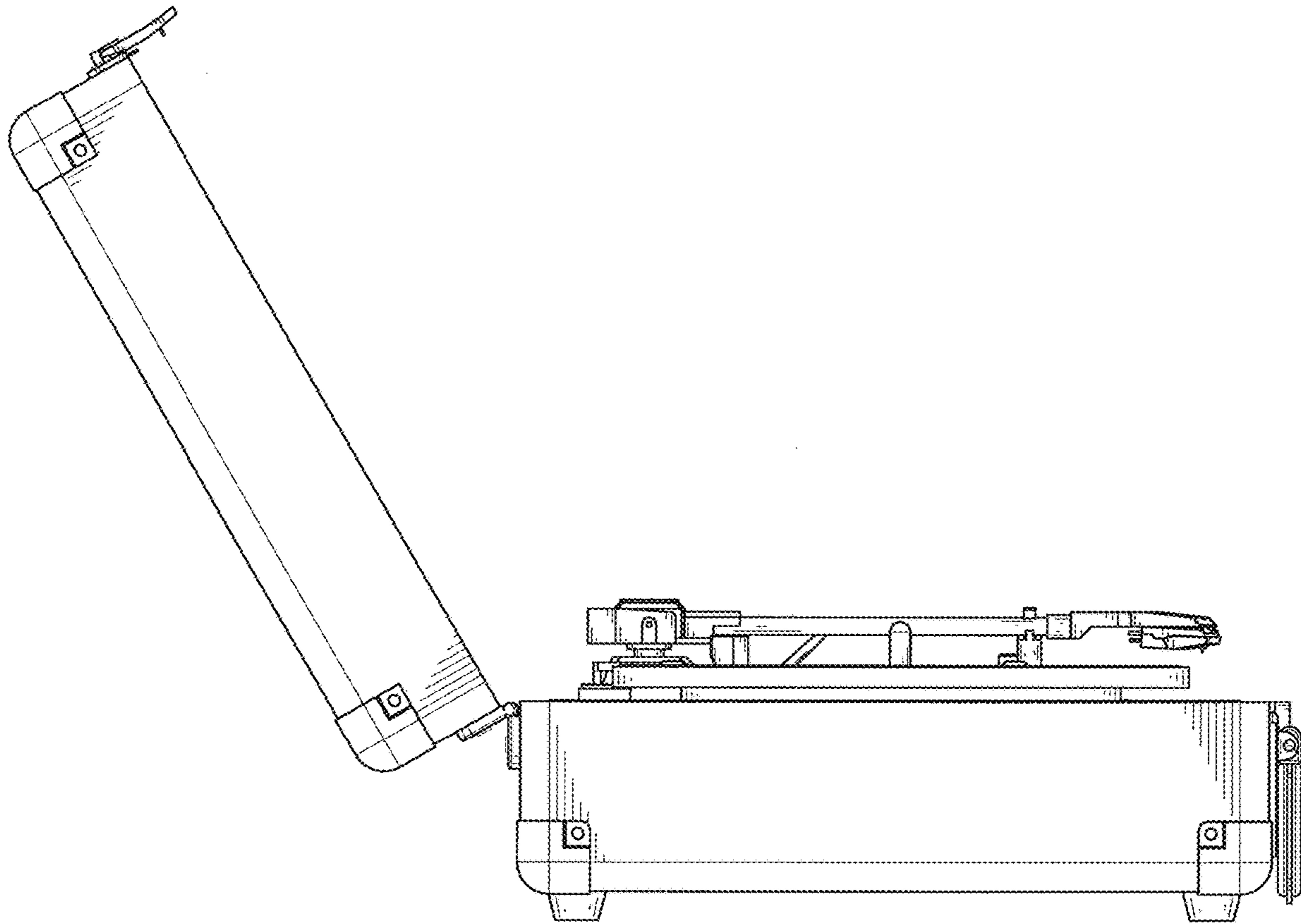


FIG. 5

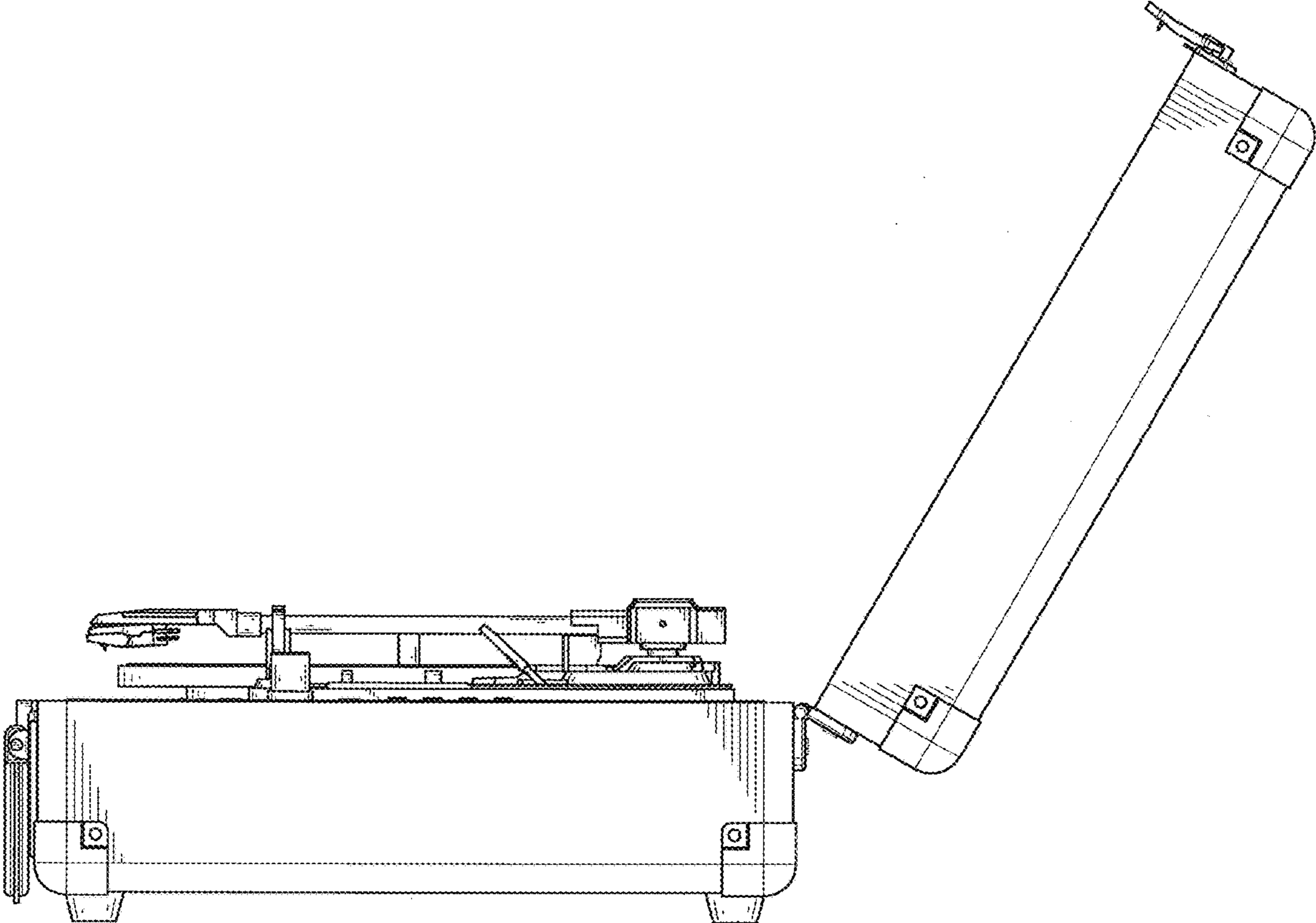


FIG. 6

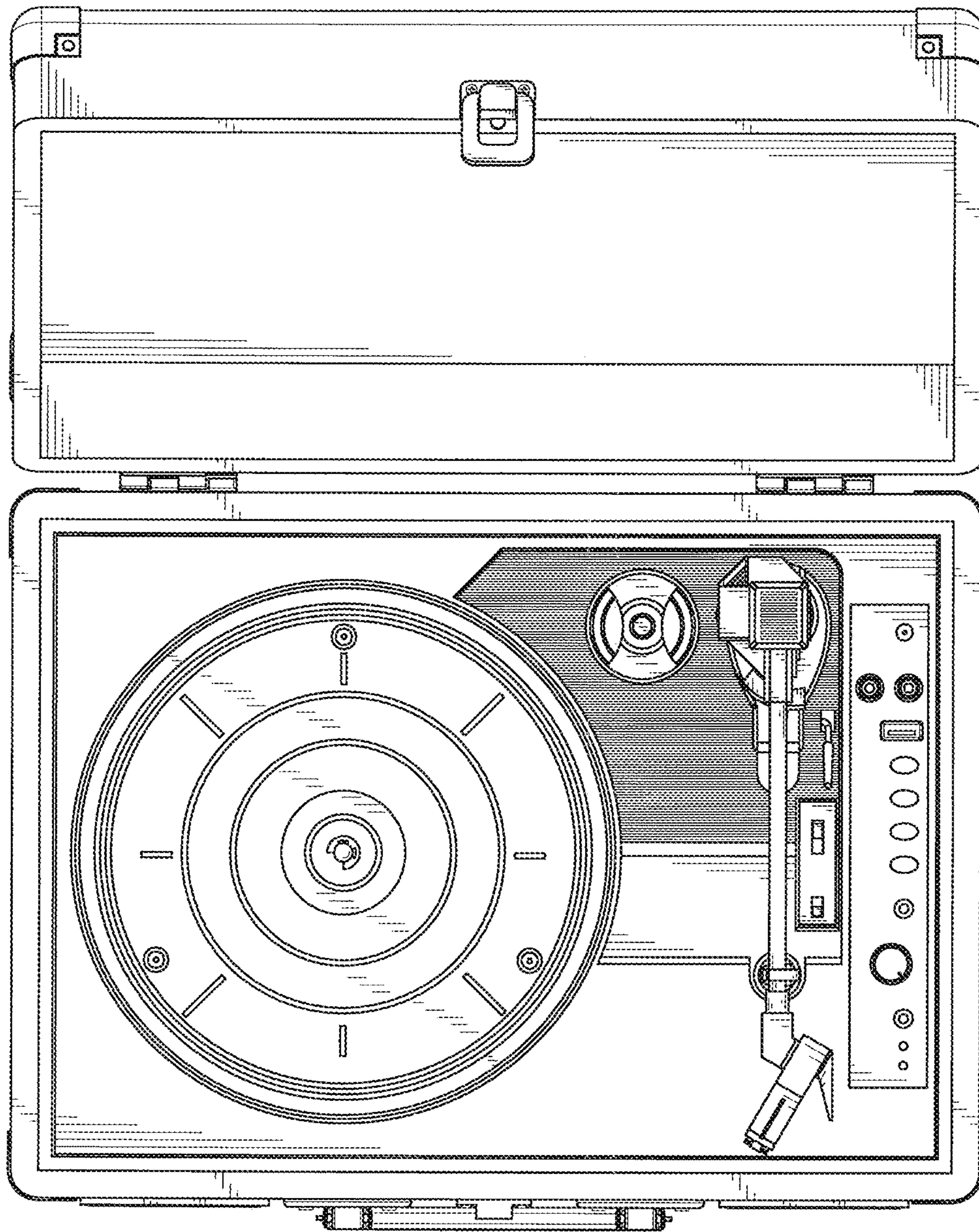


FIG. 7

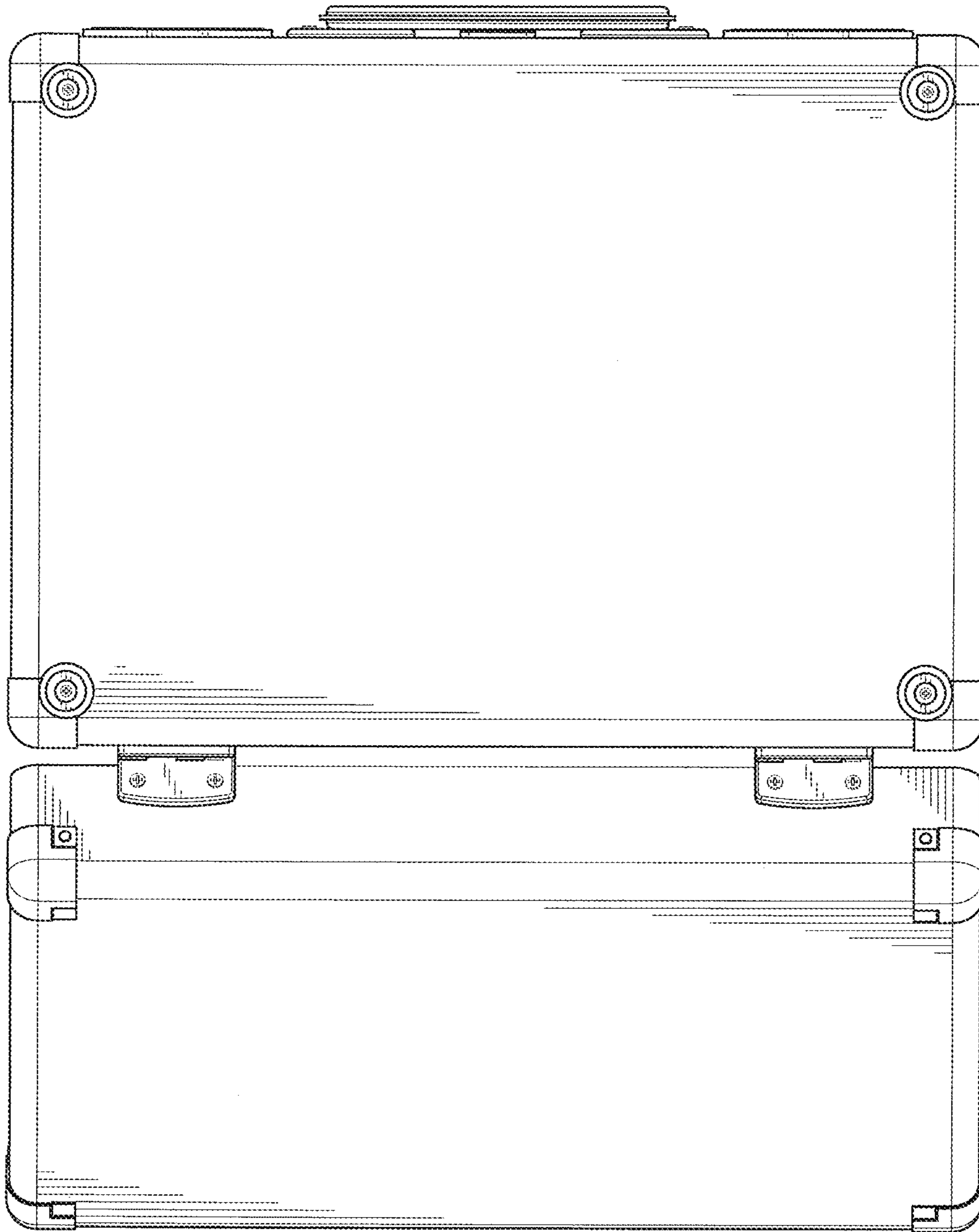


FIG. 8

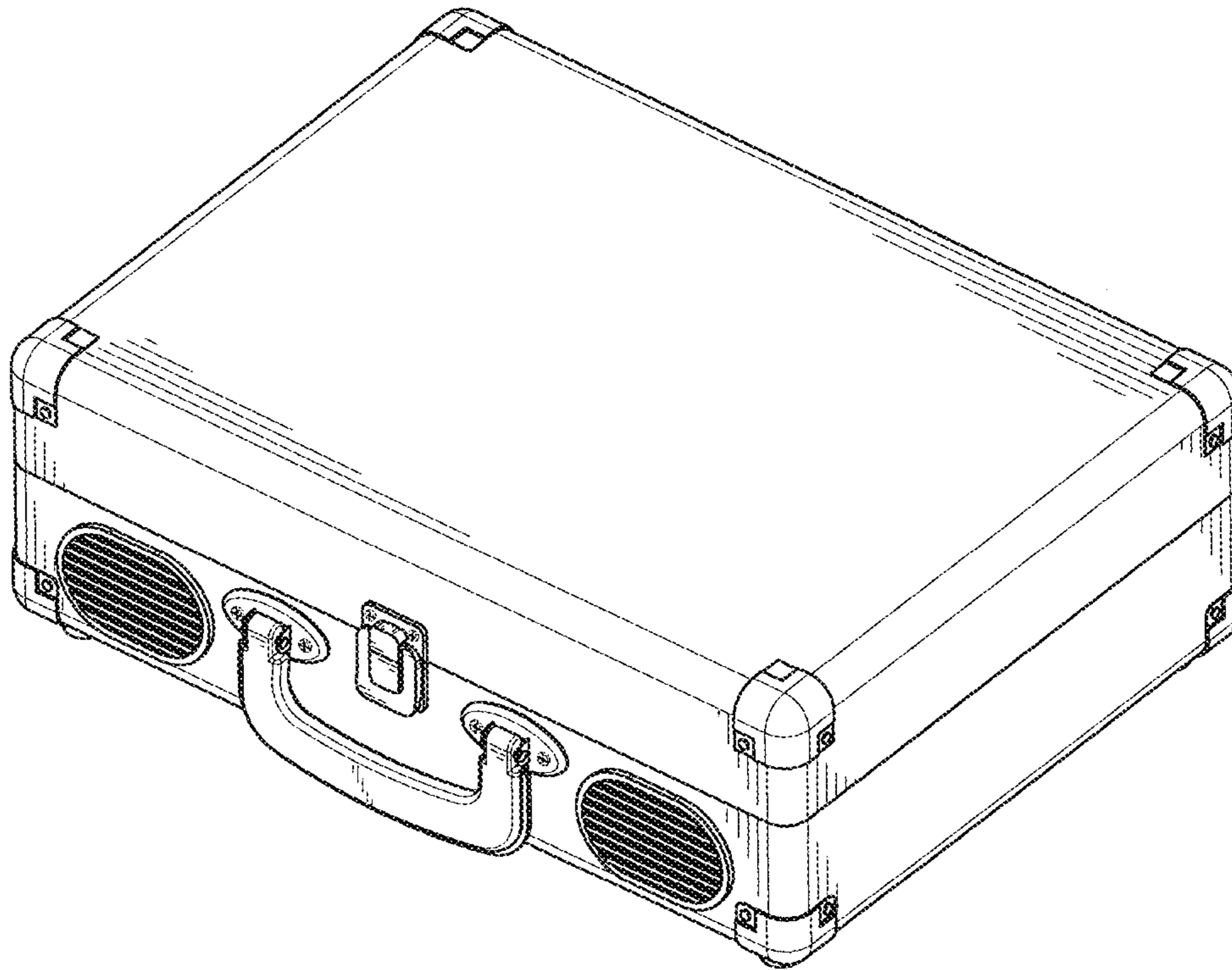


FIG. 9