



US00D901429S

(12) **United States Design Patent**
Bentley

(10) **Patent No.:** **US D901,429 S**

(45) **Date of Patent:** **** Nov. 10, 2020**

- (54) **SPEAKER TOP**
- (71) Applicant: **SPEAKERBRA INC.**, Toronto (CA)
- (72) Inventor: **Victoria Bentley**, Toronto (CA)
- (73) Assignee: **SPEAKERBRA INC.**, Toronto (CA)
- (**) Term: **15 Years**
- (21) Appl. No.: **29/686,813**
- (22) Filed: **Apr. 8, 2019**

- 4,183,097 A * 1/1980 Mellian F41H 1/02
2/2.5
- 4,398,538 A * 8/1983 Johnson A41C 3/08
2/67
- 4,500,019 A * 2/1985 Curley, Jr. A45F 5/00
224/222
- 4,539,700 A * 9/1985 Sato H04R 5/023
224/230
- 4,578,821 A * 4/1986 Zufle F41H 1/02
2/106
- 4,583,544 A * 4/1986 Flanagan A41C 3/0057
2/67
- 4,589,134 A * 5/1986 Waldron H04R 5/02
381/301
- D300,382 S * 3/1989 Keithan D2/708

(Continued)

Related U.S. Application Data

- (62) Division of application No. 29/609,339, filed on Jun. 29, 2017, now Pat. No. Des. 849,711.
- (51) **LOC (12) Cl.** **14-01**
- (52) **U.S. Cl.**
USPC **D14/192; D14/207**
- (58) **Field of Classification Search**
USPC D14/192, 207, 496, 203.5, 203.7, 189,
D14/172, 204; D3/216, 218; 2/94, 69,
2/102, 115, 243.1; 224/249; 455/90.3,
455/575.1, 569.1
CPC H04R 1/02; H04R 5/00; H04R 5/02; A41C
1/06; A41C 3/02; A41C 3/00; A41C
3/0057
See application file for complete search history.

Primary Examiner — Paula Allen Greene

(74) *Attorney, Agent, or Firm* — Hill & Schumacher

(57) **CLAIM**

The ornamental design for a speaker top, as shown and described.

DESCRIPTION

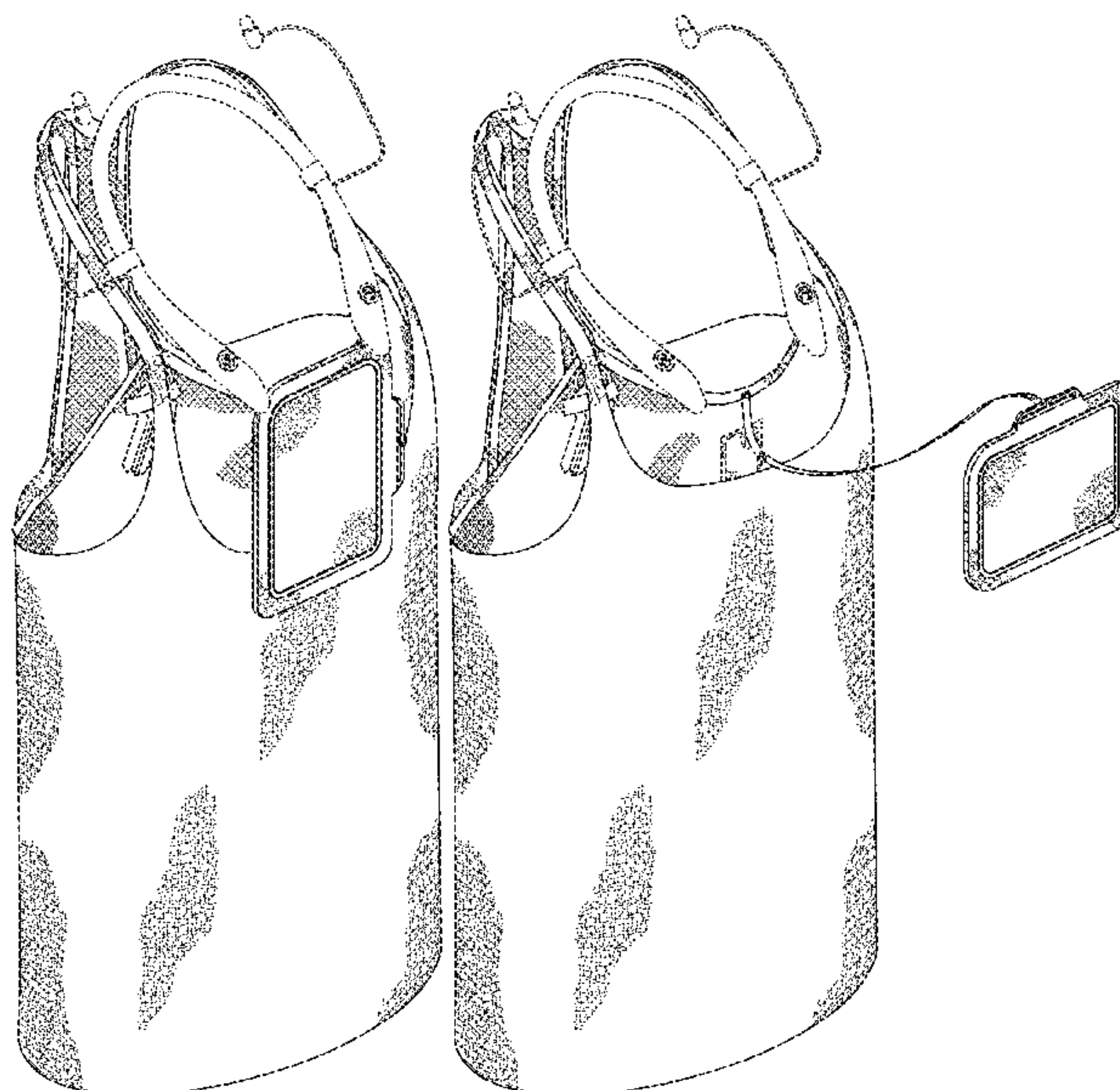
FIG. 1 is a perspective view of one embodiment of a speaker top showing my design;
 FIG. 2 is a front elevation view thereof;
 FIG. 3 is a top plan view thereof;
 FIG. 4 is bottom plan view thereof;
 FIG. 5 is a rear elevation view thereof;
 FIG. 6 is a right side view thereof;
 FIG. 7 is a left side view thereof; and,
 FIG. 8 is a perspective view showing an alternate position of an element of the design thereof.
 The broken lines in the drawing views are included for the purpose of illustrating portions of the speaker top that do not form part of the claimed design. The shading used in the drawings does not form any part of the claimed design.

1 Claim, 7 Drawing Sheets

(56) **References Cited**

U.S. PATENT DOCUMENTS

- 2,439,097 A * 4/1948 Pierce A41D 13/1245
2/113
- 2,676,738 A * 4/1954 Herrick A45F 3/14
224/638
- 2,688,752 A * 9/1954 Sbarra A41B 9/00
2/113
- 4,070,553 A * 1/1978 Hass H04M 1/05
381/151



(56)

References Cited

U.S. PATENT DOCUMENTS

4,825,471 A * 5/1989 Jennings A41D 1/002
 2/115
 5,621,914 A * 4/1997 Ramone A41D 13/015
 2/115
 5,708,978 A * 1/1998 Johnsrud A41D 13/1245
 2/102
 6,110,000 A * 8/2000 Ting A63H 3/28
 446/175
 6,162,111 A * 12/2000 Heroff A41C 3/08
 2/69
 D460,432 S * 7/2002 Brown D14/192
 D529,896 S * 10/2006 Anderson D14/189
 D616,417 S * 5/2010 Liao D14/203.5
 D658,352 S * 5/2012 Pinner D2/706
 D671,296 S * 11/2012 Iamartino D2/708
 8,465,341 B2 * 6/2013 Shashy A41C 3/0057
 450/39
 D735,970 S * 8/2015 Congdon D2/708

D759,957 S * 6/2016 Willows D3/218
 9,480,287 B2 * 11/2016 Black A41C 3/0057
 D773,433 S * 12/2016 Spasojevic H04R 1/1016
 D14/192
 D774,751 S * 12/2016 Pomerantz D3/218
 D798,535 S * 10/2017 McManus D2/708
 D816,636 S * 5/2018 Birger D14/205
 D822,380 S * 7/2018 McBrayer D3/218
 D831,334 S * 10/2018 Alexiou D3/218
 D849,711 S * 5/2019 Bentley D14/192
 10,334,889 B2 * 7/2019 Hensel A41D 1/215
 2008/0032600 A1 * 2/2008 Updyke A41C 3/0057
 450/89
 2010/0005569 A1 * 1/2010 Sanders A41C 3/0057
 2/400
 2012/0122370 A1 * 5/2012 Heath A41C 3/0057
 450/80
 2013/0225042 A1 * 8/2013 Ave G09F 3/00
 450/1
 2014/0317823 A1 * 10/2014 Hanson A41D 15/005
 2/69

* cited by examiner

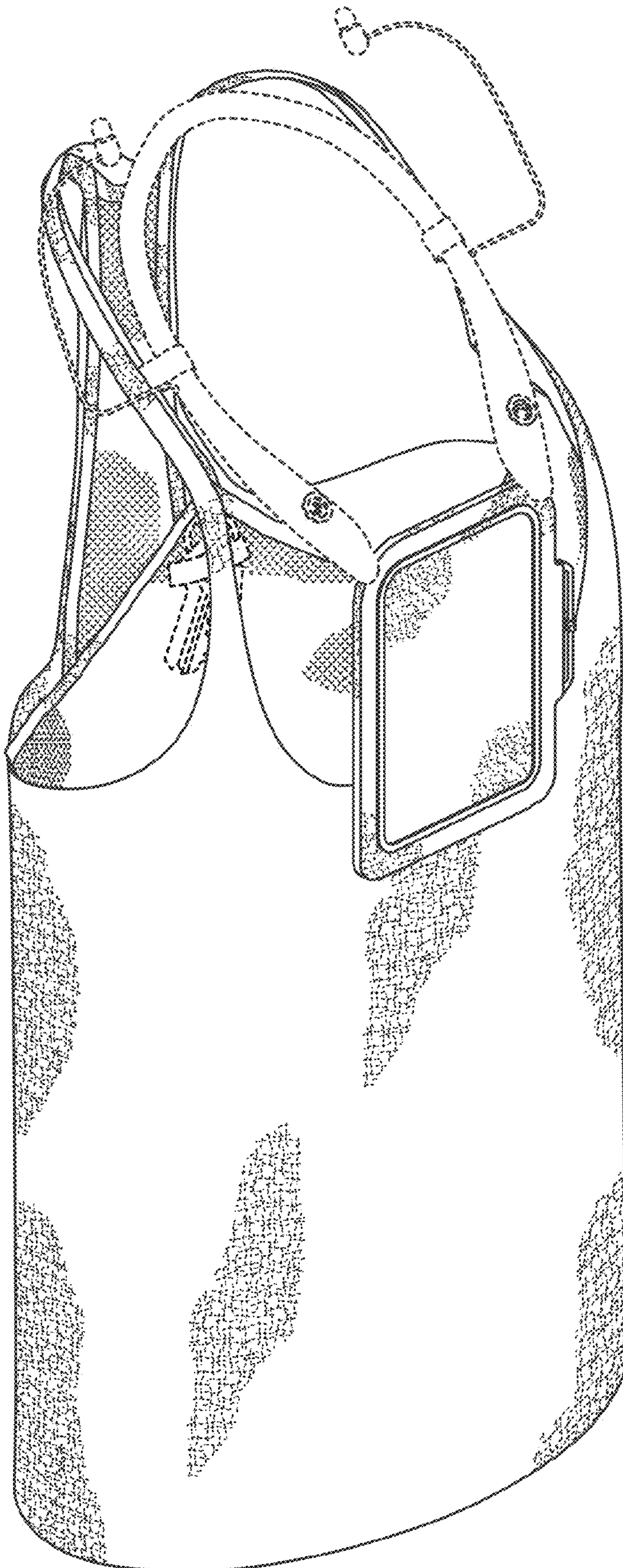


FIG. 1

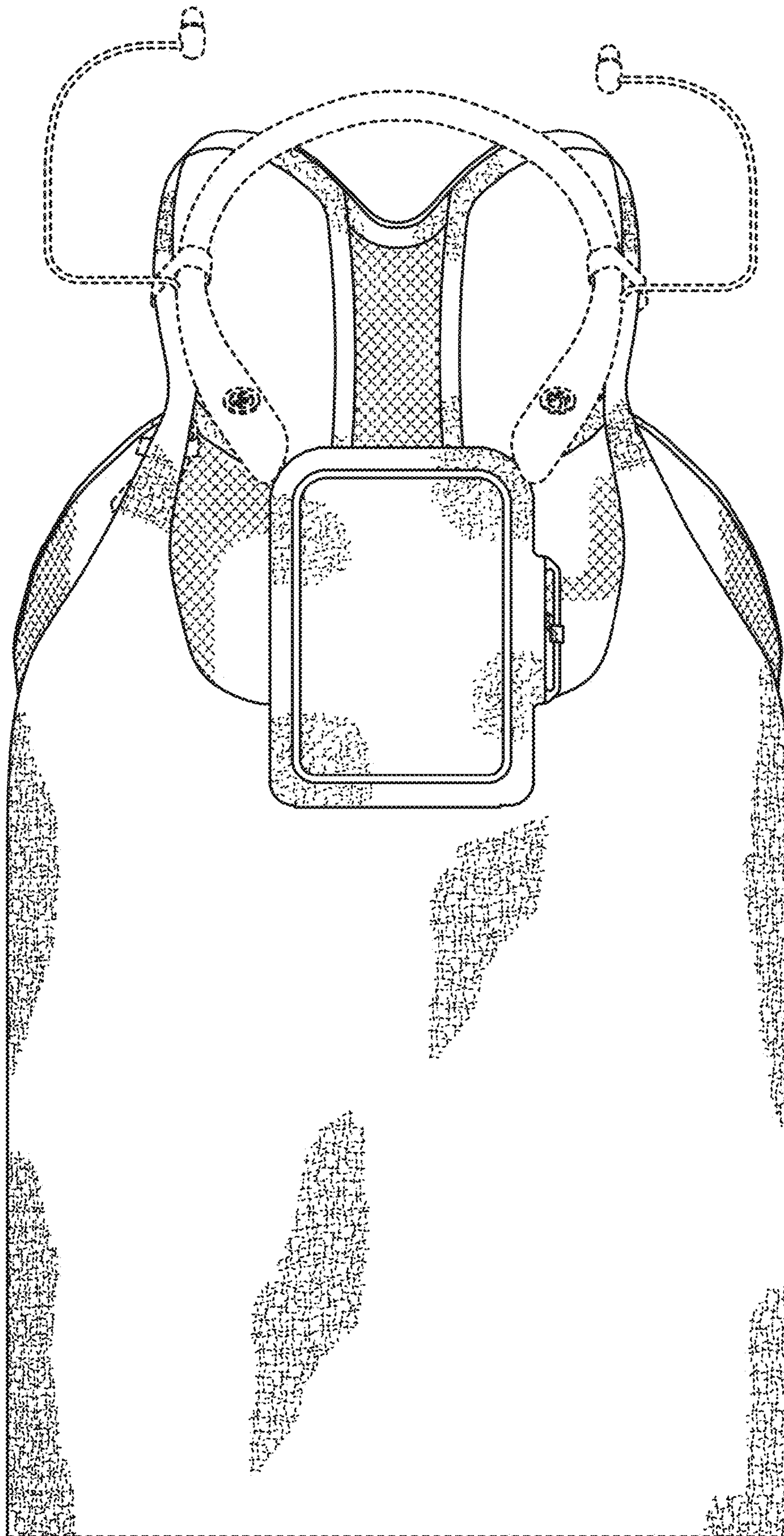


FIG. 2

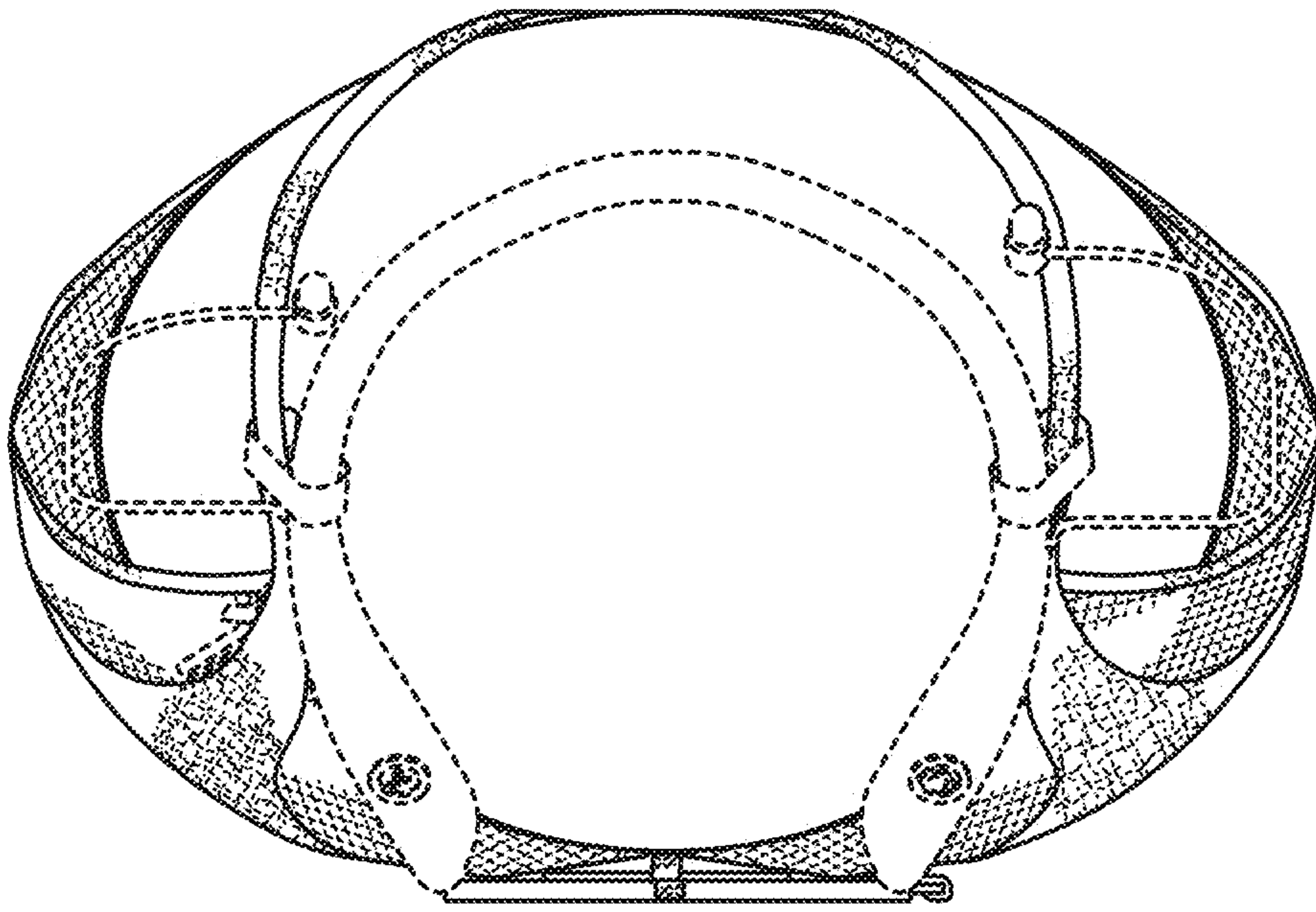


FIG. 3

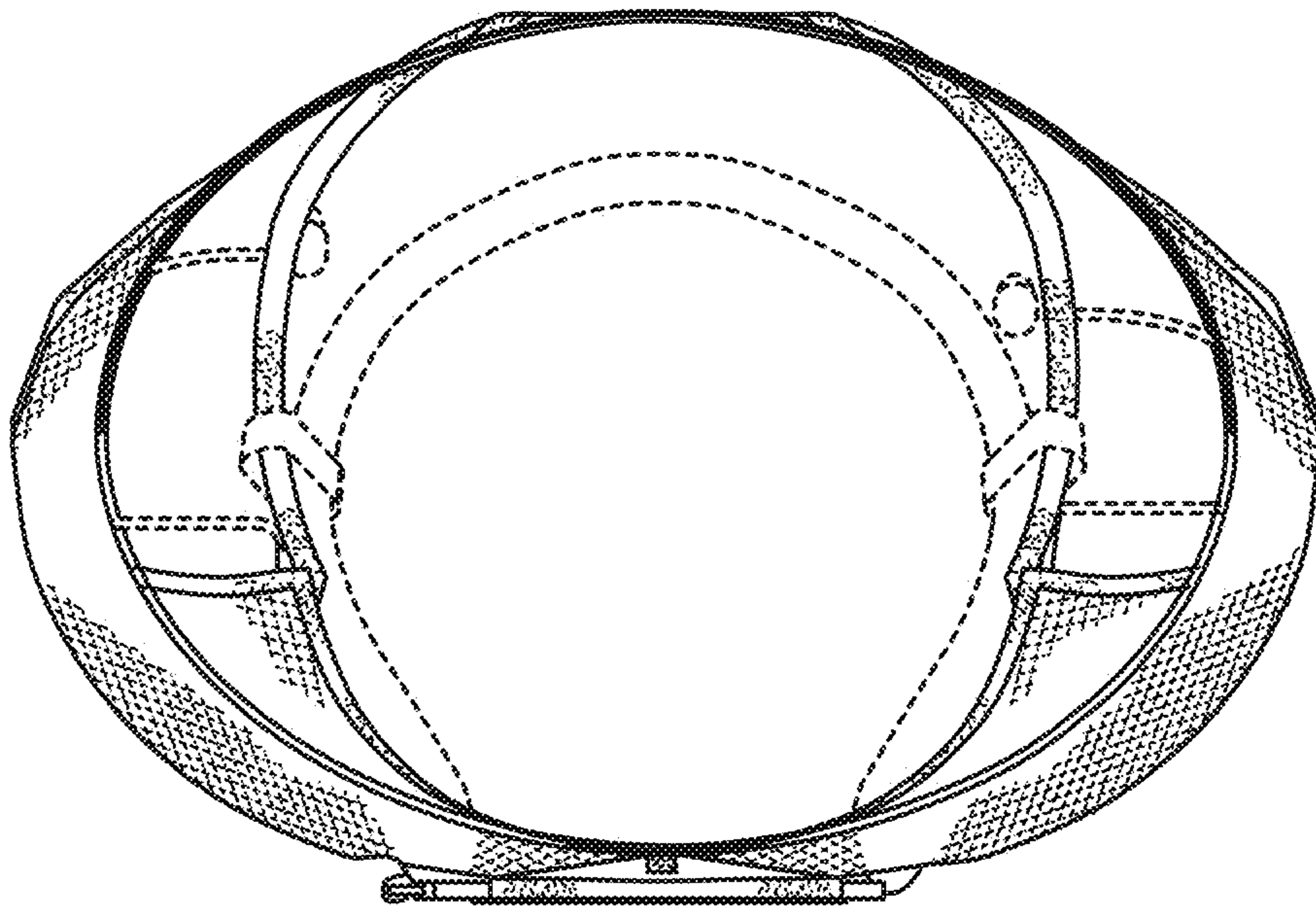


FIG. 4

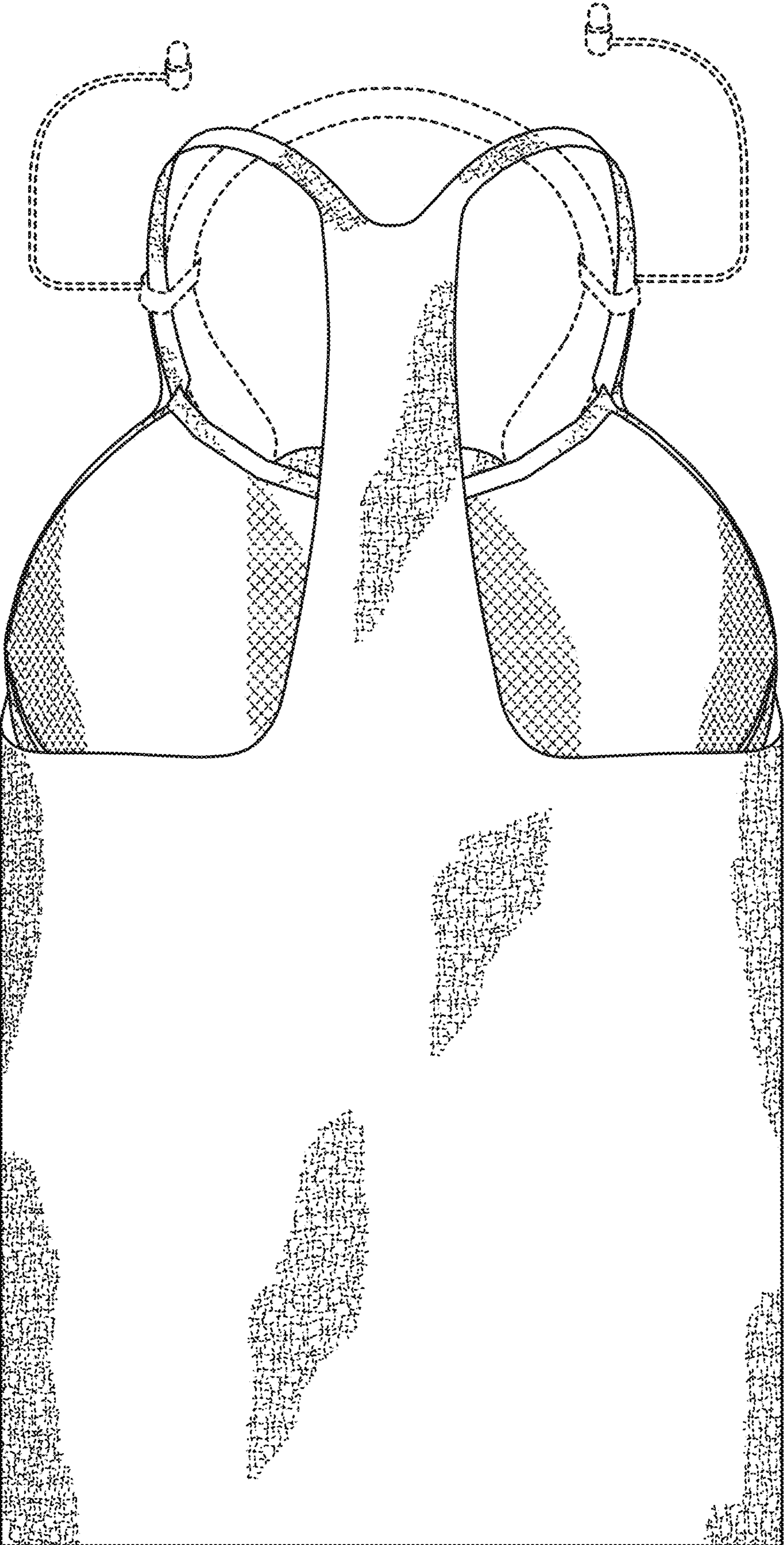


FIG. 5

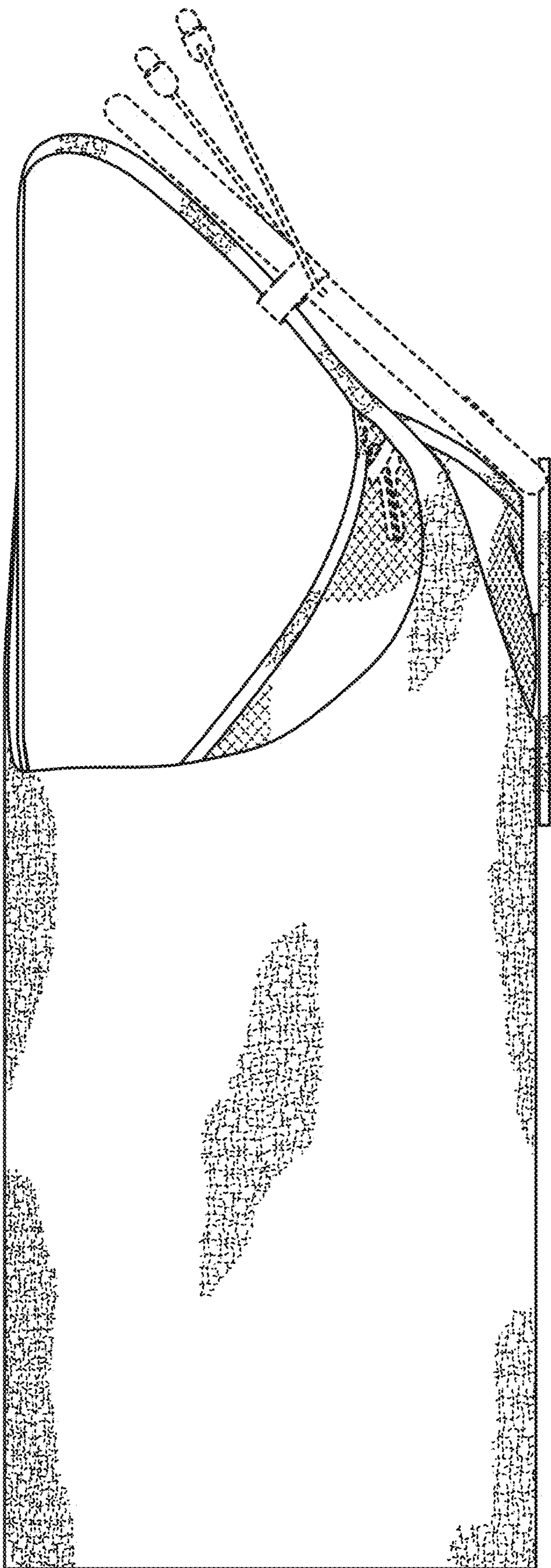


FIG. 6

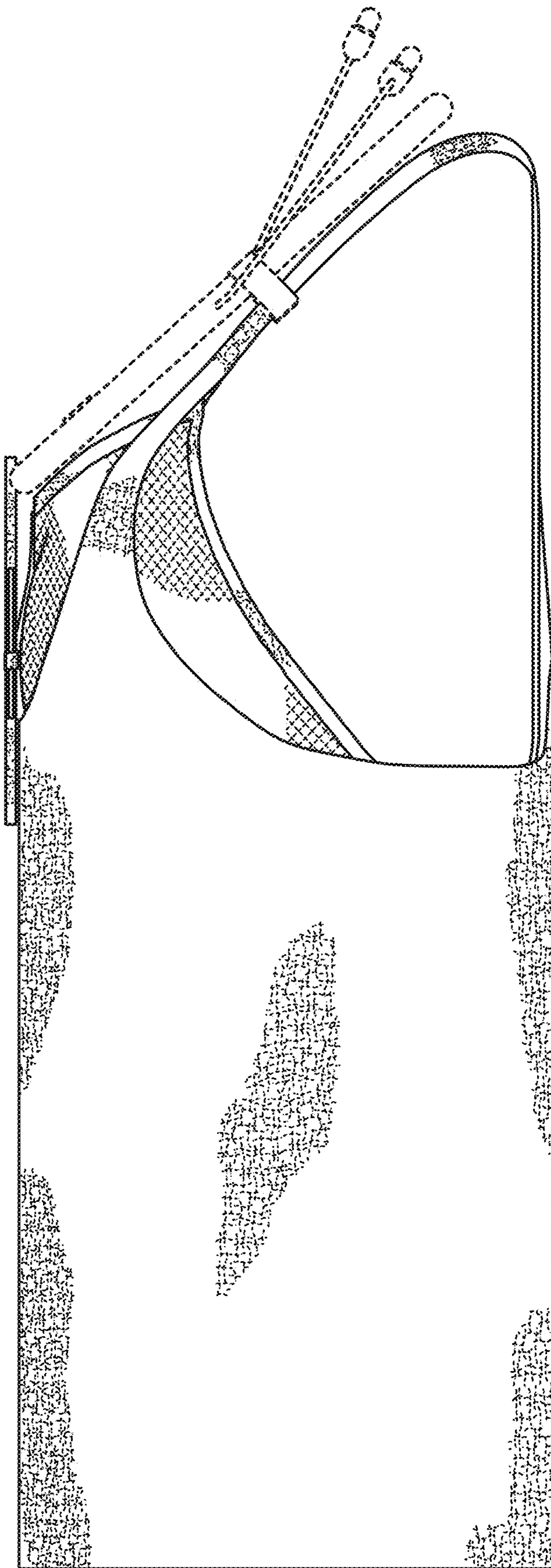


FIG. 7

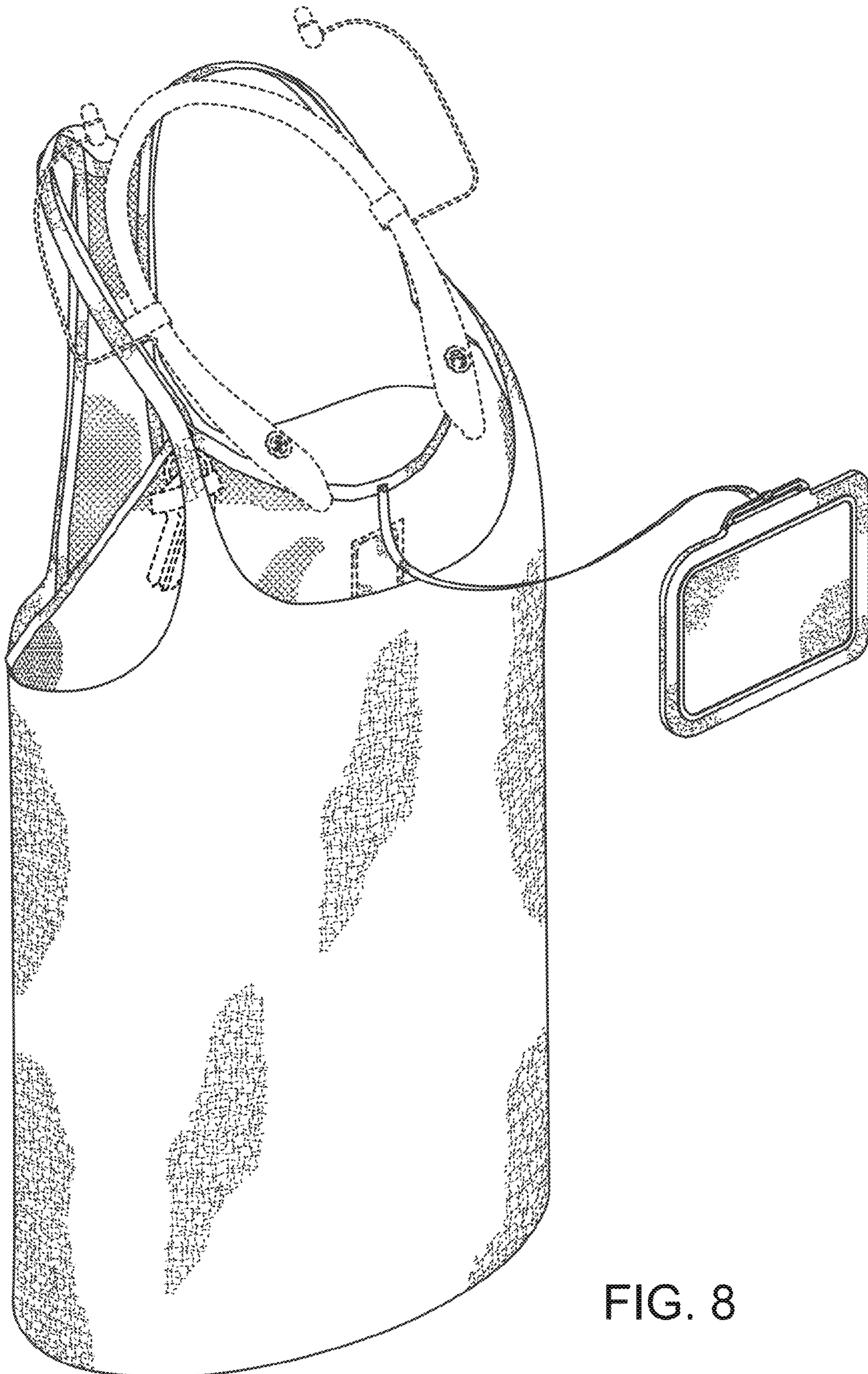


FIG. 8