



US00D901428S

(12) **United States Design Patent**
Zhang et al.

(10) **Patent No.:** **US D901,428 S**
(45) **Date of Patent:** **** Nov. 10, 2020**

(54) **CONFERENCE COMMUNICATION
TERMINAL**

(71) Applicant: **YEALINK (XIAMEN) NETWORK
TECHNOLOGY CO., LTD.**, Fujian
(CN)

(72) Inventors: **Jiancheng Zhang**, Fujian (CN);
Jingfeng Su, Fujian (CN)

(73) Assignee: **YEALINK (XIAMEN) NETWORK
TECHNOLOGY CO., LTD.**, Xiamen
(CN)

(**) Term: **15 Years**

(21) Appl. No.: **29/681,024**

(22) Filed: **Feb. 21, 2019**

(30) **Foreign Application Priority Data**

Oct. 19, 2018 (CN) 2018 3 0585165

(51) **LOC (12) Cl.** **14-03**

(52) **U.S. Cl.**
USPC **D14/149**

(58) **Field of Classification Search**

USPC D14/140, 140.1, 141.1, 142, 144, 147,
D14/149, 150, 155, 168, 172, 204, 206,
D14/209.1, 212, 213, 215, 216, 248, 249,
D14/299, 496, 226, 356, 358, 432, 454,
D14/192, 221, 127-130, 211; D10/104.1,
D10/106.1, 106.3, 106.5; D24/185, 186
CPC H04M 1/00; H04M 1/026; H04M 1/04;
H04M 1/6033; H04M 1/6041; H04M
3/02; H04M 3/005; H04M 3/56; H04M
3/564; H04M 3/568; H04M 9/02; H04M
9/022; H04M 9/08; H04R 1/00; H04R
1/02; H04R 1/403; H04R 1/406; H04R
27/00

See application file for complete search history.

(56) **References Cited**

U.S. PATENT DOCUMENTS

D403,328 S * 12/1998 Wakefield D14/229
D439,538 S * 3/2001 Lynch D10/106.2

D473,546 S * 4/2003 Hovanky D14/240
D556,179 S * 11/2007 Chang D14/150
D557,675 S * 12/2007 Diebel D14/149
D579,911 S * 11/2008 Wei D14/155
D586,743 S * 2/2009 Guccione D13/107
D603,373 S * 11/2009 Jiang D14/209.1
D635,955 S * 4/2011 Corrigan D14/149
D685,755 S * 7/2013 Shin D14/142
D714,258 S * 9/2014 Montague D14/221

(Continued)

OTHER PUBLICATIONS

Conference phone. (Design—© Questel) orbit.com. [online PDF]
24 pgs. Print Dates range Feb. 19, 2007 through Sep. 13, 2019.
[retrieved Aug. 3, 2020] <https://www.orbit.com/export/QPTUJ214/pdf2/047cf22f-6669-42fa-bb9a-246c8eceb7f5-160809.pdf>.*

Primary Examiner — Marie D. Fast Horse

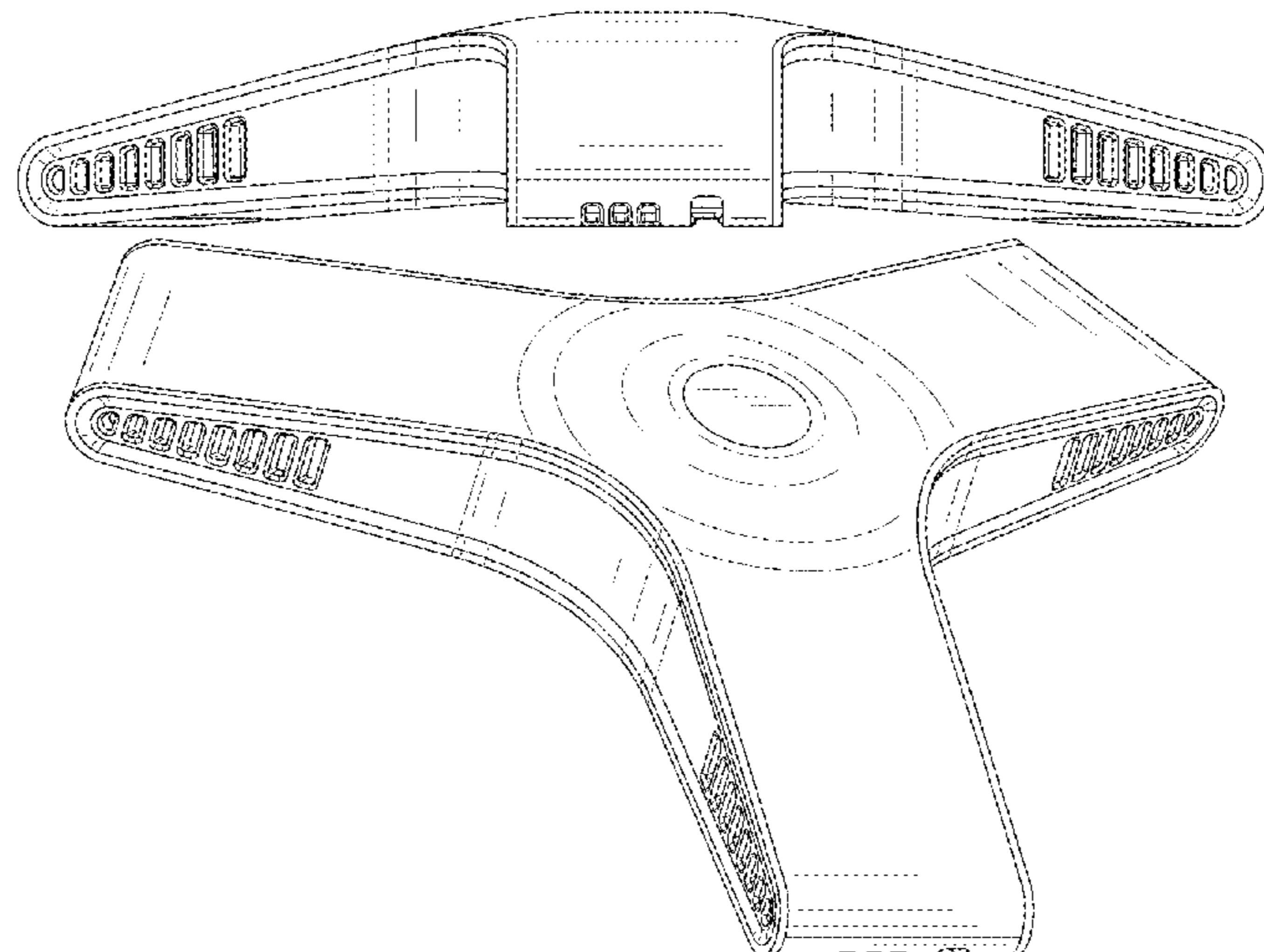
(57) **CLAIM**

The ornamental design for a conference communication terminal, as shown and described.

DESCRIPTION

FIG. 1 is a front elevational view of a conference communication terminal showing our new design;
FIG. 2 is a rear elevational view thereof;
FIG. 3 is a left side view thereof;
FIG. 4 is a right side view thereof;
FIG. 5 is a top plan view thereof;
FIG. 6 is a bottom plan view thereof;
FIG. 7 is a bottom, front and left side perspective view thereof;
FIG. 8 is a top, rear and right side perspective view thereof;
and,
FIG. 9 is a bottom, rear and right side perspective view thereof.

1 Claim, 7 Drawing Sheets



(56)

References Cited

U.S. PATENT DOCUMENTS

D760,201 S *	6/2016	Tompkin	H04M 1/02 D14/221
D834,565 S *	11/2018	Sarrasin	D14/227
D846,524 S *	4/2019	Lai	D14/149
D864,159 S *	10/2019	Ding	D14/211
D865,996 S *	11/2019	Mellett	D24/234
D883,248 S *	5/2020	Zhang	D14/149
D885,360 S *	5/2020	Zhang	D14/149
D886,075 S *	6/2020	Zhang	D14/149
2016/0050489 A1 *	2/2016	Lashkari	H04R 3/02 381/66

* cited by examiner

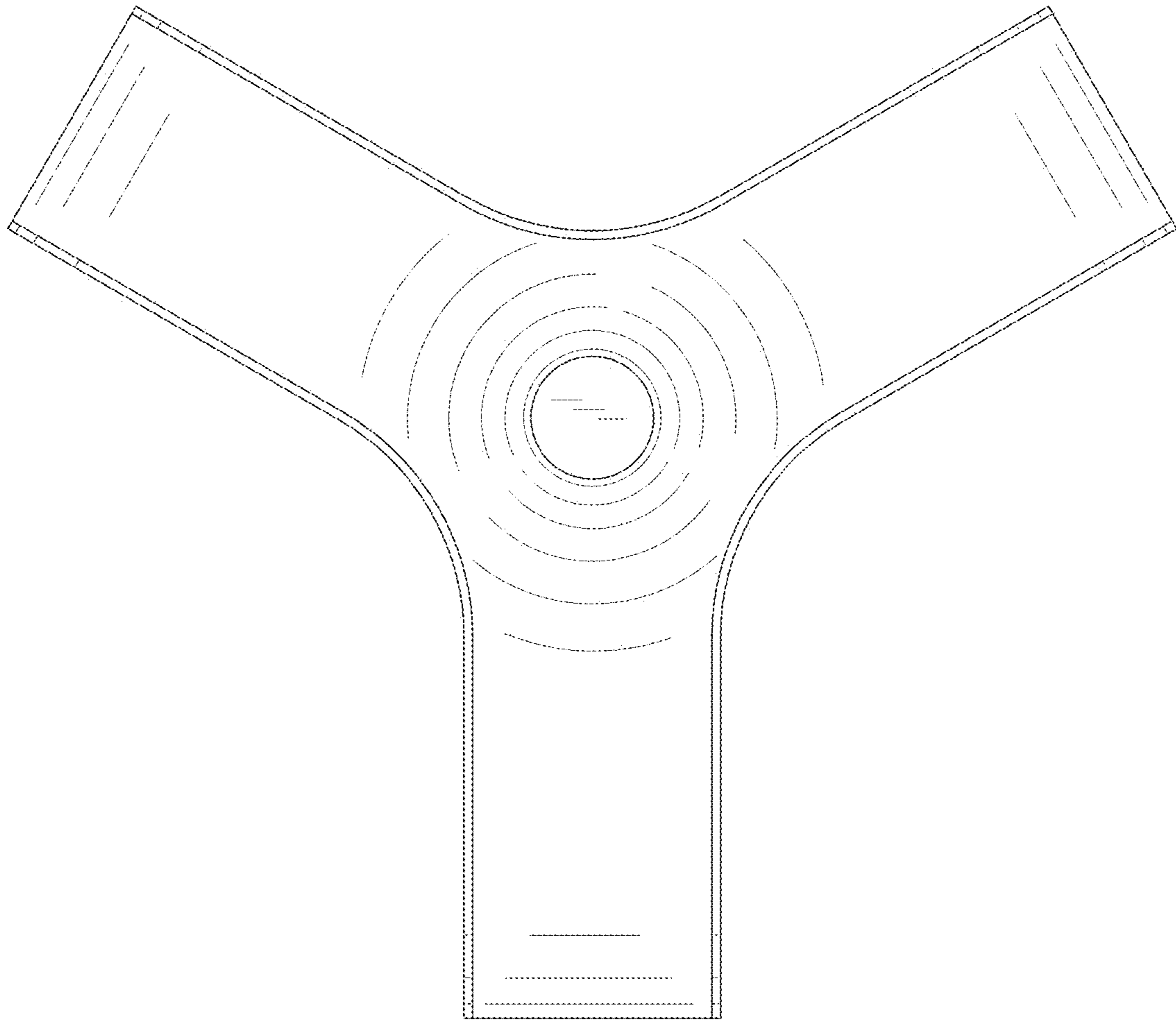


FIG.1

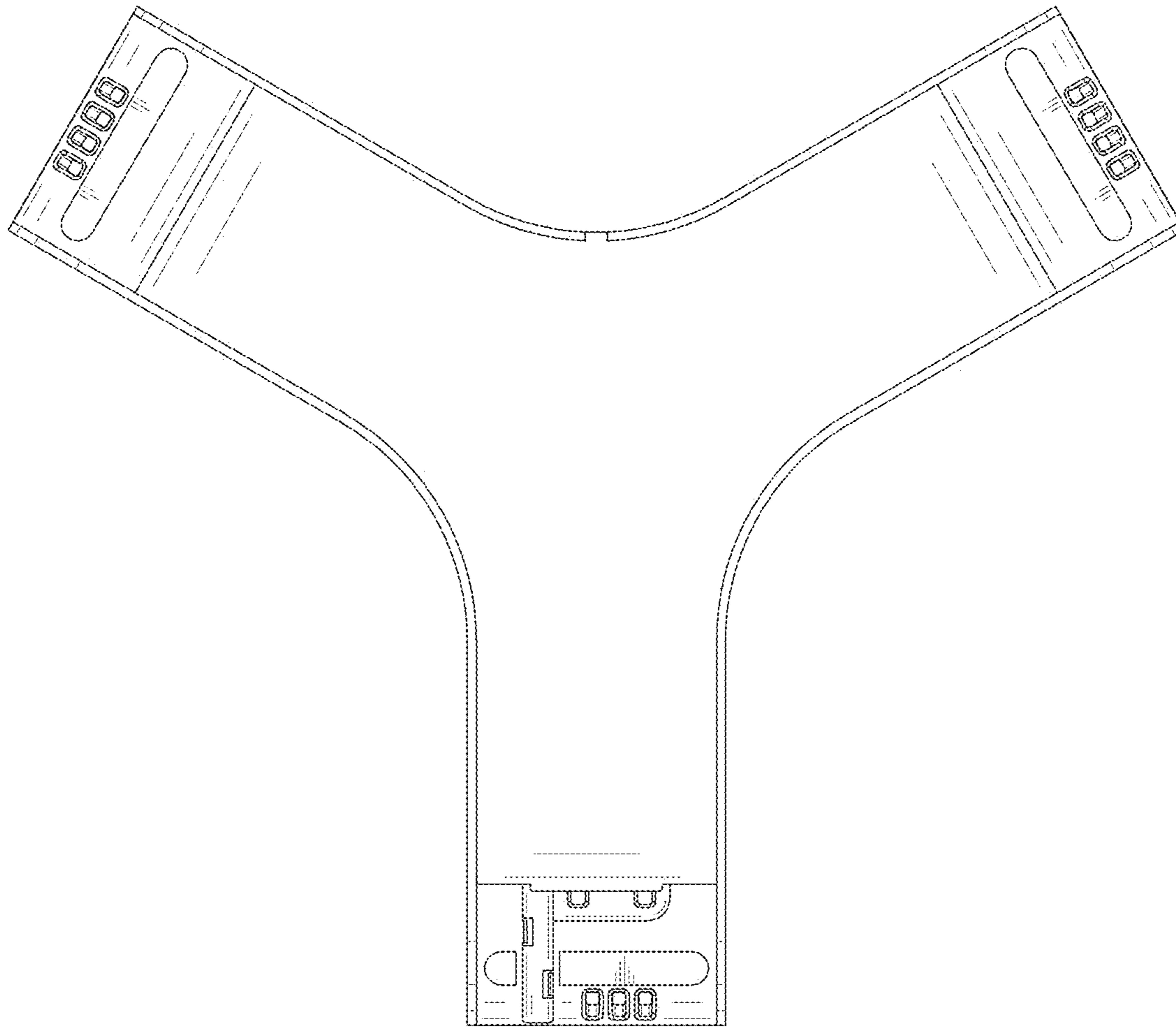


FIG.2

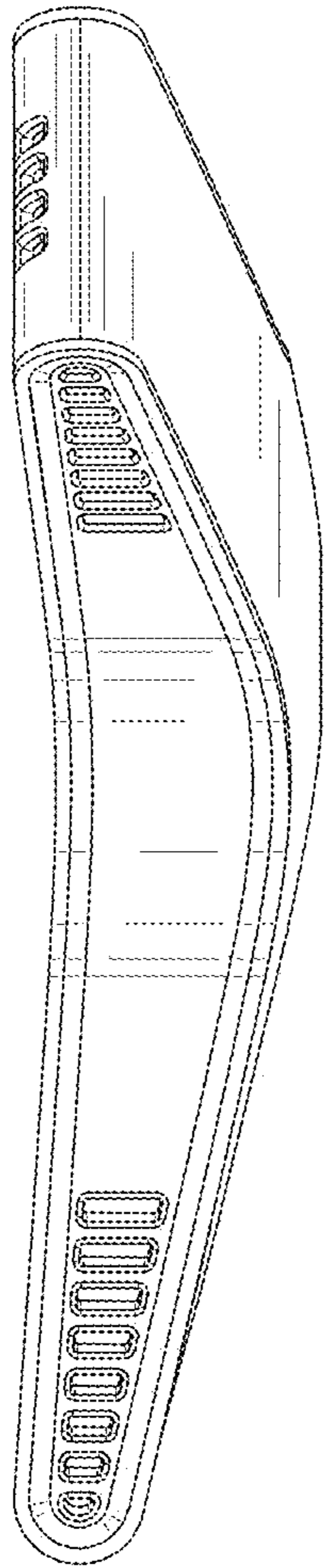


FIG.3

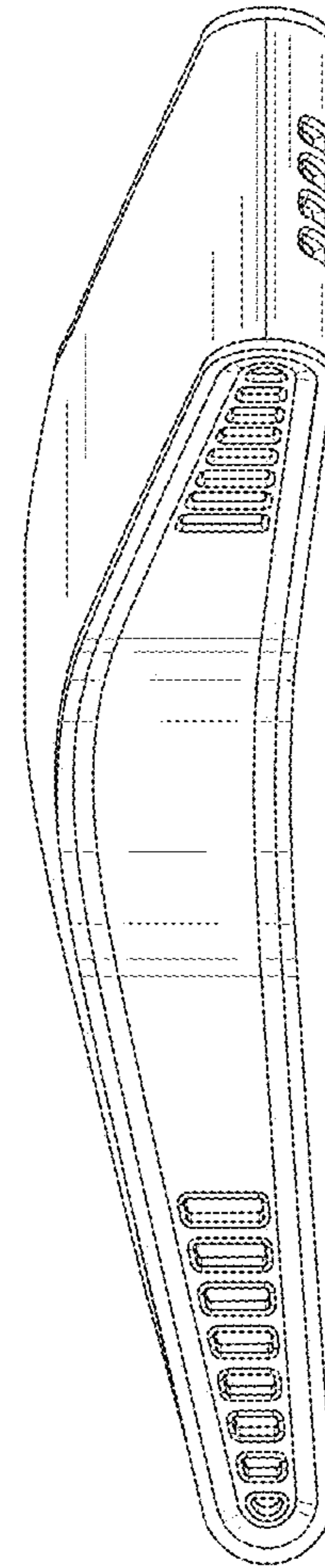


FIG.4

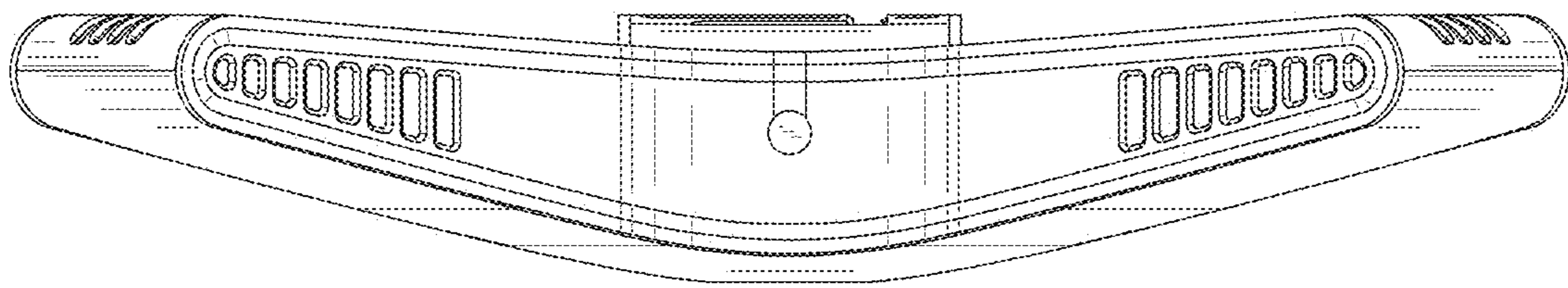


FIG.5

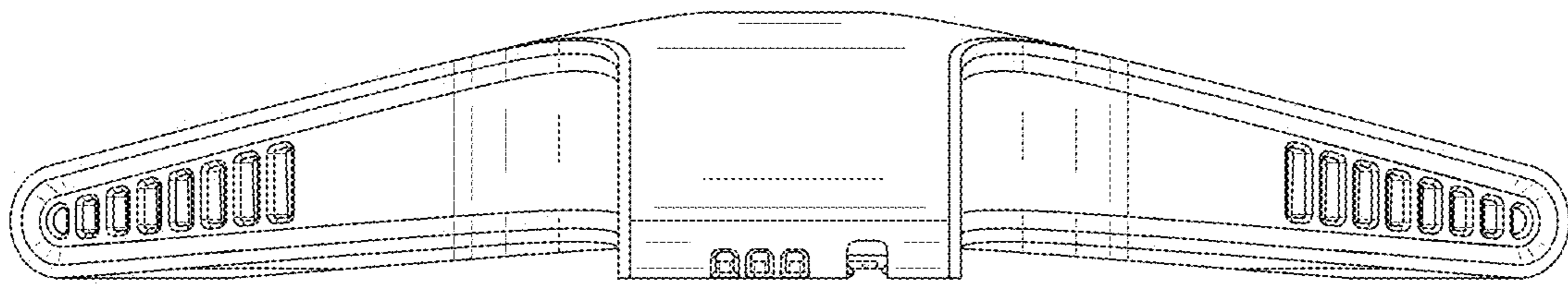


FIG.6

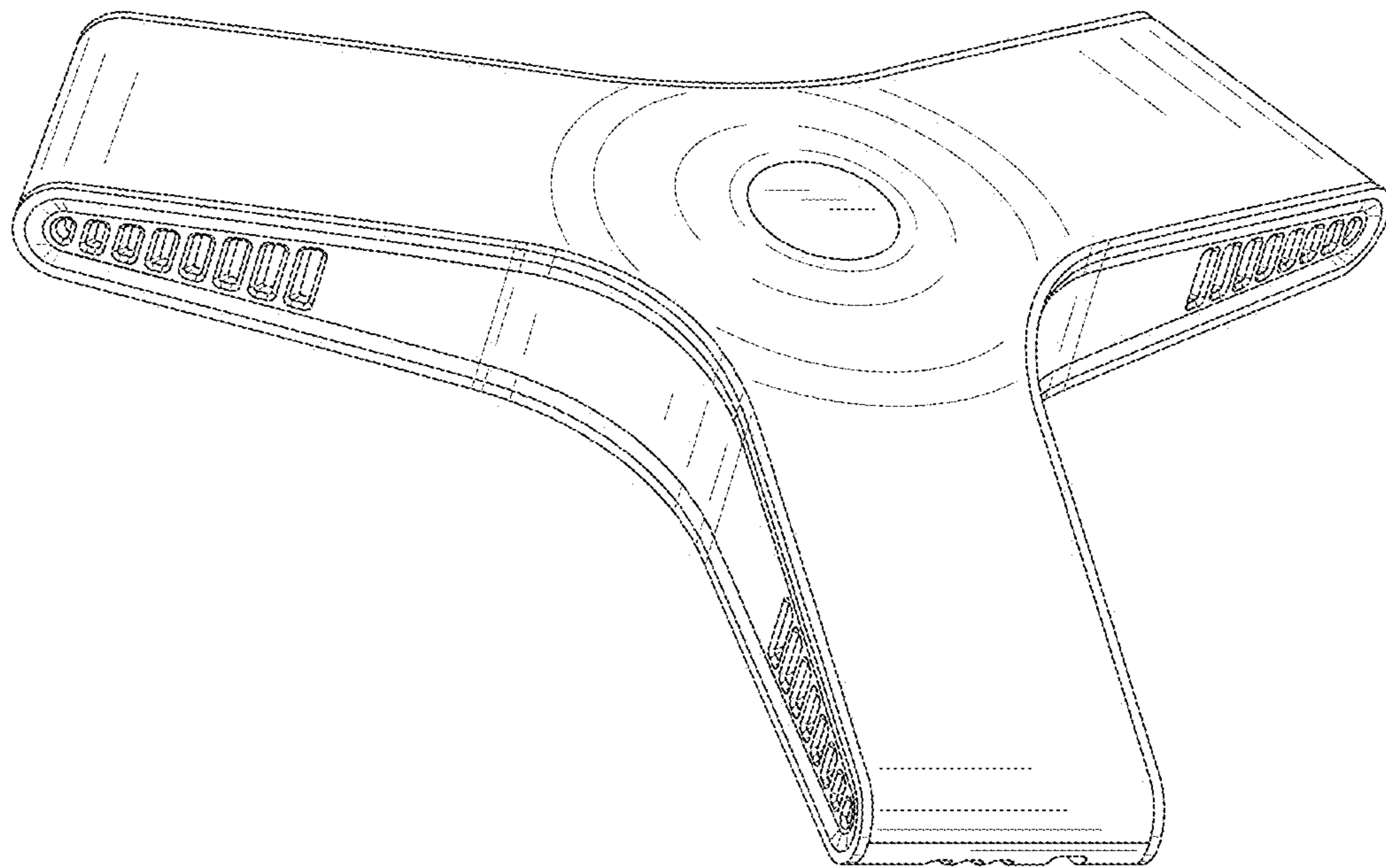


FIG.7

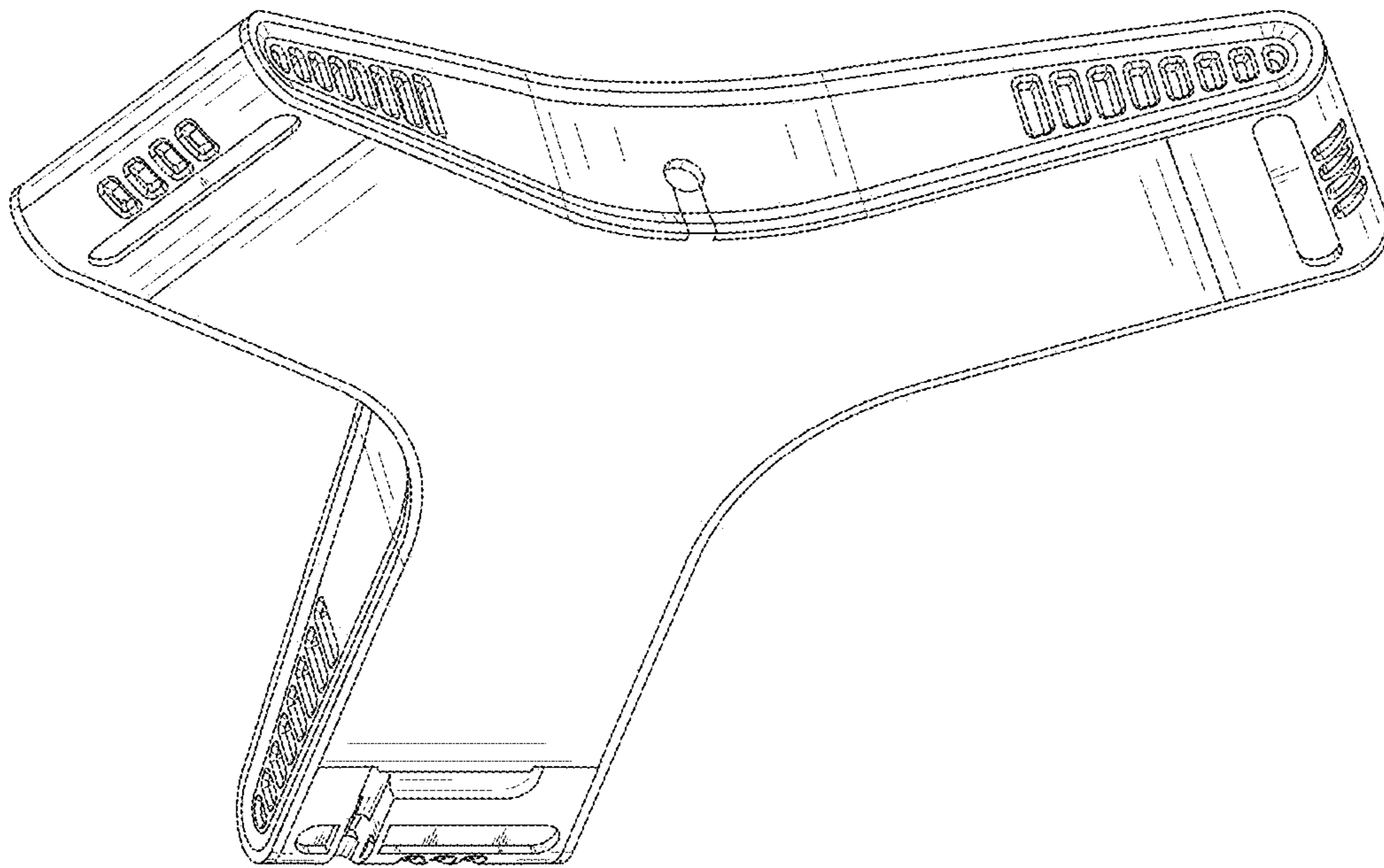


FIG.8

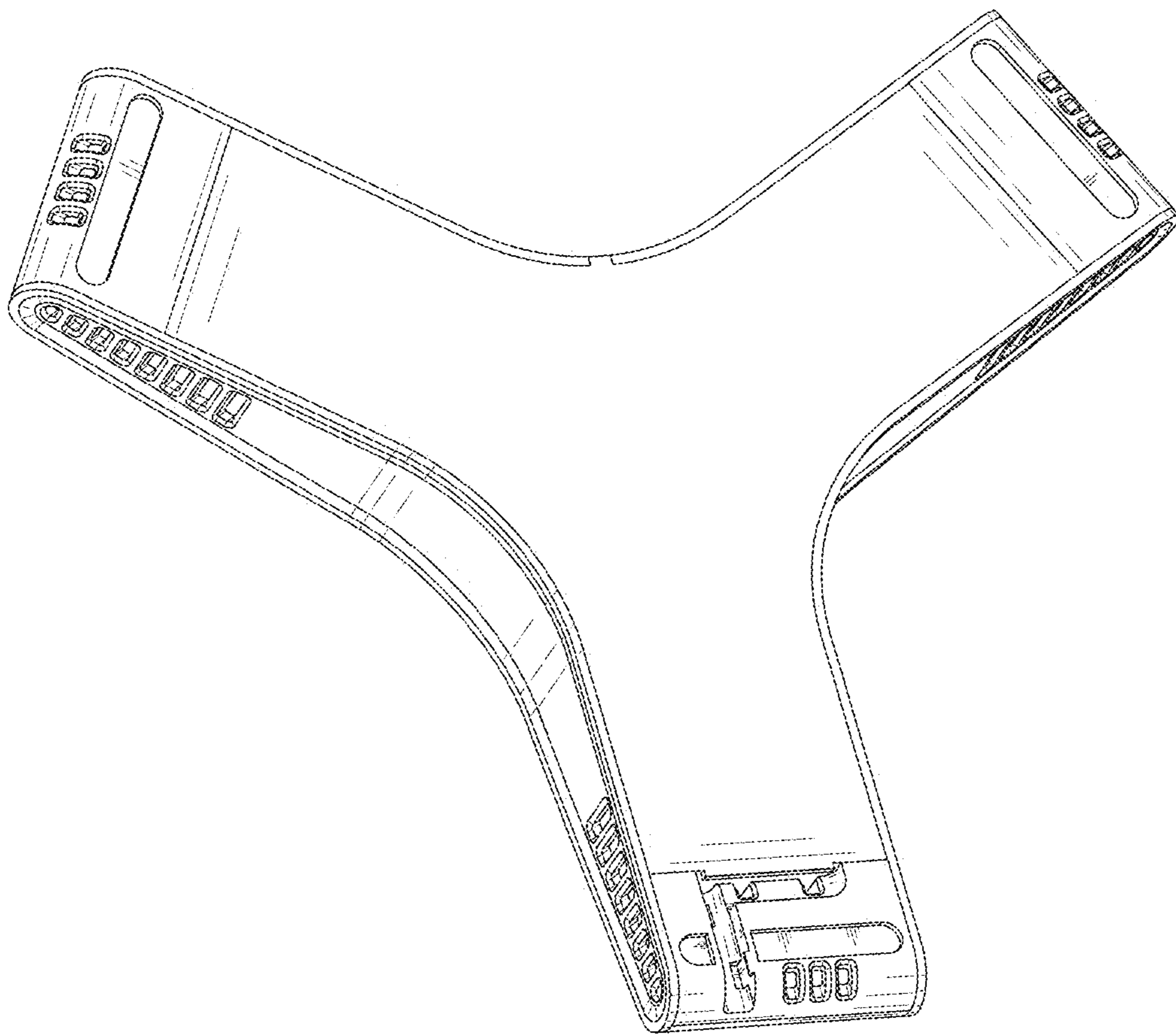


FIG.9