

US00D901410S

(12) **United States Design Patent** (10) **Patent No.:** **US D901,410 S**
Kim et al. (45) **Date of Patent:** **** *Nov. 10, 2020**

(54) **TELEVISION RECEIVER**

(71) Applicant: **LG Electronics Inc.**, Seoul (KR)
(72) Inventors: **Yooseok Kim**, Seoul (KR); **Taeho Kim**, Seoul (KR); **Jeongrok Lee**, Seoul (KR); **Youngwon Jeong**, Seoul (KR)
(73) Assignee: **LG ELECTRONICS INC.**, Seoul (KR)
(*) Notice: This patent is subject to a terminal disclaimer.
(**) Term: **15 Years**

(21) Appl. No.: **35/507,059**
(22) Filed: **Jan. 11, 2019**

(80) **Hague Agreement Data**
Int. Filing Date: **Jan. 11, 2019**
Int. Reg. No.: **DM/201594**
Int. Reg. Date: **Jan. 11, 2019**
Int. Reg. Pub. Date: **Jul. 12, 2019**

(30) **Foreign Application Priority Data**
Jul. 12, 2018 (KR) 30-2018-0032249
(51) **LOC (12) Cl.** **14-03**
(52) **U.S. Cl.**
USPC **D14/126**
(58) **Field of Classification Search**
USPC D14/125, 126, 127-137, 239, 314-316, D14/322, 326, 334-336, 339, 340, 341,
(Continued)

(56) **References Cited**
U.S. PATENT DOCUMENTS
6,612,670 B2 * 9/2003 Liu A47G 5/00 160/351
D497,485 S * 10/2004 Resultan D6/300
(Continued)

OTHER PUBLICATIONS

The biggest TVs announced . . . , announced Jan. 11, 2019 [online], [retrieved May 29, 2020]. Available from Internet, URL: <https://www.theverge.com/2019/1/11/18178601/ces-2019-tvs-sony-samsung-lg-vizio-tcl-panasonic-hisense> (Year: 2019).*

Primary Examiner — Dana K Weiland
(74) *Attorney, Agent, or Firm* — Birch, Stewart, Kolasch & Birch, LLP

(57) **CLAIM**

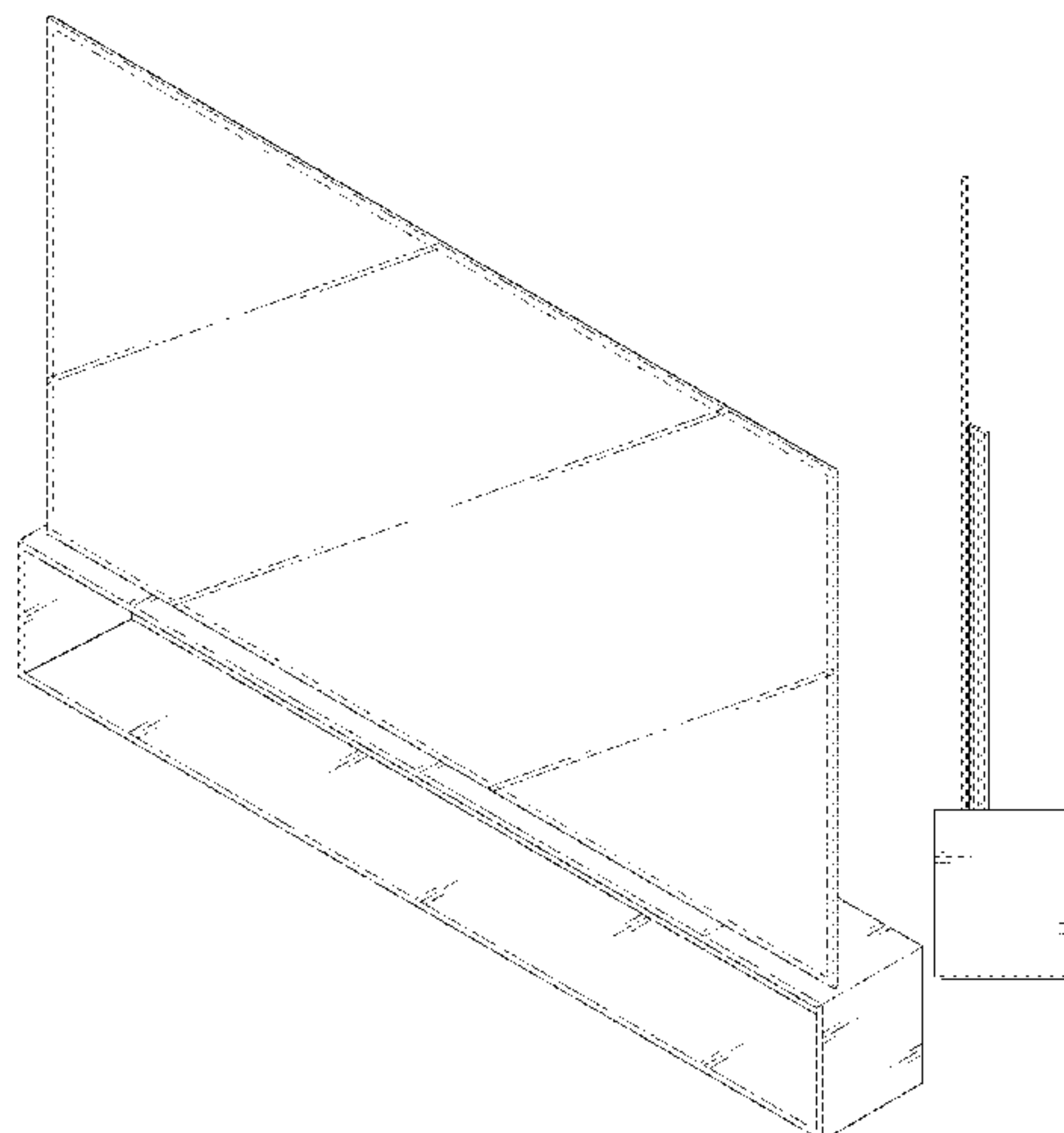
The ornamental design for a television receiver, as shown and described.

DESCRIPTION

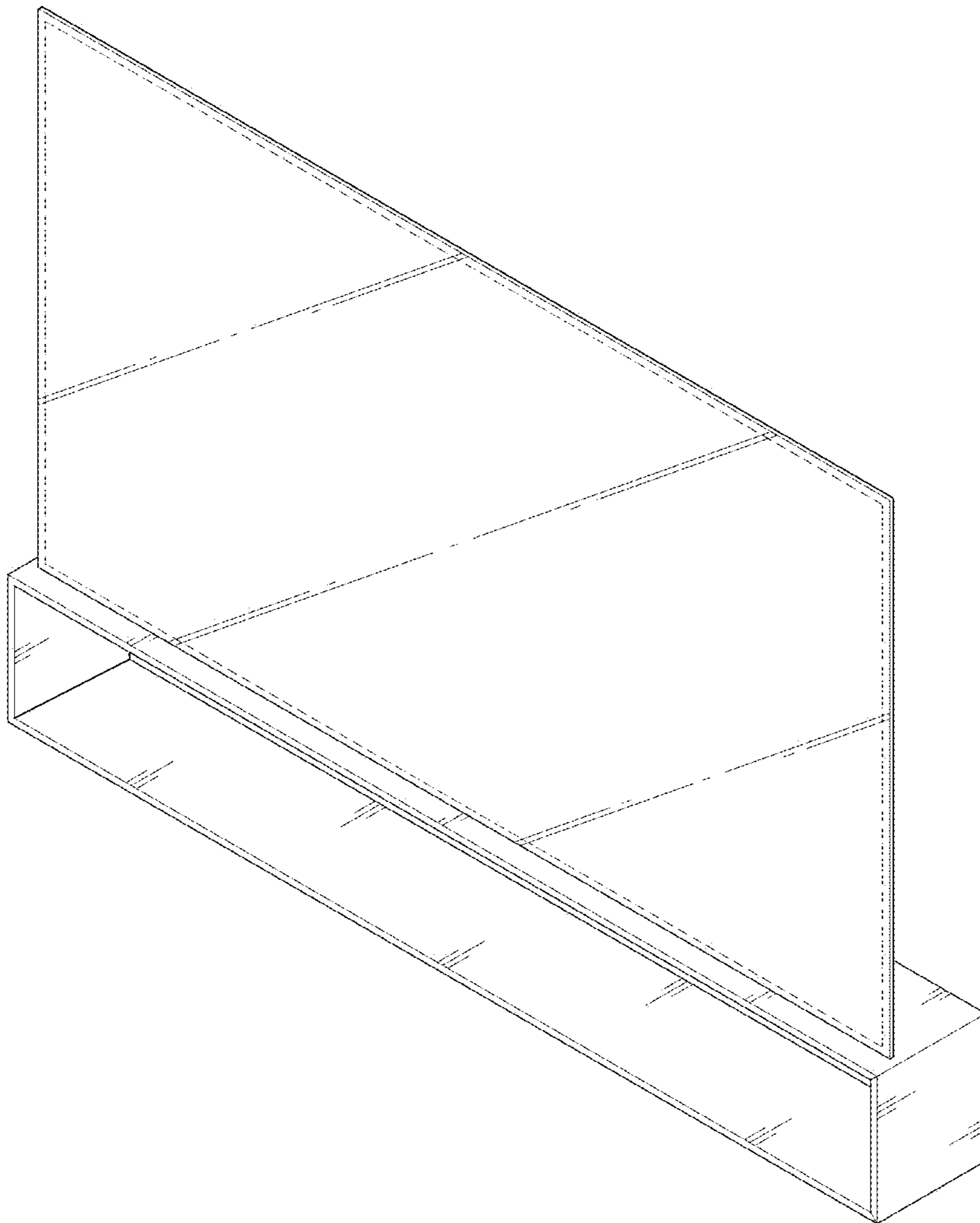
1. Television receiver
1.1 is a front perspective view of a television receiver showing the new design;
1.2 is a front view thereof;
1.3 is a back view thereof;
1.4 is a left side view thereof;
1.5 is a right side view thereof;
1.6 is a top view thereof;
1.7 is a bottom view thereof;
1.8 is a back perspective view thereof; and
1.9 is an enlarged view of a portion of FIG. 1.8.
The broken lines depict portions of the television receiver that form no part of the claimed design; the broken lines in reproduction 1.9 illustrate an example in-use environment showing a cable going through the hole at the back of the television receiver and forms no part of the claimed design; the dot-dashed lines indicate portions of the claimed design that are shown in the enlarged views, and form no part thereof.

This design is for a television receiver where the bottom rectangular frame can be used as a storage space.

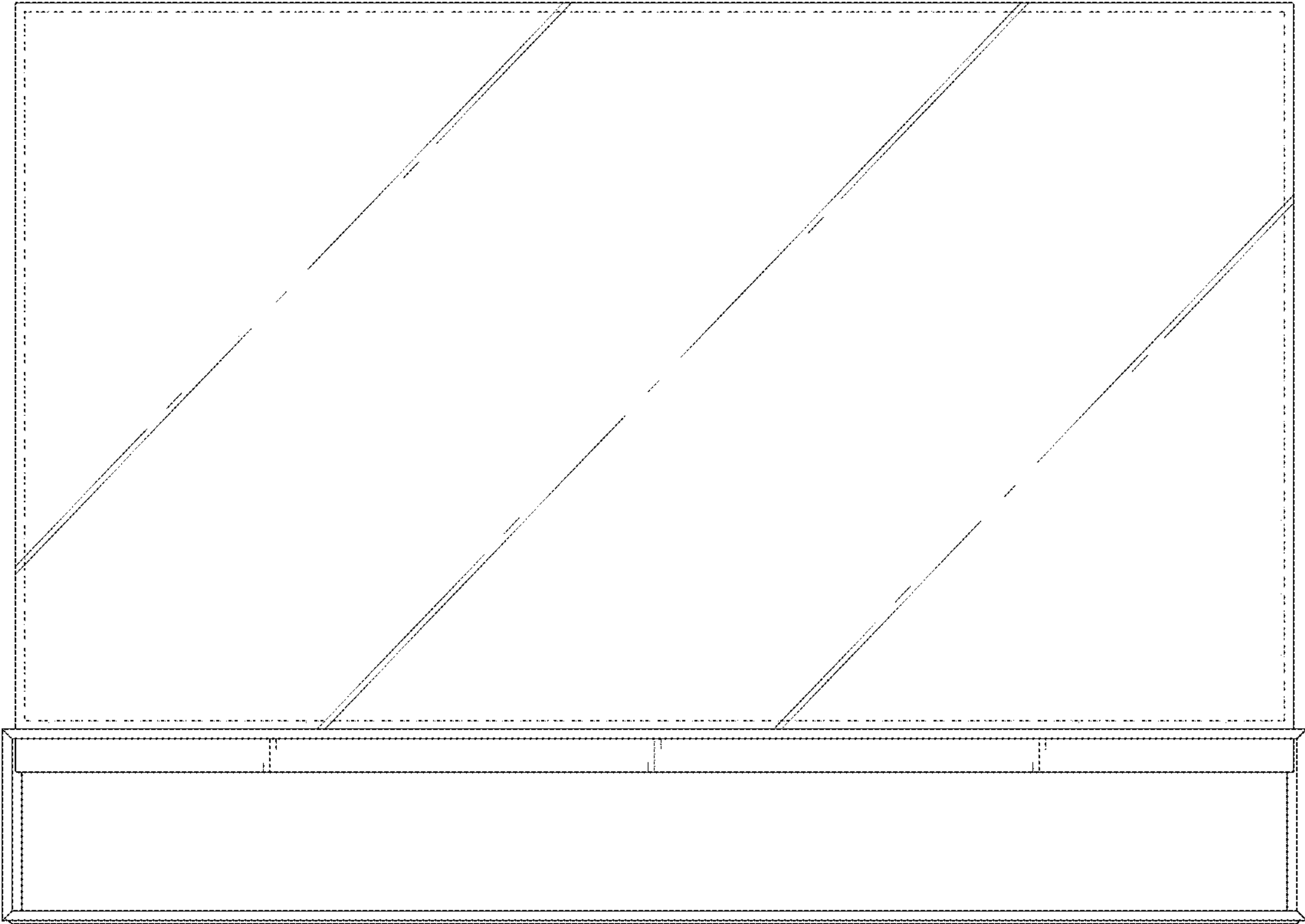
1 Claim, 9 Drawing Sheets



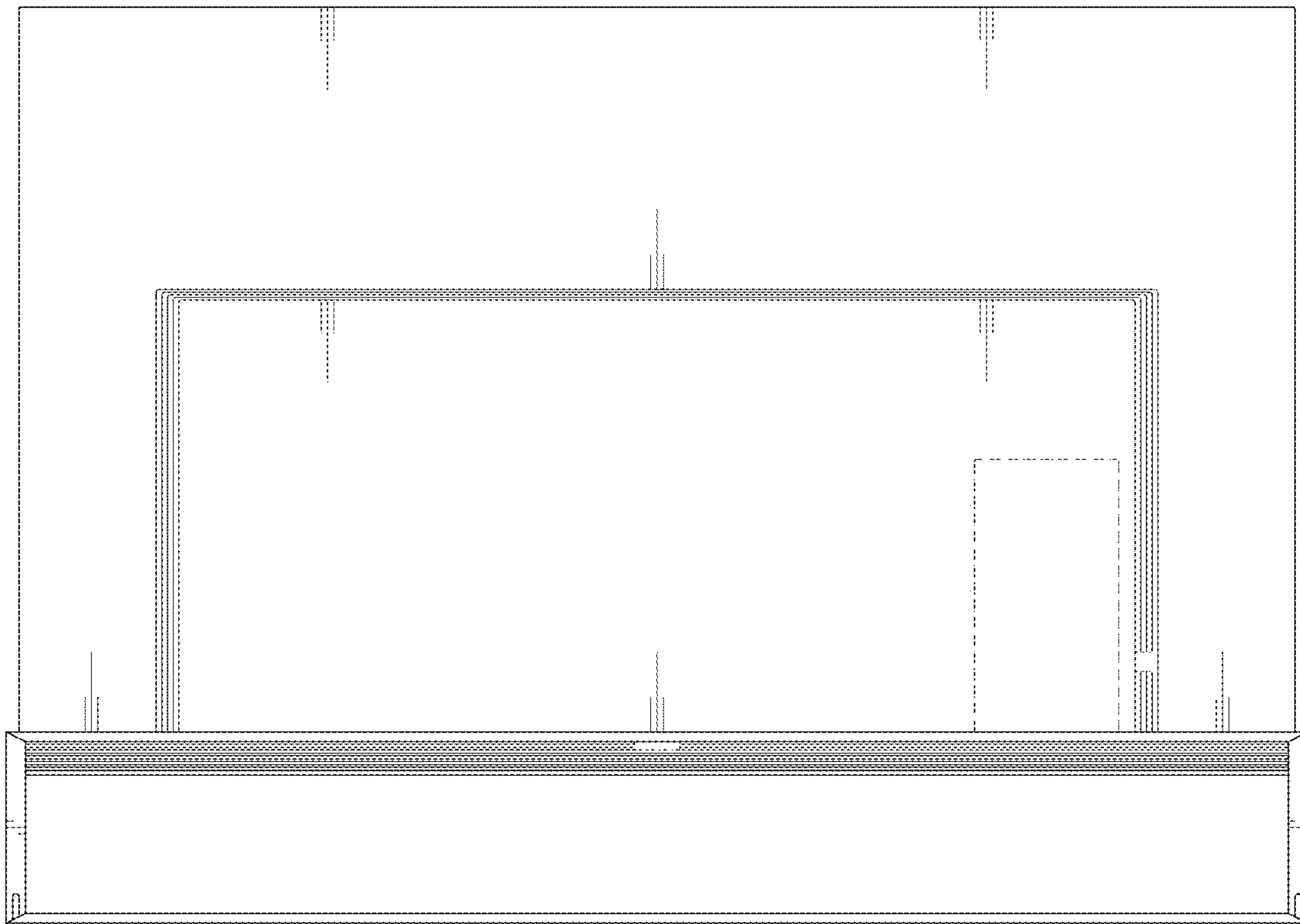
1. 1



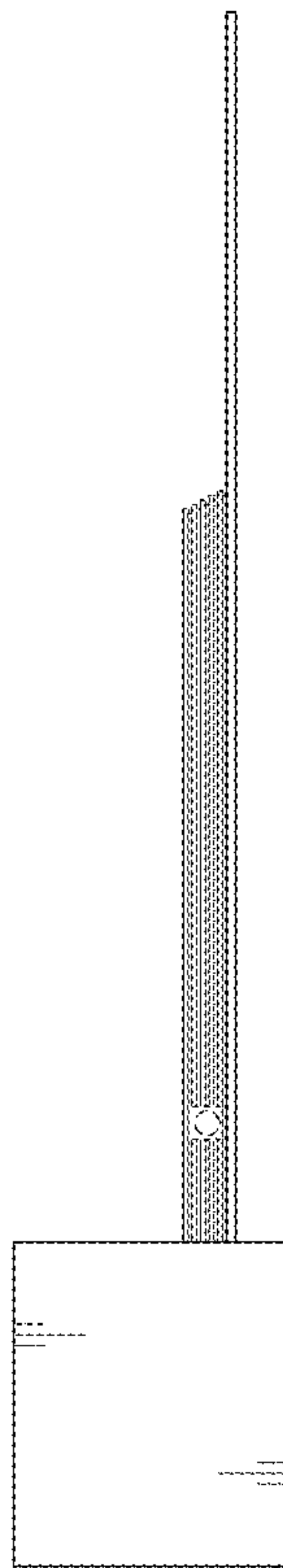
1. 2



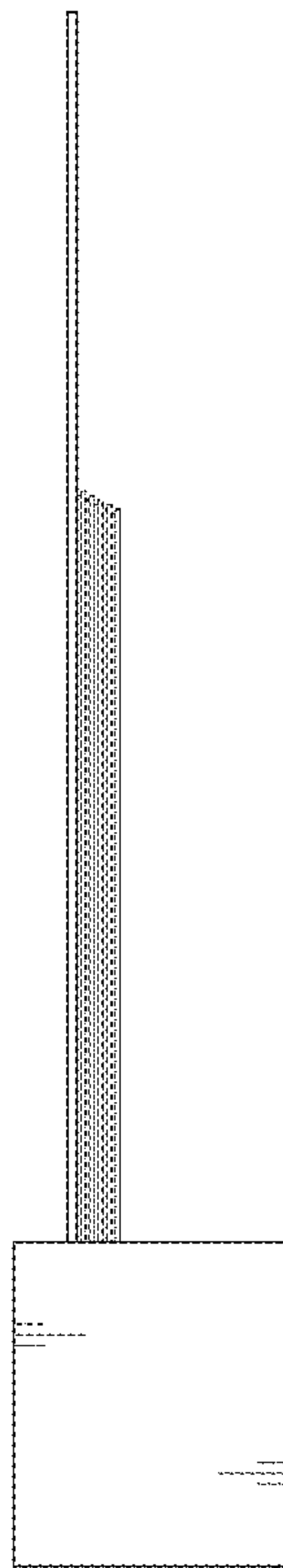
1. 3



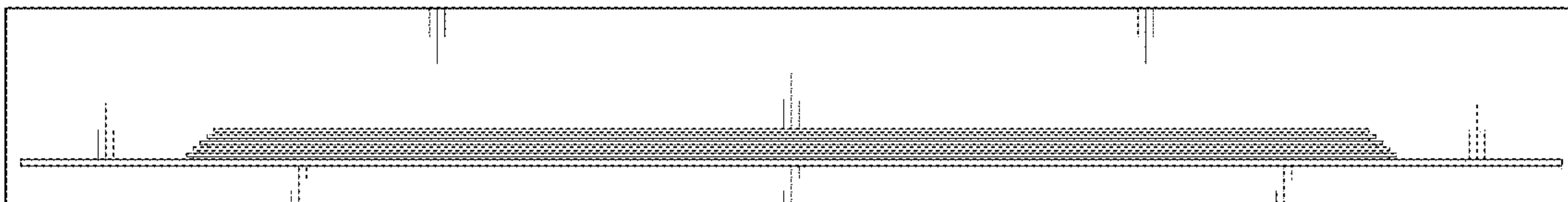
1. 4



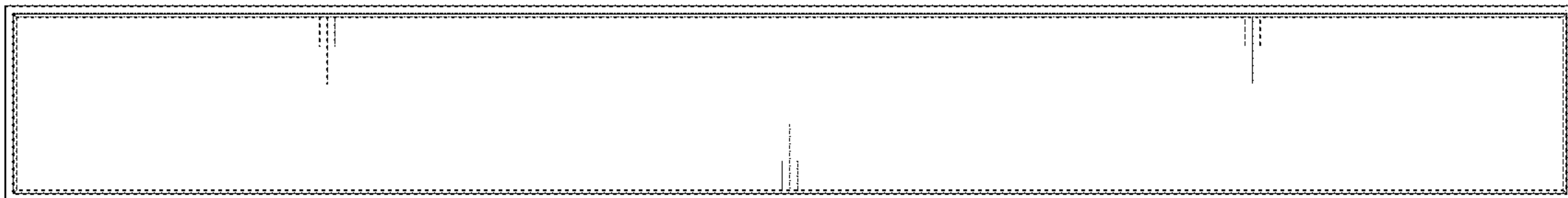
1. 5



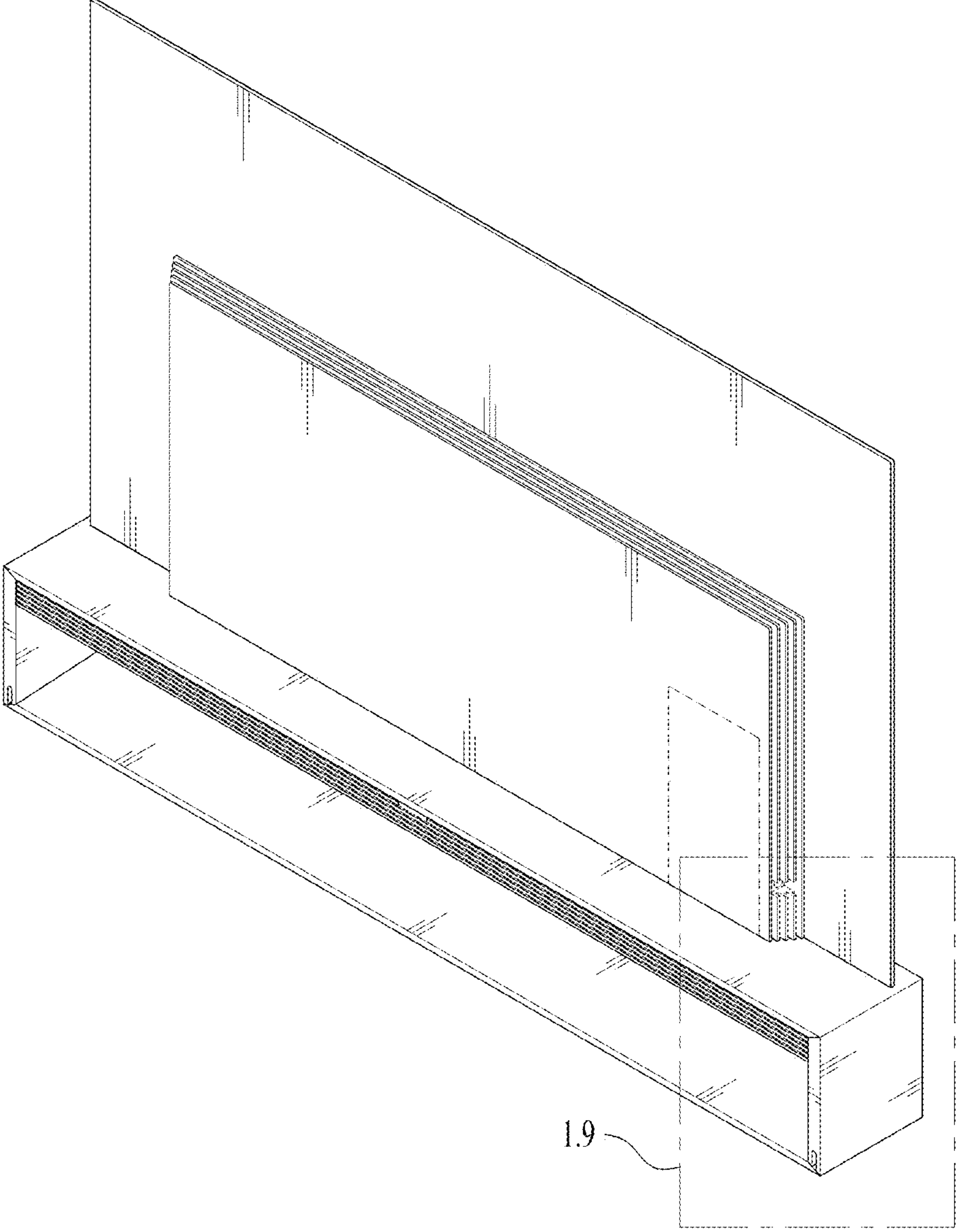
1. 6



1. 7



1. 8



1. 9

