



US00D901408S

(12) **United States Design Patent**
Kim et al.

(10) **Patent No.:** **US D901,408 S**
(45) **Date of Patent:** **** *Nov. 10, 2020**

(54) **TELEVISION RECEIVER**

(71) Applicant: **LG ELECTRONICS INC.**, Seoul (KR)

(72) Inventors: **Youngkyoung Kim**, Seoul (KR); **Seonkyu Kim**, Seoul (KR); **Yunjoo Kim**, Seoul (KR); **Cheolwoong Shin**, Seoul (KR); **Minjae Lee**, Seoul (KR); **Hyunbyung Cha**, Seoul (KR)

(73) Assignee: **LG ELECTRONICS INC.**, Seoul (KR)

(*) Notice: This patent is subject to a terminal disclaimer.

(**) Term: **15 Years**

(21) Appl. No.: **35/506,657**

(22) Filed: **Oct. 18, 2018**

(80) **Hague Agreement Data**

Int. Filing Date: **Oct. 18, 2018**

Int. Reg. No.: **DM/103561**

Int. Reg. Date: **Oct. 18, 2018**

Int. Reg. Pub. Date: **Apr. 19, 2019**

(30) **Foreign Application Priority Data**

Apr. 27, 2018 (KR) 30-2018-0020034

(51) **LOC (12) Cl.** **14-03**

(52) **U.S. Cl.**
USPC **D14/126**

(58) **Field of Classification Search**
USPC D14/125, 126, 127-137, 239, 314-316,
D14/322, 326, 334-336, 339, 340, 341,
(Continued)

(56) **References Cited**

U.S. PATENT DOCUMENTS

D357,704 S * 4/1995 Wolff D19/75
6,612,670 B2 * 9/2003 Liu A47G 5/00
160/351

(Continued)

FOREIGN PATENT DOCUMENTS

EM 003864016-0001 * 7/2017
WO 093721-001 * 5/2017

OTHER PUBLICATIONS

There's a giant 65-inch 4K OLED TV, announced Jan. 11, 2018 [online], [retrieved Mar. 1, 2020]. Available from Internet, URL: <<https://www.businessinsider.com/watch-lg-hidden-oled-65-inch-4k-tv-roll-out-rectangular-box-2018-1>> (Year: 2018).*

(Continued)

Primary Examiner — Dana K Weiland

(74) *Attorney, Agent, or Firm* — Birch, Stewart, Kolasch & Birch, LLP

(57) **CLAIM**

The ornamental design for a television receiver, as shown and described.

DESCRIPTION

1. Television receiver

The television receiver has a hidden display inside of the main body. When the television receiver is in use, the display rises up from the main body.

1.1 is a front perspective view of a television receiver showing the new design;

1.2 is a front view thereof;

1.3 is a rear view thereof;

1.4 is a left side view thereof, the right side being a mirror image thereof;

1.5 is a top view thereof;

1.6 is a bottom view thereof;

1.7 is a rear perspective view thereof;

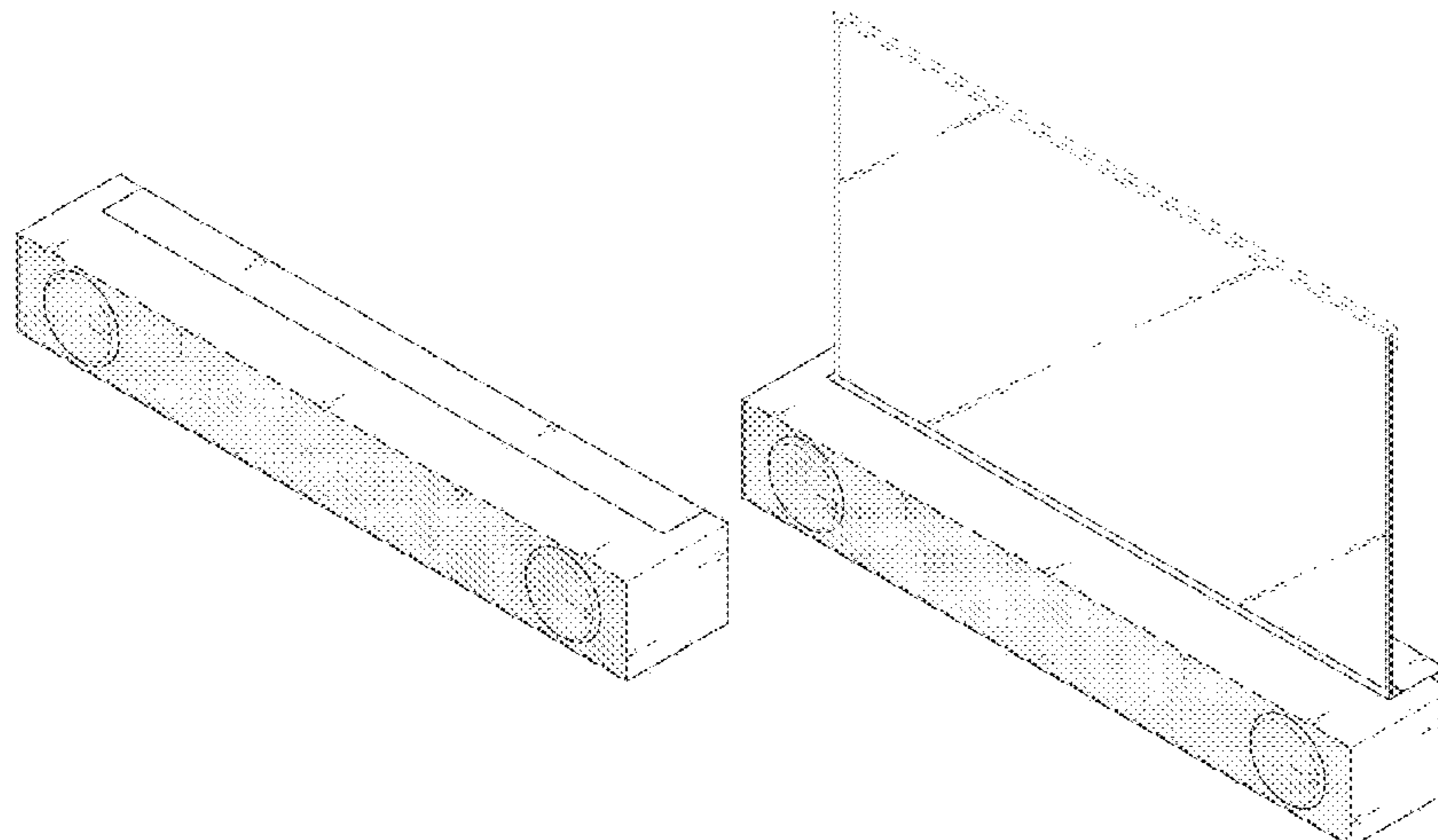
1.8 is a rear perspective view of the television receiver in an alternate configuration, showing the upper cover opened backward and the hidden display from within the main body;

1.9 is a front perspective view of the television receiver in an alternate configuration;

1.10 is a front view thereof;

1.11 is a rear view thereof;

(Continued)



1.12 is a left side view thereof, the right side being a mirror image thereof;

1.13 is a top view thereof;

1.14 is a bottom view thereof; and

1.15 is a rear perspective view thereof.

The broken lines depict portions of the television receiver that form no part of the claimed design.

1 Claim, 15 Drawing Sheets

(58) **Field of Classification Search**

USPC ... D14/371, 373-374, 448, 450, 138 G, 248;
D6/300, 310, 314, 320, 332, 553, 657;
D21/329, 332, 515, 324

CPC G06F 1/16; G06F 1/1601; G06F 1/1637;
H04N 5/64; H05K 5/0204; H05K 5/0017;
H05K 5/0217

See application file for complete search history.

(56) **References Cited**

U.S. PATENT DOCUMENTS

D497,485	S	*	10/2004	Resultan	D6/300
D613,080	S	*	4/2010	Tsuchiyama	D6/332
D737,234	S	*	8/2015	Kim	D14/126
9,473,839	B2	*	10/2016	Yu	H04R 1/028
D772,830	S	*	11/2016	Kim	D14/126
D772,833	S	*	11/2016	Han	D14/126
D773,419	S	*	12/2016	Han	D14/126
D776,072	S	*	1/2017	Kim	D14/126
D778,858	S	*	2/2017	Kim	D14/126
D807,313	S	*	1/2018	Kim	D14/126
D807,846	S	*	1/2018	Kim	D14/126
D808,668	S	*	1/2018	Tsuchiyama	D6/332
D812,028	S	*	3/2018	Kim	D14/126
D813,832	S	*	3/2018	Kim	D14/126

D815,611	S	*	4/2018	Shin	D14/129
D818,977	S	*	5/2018	Kim	D14/126
D824,352	S	*	7/2018	Kim	D14/126
D824,708	S	*	8/2018	Yamamoto	D6/714
D833,433	S	*	11/2018	Catania	D14/374
D839,229	S	*	1/2019	Kim	D14/126
D852,274	S	*	6/2019	Lim	D20/39
D868,014	S	*	11/2019	Kim	D14/126
D869,439	S	*	12/2019	Kim	D14/214
D869,441	S	*	12/2019	Jeong	D14/217
10,534,402	B1	*	1/2020	Kim	G06F 1/1652
D875,698	S	*	2/2020	Kang	D14/126
D883,243	S	*	5/2020	Kim	D14/126
D883,244	S	*	5/2020	Kim	D14/129
10,642,315	B2	*	5/2020	Kim	G06F 1/1652
D886,196	S	*	6/2020	Lee	D20/39
D887,379	S	*	6/2020	Cha	D14/126
D887,380	S	*	6/2020	Lee	D14/126
2007/0035671	A1	*	2/2007	Ryu	H04N 5/64 348/794
2016/0374228	A1	*	12/2016	Park	H05K 5/0017
2017/0079149	A1	*	3/2017	Lee	H01L 51/524
2020/0073444	A1	*	3/2020	Kim	H05K 1/118

OTHER PUBLICATIONS

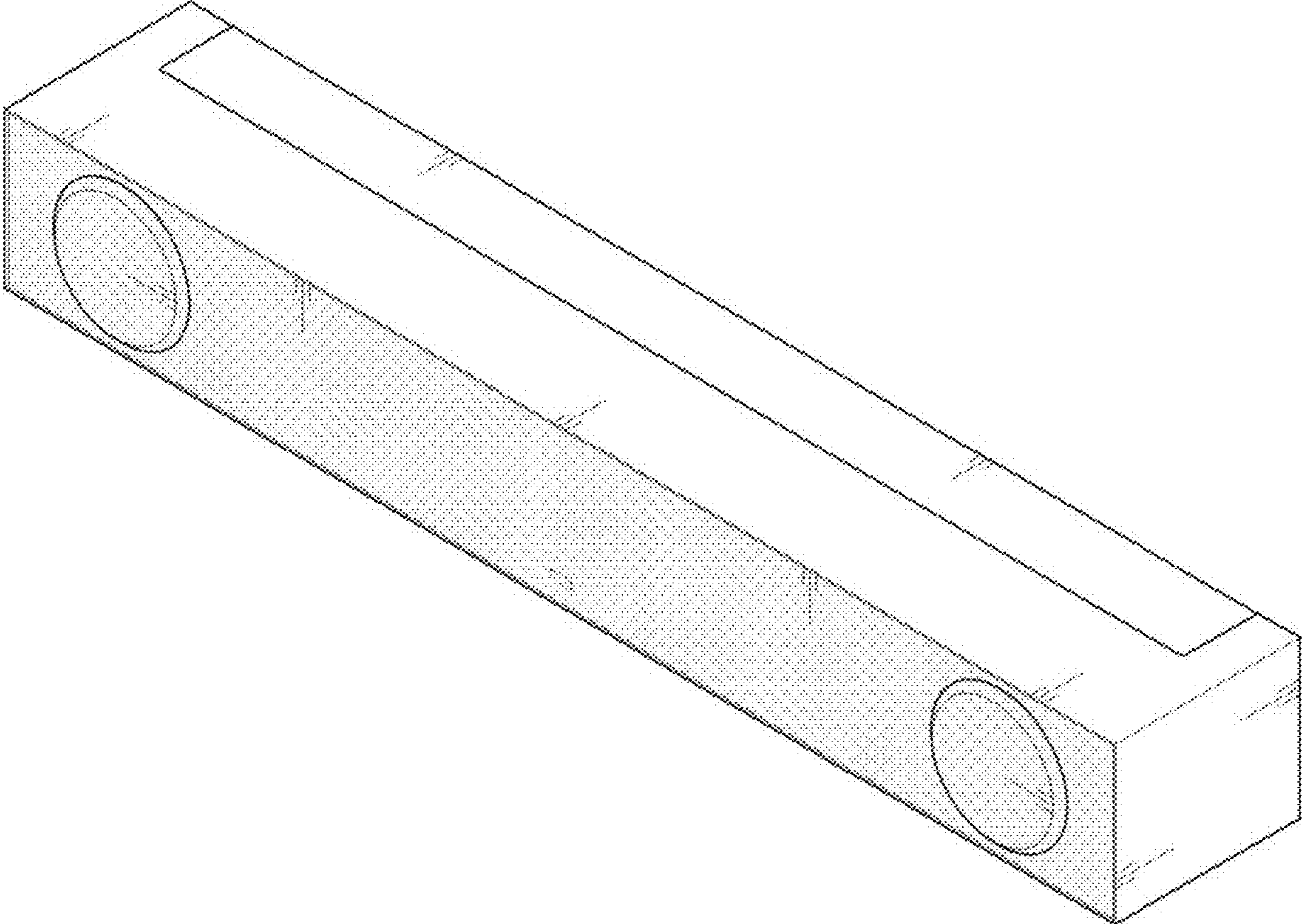
OLED TV R9, announced 2019 [online], [retrieved Mar. 1, 2020]. Available from Internet, URL: <<https://www.lg.com/global/lg-signature/oled-tv-r9>> (Year: 2019).*

How to Build a Hidden TV Lift Cabinet, announced Mar. 4, 2016, [online], [retrieved Mar. 1, 2020]. Available from Internet, URL: <<https://news.yahoo.com/build-hidden-tv-lift-cabinet-160019716.html>> (Year: 2016).*

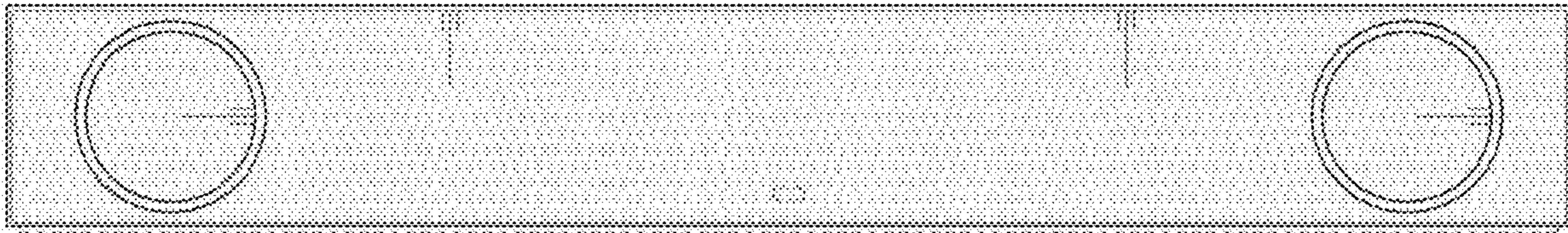
LG's groundbreaking roll-up TV is going on sale this year, announced Jan. 7, 2019 [online], [retrieved Mar. 1, 2020]. Available from Internet, URL: <<https://www.theverge.com/2019/1/7/18171013/lg-rollable-tv-oled-4k-tv-features-photos-video-release-ces-2019>> (Year: 2019).*

* cited by examiner

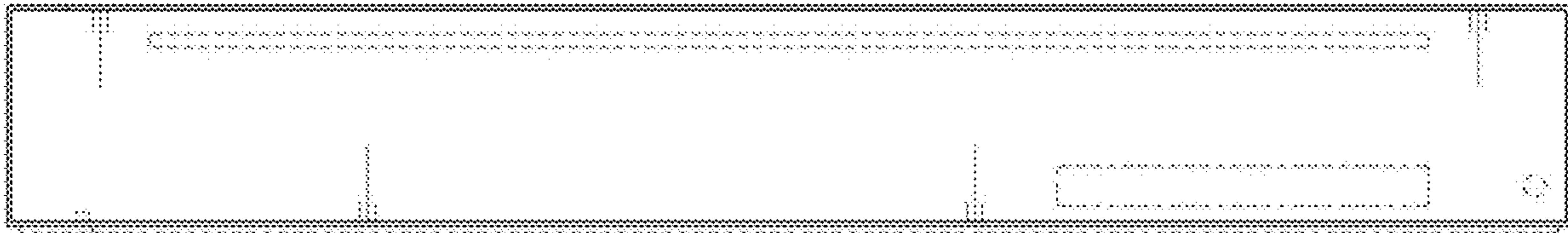
1.1



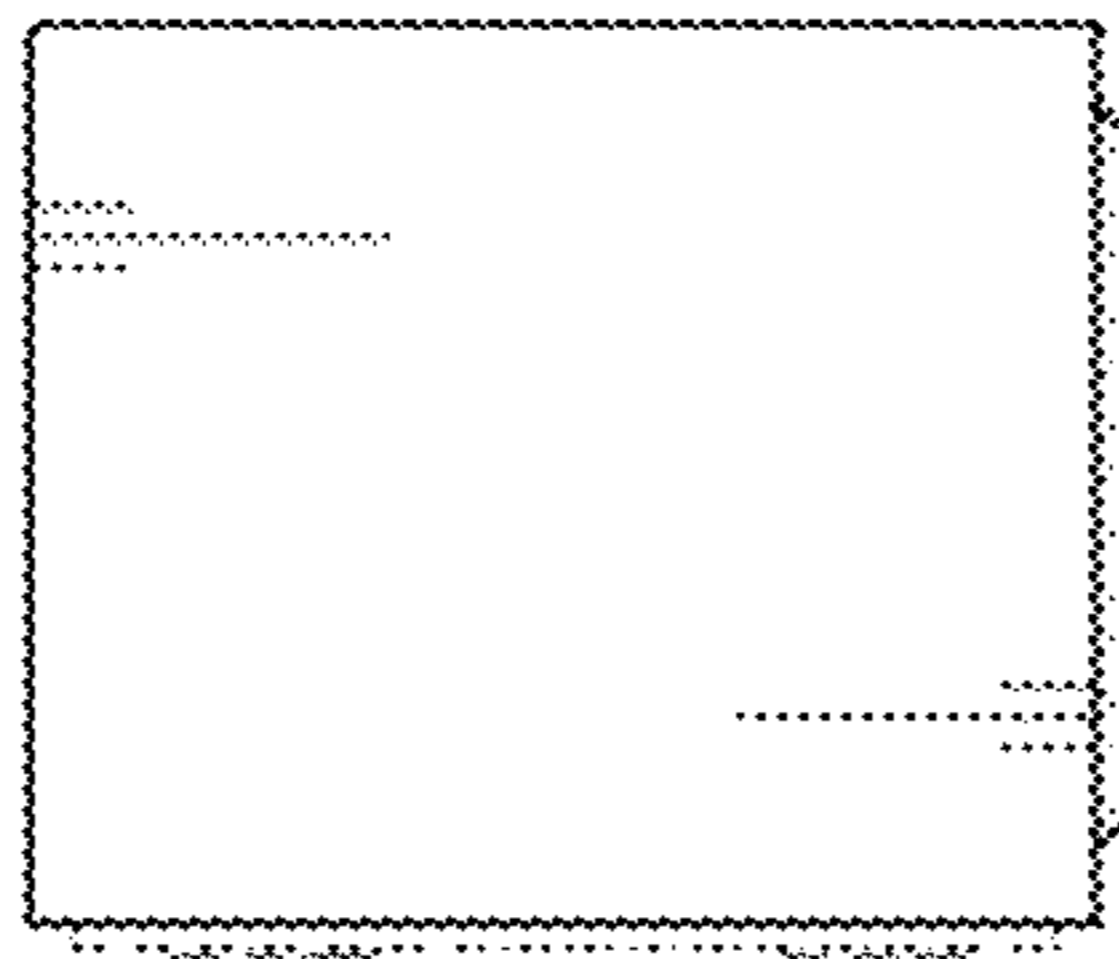
1.2



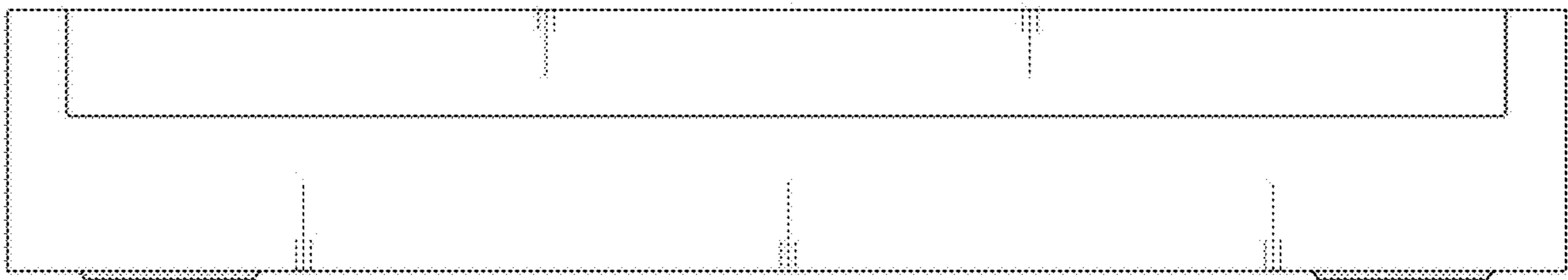
1.3



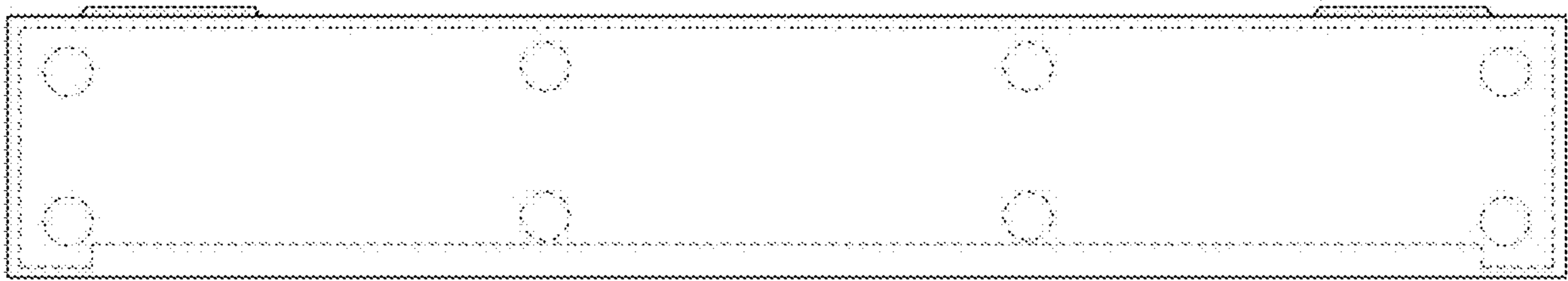
1.4



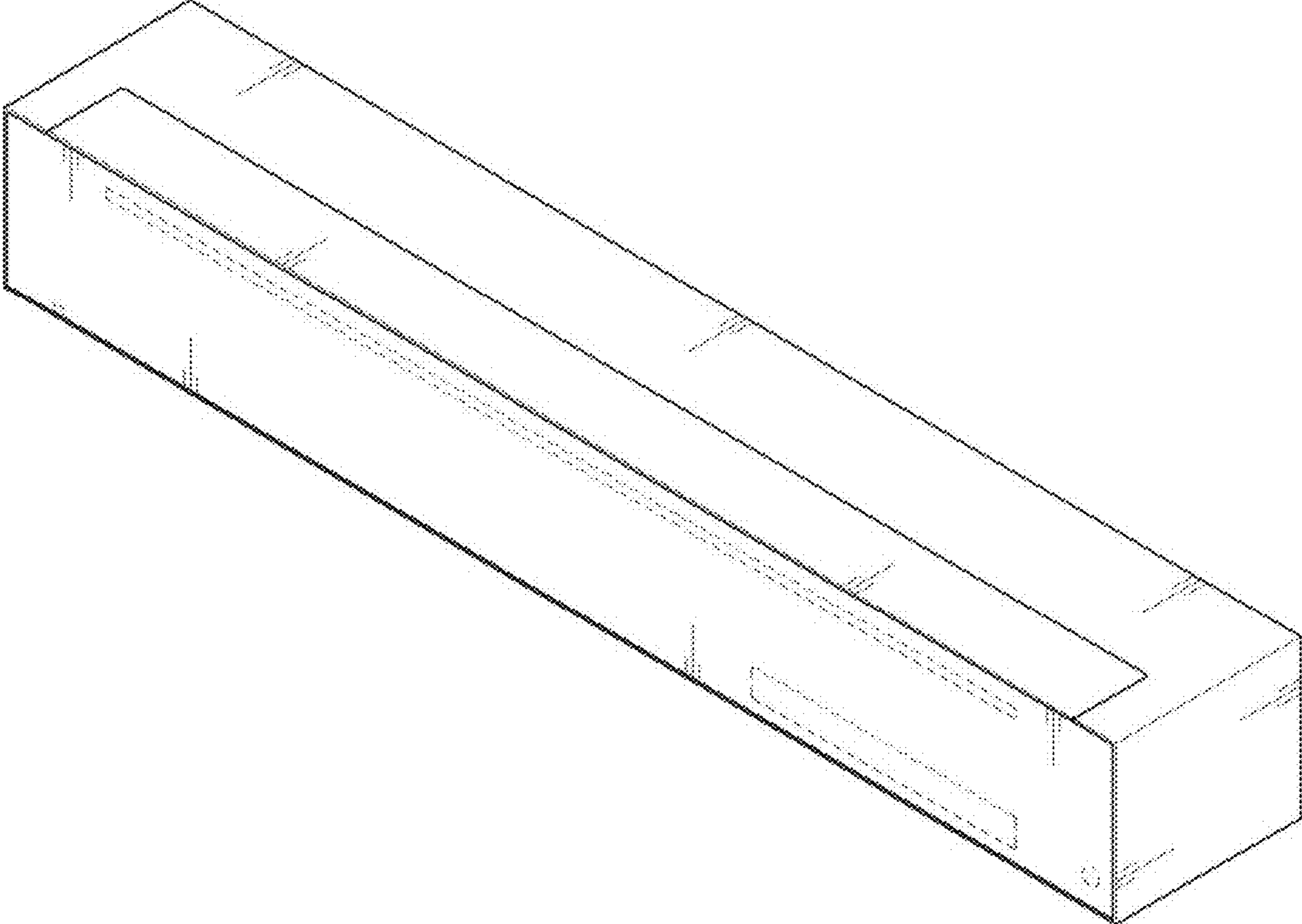
1.5



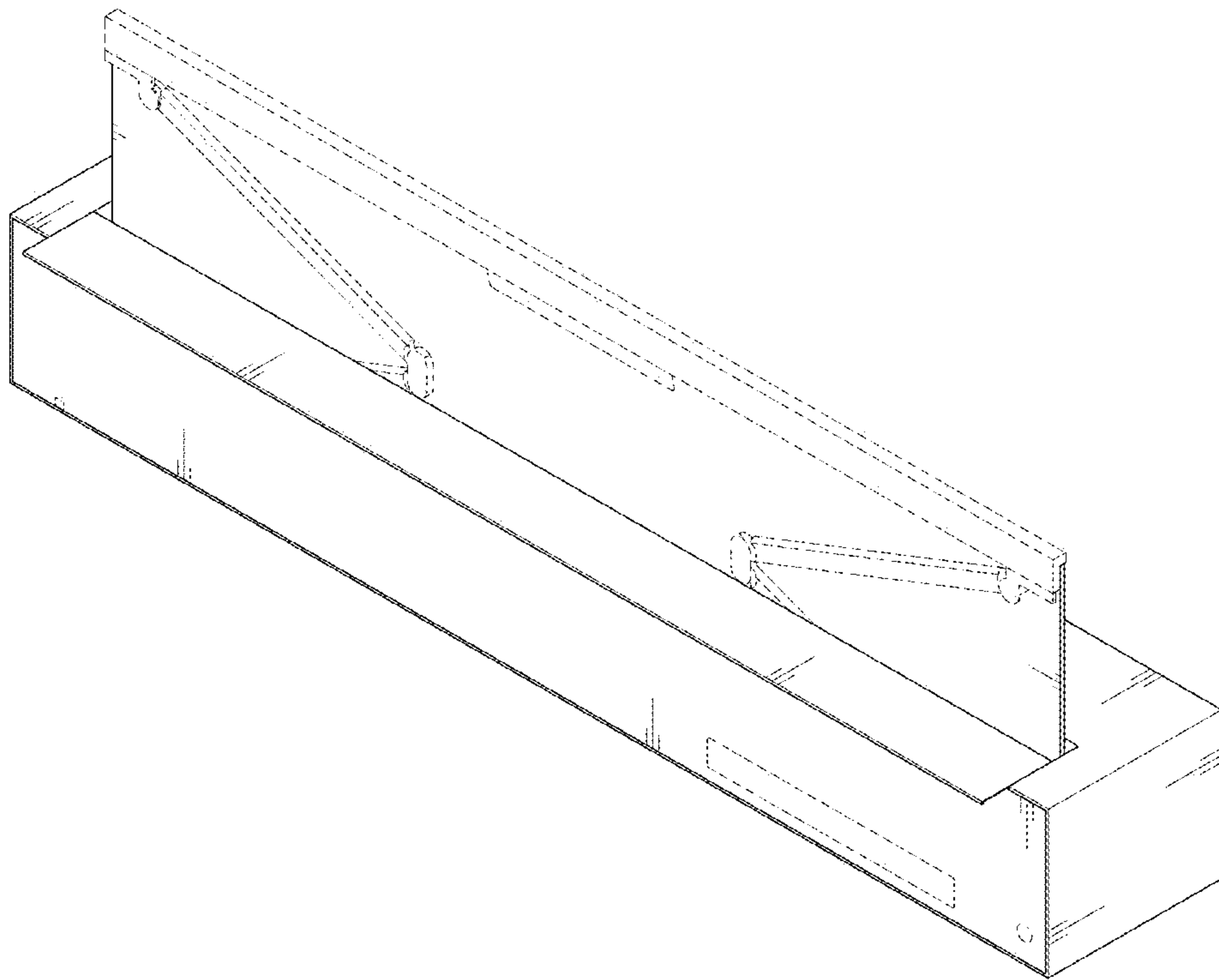
1.6



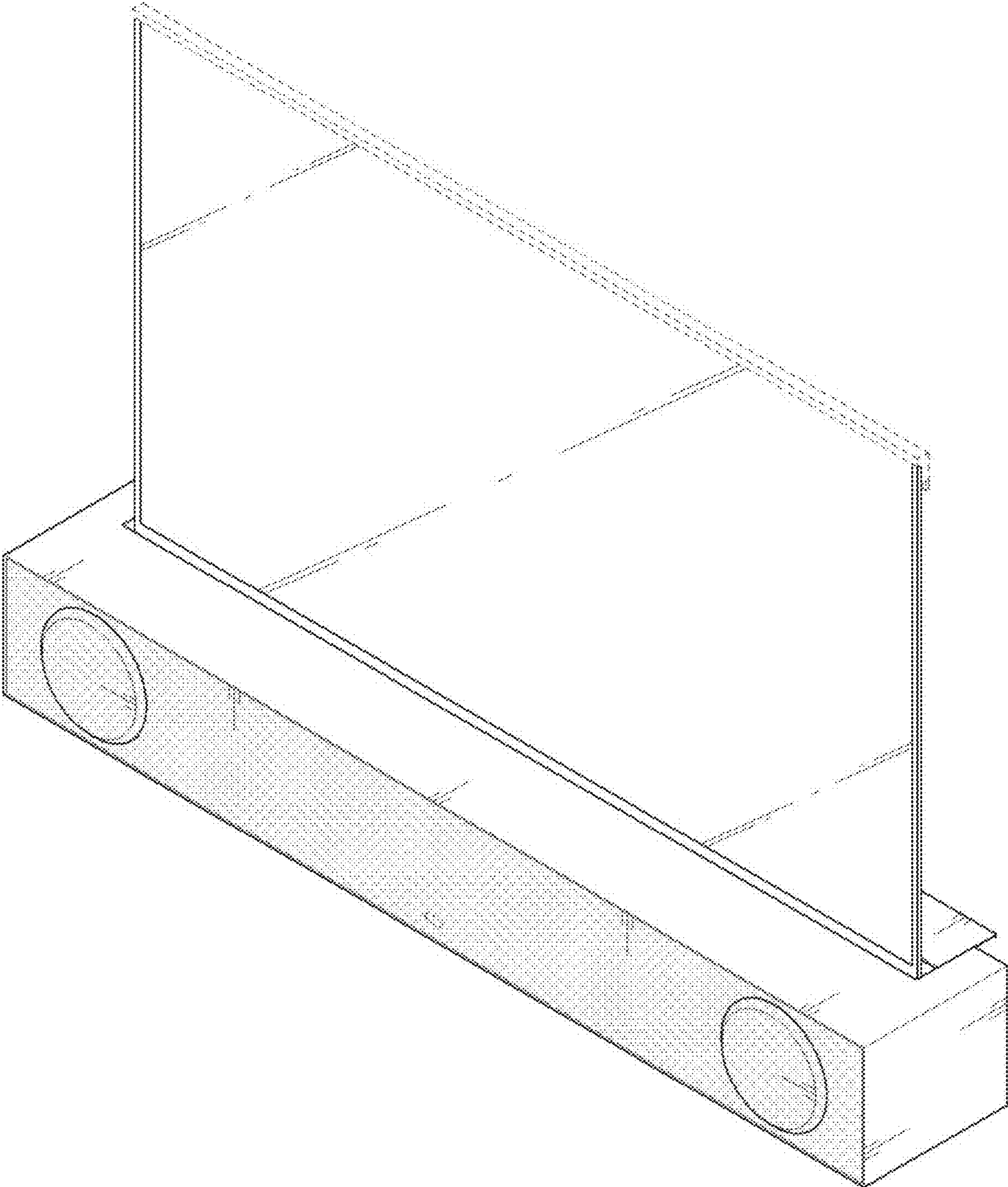
1.7



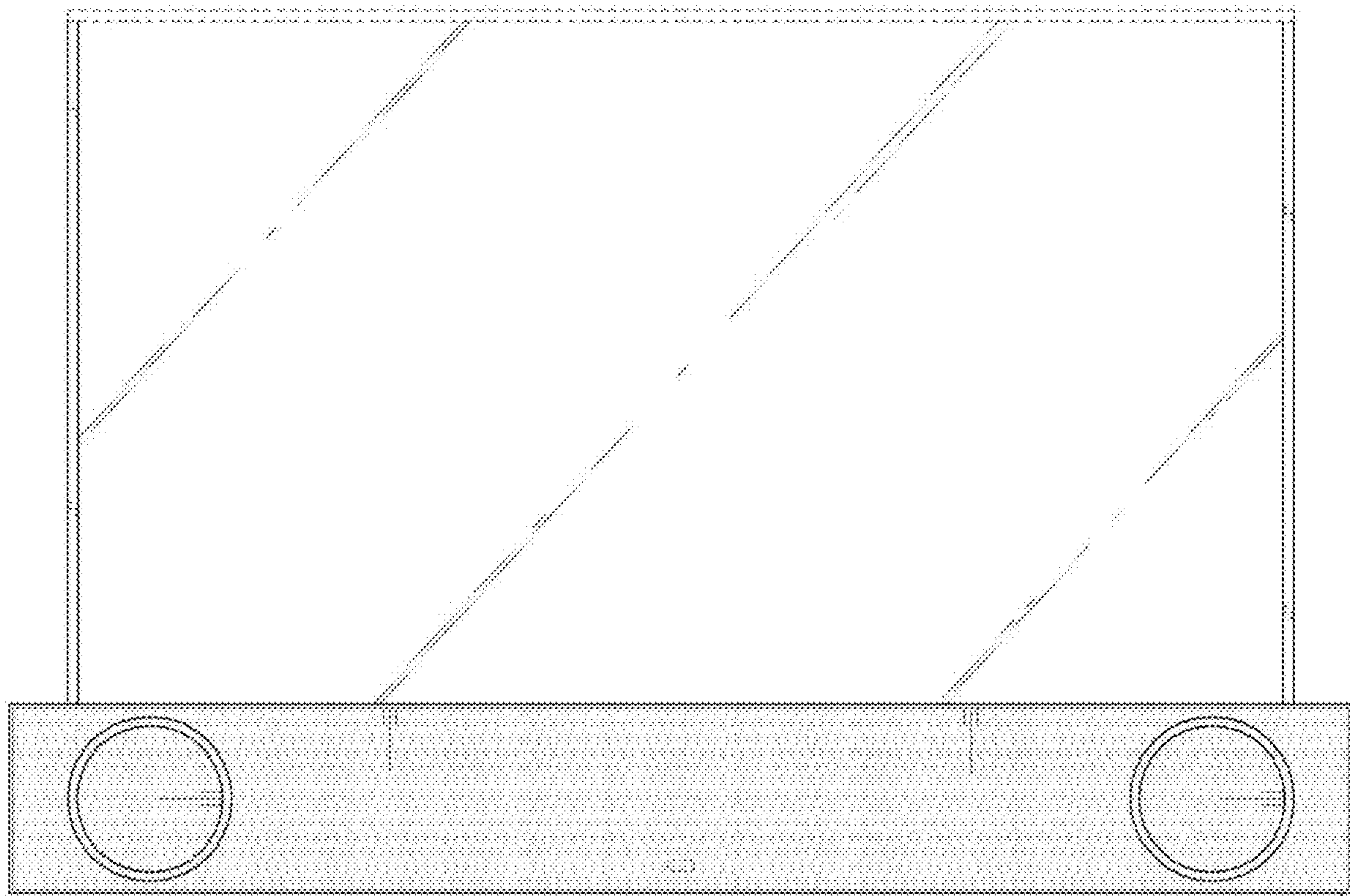
1. 8



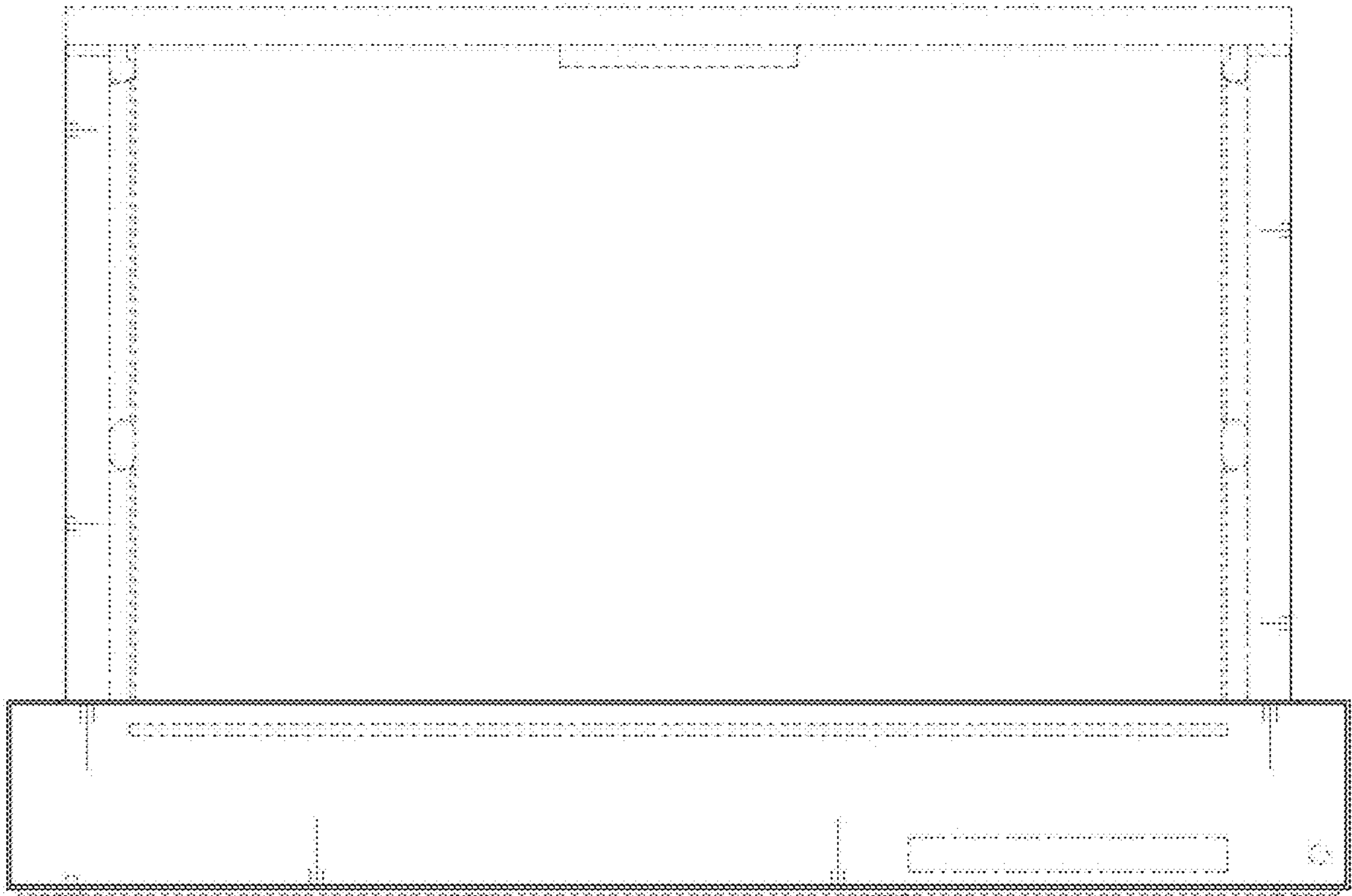
1.9



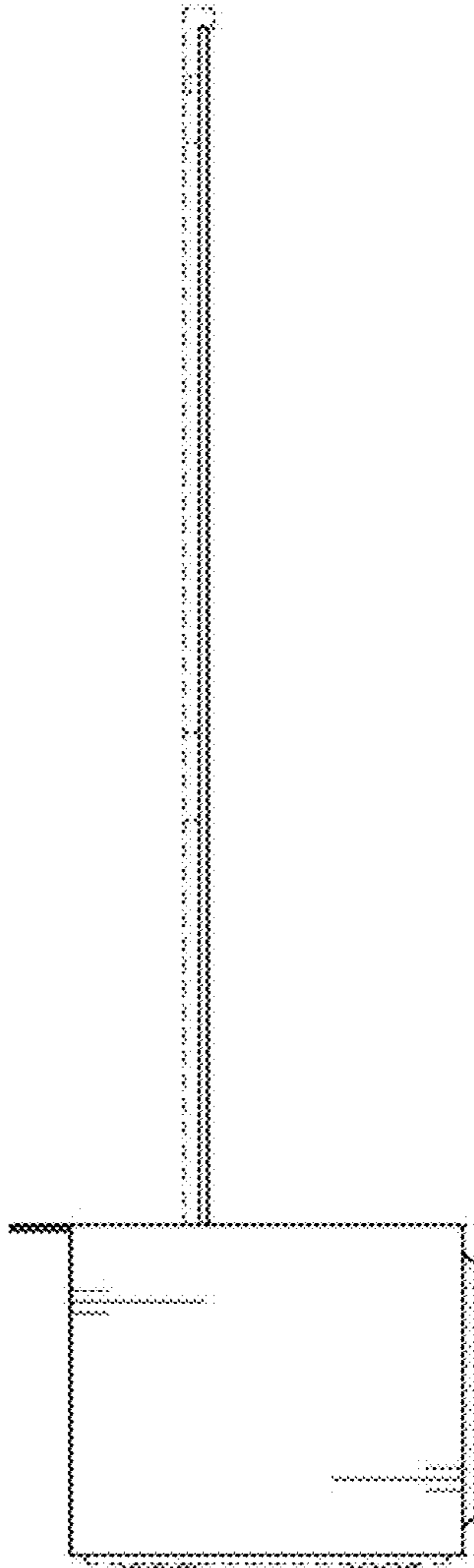
1.10



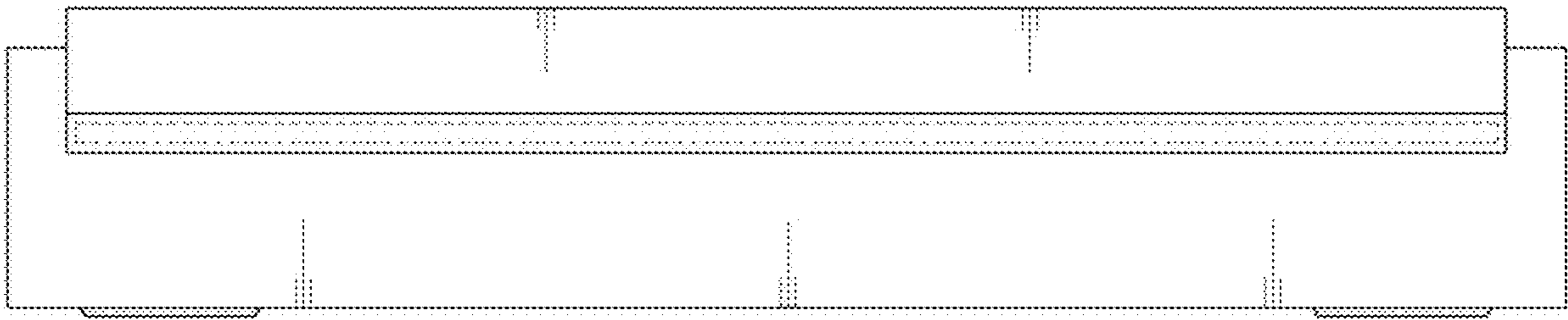
1.11



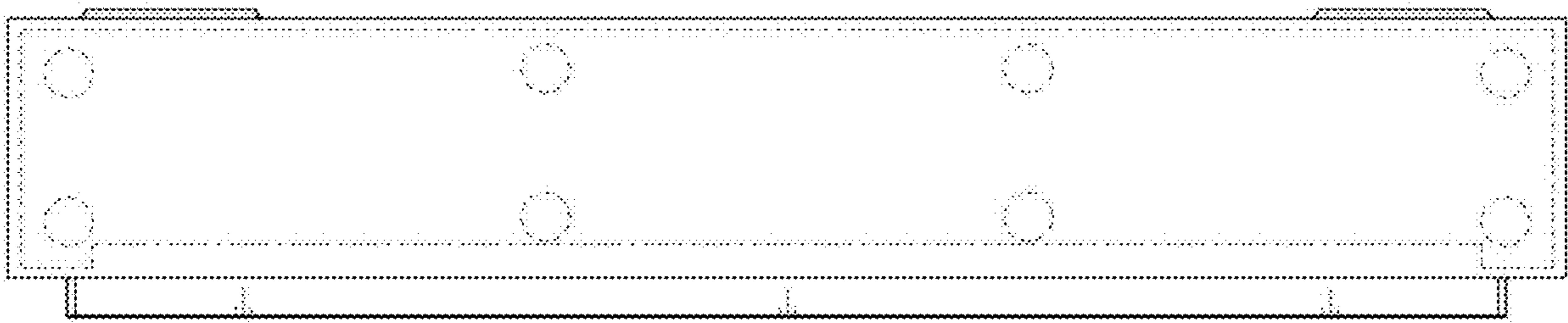
1.12



1.13



1.14



1.15

