



US00D901407S

(12) **United States Design Patent**
Kouzuma et al.

(10) **Patent No.:** **US D901,407 S**

(45) **Date of Patent:** **** Nov. 10, 2020**

(54) **INTEGRATED TYPE ION SHIELD FOR SEMICONDUCTOR MANUFACTURING APPARATUS**

2,094,286 A 9/1937 Vogt
D191,184 S 8/1961 Scholz
3,778,609 A * 12/1973 Liberman F21S 8/02
362/364

(71) Applicant: **Hitachi High-Tech Corporation**,
Tokyo (JP)

D241,875 S 10/1976 Insalaco
D263,776 S 4/1982 Ashley
4,655,913 A 4/1987 Boersma
D299,522 S 1/1989 Chalberg
4,910,811 A 3/1990 Izzi, Sr.

(72) Inventors: **Yutaka Kouzuma**, Tokyo (JP);
Michiaki Kobayashi, Tokyo (JP);
Kazuyuki Hirozane, Tokyo (JP);
Nobuya Miyoshi, Tokyo (JP); **Kohei Kawamura**, Tokyo (JP); **Hiroyuki Kobayashi**, Tokyo (JP)

(Continued)

(73) Assignee: **Hitachi High-Tech Corporation**,
Tokyo (JP)

OTHER PUBLICATIONS

U.S. Appl. No. 29/677,728, filed Jan. 23, 2019.

(Continued)

(**) Term: **15 Years**

Primary Examiner — Janice Hallmark

Assistant Examiner — Harold E Blackwell, II

(21) Appl. No.: **29/677,764**

(74) *Attorney, Agent, or Firm* — Crowell & Moring LLP

(22) Filed: **Jan. 23, 2019**

(57) **CLAIM**

(30) **Foreign Application Priority Data**

The ornamental design for an integrated type ion shield for semiconductor manufacturing apparatus, as shown and described.

Jul. 24, 2018 (JP) 2018-016191

(51) **LOC (12) Cl.** **13-03**

(52) **U.S. Cl.**
USPC **D13/184; D26/138**

(58) **Field of Classification Search**
USPC D13/184; D26/1, 24, 74, 72, 36, 59, 118,
D26/133, 134

CPC H01R 5/00; H01R 13/46; H01R 13/514;
H01R 31/02; F21V 5/00; H01J 19/54;
H01J 5/48; H01J 1/02; H01J 5/16; H01J
5/00; H01J 5/50; H01L 33/642; H01L
33/643; H01L 33/644

See application file for complete search history.

DESCRIPTION

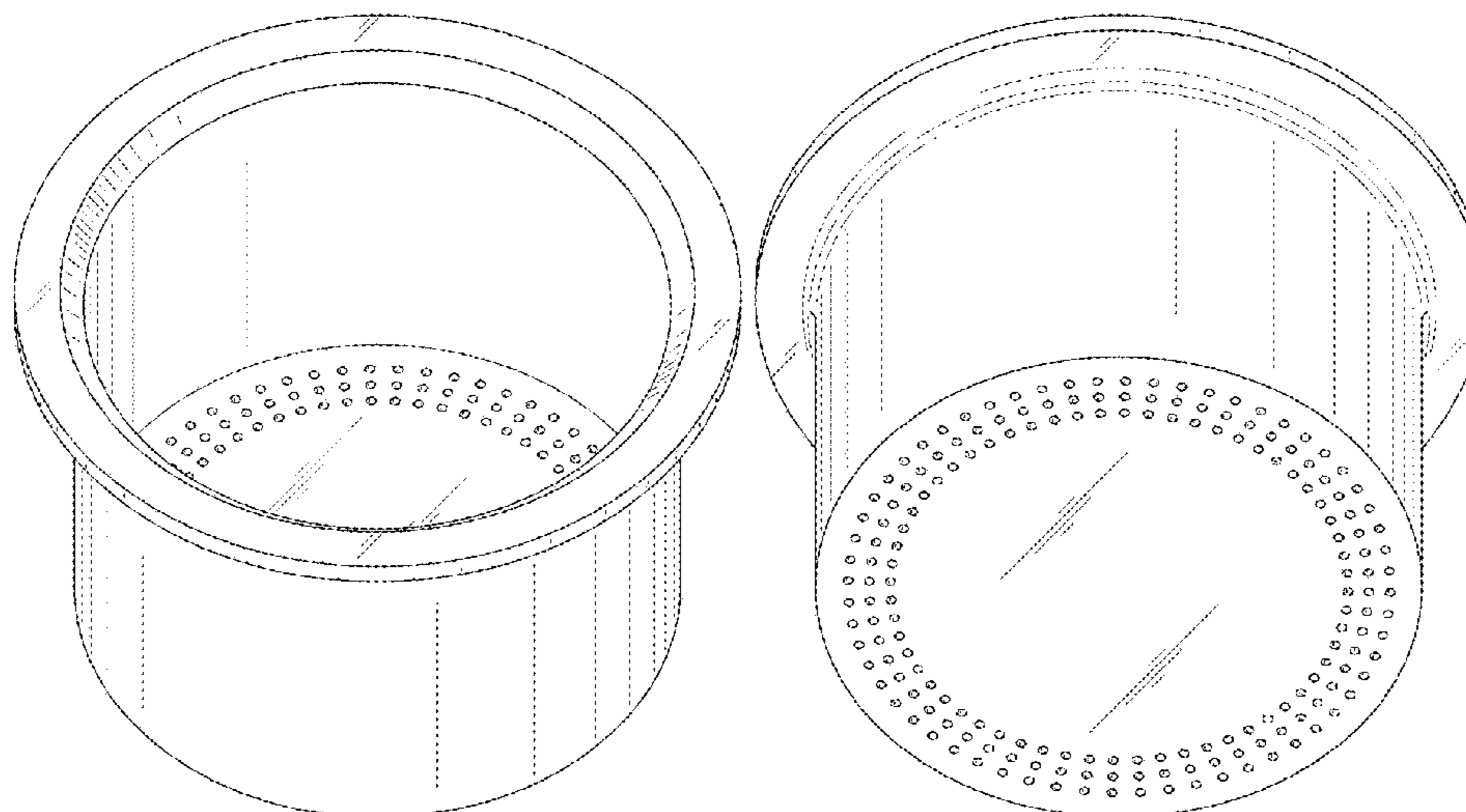
FIG. 1 is a front, top and right side perspective view of an integrated type ion shield for semiconductor manufacturing apparatus according to the design;
FIG. 2 is a rear, bottom and left side perspective view thereof;
FIG. 3 is a front elevational view thereof;
FIG. 4 is a rear elevational view thereof;
FIG. 5 is a right side elevational view thereof;
FIG. 6 is a left side elevational view thereof;
FIG. 7 is a top plan view thereof;
FIG. 8 is a bottom plan view thereof; and,
FIG. 9 is a cross-sectional view taken along line 9-9 of FIG. 7.

(56) **References Cited**

U.S. PATENT DOCUMENTS

1,009,027 A 11/1911 Troutman
1,168,374 A 1/1916 Barker

1 Claim, 7 Drawing Sheets



(56)

References Cited

U.S. PATENT DOCUMENTS

D308,419 S 6/1990 Mason
 D419,652 S 1/2000 Hall et al.
 D552,308 S 10/2007 Farr
 D563,529 S 3/2008 Labonte
 D577,159 S 9/2008 Hasapoglou
 D629,875 S 12/2010 Sears
 D670,794 S 11/2012 Antonello
 D687,471 S 8/2013 Fu et al.
 D694,359 S 11/2013 Schoenherr et al.
 D701,181 S 3/2014 Meyer
 D701,249 S 3/2014 Fritsch et al.
 D706,407 S * 6/2014 Wang D23/385
 D712,443 S 9/2014 Simon
 D723,153 S * 2/2015 Borkholder D23/411
 D726,367 S 4/2015 Dukat
 D732,644 S 6/2015 Yamagishi et al.
 D746,955 S 1/2016 Corder
 D754,829 S 4/2016 Krombein
 D764,205 S 8/2016 MacAri et al.
 D779,045 S 2/2017 Johansen
 D787,023 S 5/2017 Ball
 D808,248 S * 1/2018 Krombein D8/354
 D809,094 S 1/2018 Naeslund et al.
 D812,519 S 3/2018 MacAri et al.
 D816,132 S 4/2018 Nymark
 D830,981 S 10/2018 Jeong et al.
 10,101,015 B2 * 10/2018 Benghozi F21S 8/026

D851,224 S 6/2019 Krombein
 D858,192 S 9/2019 Lo
 D860,498 S * 9/2019 Engle D26/72
 D861,129 S 9/2019 Logar
 D861,447 S 10/2019 Strickland
 D868,947 S 12/2019 Cherng
 D874,617 S 2/2020 Chen
 D874,870 S 2/2020 Parker
 D881,338 S 4/2020 Chen
 D884,873 S * 5/2020 Bortnick D23/411
 D886,957 S 6/2020 Song et al.
 2004/0072510 A1 4/2004 Kinoshita et al.
 2004/0093666 A1 5/2004 Zars
 2006/0285310 A1 * 12/2006 Shyu F04D 25/088
 362/96
 2008/0081546 A1 4/2008 Takinami et al.
 2011/0069501 A1 * 3/2011 Chou F21K 9/00
 362/373
 2012/0223208 A1 9/2012 Tehensky
 2013/0056142 A1 3/2013 Fiore et al.
 2013/0152298 A1 6/2013 Lyristakis
 2016/0122995 A1 5/2016 Corder

OTHER PUBLICATIONS

U.S. Appl. No. 29/677,753, filed Jan. 23, 2019.
 Notice of Allowance issued in related U.S. Appl. No. 29/677,753,
 dated Jun. 26, 2020, (11 pages).

* cited by examiner

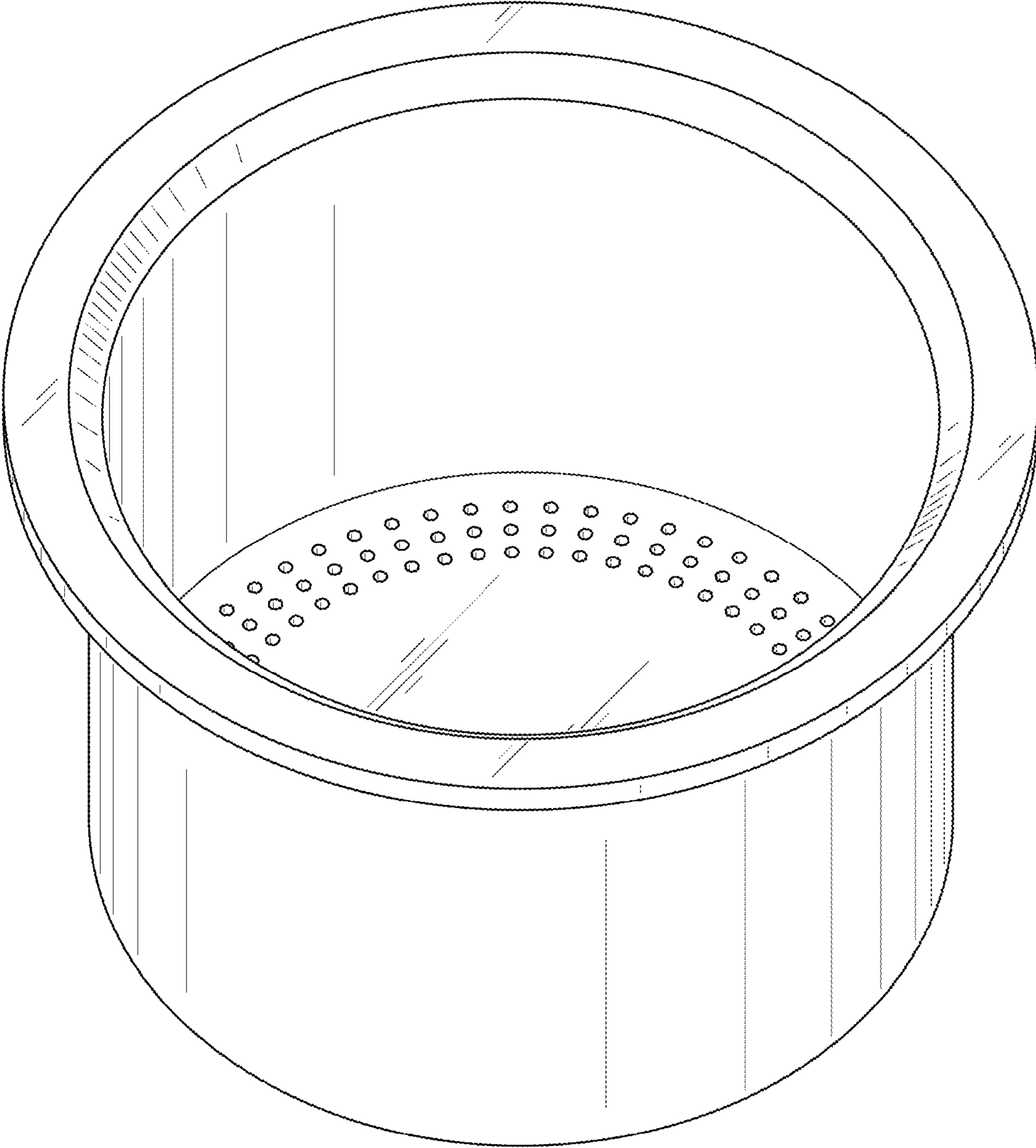


FIG. 1

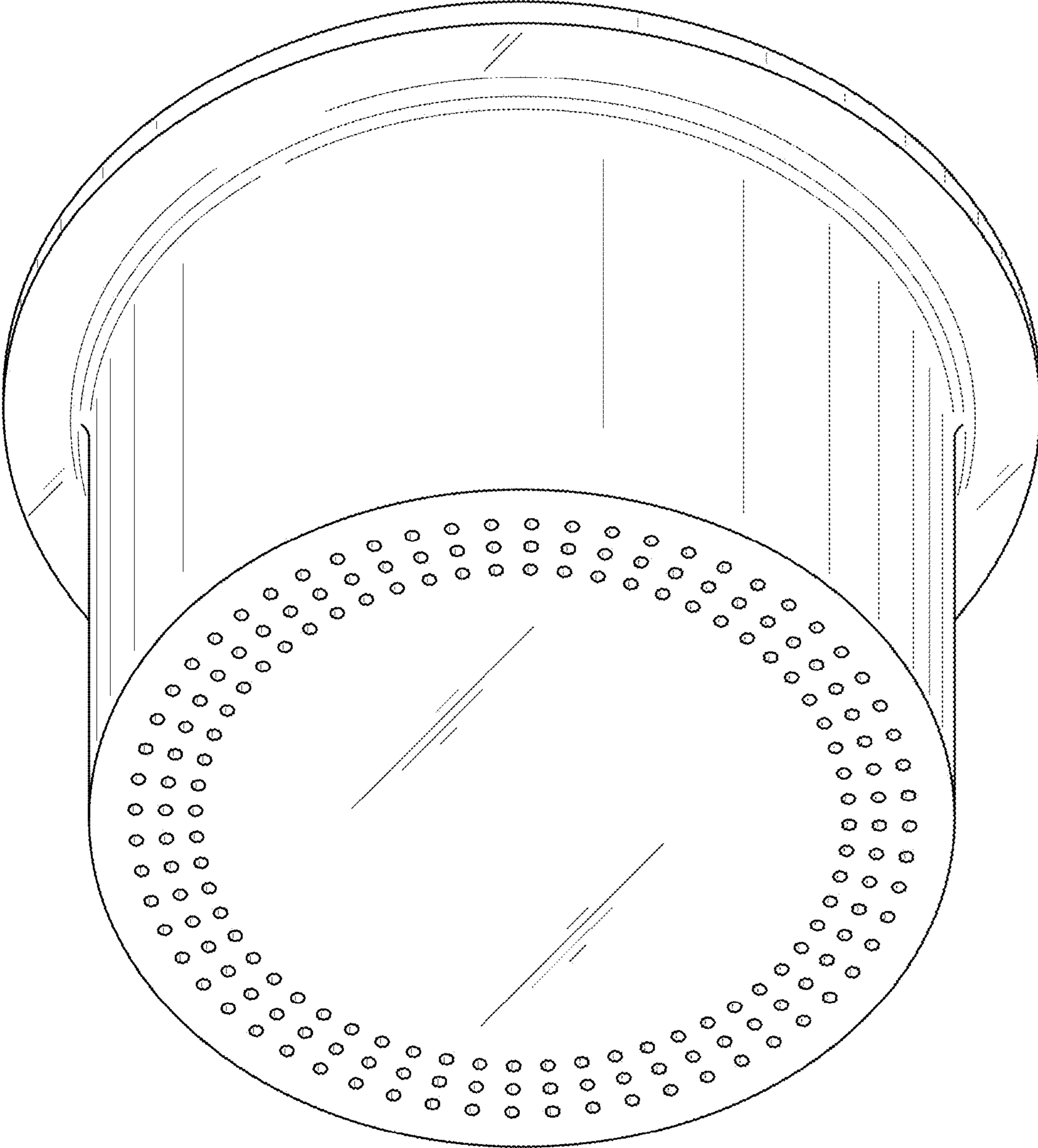


FIG. 2

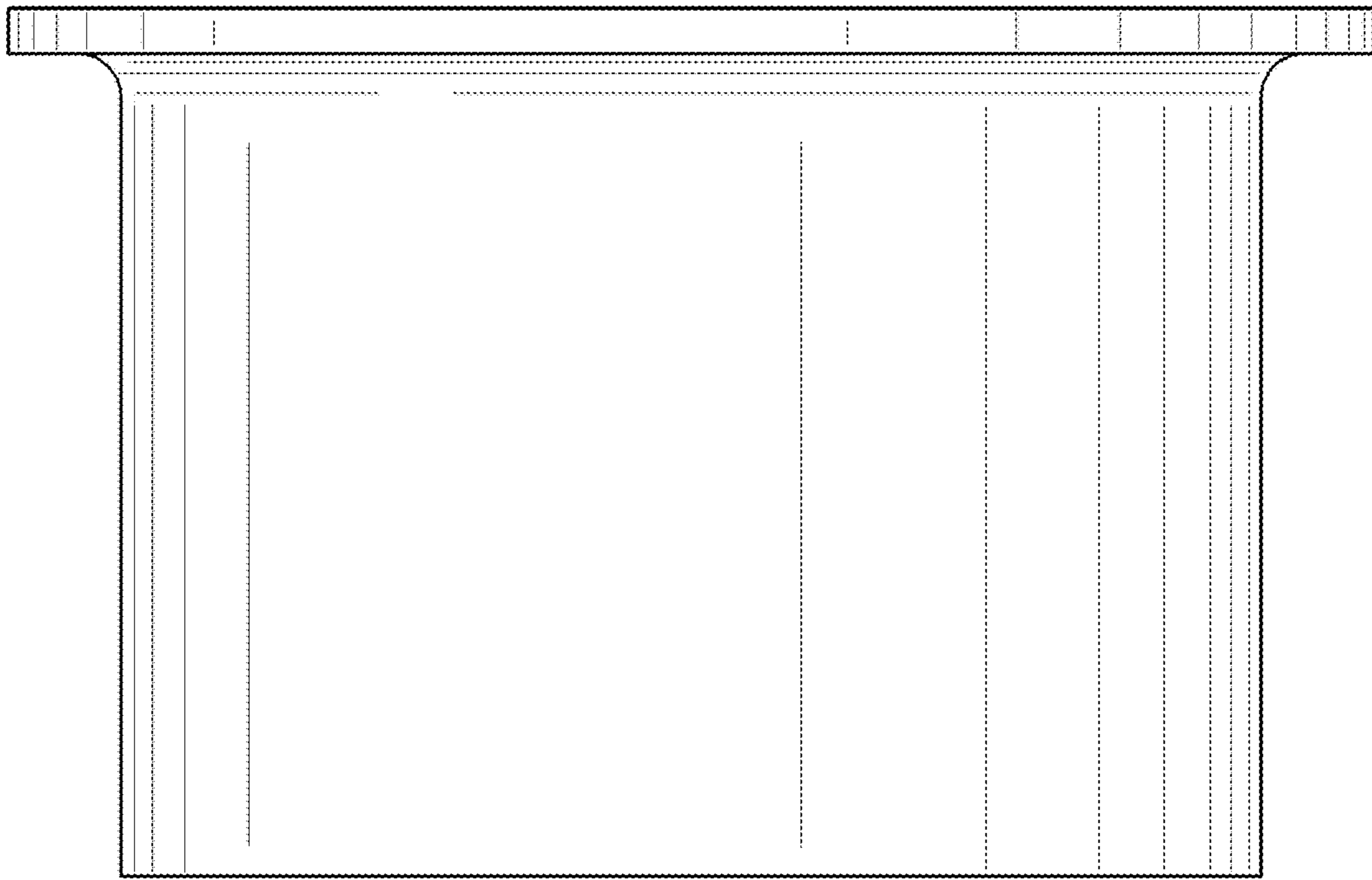


FIG. 3

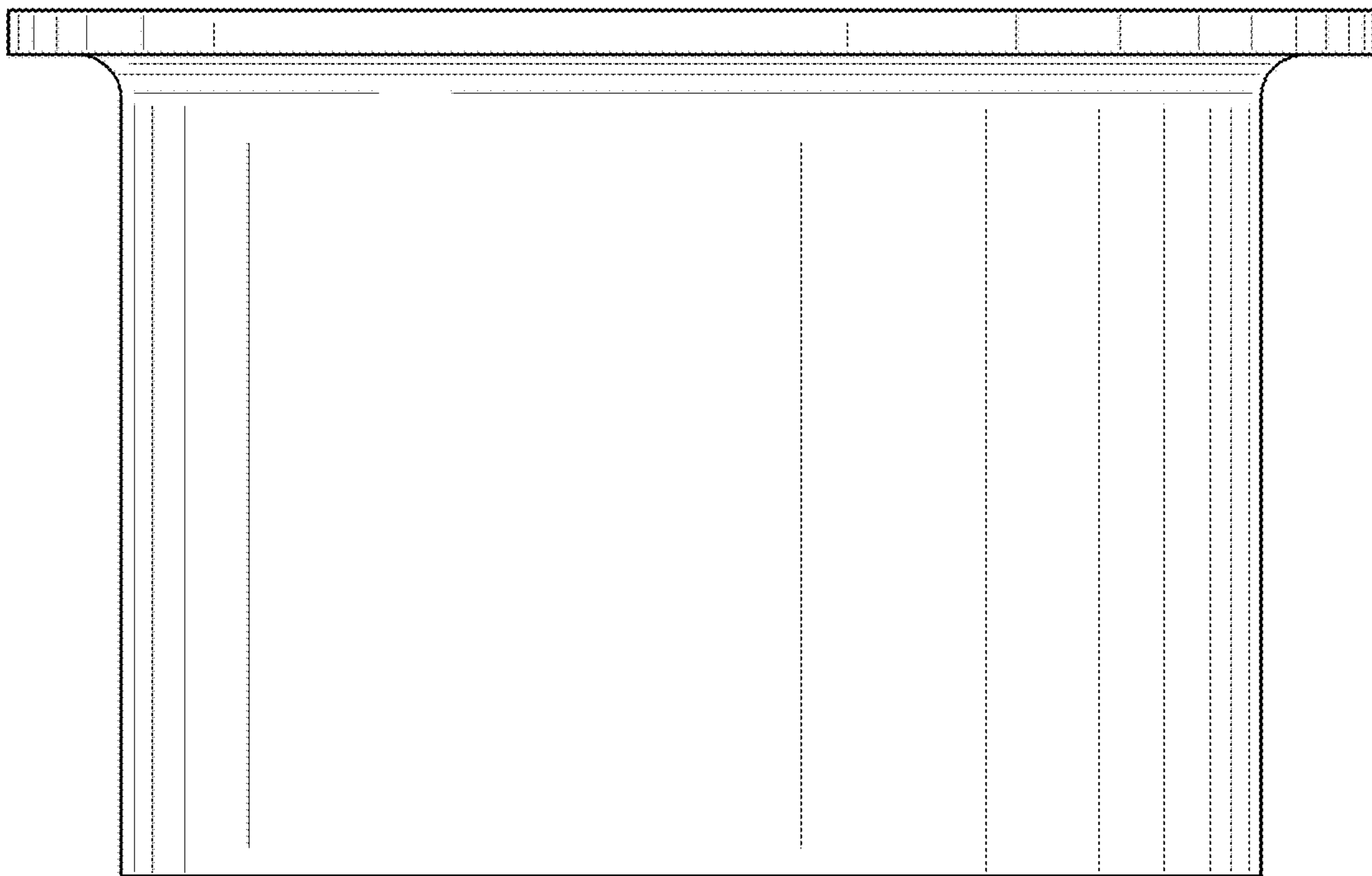


FIG. 4

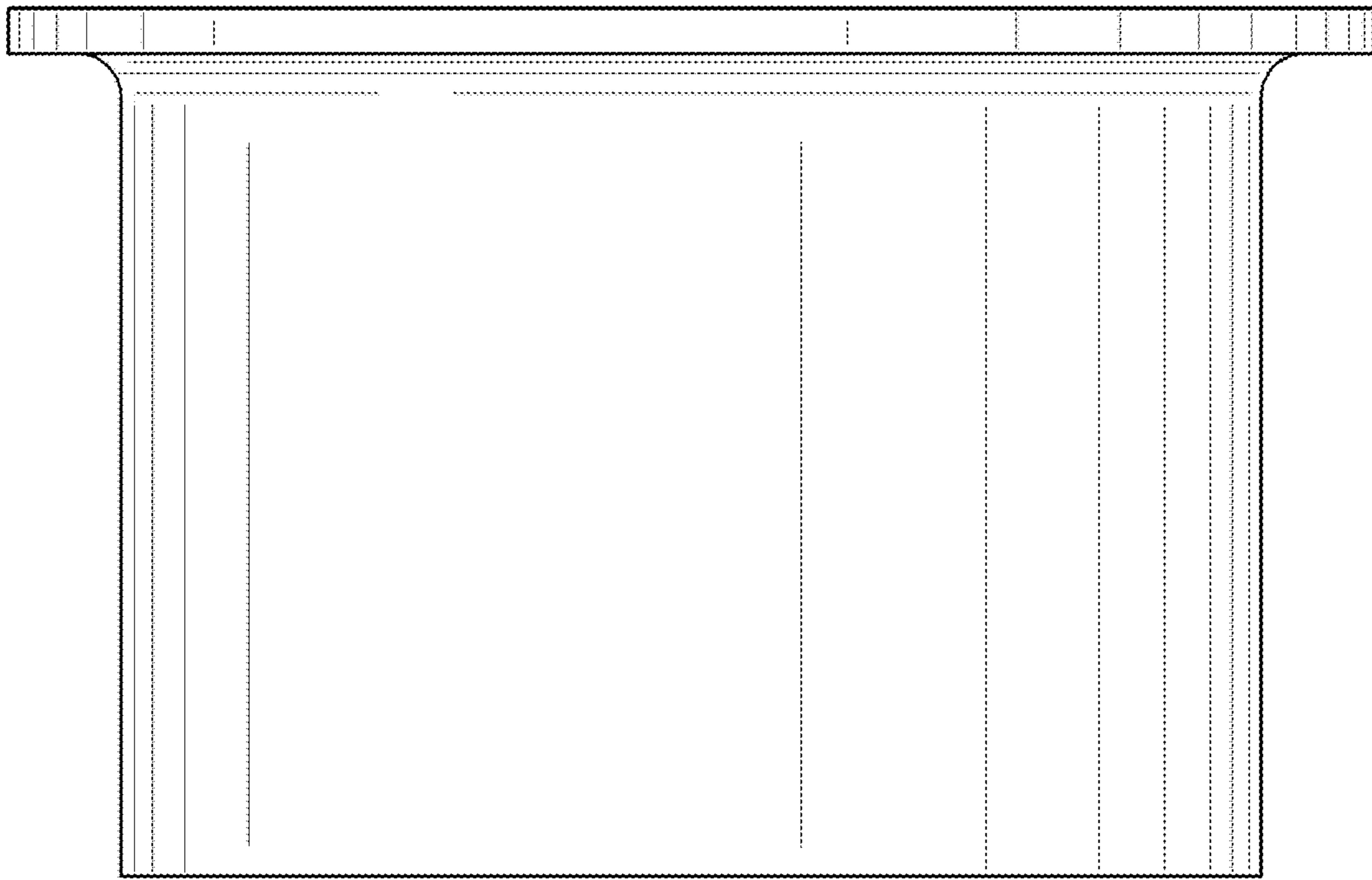


FIG. 5

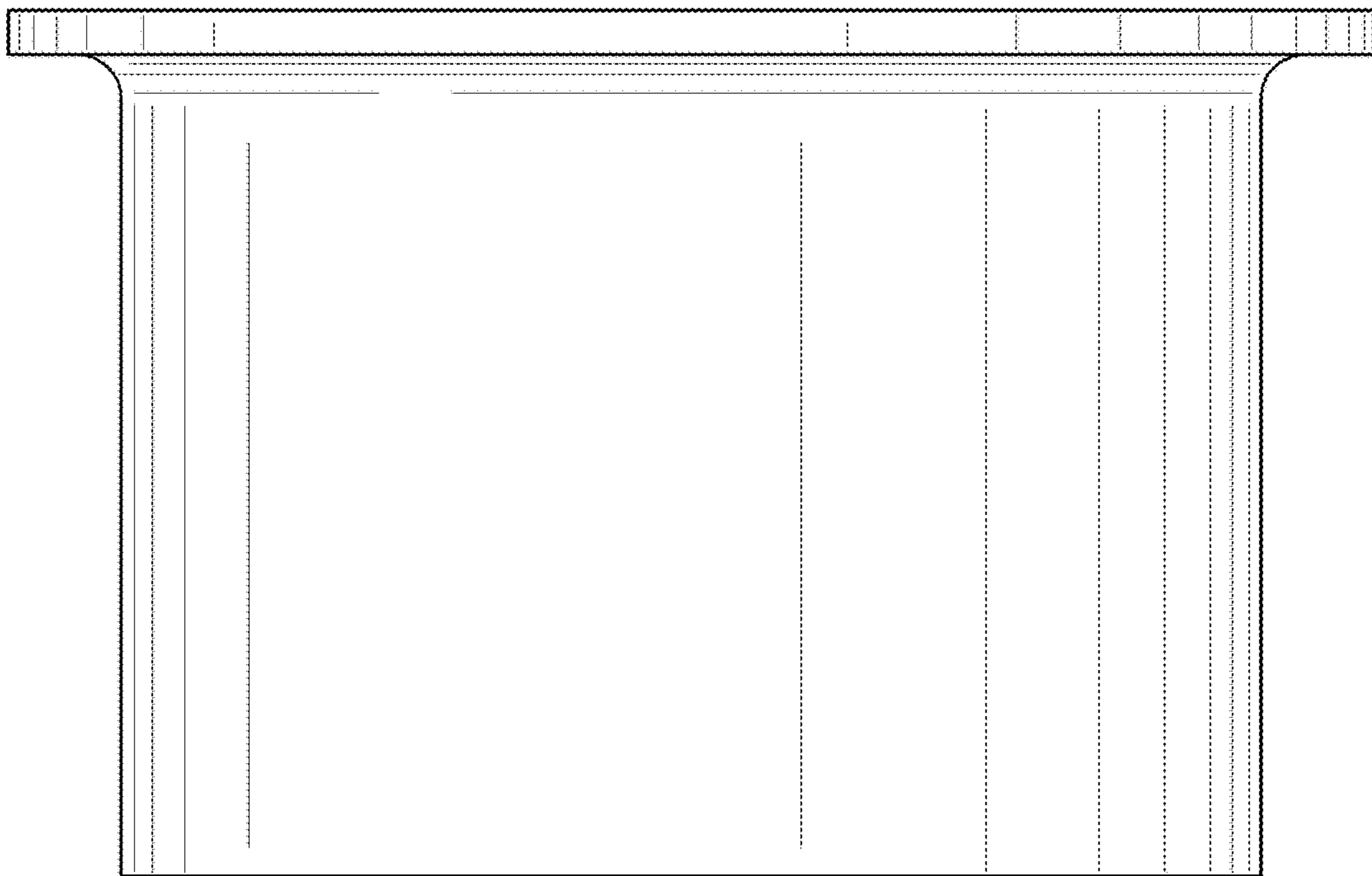


FIG. 6

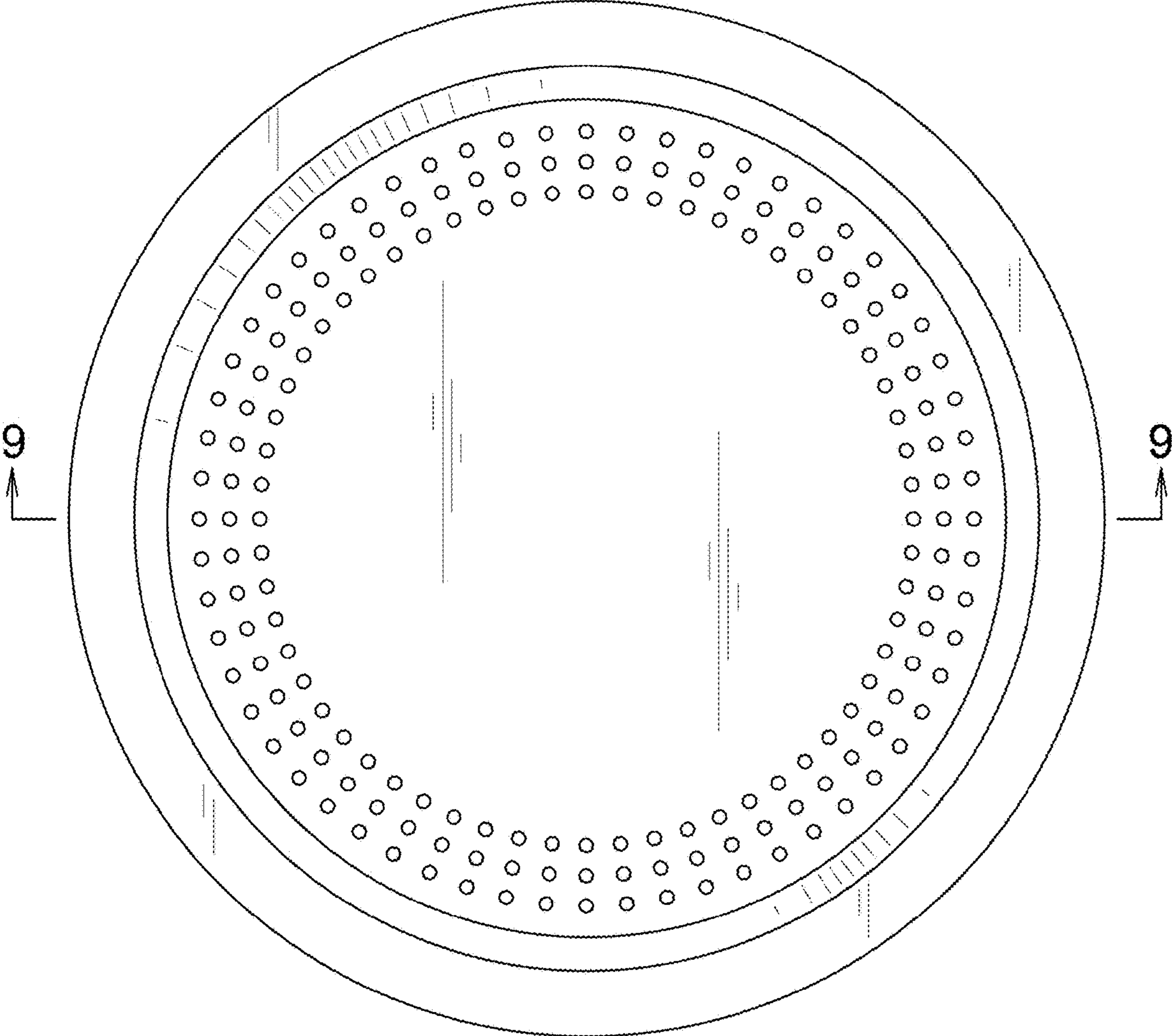


FIG. 7

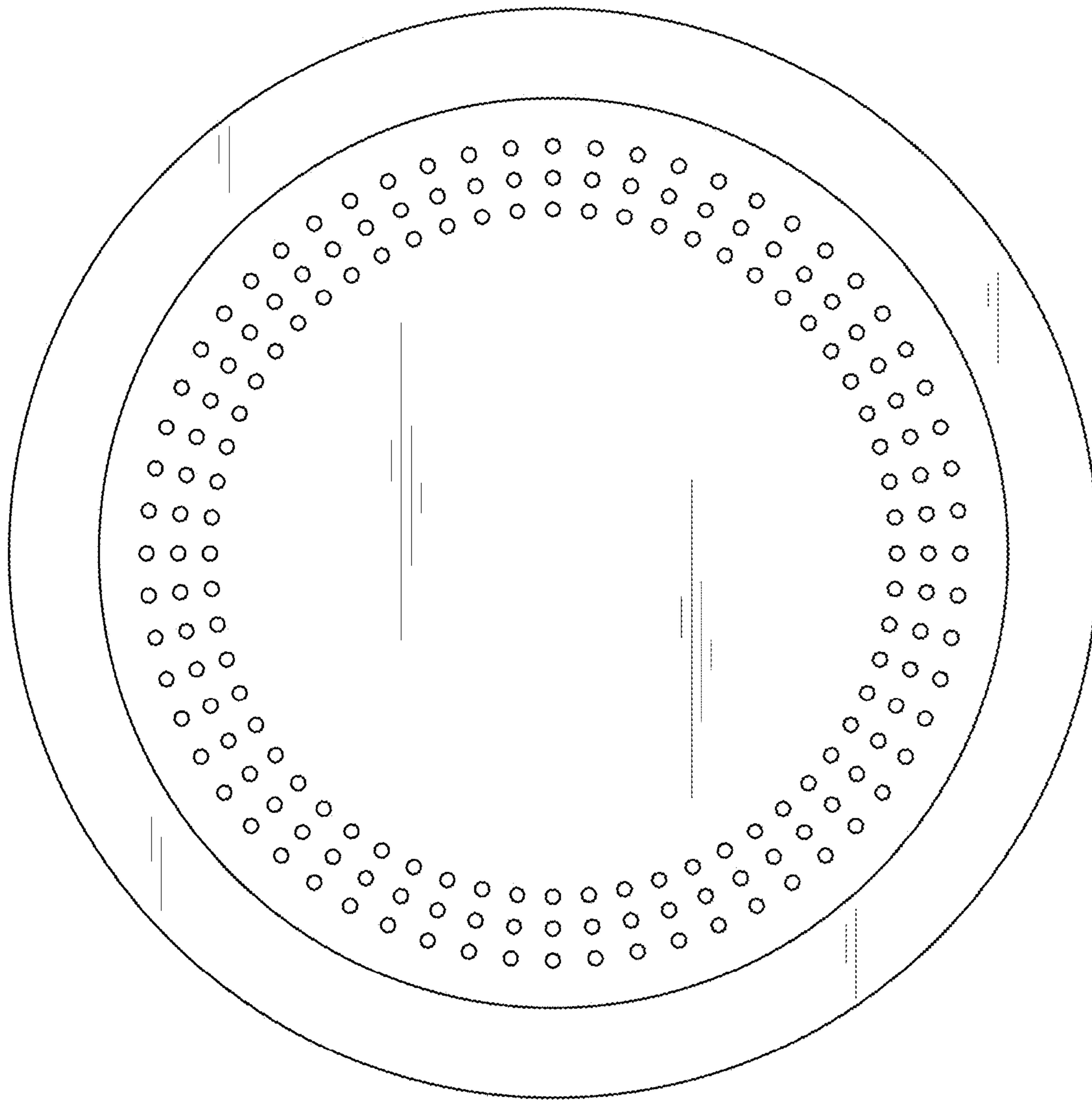


FIG. 8

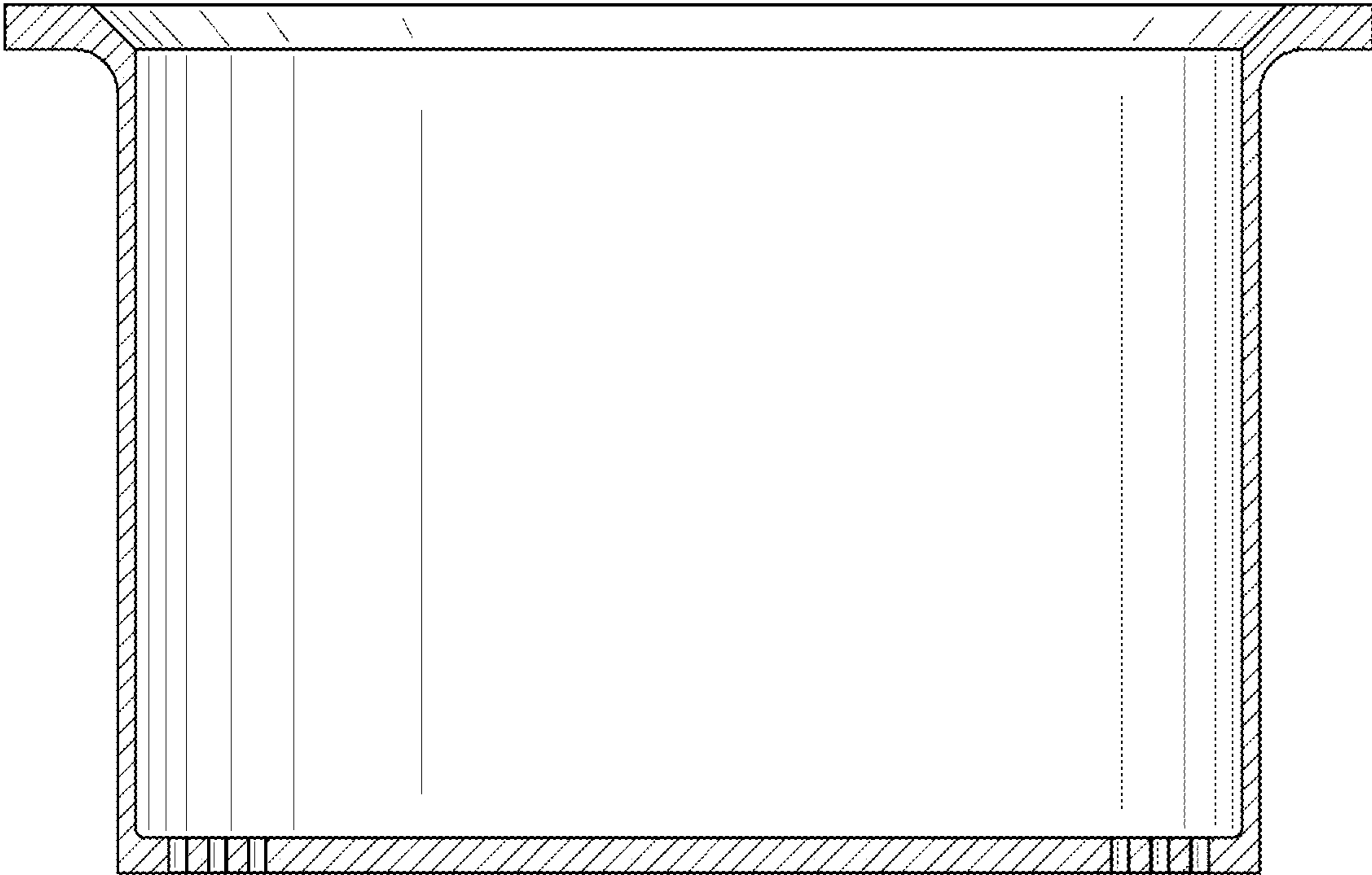


FIG. 9