



US00D901403S

(12) **United States Design Patent** (10) **Patent No.:** **US D901,403 S**  
**Ice et al.** (45) **Date of Patent:** **\*\* Nov. 10, 2020**

(54) **SURFACE-MOUNTABLE HEAT SINK**  
(71) Applicants: **Chad Ice**, Nashville, TN (US); **Vernon Price**, Hendersonville, TN (US)  
(72) Inventors: **Chad Ice**, Nashville, TN (US); **Vernon Price**, Hendersonville, TN (US)

(73) Assignee: **OSRAM SYLVANIA Inc.**, Wilmington, MA (US)

(\*\*) Term: **15 Years**

(21) Appl. No.: **29/654,650**

(22) Filed: **Jun. 26, 2018**

(51) **LOC (12) Cl.** ..... **13-03**

(52) **U.S. Cl.**  
USPC ..... **D13/179**

(58) **Field of Classification Search**  
USPC ..... D13/179, 182; D15/199; D26/138, 141, D26/152, 142  
CPC ... H01L 23/473; H01L 23/4735; H01L 23/46; H01L 23/467; H01L 23/4006; H01L 23/427; H01L 23/3672; F28D 15/00; F28D 15/02; F28D 15/0275; F28F 31/02; G06F 1/20; G06F 2200/201  
See application file for complete search history.

(56) **References Cited**

U.S. PATENT DOCUMENTS

D295,281 S \* 4/1988 Moore ..... D13/179  
5,205,690 A \* 4/1993 Roth ..... E04B 1/4121  
411/180  
D394,043 S \* 5/1998 Campanella ..... D13/179  
D409,157 S \* 5/1999 Holland ..... D13/179  
5,957,644 A \* 9/1999 Vaughan ..... E04B 1/4157  
411/82

D645,865 S \* 9/2011 Diehl ..... D14/299  
D653,592 S \* 2/2012 Brown ..... D12/162  
D658,977 S \* 5/2012 Riddell ..... D8/394  
D670,159 S \* 11/2012 Bitarchas ..... D8/394  
D732,373 S \* 6/2015 Wagner ..... D8/349  
D758,968 S \* 6/2016 El Zakhem ..... D13/122  
D821,851 S \* 7/2018 Stahl ..... D8/354  
10,028,371 B2 \* 7/2018 Jeon ..... H01L 23/3672

\* cited by examiner

*Primary Examiner* — April Rivas

(74) *Attorney, Agent, or Firm* — Edward S. Podszus

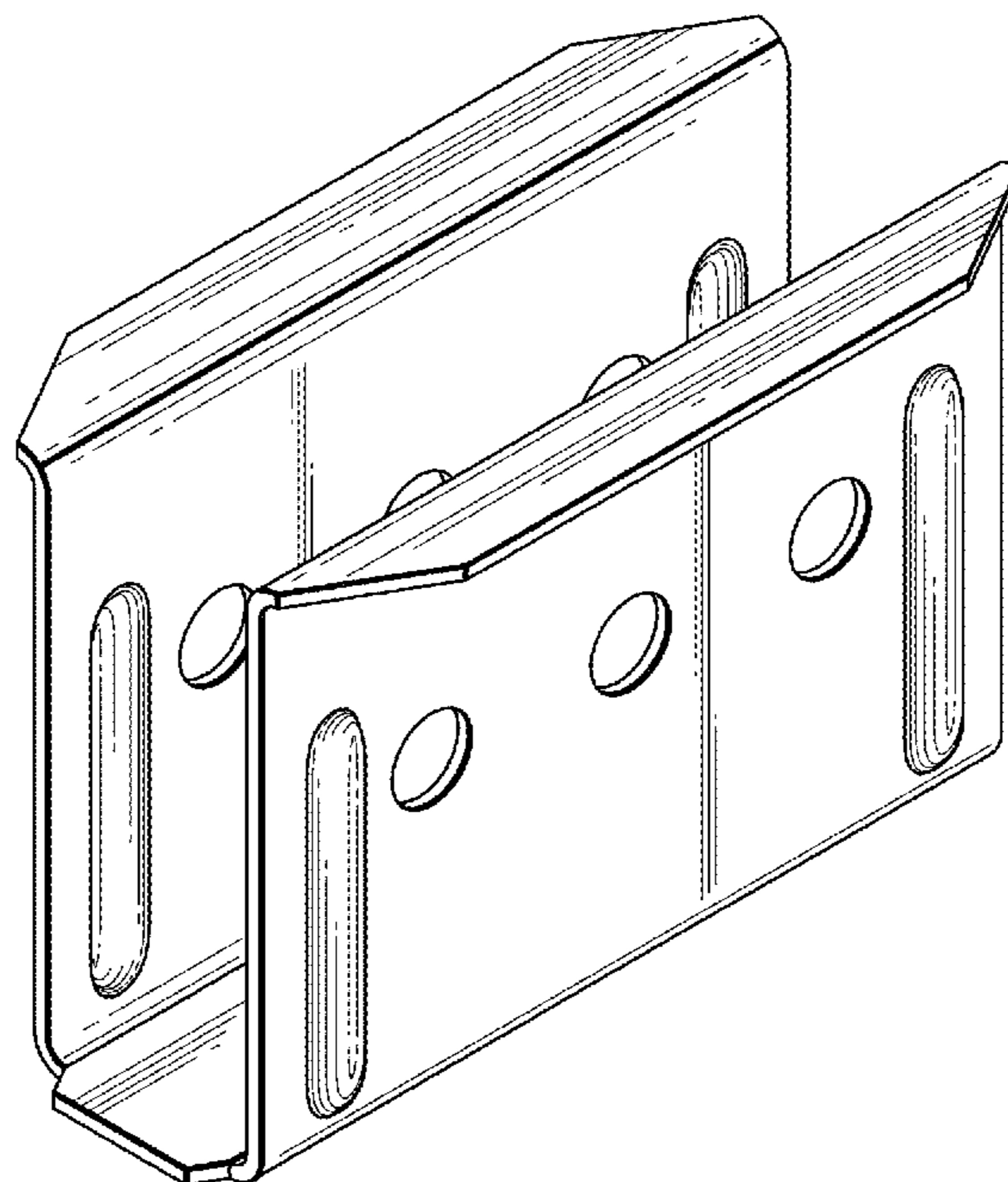
(57) **CLAIM**

The ornamental design for a surface-mountable heat sink, as shown and described.

**DESCRIPTION**

FIG. 1 is a top view of the first embodiment of the design for a surface-mountable heat sink;  
FIG. 2 is a front elevational view thereof, the opposite rear view being the same;  
FIG. 3 is a side elevational view thereof, the opposite side view being the same;  
FIG. 4 is a bottom view thereof; and  
FIG. 5 is a front, top perspective view thereof.  
FIG. 6 is a top view of the second embodiment of the design for a surface-mountable heat sink;  
FIG. 7 is a front elevational view of the second embodiment, the opposite rear view being the same;  
FIG. 8 is a side elevational view of the second embodiment, the opposite side view being the same;  
FIG. 9 is a bottom view of the second embodiment; and  
FIG. 10 is a front, top perspective view of the second embodiment.

**1 Claim, 10 Drawing Sheets**



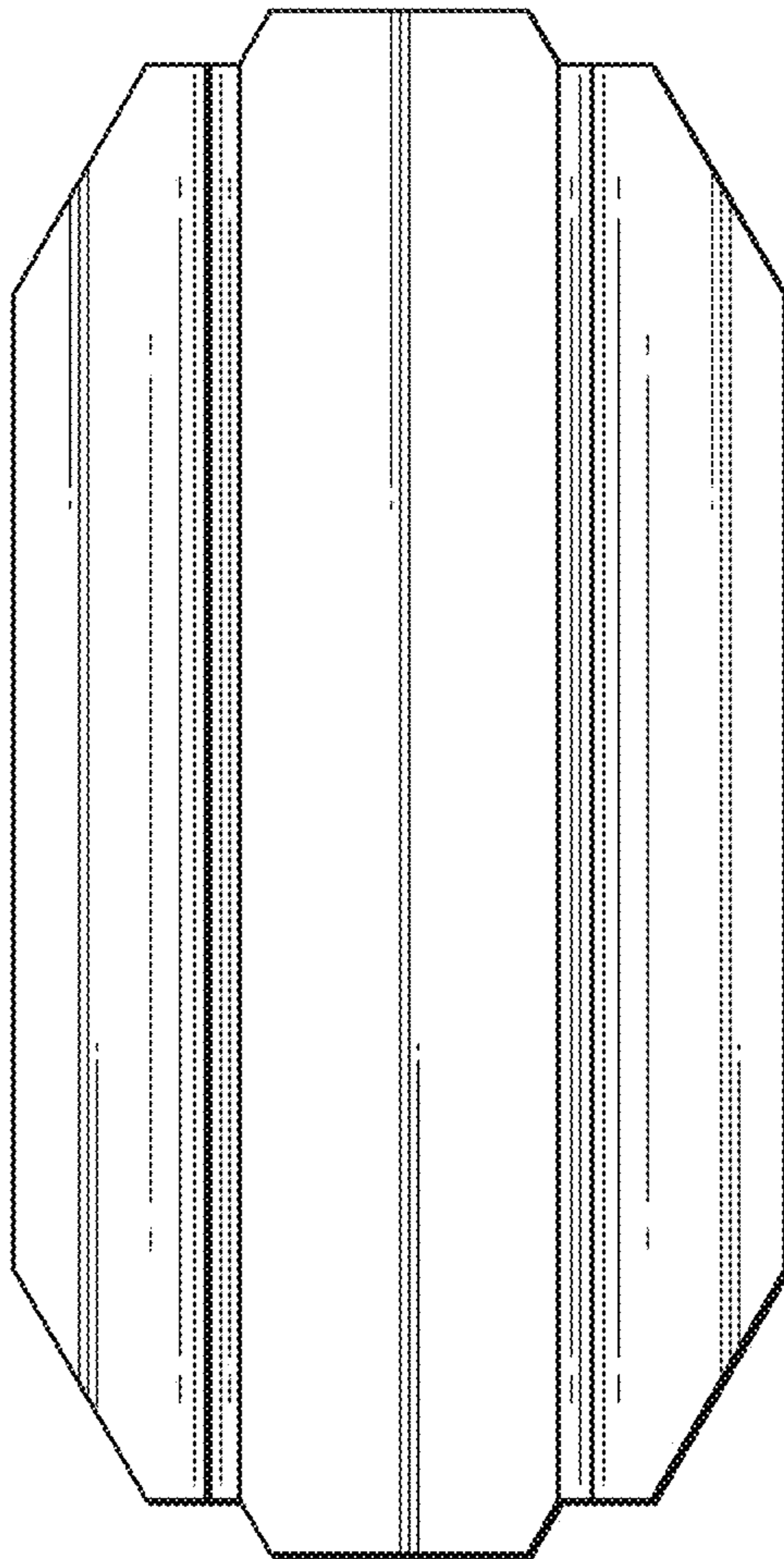


FIG. 1

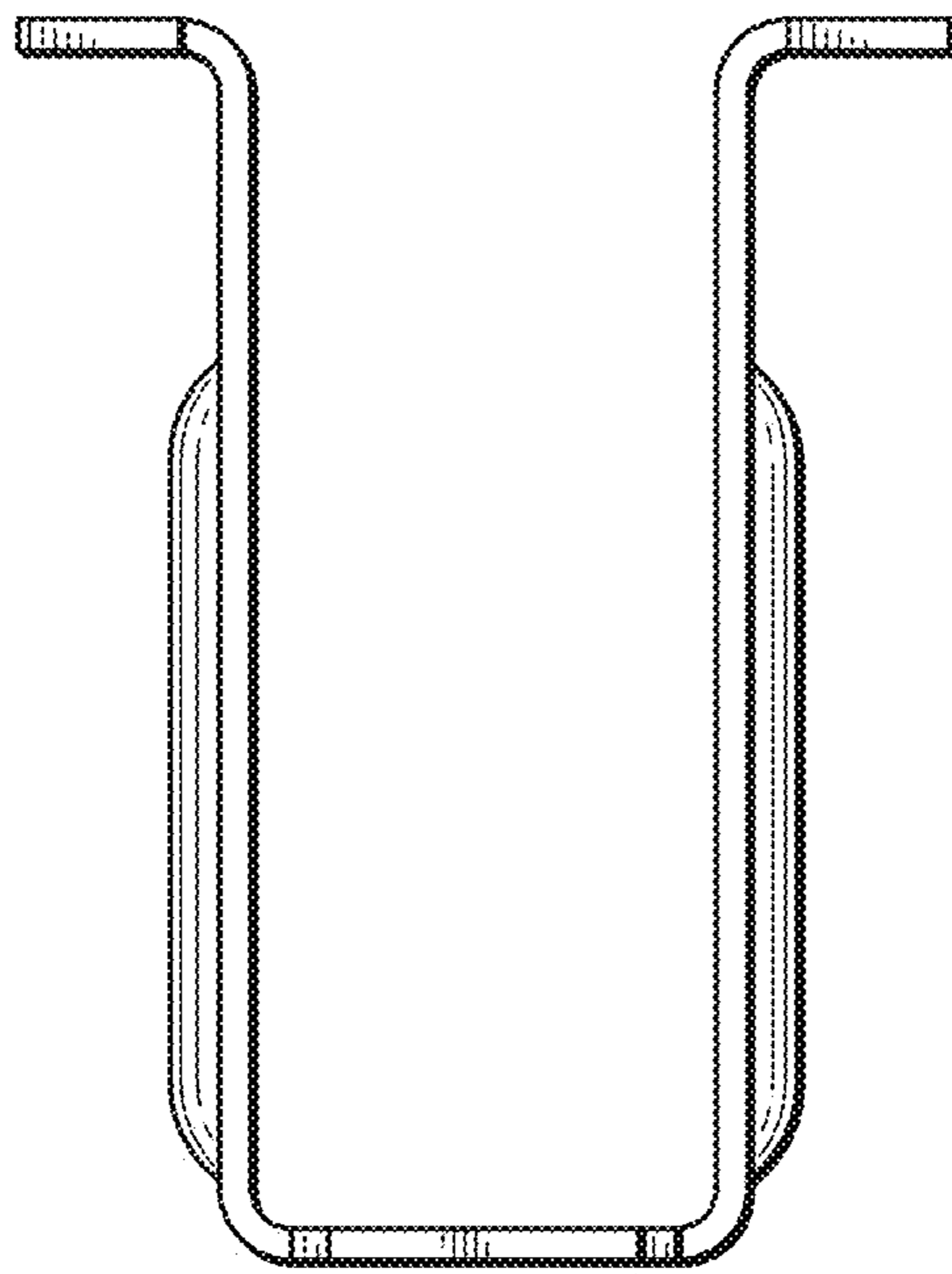


FIG. 2

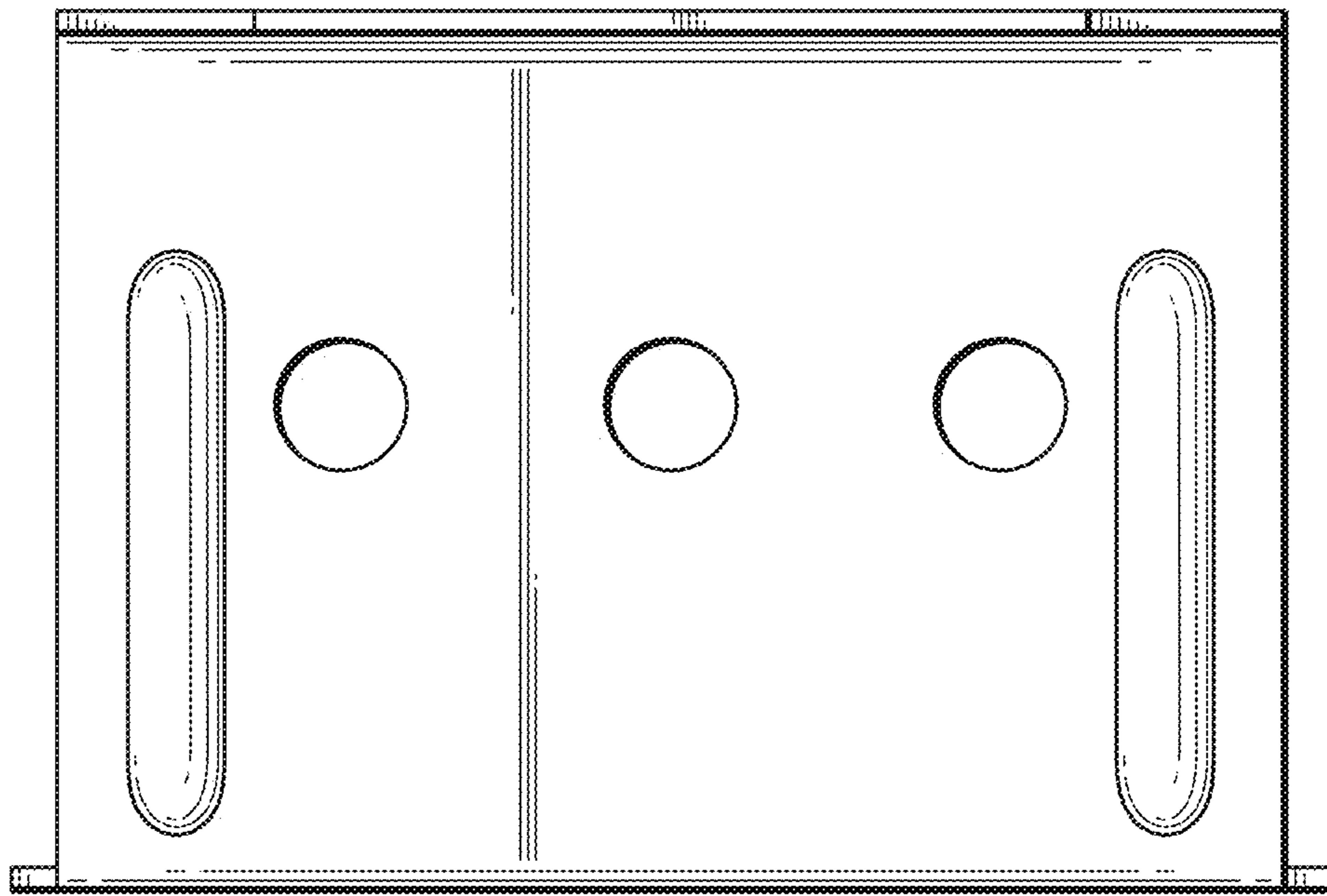


FIG. 3

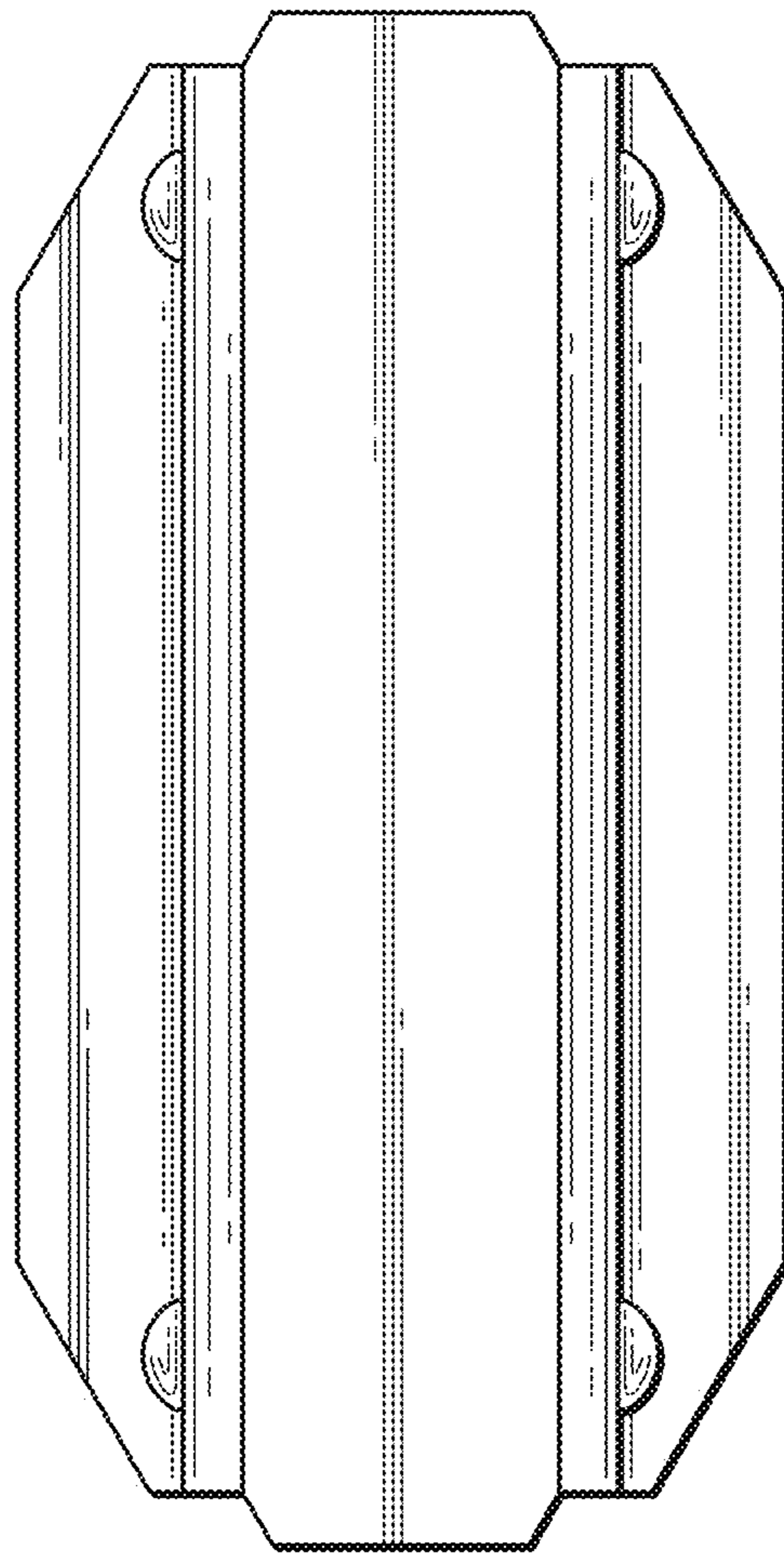


FIG. 4

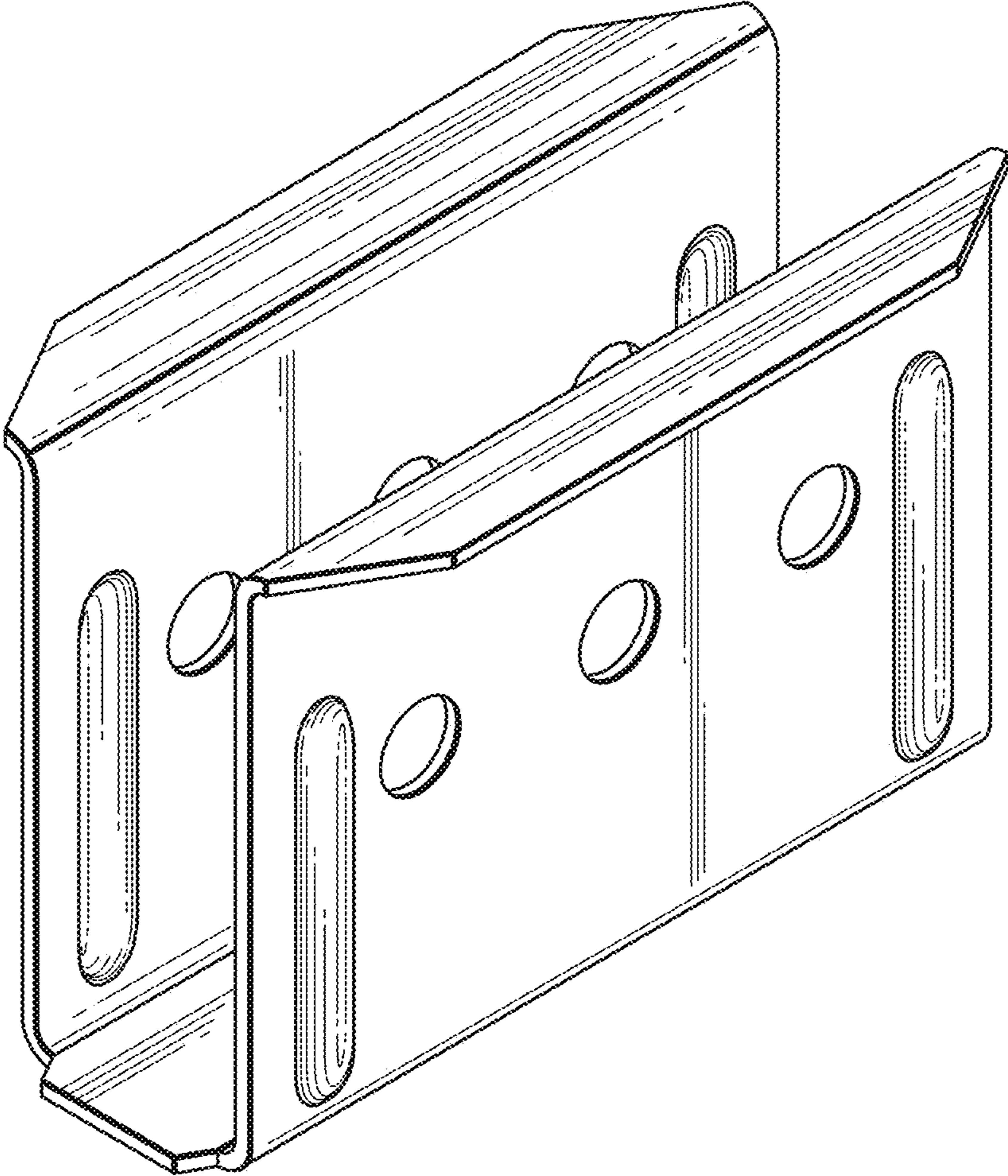


FIG. 5

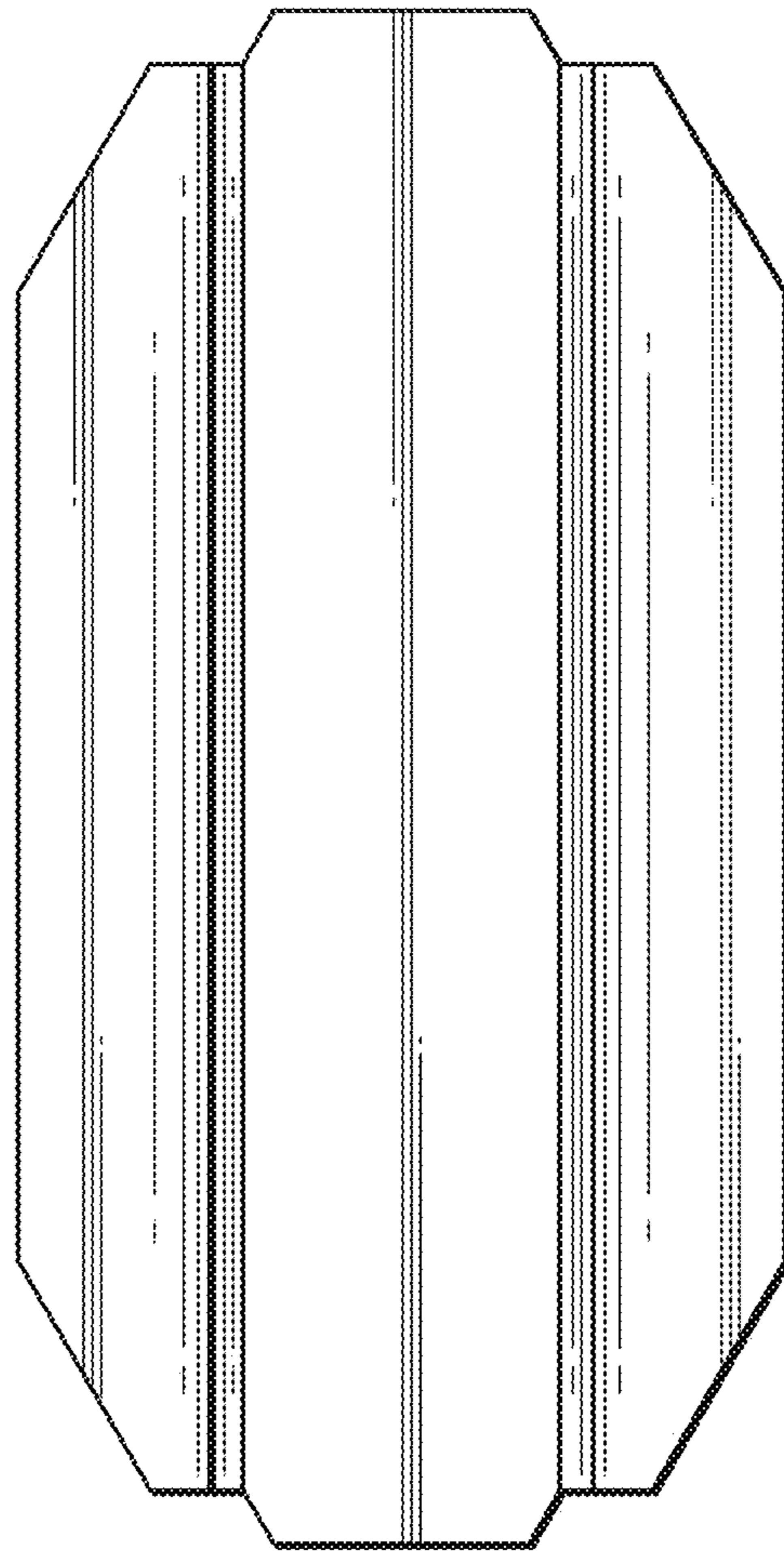


FIG. 6

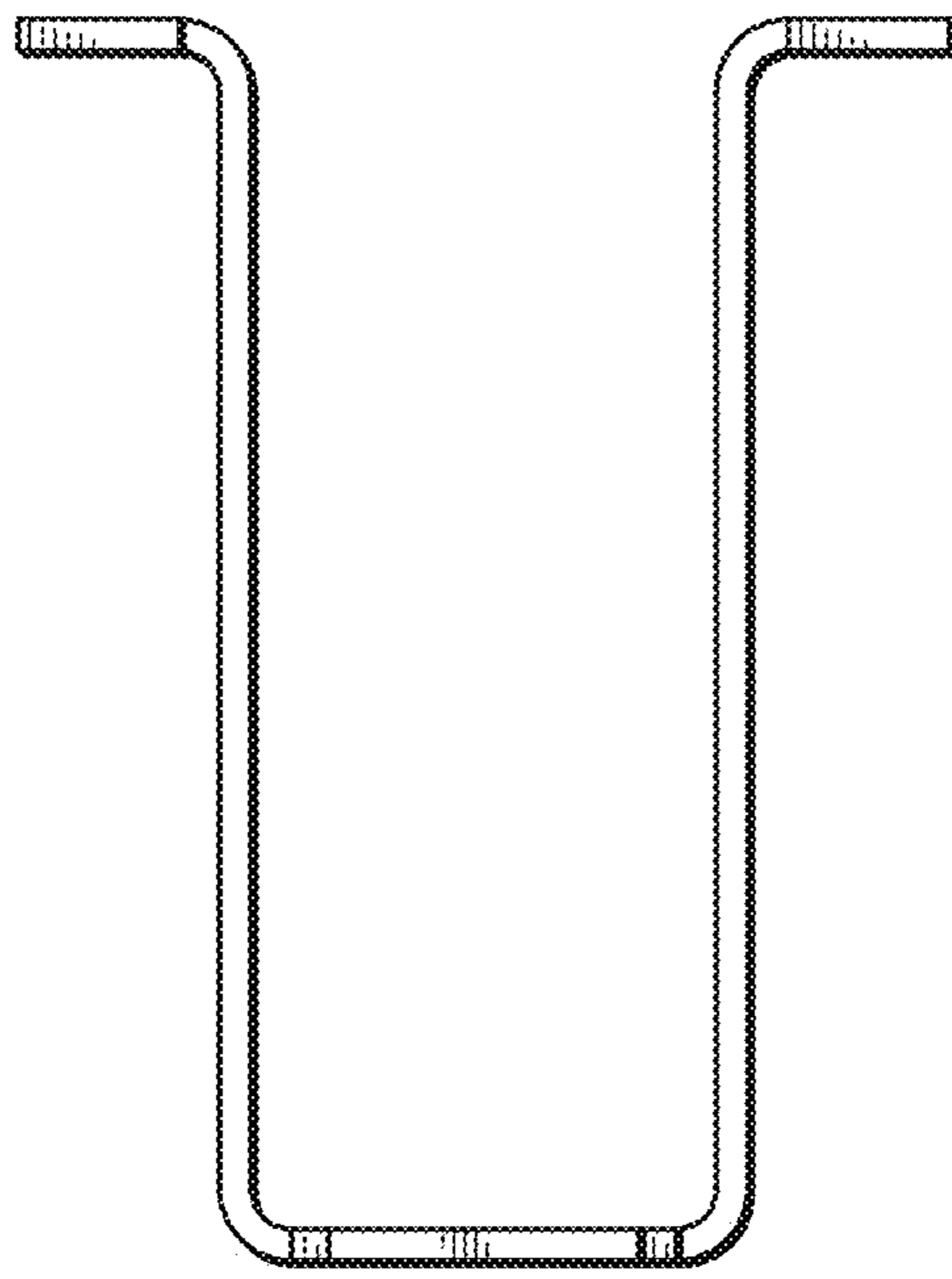


FIG. 7



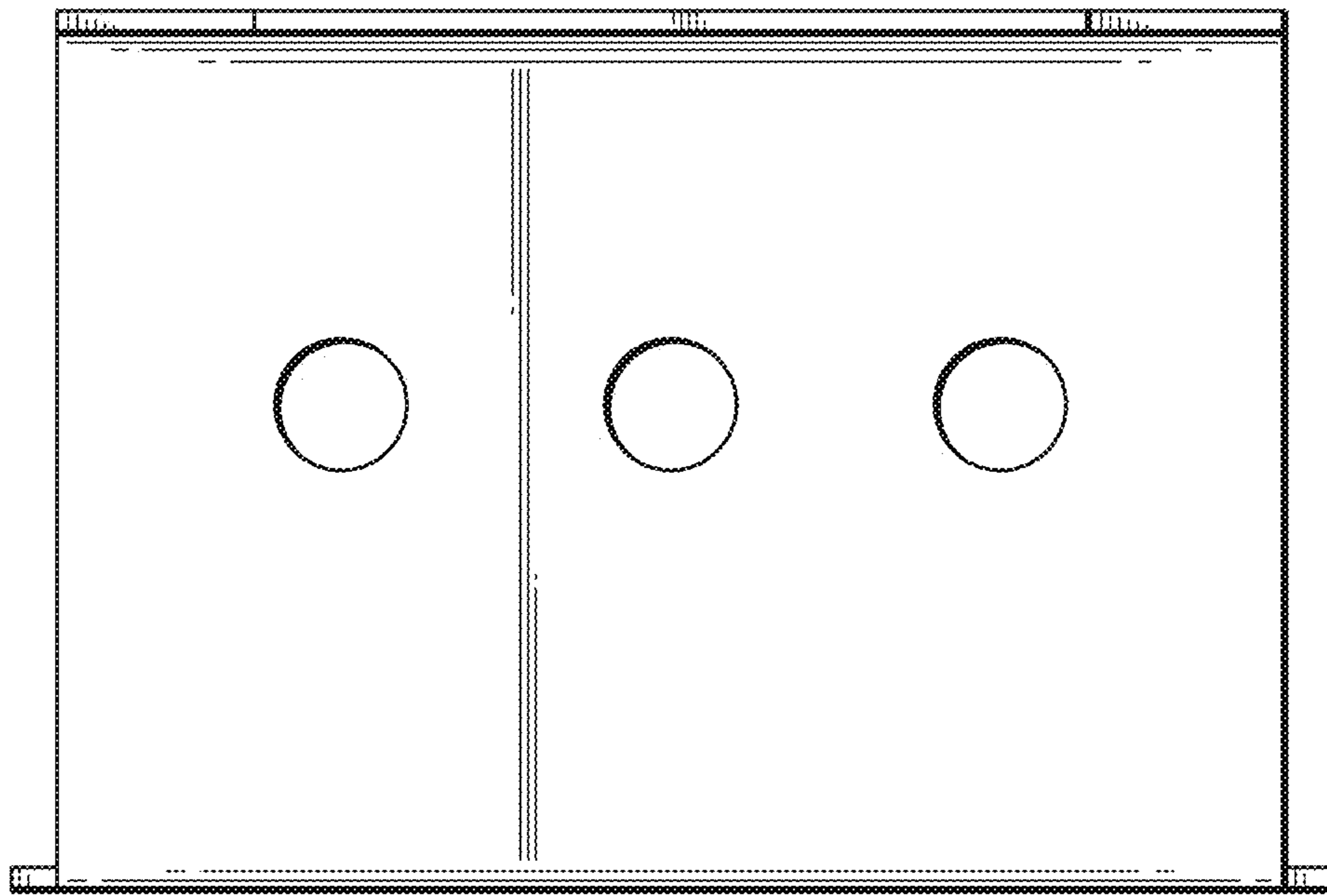


FIG. 8

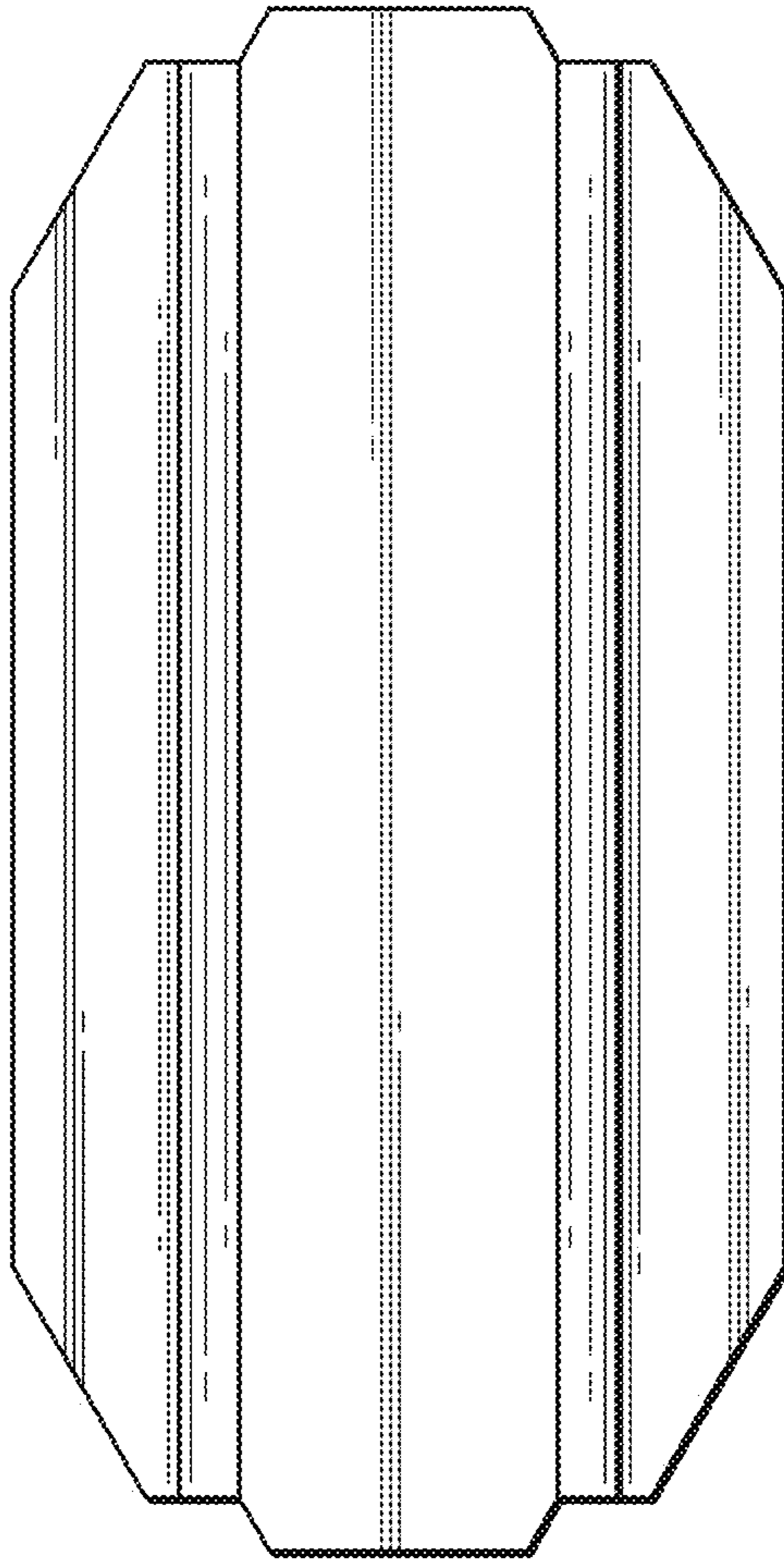


FIG. 9

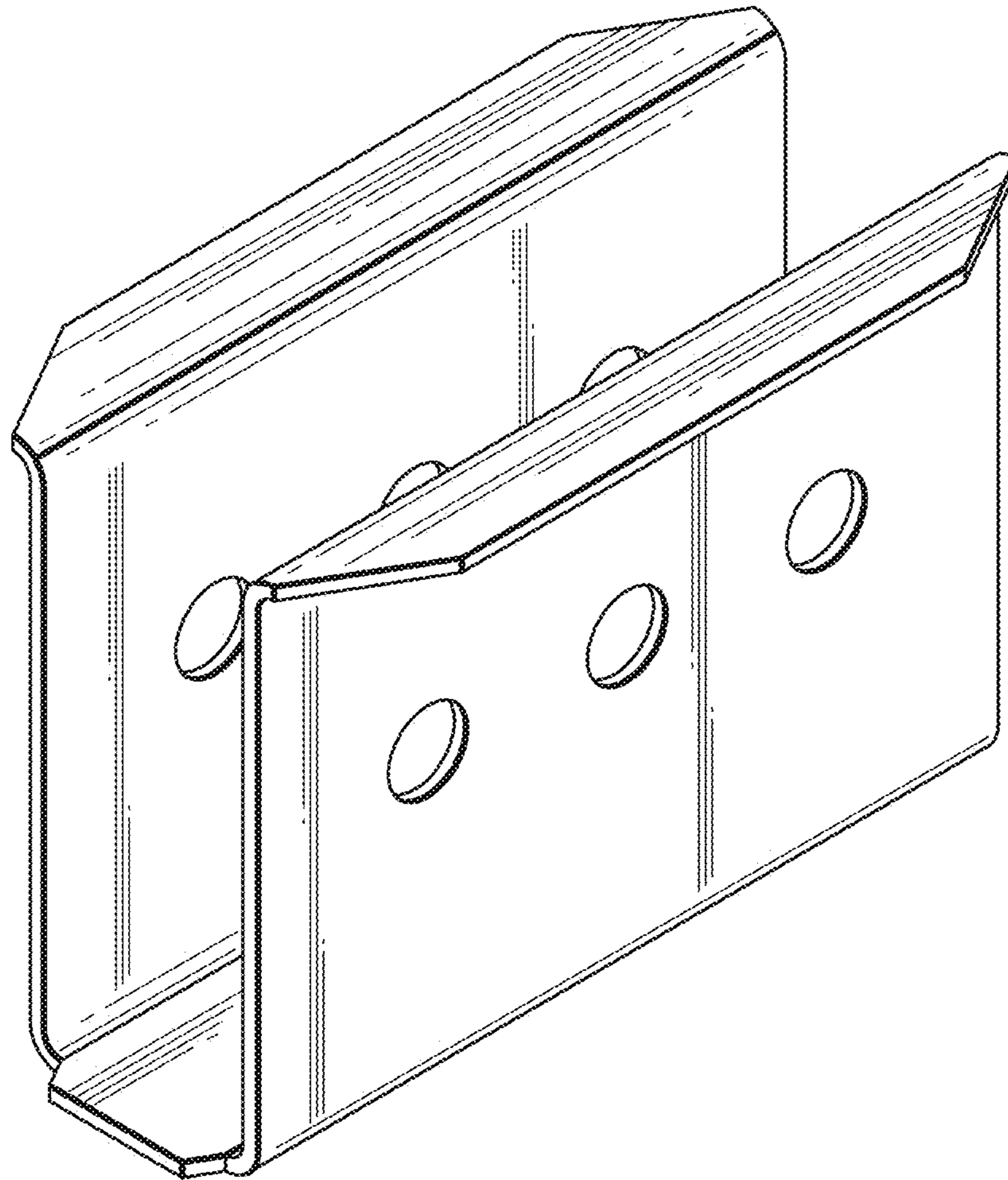


FIG. 10