



US00D901397S

(12) **United States Design Patent** (10) **Patent No.:** **US D901,397 S**
Hernandez et al. (45) **Date of Patent:** **** Nov. 10, 2020**

(54) **WIRE CONNECTOR**
(71) Applicants: **Alfonso Julian Hernandez**, North Reading, MA (US); **Christopher Anthony Bonner**, Watertown, MA (US)
(72) Inventors: **Alfonso Julian Hernandez**, North Reading, MA (US); **Christopher Anthony Bonner**, Watertown, MA (US)
(73) Assignee: **Osram Sylvania Inc.**, Wilmington, MA (US)
(**) Term: **15 Years**

D641,703 S * 7/2011 Severing D13/146
D676,391 S * 2/2013 Gassauer
D717,734 S 11/2014 Habirov
D739,822 S * 9/2015 Severing D13/146
D747,270 S 1/2016 Severing
D756,301 S * 5/2016 Wu D13/133
D756,304 S * 5/2016 Wu D13/146
9,899,752 B2 2/2018 Wu et al.
D826,168 S * 8/2018 Mastel D13/147
D862,394 S * 10/2019 Hernandez D13/147
D881,132 S * 4/2020 Bagley D13/146
2006/0105637 A1 5/2006 Chiang
2015/0044897 A1 * 2/2015 Wu H01R 4/4836
439/352
2016/0204526 A1 * 7/2016 Wu H01R 13/62955
439/816

(21) Appl. No.: **29/706,406**
(22) Filed: **Sep. 19, 2019**

* cited by examiner

Primary Examiner — Rhea Shields

Related U.S. Application Data

(62) Division of application No. 29/637,221, filed on Feb. 14, 2018, now Pat. No. Des. 862,394.
(51) **LOC (12) Cl.** **13-03**
(52) **U.S. Cl.**
USPC **D13/147; D13/133**
(58) **Field of Classification Search**
USPC D13/133, 146, 147
CPC H01R 13/62955; H01R 4/4836
See application file for complete search history.

(57) **CLAIM**

The ornamental design for a wire connector, as shown and described.

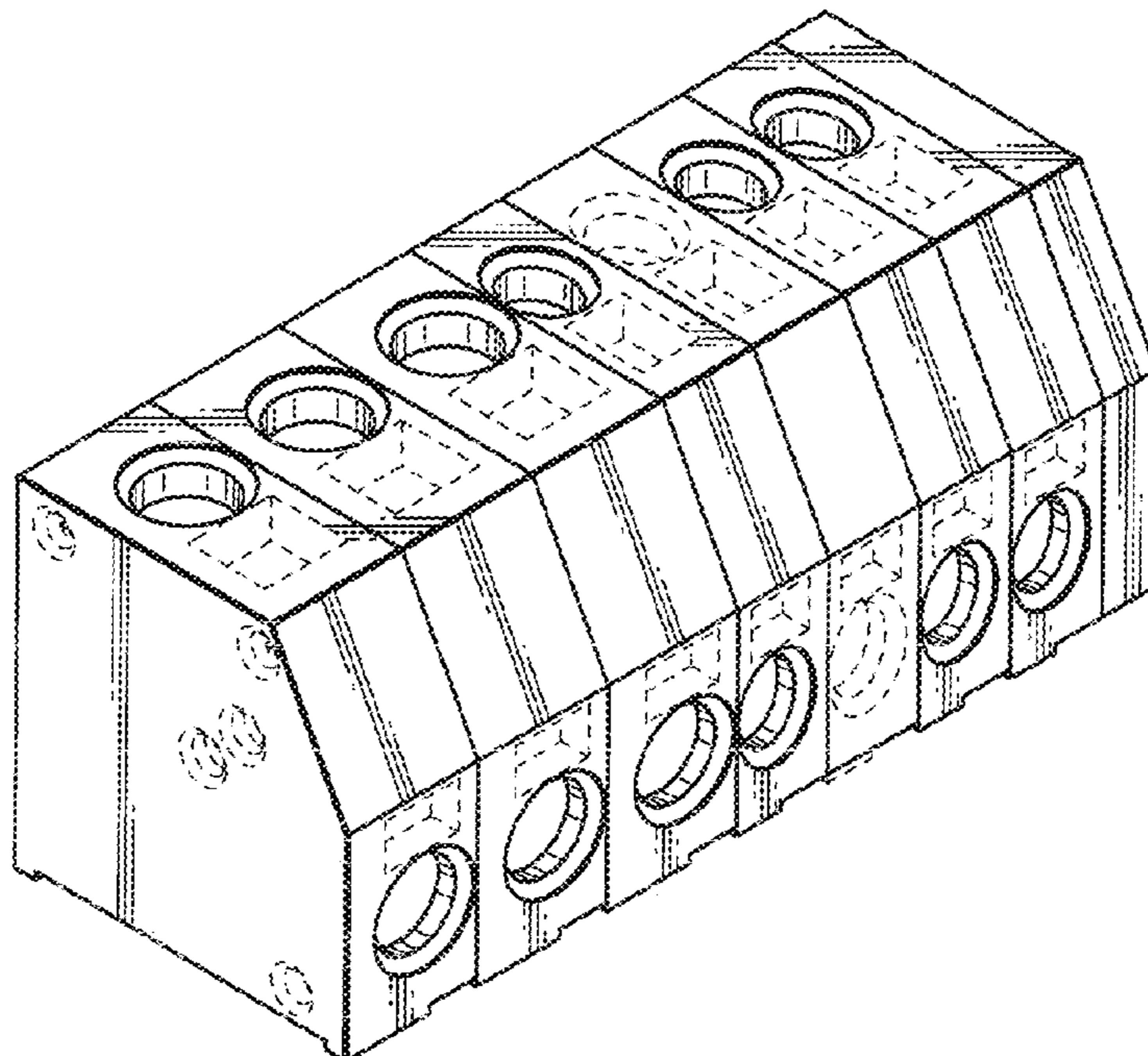
DESCRIPTION

FIG. 1 is a front, top and left side perspective view of a wire connector showing our new design;
FIG. 2 is a front elevation view thereof;
FIG. 3 is a back elevation view thereof;
FIG. 4 is a left side elevation view thereof;
FIG. 5 is a right side view thereof.
FIG. 6 is a top plan view thereof;
FIG. 7 is a bottom plan view thereof; and,
FIG. 8 is front, top and right perspective view thereof.
The broken-line disclosure in the views is understood to represent portions of the article in which the claimed design is embodied, but which form no part of the claimed design.

(56) **References Cited**
U.S. PATENT DOCUMENTS

D593,951 S 6/2009 Yoon
D624,503 S * 9/2010 Severing D13/147
D625,270 S * 10/2010 Schafmeister D13/147
D626,509 S * 11/2010 Severing D13/147

1 Claim, 5 Drawing Sheets



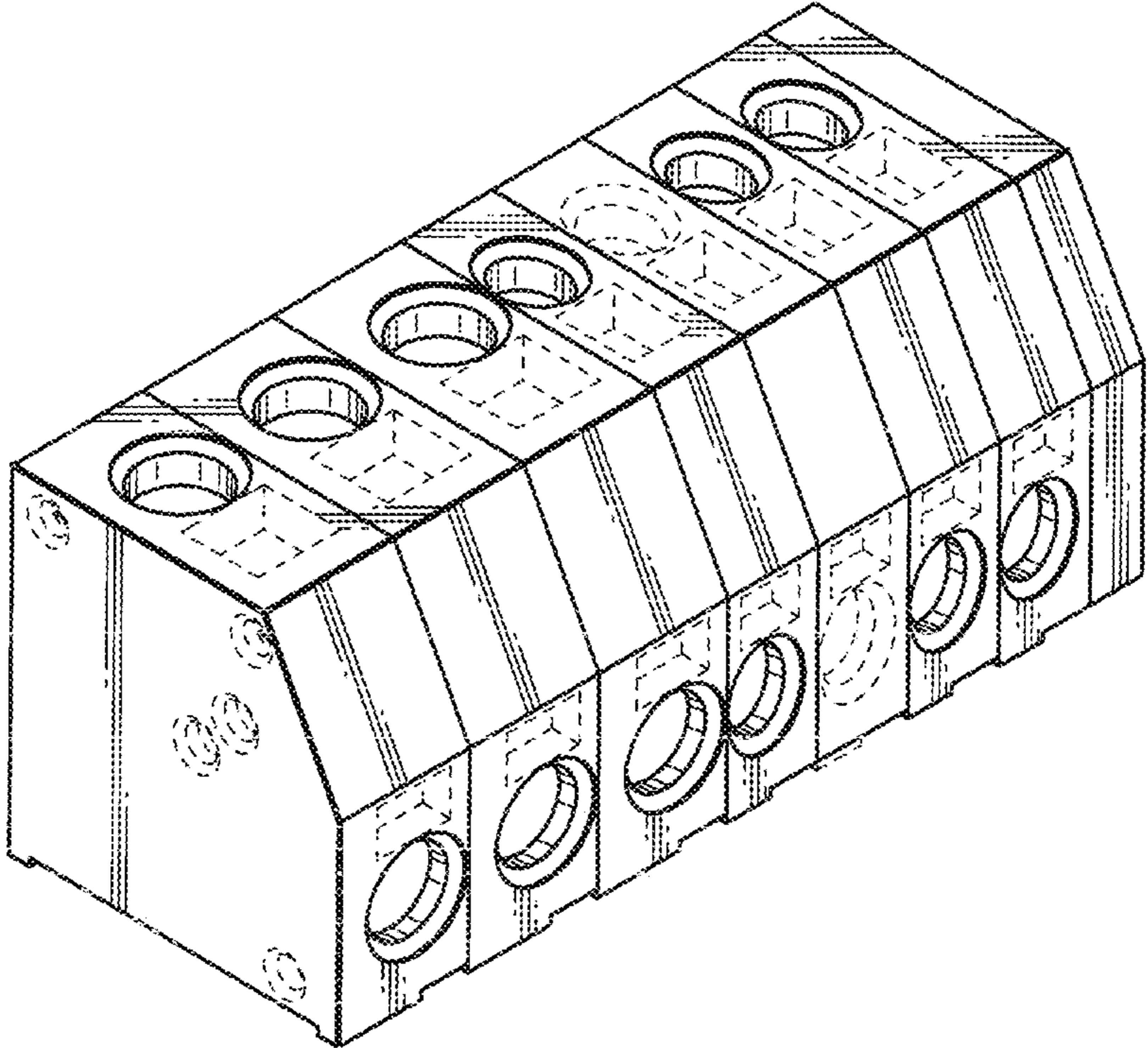


FIG. 1

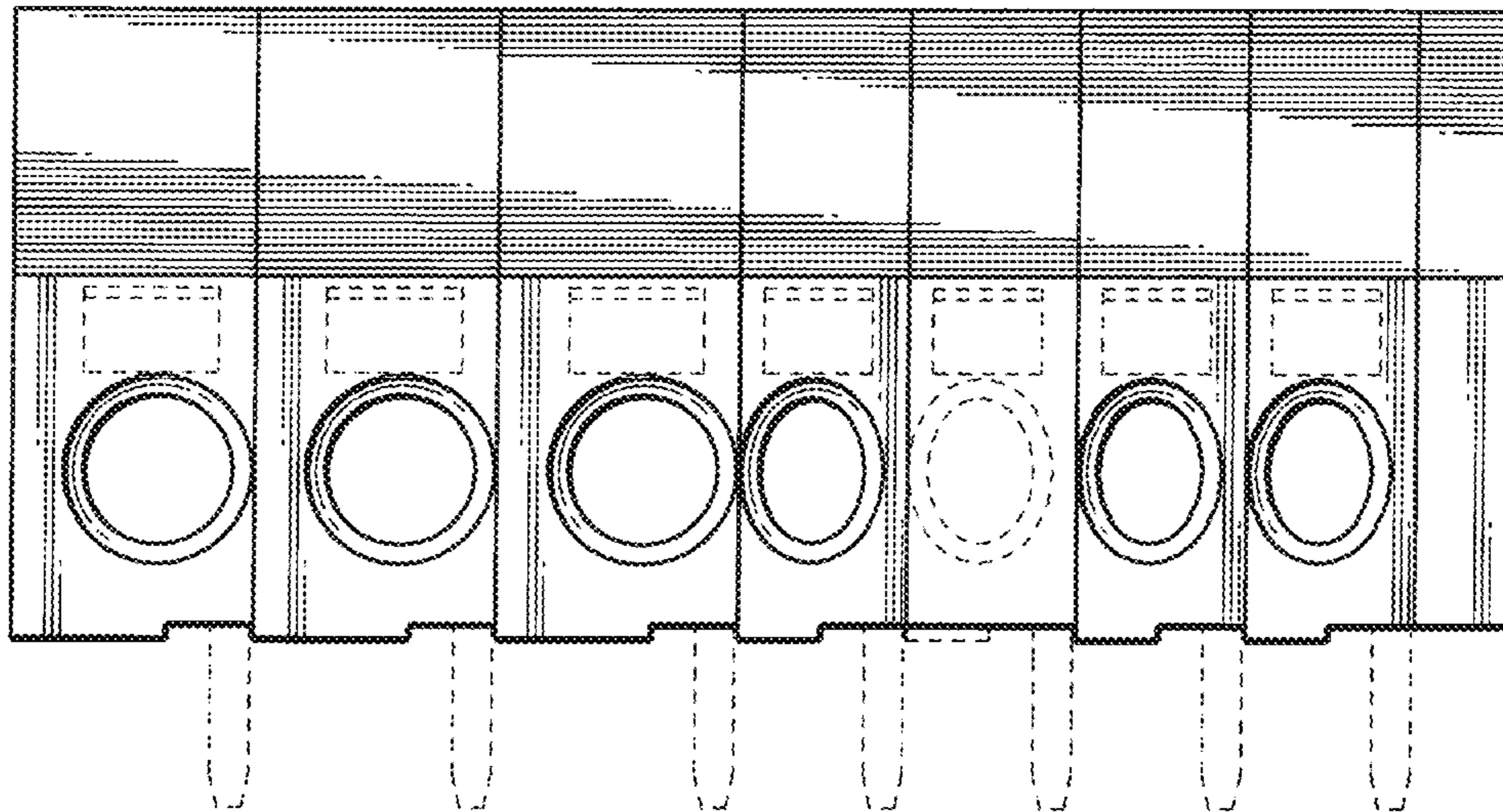


FIG. 2

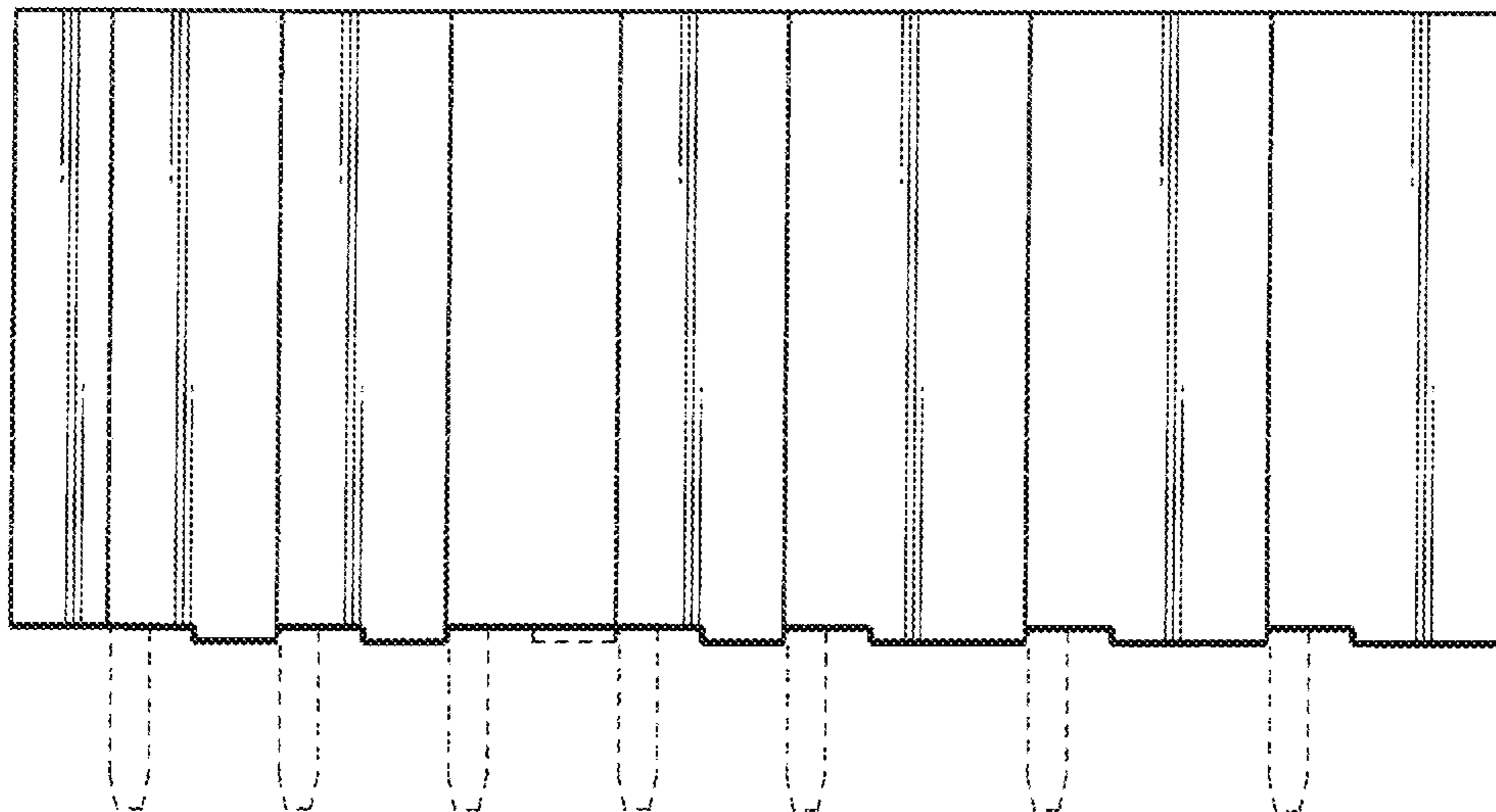


FIG. 3

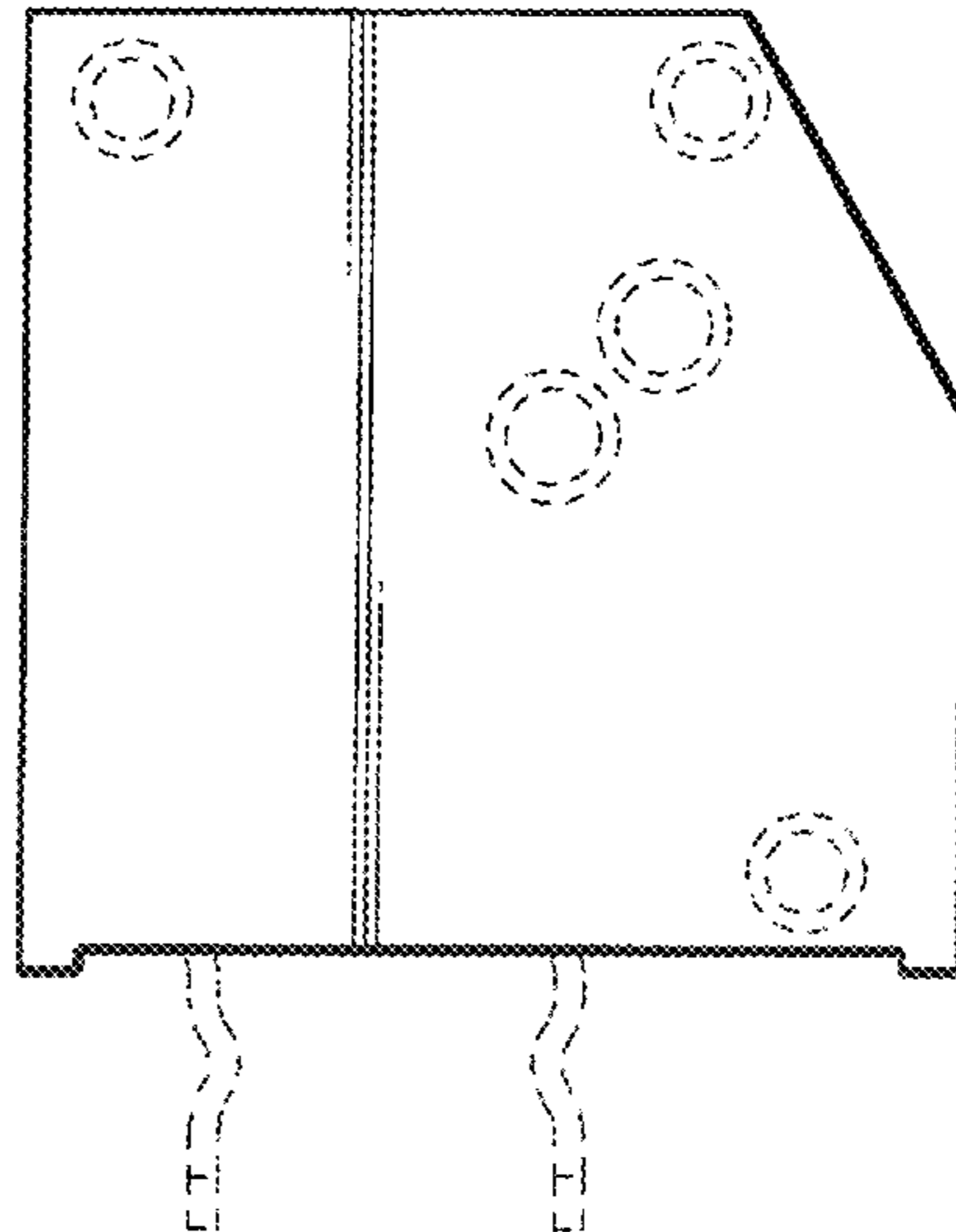


FIG. 4

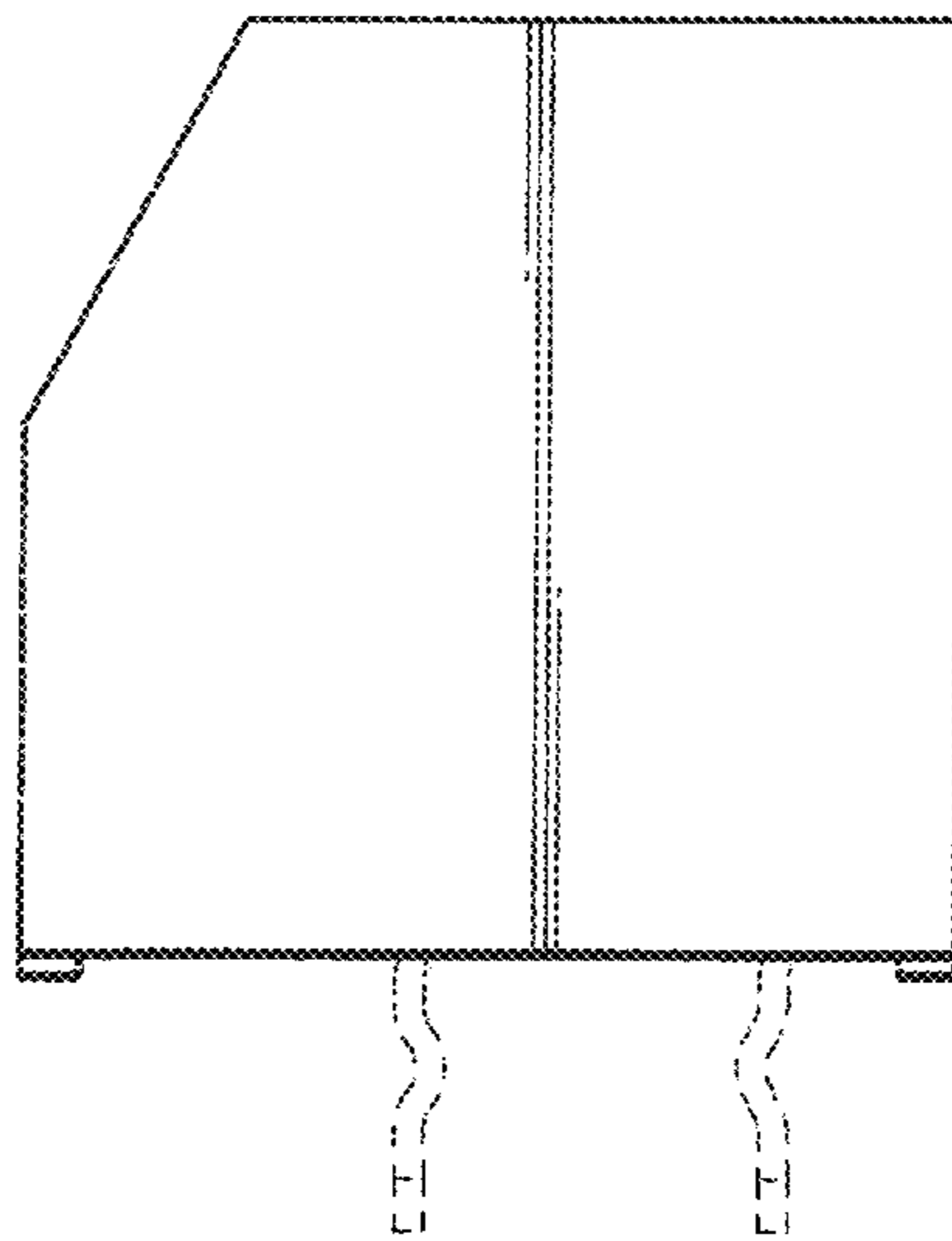


FIG. 5

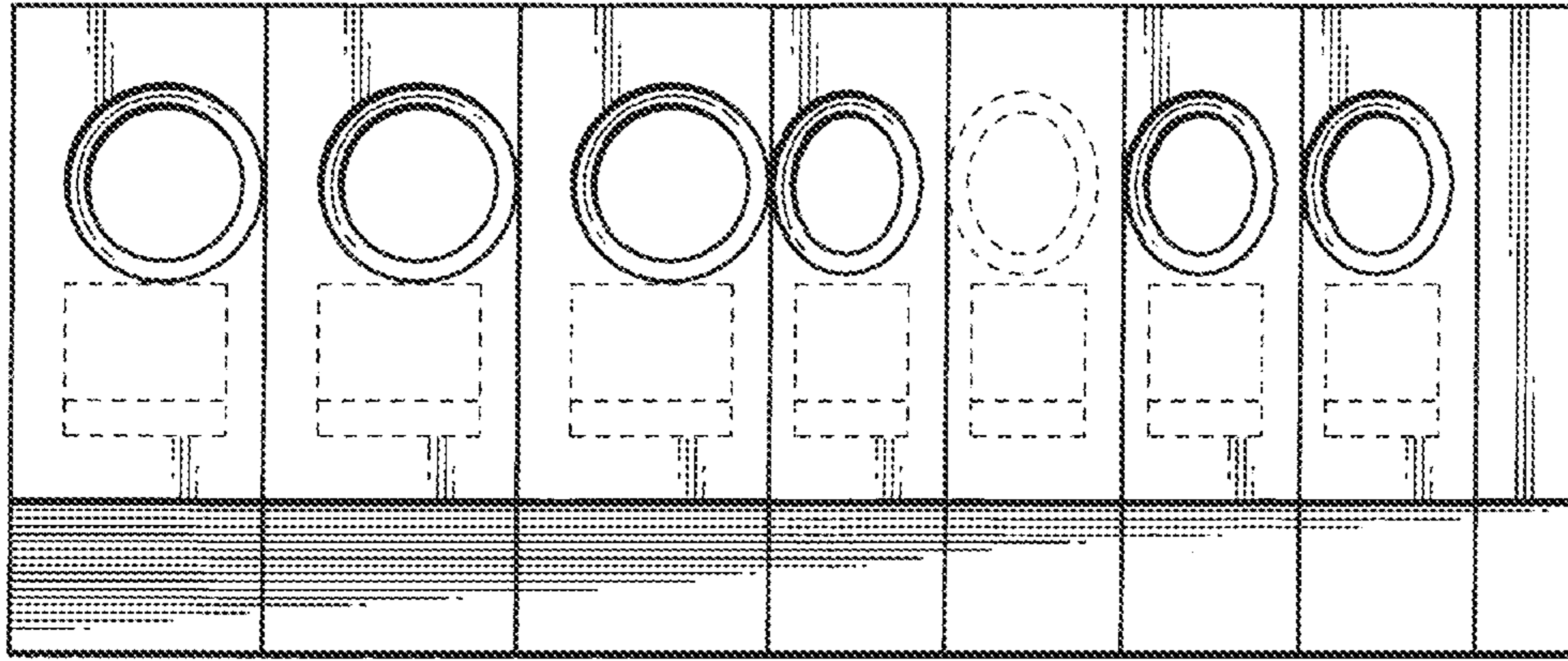


FIG. 6

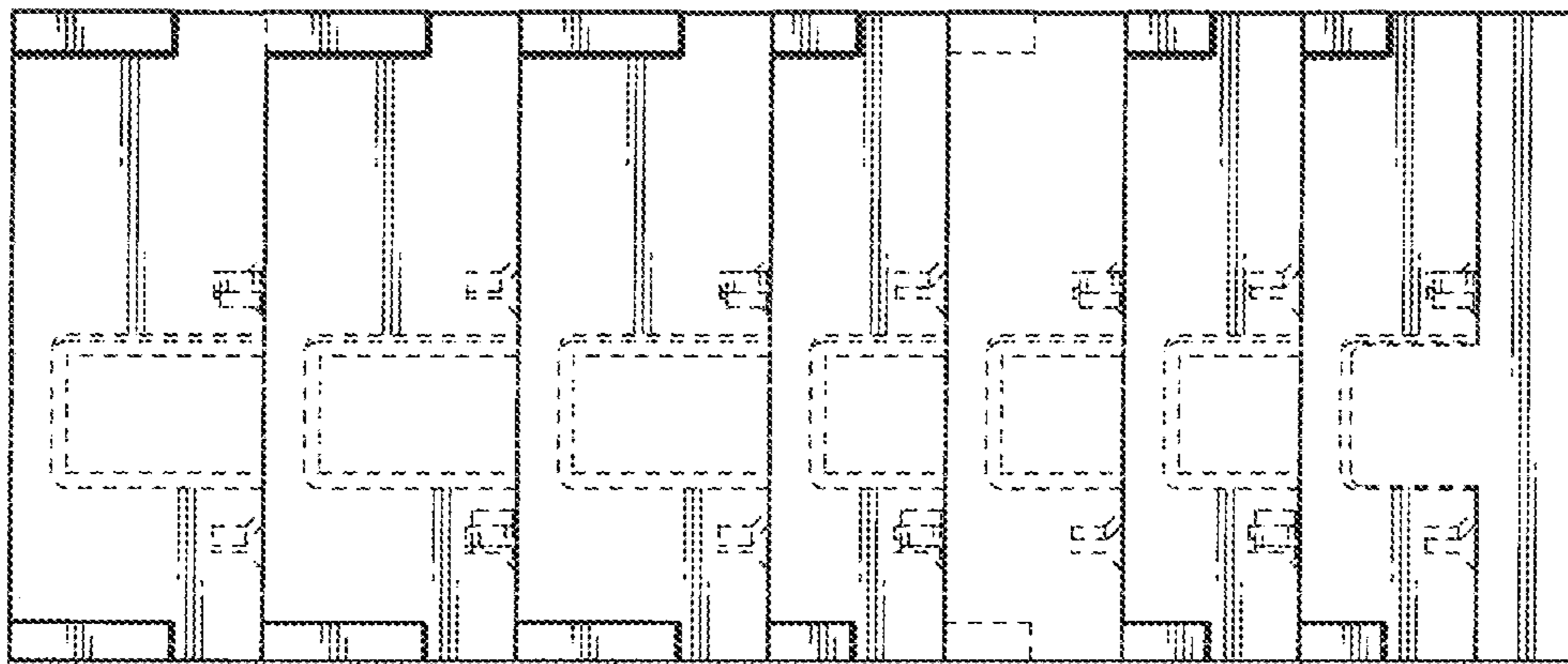


FIG. 7

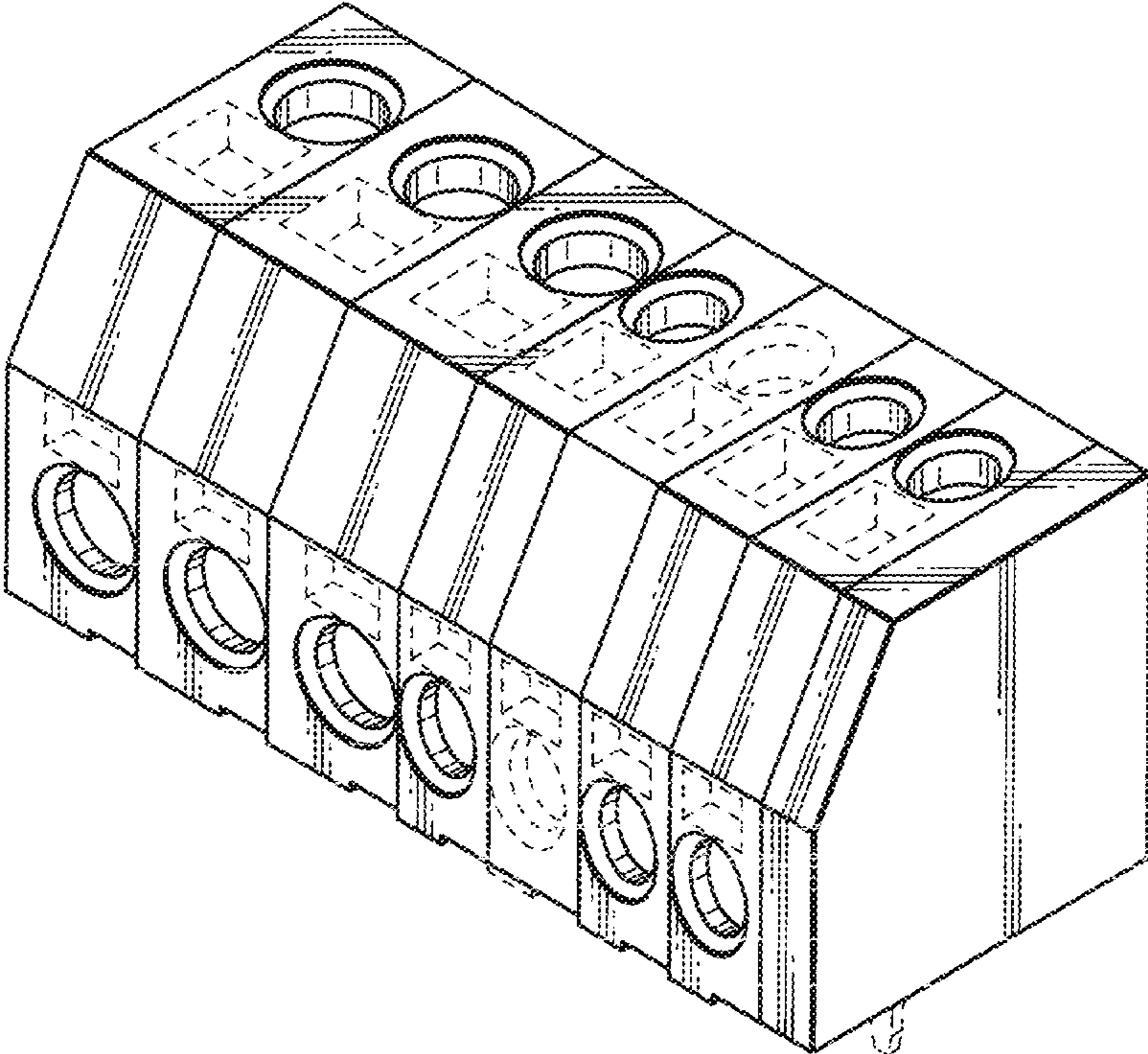


FIG. 8