



US00D901396S

(12) **United States Design Patent**  
**Kurita et al.**

(10) **Patent No.:** **US D901,396 S**

(45) **Date of Patent:** **\*\* Nov. 10, 2020**

(54) **ELECTRICAL CONNECTOR SHELL**

D827,594 S \* 9/2018 Shim ..... D13/184  
D828,305 S \* 9/2018 Tsai ..... D13/147  
D831,576 S \* 10/2018 Davidson ..... D13/147

(71) Applicant: **SUMITOMO WIRING SYSTEMS, LTD.**, Yokkaichi (JP)

FOREIGN PATENT DOCUMENTS

(72) Inventors: **Atsushi Kurita**, Yokkaichi (JP);  
**Masato Kamemura**, Yokkaichi (JP)

JP D1281468 S 9/2006  
JP D1616965 S 10/2018

(73) Assignee: **SUMITOMO WIRING SYSTEMS, LTD.**, Yokkaichi (JP)

OTHER PUBLICATIONS

(\*\*) Term: **15 Years**

Electric Housing, date available: Jan. 2002, [online], [site visited Jul. 6, 2020], Available from Internet URL: <http://pdf.datasheet.live/cc262f66/sei.co.jp/SCM6011-JL-ZW.pdf> (Year: 2002).\*

(21) Appl. No.: **29/698,261**

\* cited by examiner

(22) Filed: **Jul. 16, 2019**

*Primary Examiner* — Karen E Kearney

(30) **Foreign Application Priority Data**

*Assistant Examiner* — Michael Chong

Mar. 26, 2019 (JP) ..... 2019-006292

(74) *Attorney, Agent, or Firm* — Grogan, Tuccillo &

(51) **LOC (12) Cl.** ..... **13-03**

Vanderleeden, LLP

(52) **U.S. Cl.**

(57) **CLAIM**

USPC ..... **D13/147**

The ornamental design for an electrical connector shell, as shown and described.

(58) **Field of Classification Search**

**DESCRIPTION**

USPC ..... D13/133, 146, 147, 153, 154, 155, 172,  
D13/184

CPC .... H01R 13/02; H01R 13/436; H01R 13/502;  
H01R 13/504; H01R 13/506; H01R  
13/62; H01R 13/64; H01R 13/641; H01R  
4/24; H01R 4/48; H01R 12/79

See application file for complete search history.

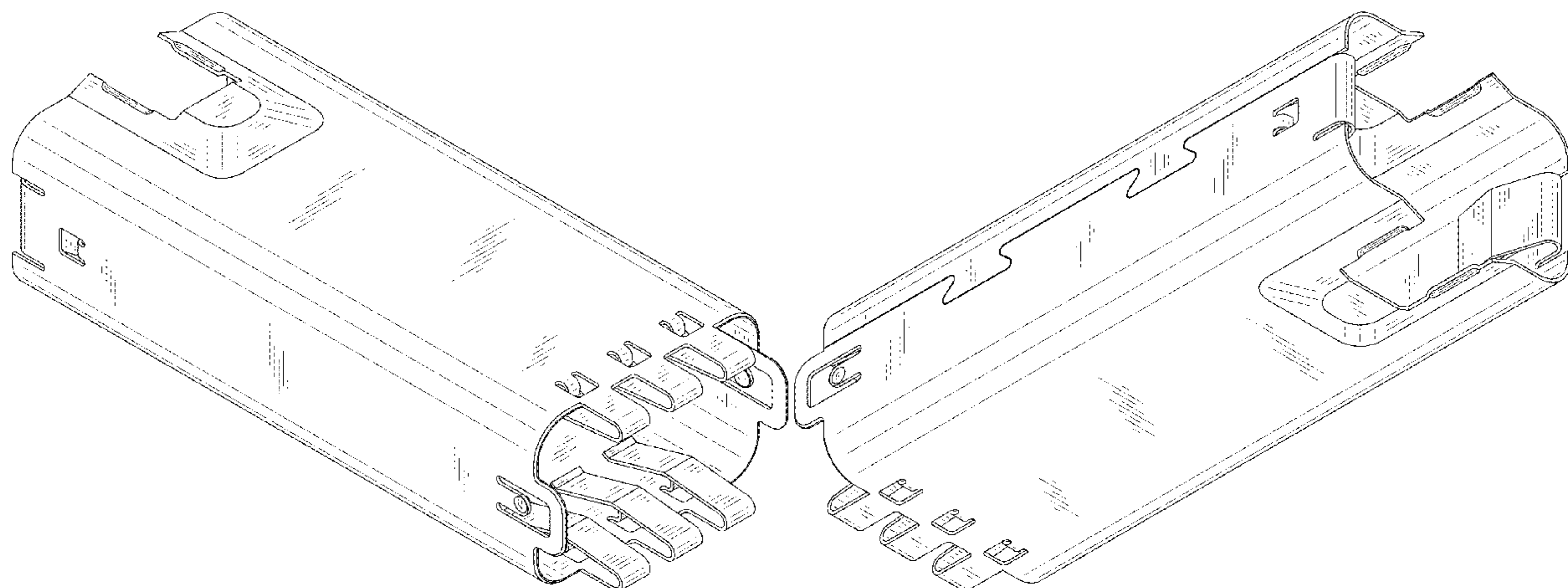
FIG. 1 is a front, top and right side perspective view of an electrical connector shell showing our new design;  
FIG. 2 is a rear, bottom and left side perspective view thereof;  
FIG. 3 is a front view thereof;  
FIG. 4 is a rear view thereof;  
FIG. 5 is a top plan view thereof;  
FIG. 6 is a bottom plan view thereof;  
FIG. 7 is a right side view thereof;  
FIG. 8 is a left side view thereof; and,  
FIG. 9 is a cross-sectional view taken along line 9-9 in FIG. 7.

(56) **References Cited**

U.S. PATENT DOCUMENTS

D319,998 S \* 9/1991 Kozono ..... D13/133  
5,632,639 A \* 5/1997 Hayashi ..... H01R 13/5227  
439/271  
D472,524 S \* 4/2003 Yamawaki ..... D13/147  
D509,800 S \* 9/2005 Hu ..... D13/147  
D560,614 S \* 1/2008 McEvoy ..... D13/147

**1 Claim, 8 Drawing Sheets**



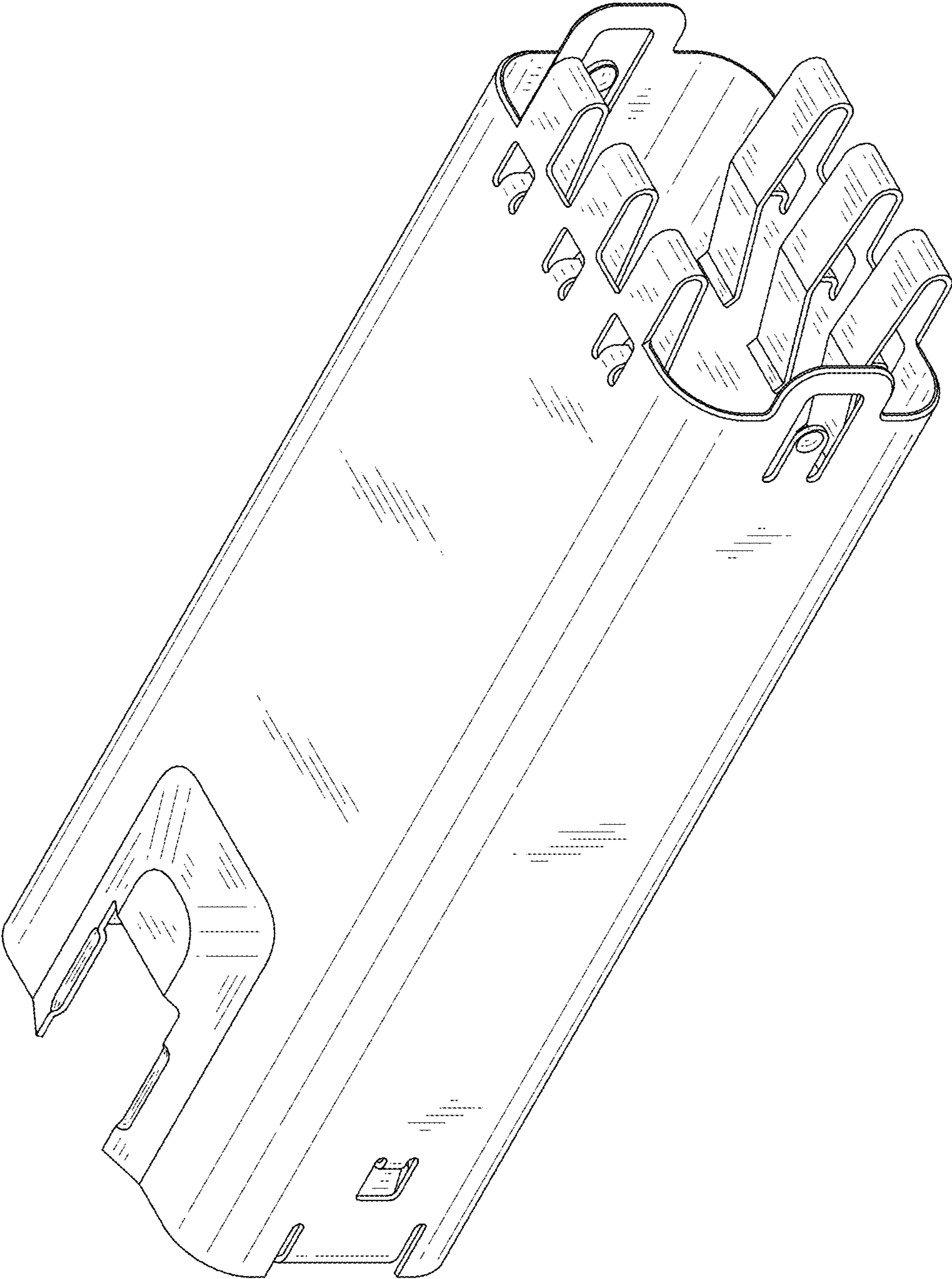


FIG.1

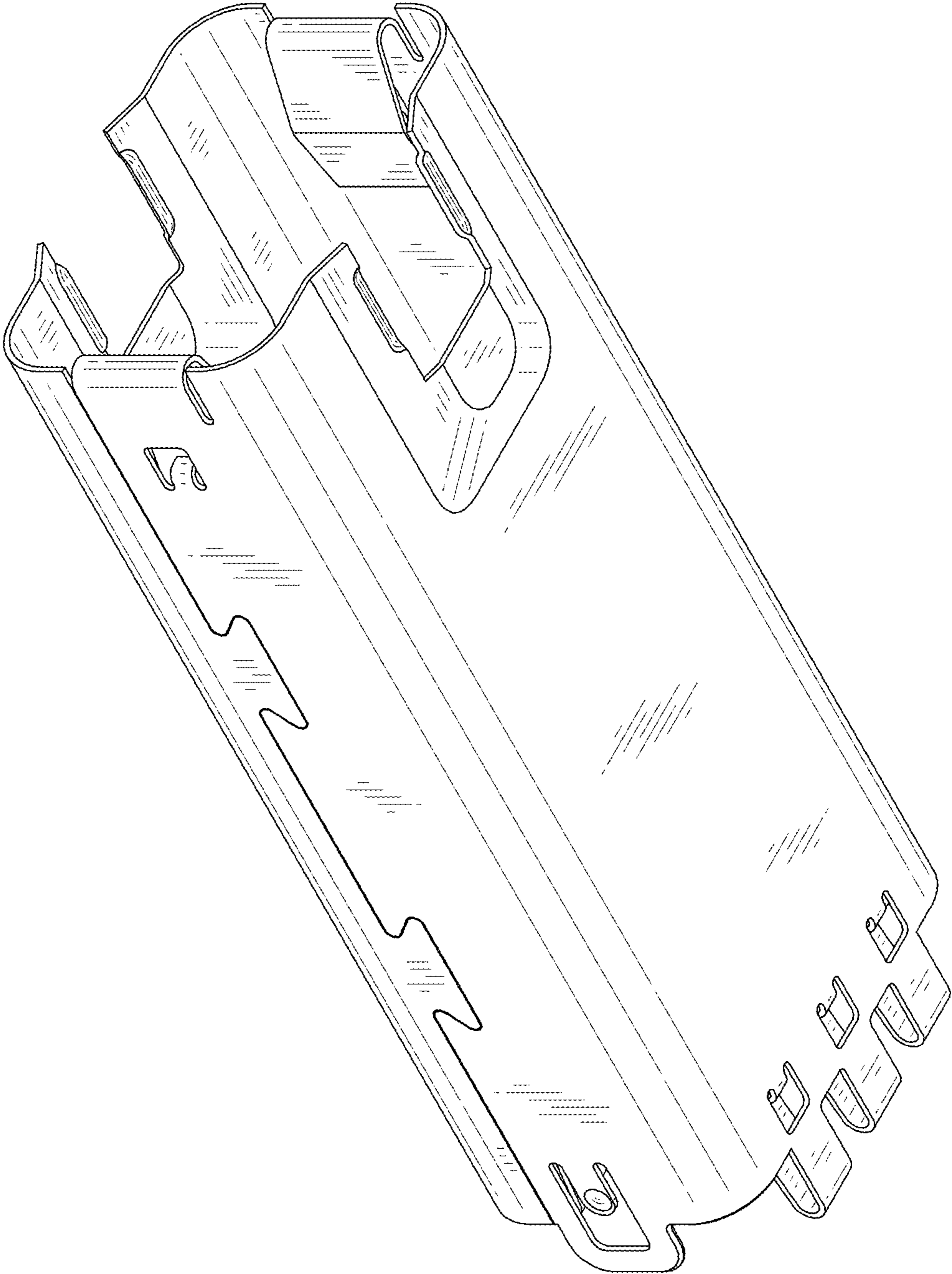


FIG.2

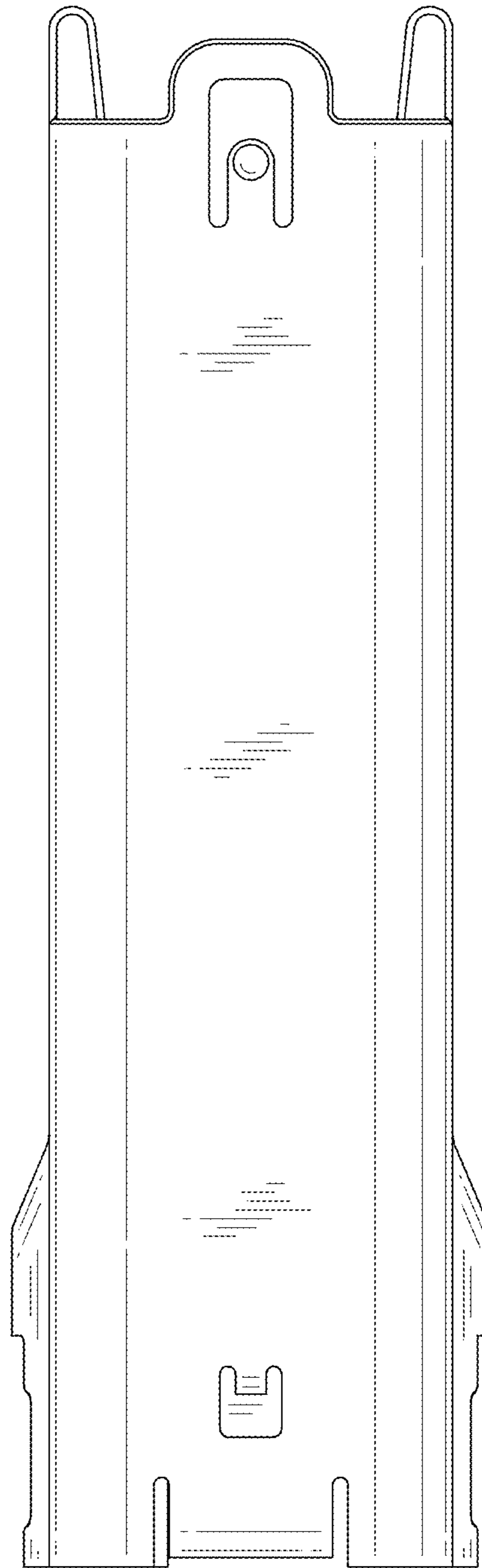
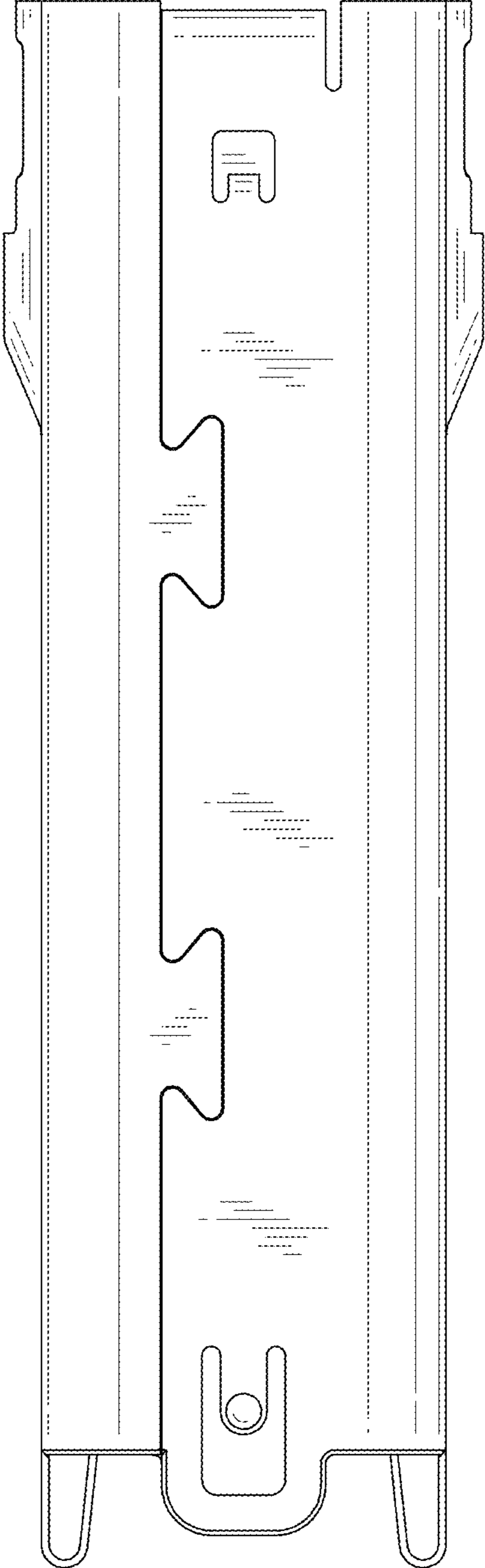


FIG.3

FIG.4



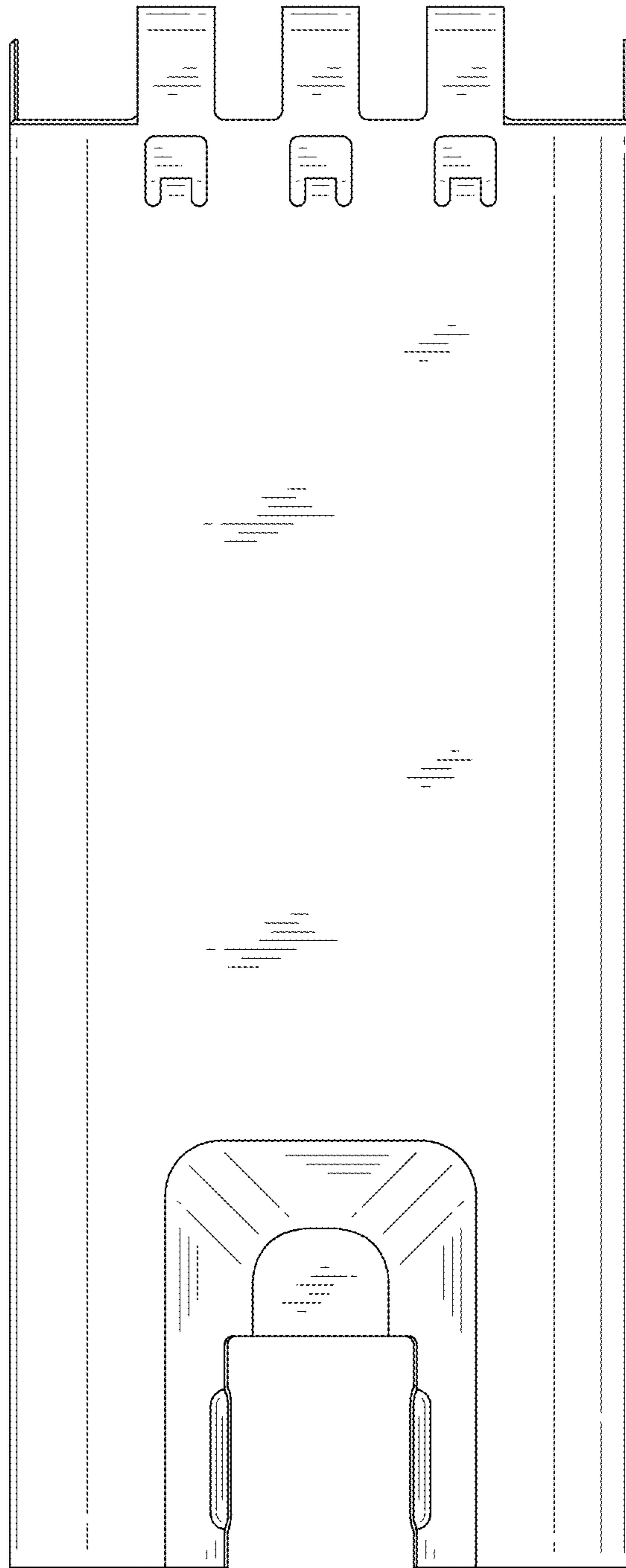


FIG.5

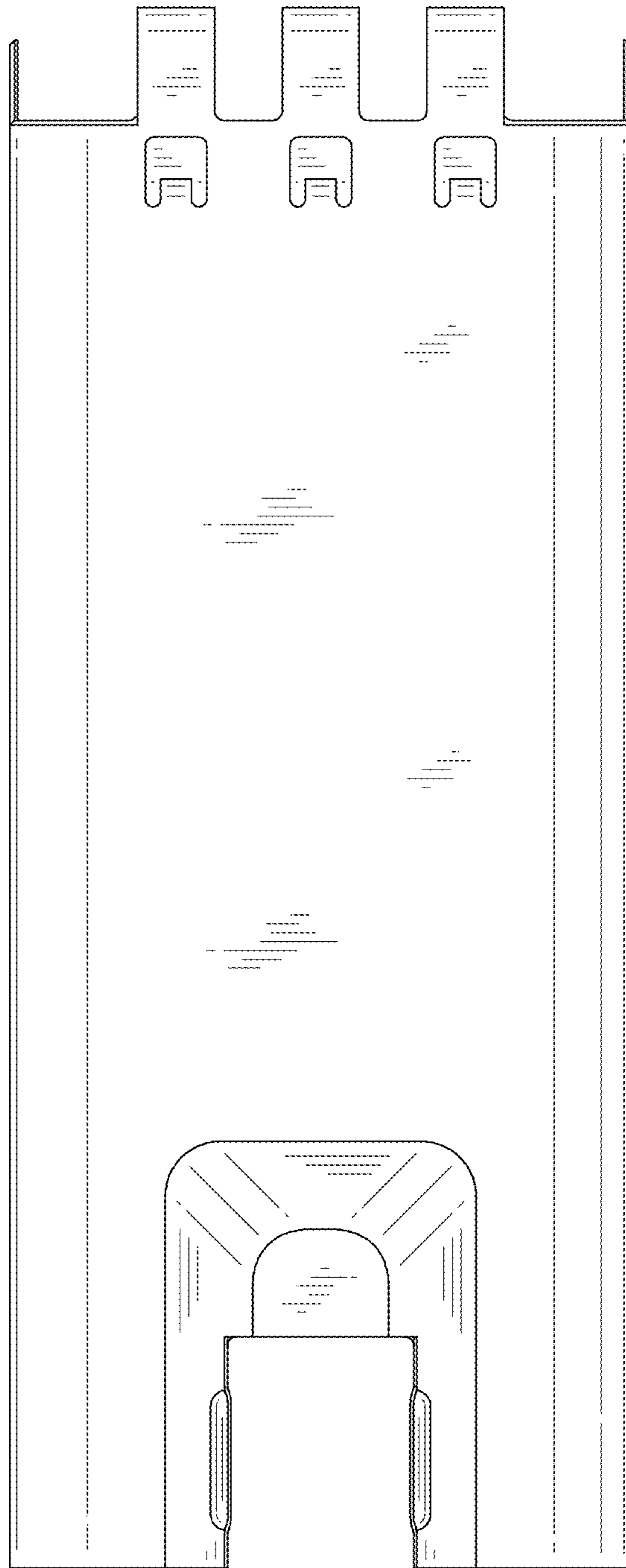


FIG.6

FIG.7

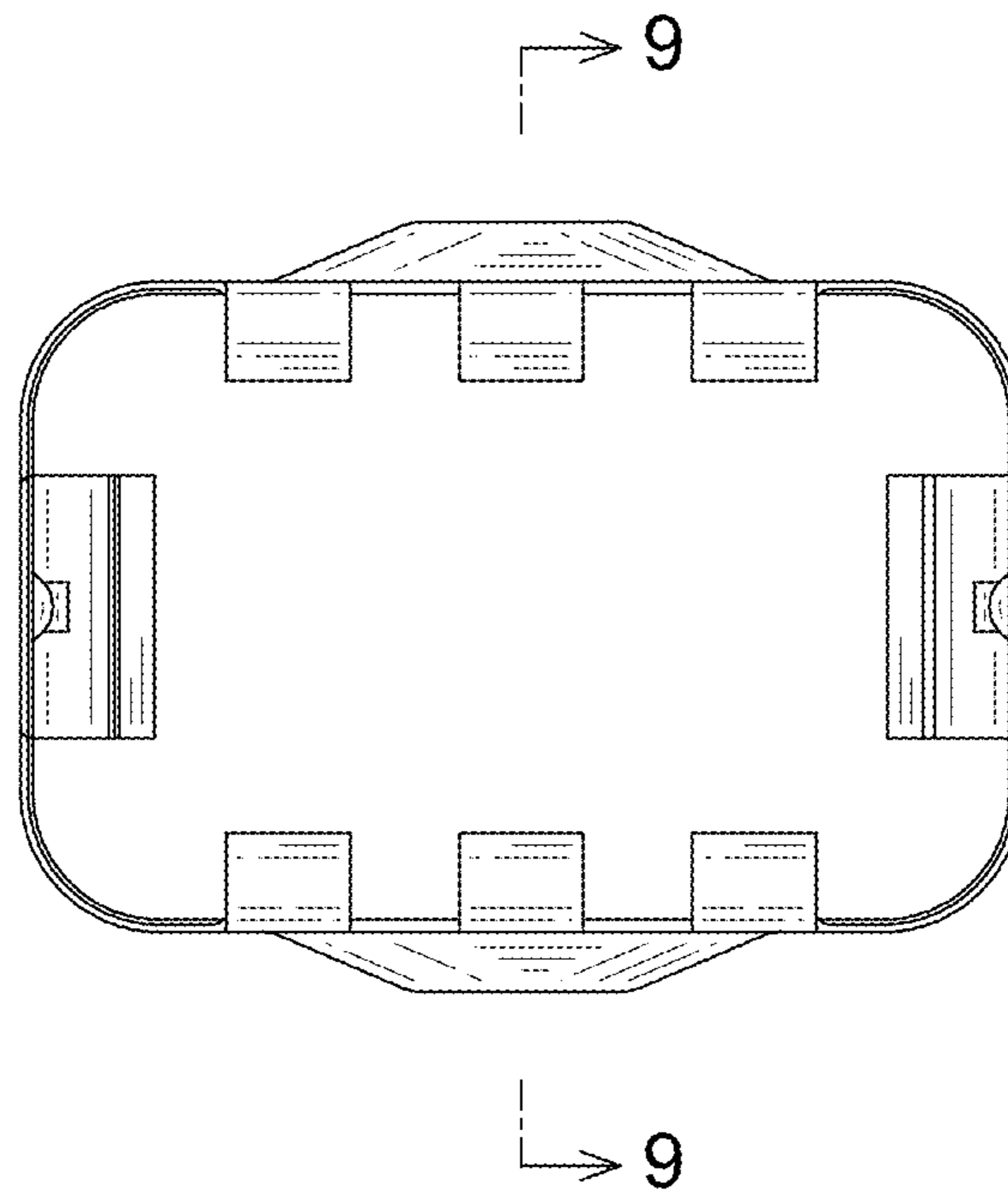
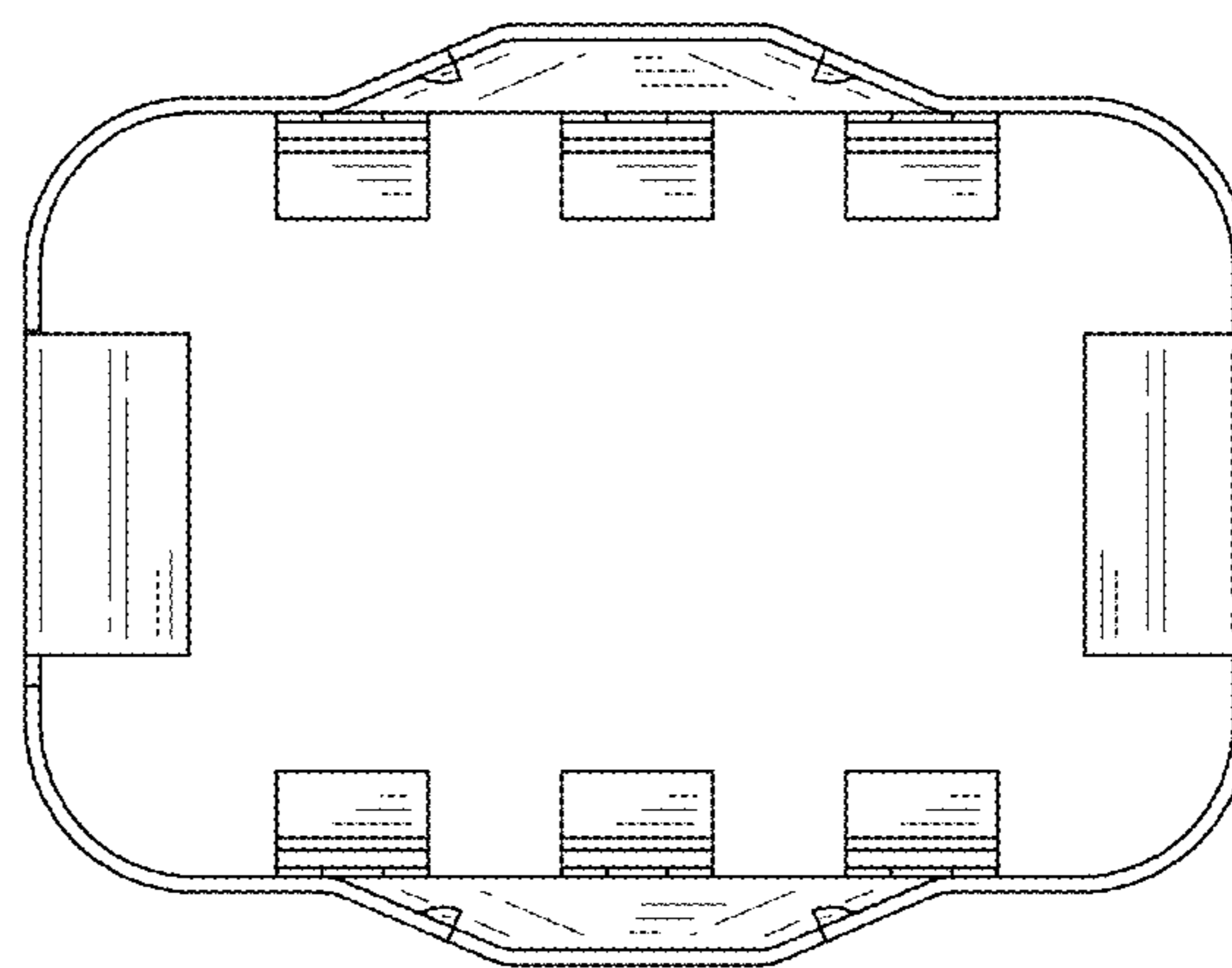


FIG.8





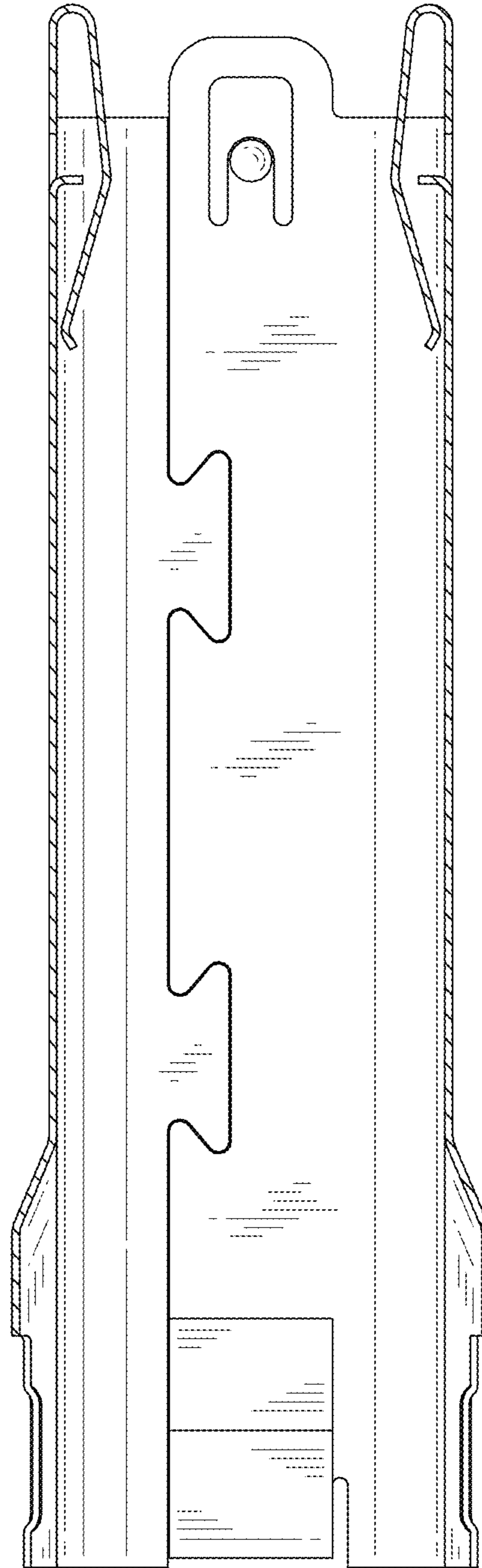


FIG. 9