



US00D901394S

(12) **United States Design Patent** (10) **Patent No.:** **US D901,394 S**  
**Gonzalez et al.** (45) **Date of Patent:** **\*\* Nov. 10, 2020**

(54) **CONNECTOR**

FOREIGN PATENT DOCUMENTS

(71) Applicant: **Molex, LLC**, Lisle, IL (US)  
(72) Inventors: **Michael Gonzalez**, Lisle, IL (US);  
**Manohara Ramakrishna Gowda**,  
Bangalore (IN); **KrishnaPrasad Darbal**  
**Somanath**, Bangalore (IN); **Joseph D.**  
**Comerci**, Lisle, IL (US); **Ishwarappa**  
**Ganamukhi**, Bangalore (IN)

TW	D178858	10/2016
TW	D186591	11/2017
TW	D187629	1/2018
TW	D187630	1/2018

(73) Assignee: **Molex, LLC**, Lisle, IL (US)

(\*\*) Term: **15 Years**

OTHER PUBLICATIONS

Electrical Connector, May 21, 2016, [online], [site visited Apr. 7, 2020], Available from Internet URL: [https://www.amazon.com/dp/B07QFW8X9Z/ref=psdc\\_15729341\\_t5\\_B01A6LTK44](https://www.amazon.com/dp/B07QFW8X9Z/ref=psdc_15729341_t5_B01A6LTK44) (Year: 2016).\*

(21) Appl. No.: **29/681,961**

\* cited by examiner

(22) Filed: **Feb. 28, 2019**

*Primary Examiner* — Karen E Kearney

*Assistant Examiner* — Michael Chong

(51) **LOC (12) Cl.** ..... **13-03**

(74) *Attorney, Agent, or Firm* — Banner & Witcoff, Ltd.

(52) **U.S. Cl.**

(57) **CLAIM**

USPC ..... **D13/147**

The ornamental design for a connector, as shown and described.

(58) **Field of Classification Search**

USPC ..... D13/133, 146, 147, 153, 154, 155, 156,  
D13/184

**DESCRIPTION**

CPC .... H01R 13/02; H01R 13/436; H01R 13/502;  
H01R 13/504; H01R 13/506; H01R  
13/62; H01R 13/64; H01R 13/641

FIG. 1 is a front perspective view of a connector showing our new design;

FIG. 2 is a rear perspective view thereof;

FIG. 3 is a left side view thereof;

FIG. 4 is a right side view thereof;

FIG. 5 is a top view thereof;

FIG. 6 is a bottom view thereof;

FIG. 7 is a front view thereof; and,

FIG. 8 is a rear view thereof.

See application file for complete search history.

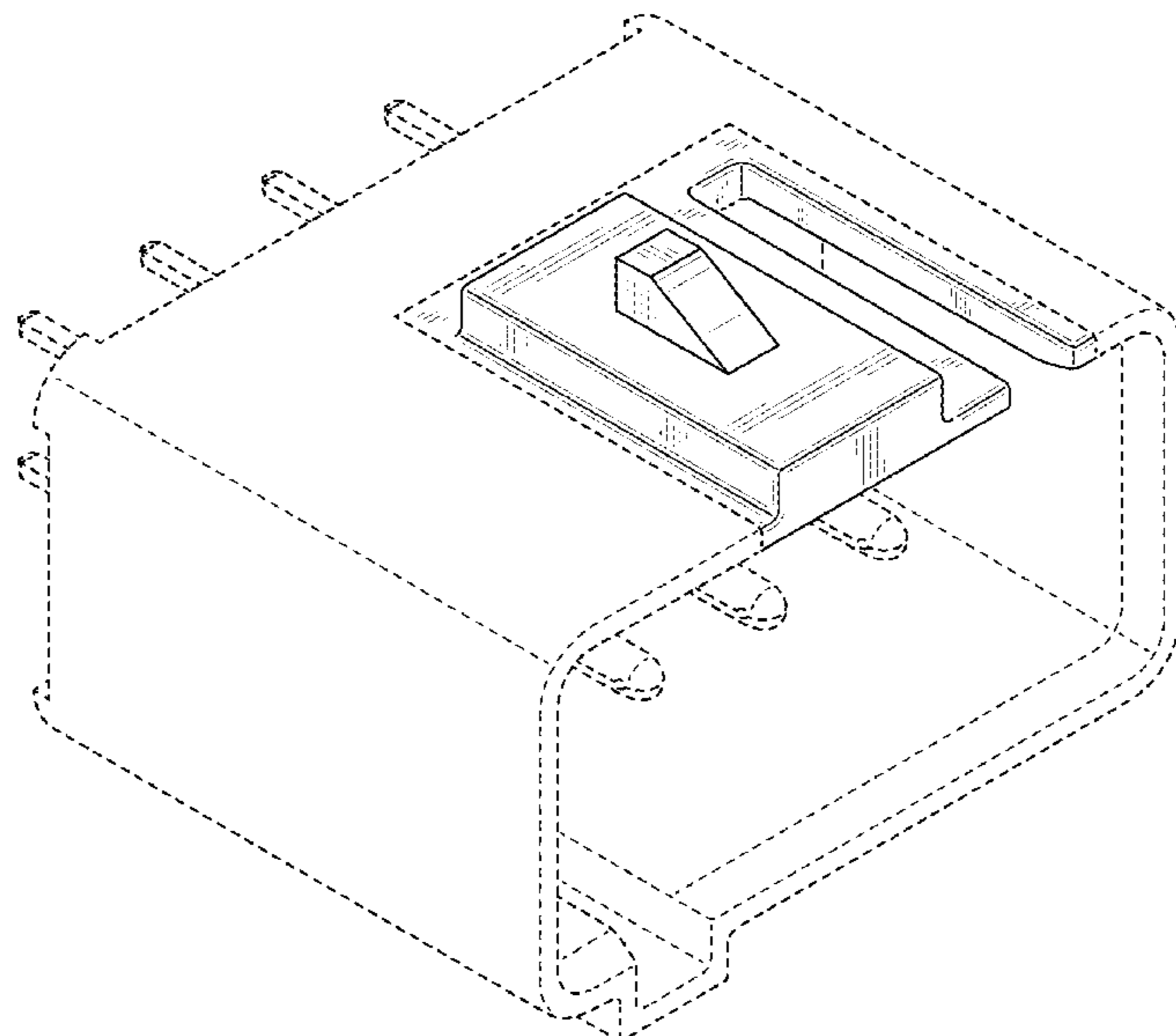
The broken lines immediately adjacent to the shaded areas represent the bounds of the claimed design and form no part thereof. The broken lines depicting the remainder of the connector show features that form no part of the claimed design.

(56) **References Cited**

U.S. PATENT DOCUMENTS

D503,150	S	*	3/2005	Yamawaki	.....	D13/147
D747,689	S	*	1/2016	Endo	.....	D13/147
D748,580	S	*	2/2016	Endo	.....	D13/146
9,620,879	B2	*	4/2017	Li	.....	H01R 4/185
9,847,597	B2	*	12/2017	Uttarkar	.....	H01R 13/6272
D810,689	S	*	2/2018	Takano	.....	D13/147
D822,607	S	*	7/2018	Chadbourne		
D831,574	S	*	10/2018	Ramanna	.....	D13/146
10,468,804	B2	*	11/2019	Kawamura	.....	H01R 13/15
D876,366	S	*	2/2020	Holub	.....	D13/147

**1 Claim, 8 Drawing Sheets**



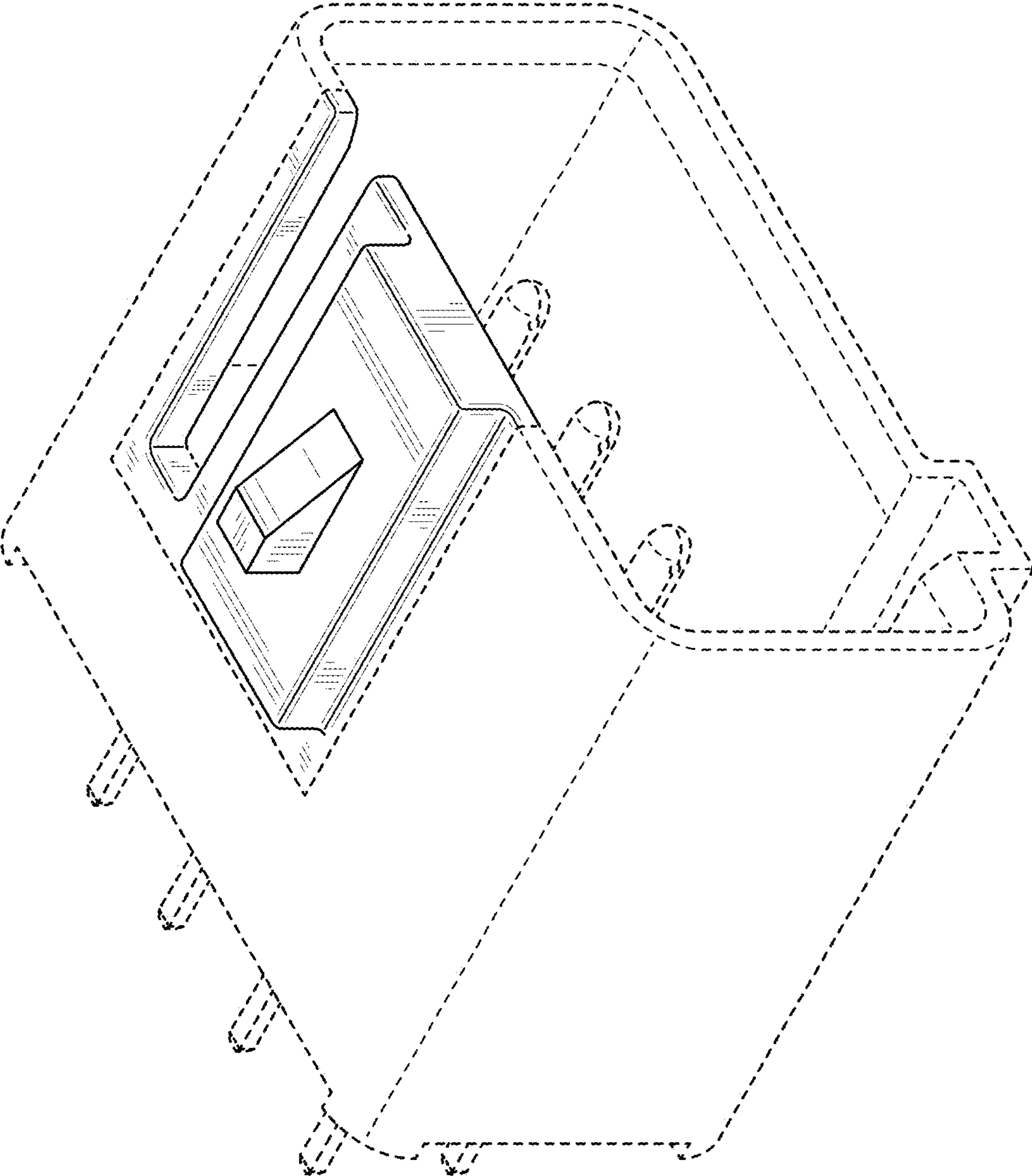


FIG. 1

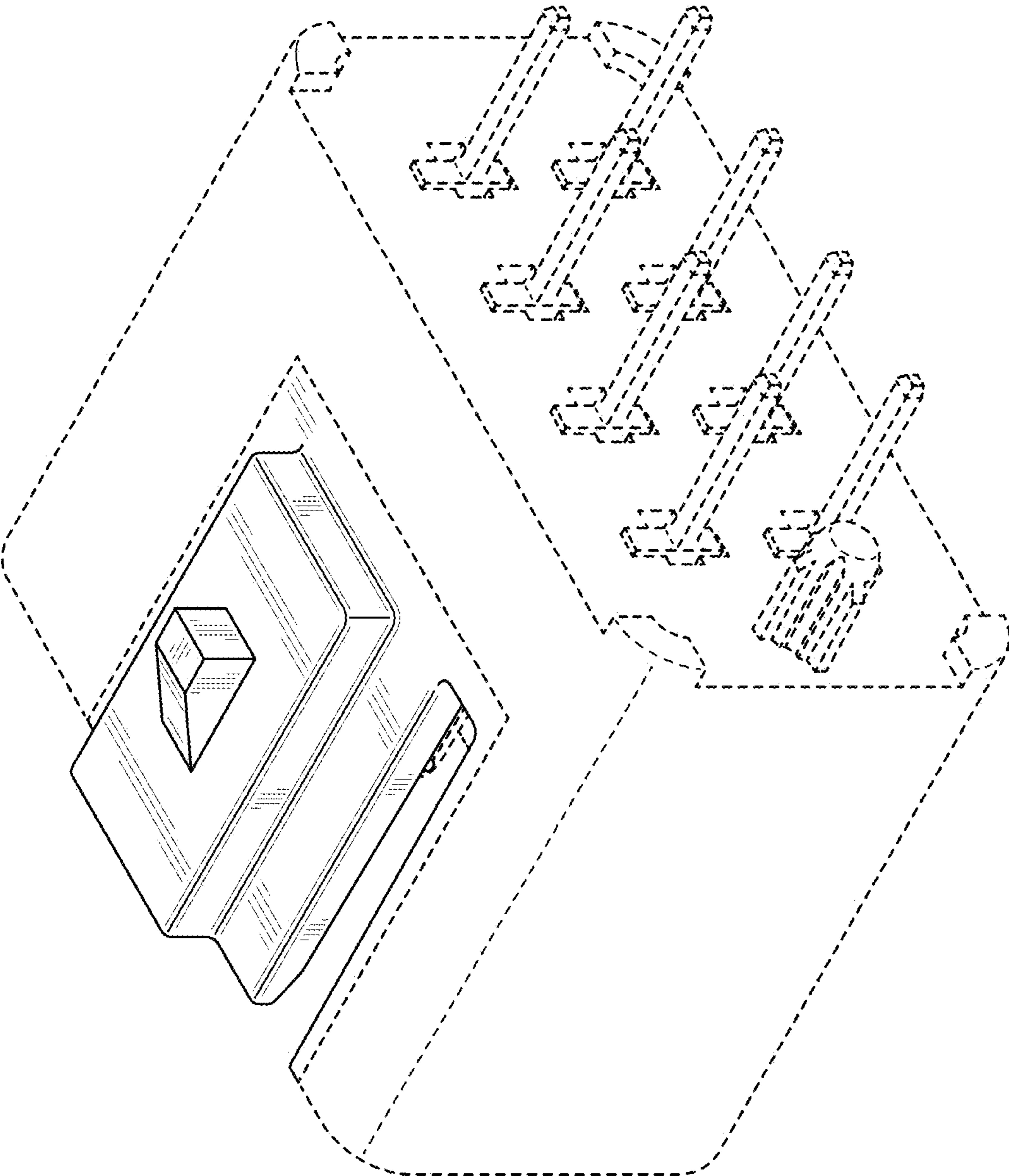


FIG. 2

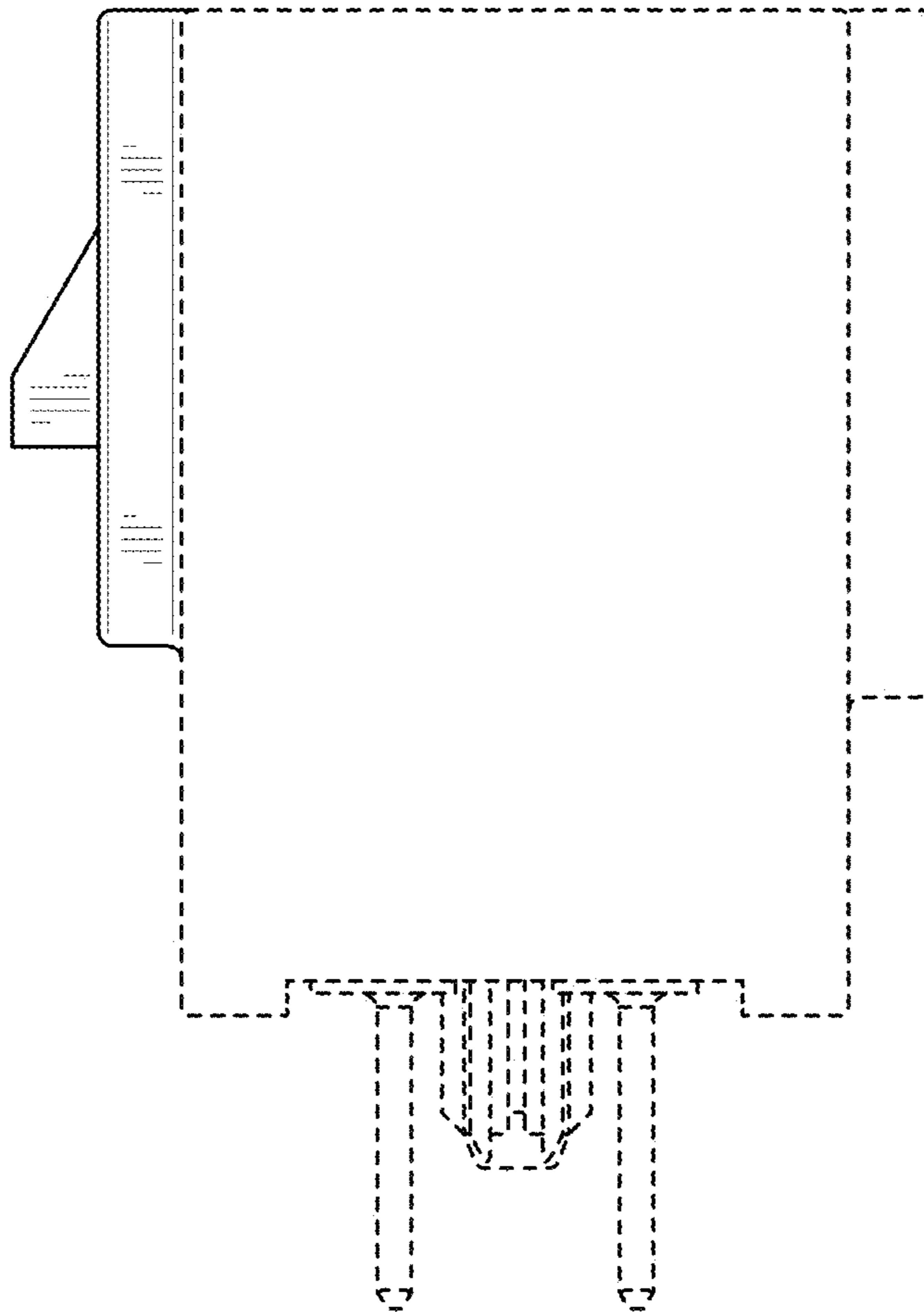


FIG. 3

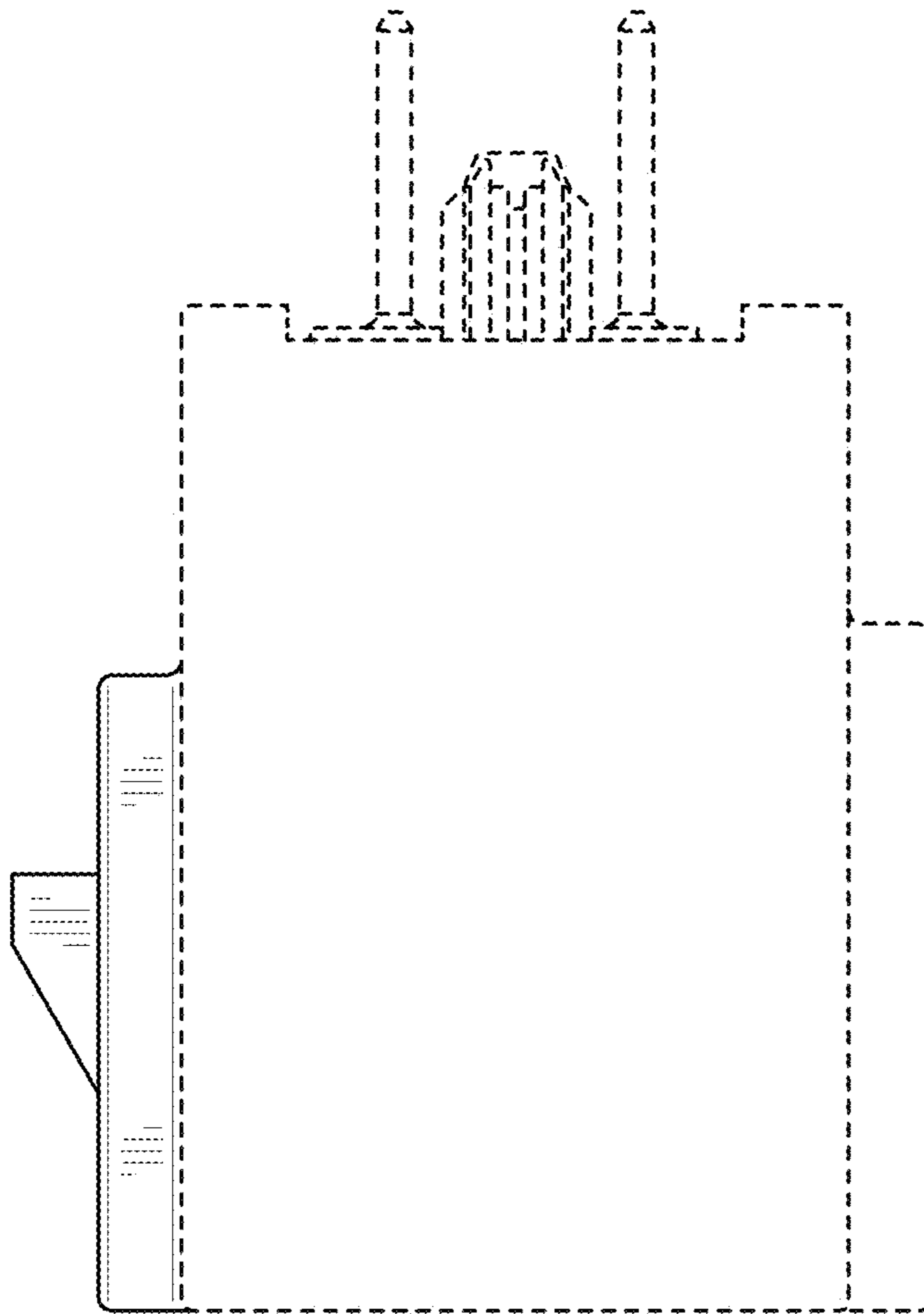


FIG. 4

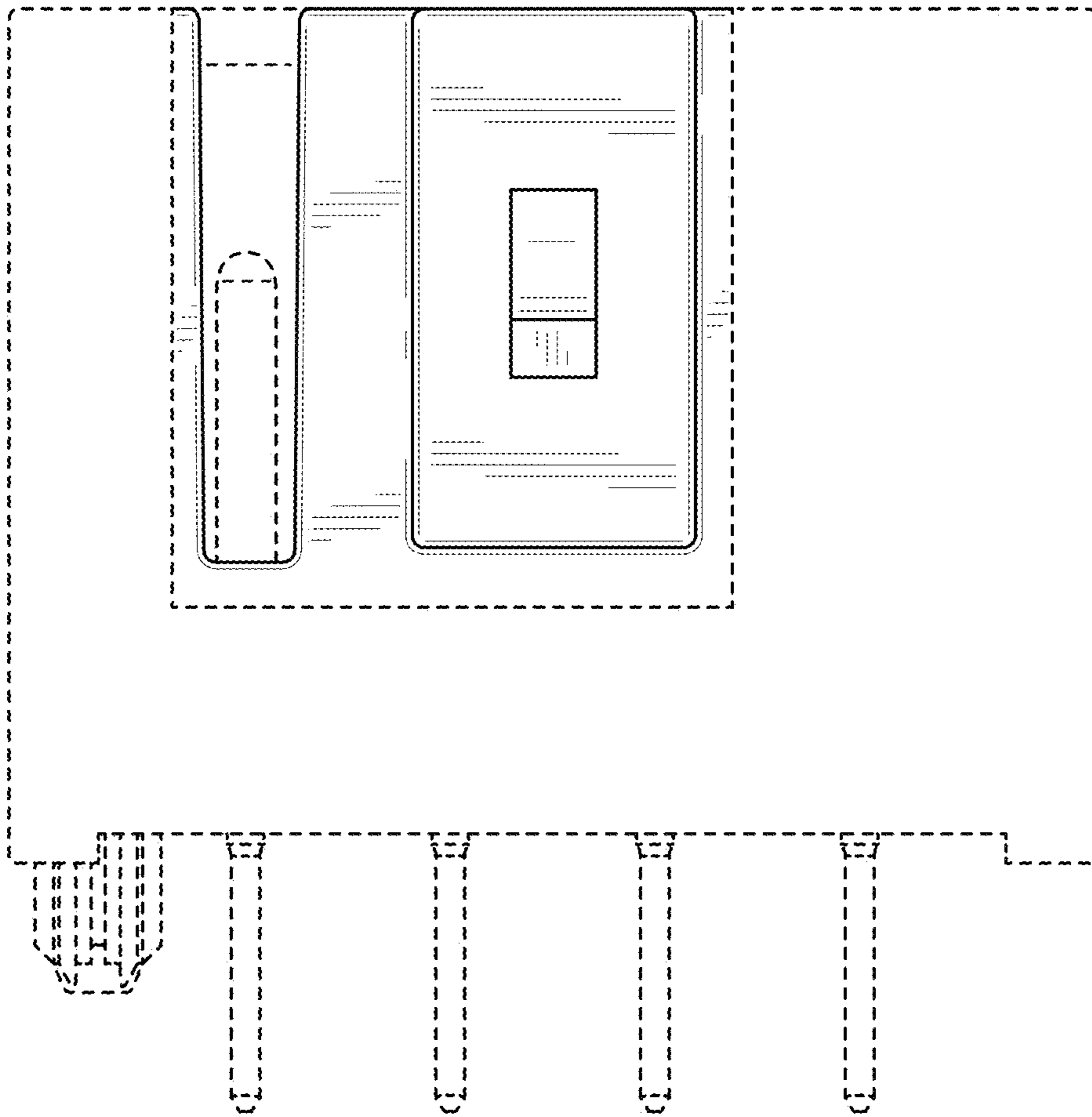


FIG. 5

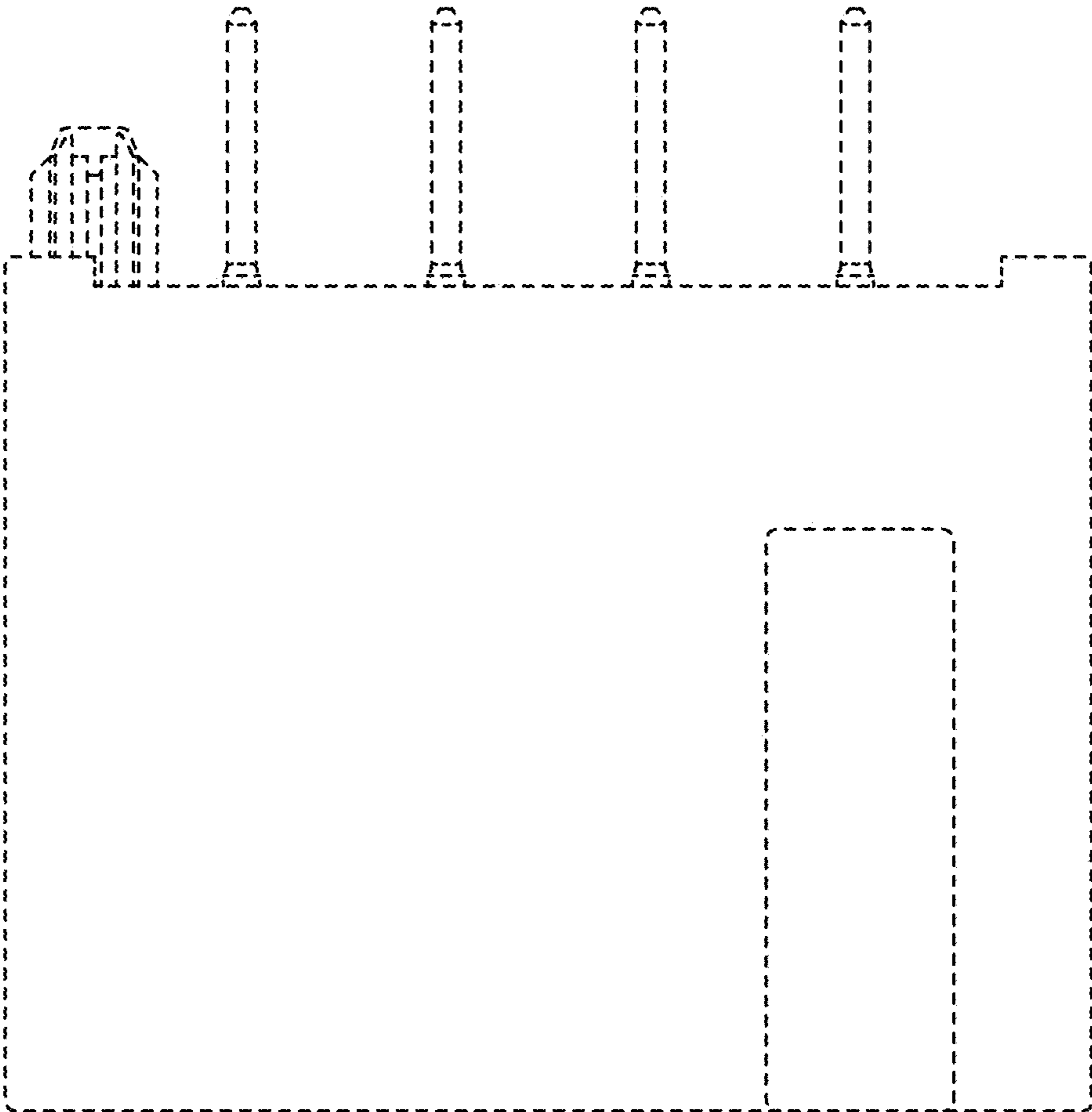


FIG. 6

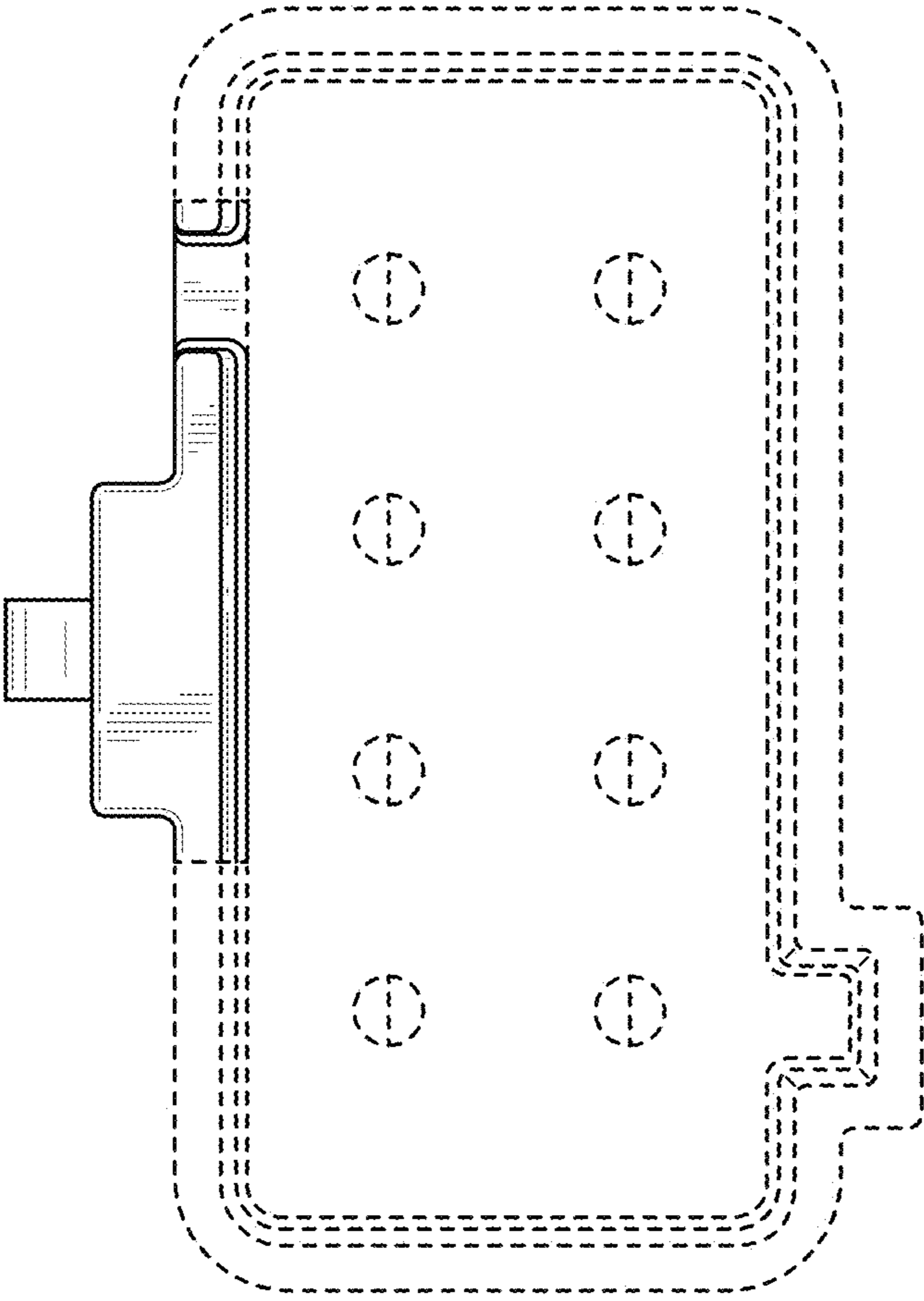


FIG. 7



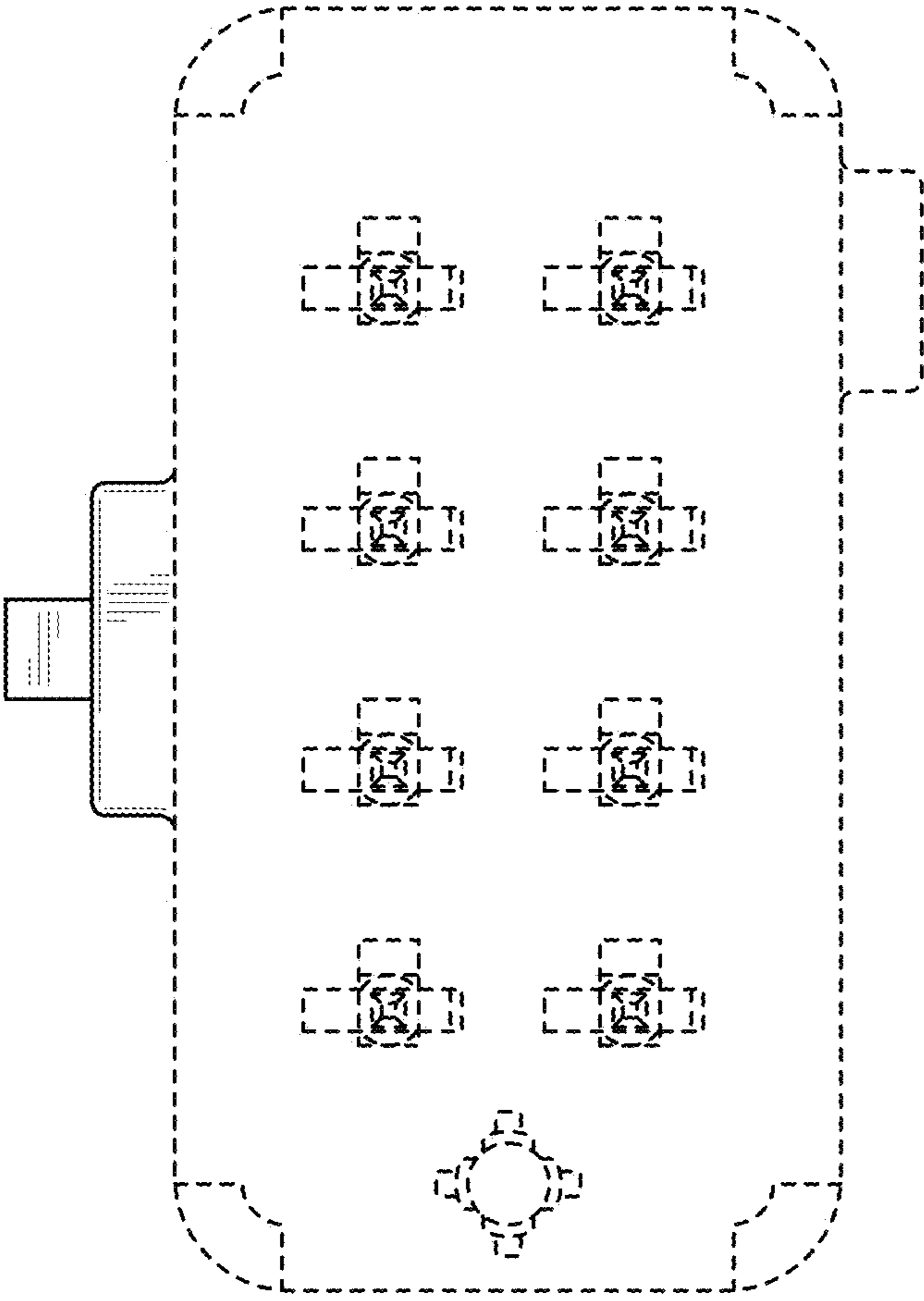


FIG. 8