



US00D901393S

(12) **United States Design Patent** (10) **Patent No.:** **US D901,393 S**  
**Gonzalez et al.** (45) **Date of Patent:** **\*\* Nov. 10, 2020**

(54) **CONNECTOR SHELL ASSEMBLY**  
(71) Applicant: **Molex, LLC**, Lisle, IL (US)  
(72) Inventors: **Michael Gonzalez**, Lisle, IL (US);  
**Joseph D. Comerci**, Lisle, IL (US);  
**Ishwarappa Ganamukhi**, Bangalore  
(IN); **KrishnaPrasad Darbal**  
**Somanath**, Bangalore (IN); **Manohara**  
**Ramakrishna Gowda**, Bangalore (IN)

D678,201 S \* 3/2013 Corona ..... D13/133  
D678,202 S \* 3/2013 Corona ..... D13/133  
D679,254 S \* 4/2013 Svelnis ..... D13/133  
D679,662 S \* 4/2013 Svelnis ..... D13/133  
D697,488 S \* 1/2014 Smith ..... D13/147  
8,678,846 B2 \* 3/2014 Hitchcock ..... H01R 13/6272  
439/352

(Continued)

**FOREIGN PATENT DOCUMENTS**

TW D184084 7/2017  
TW D184085 7/2017

(73) Assignee: **Molex, LLC**, Lisle, IL (US)

(\*\*) Term: **15 Years**

(21) Appl. No.: **29/681,959**

(22) Filed: **Feb. 28, 2019**

(51) **LOC (12) Cl.** ..... **13-03**

(52) **U.S. Cl.**  
USPC ..... **D13/147**

(58) **Field of Classification Search**  
USPC ..... D13/133, 146, 147, 151, 153, 155, 156,  
D13/184

CPC .... H01R 13/02; H01R 13/436; H01R 13/502;  
H01R 13/504; H01R 13/506; H01R  
13/62; H01R 13/64; H01R 13/641

See application file for complete search history.

(56) **References Cited**

**U.S. PATENT DOCUMENTS**

4,108,527 A \* 8/1978 Douty ..... H01R 13/627  
439/465  
6,939,159 B1 \* 9/2005 Klein ..... H01R 13/6272  
439/352  
7,097,483 B2 \* 8/2006 Hayashi ..... H01R 13/5219  
439/271  
D561,103 S \* 2/2008 Grant ..... D13/147  
D561,107 S \* 2/2008 Cuff ..... D13/147  
D561,108 S \* 2/2008 Cuff ..... D13/147  
D608,286 S \* 1/2010 Stutz ..... D13/147  
D627,733 S \* 11/2010 Stutz ..... D13/147

**OTHER PUBLICATIONS**

Connector Housing, Oct. 3, 2017, [online], [site visited Jun. 18, 2020], Available from Internet URL: [https://www.molex.com/pdm\\_docs/ps/PS-33471-000-001.pdf](https://www.molex.com/pdm_docs/ps/PS-33471-000-001.pdf) (Year: 2017).\*

*Primary Examiner* — Karen E Kearney

*Assistant Examiner* — Michael Chong

(74) *Attorney, Agent, or Firm* — Banner & Witcoff, Ltd.

(57) **CLAIM**

The ornamental design for a connector shell assembly, as shown and described.

**DESCRIPTION**

FIG. 1 is a front top perspective view of a connector shell assembly showing our new design;

FIG. 2 is a rear bottom perspective view thereof;

FIG. 3 is a top view thereof;

FIG. 4 is a bottom view thereof;

FIG. 5 is a right side view thereof;

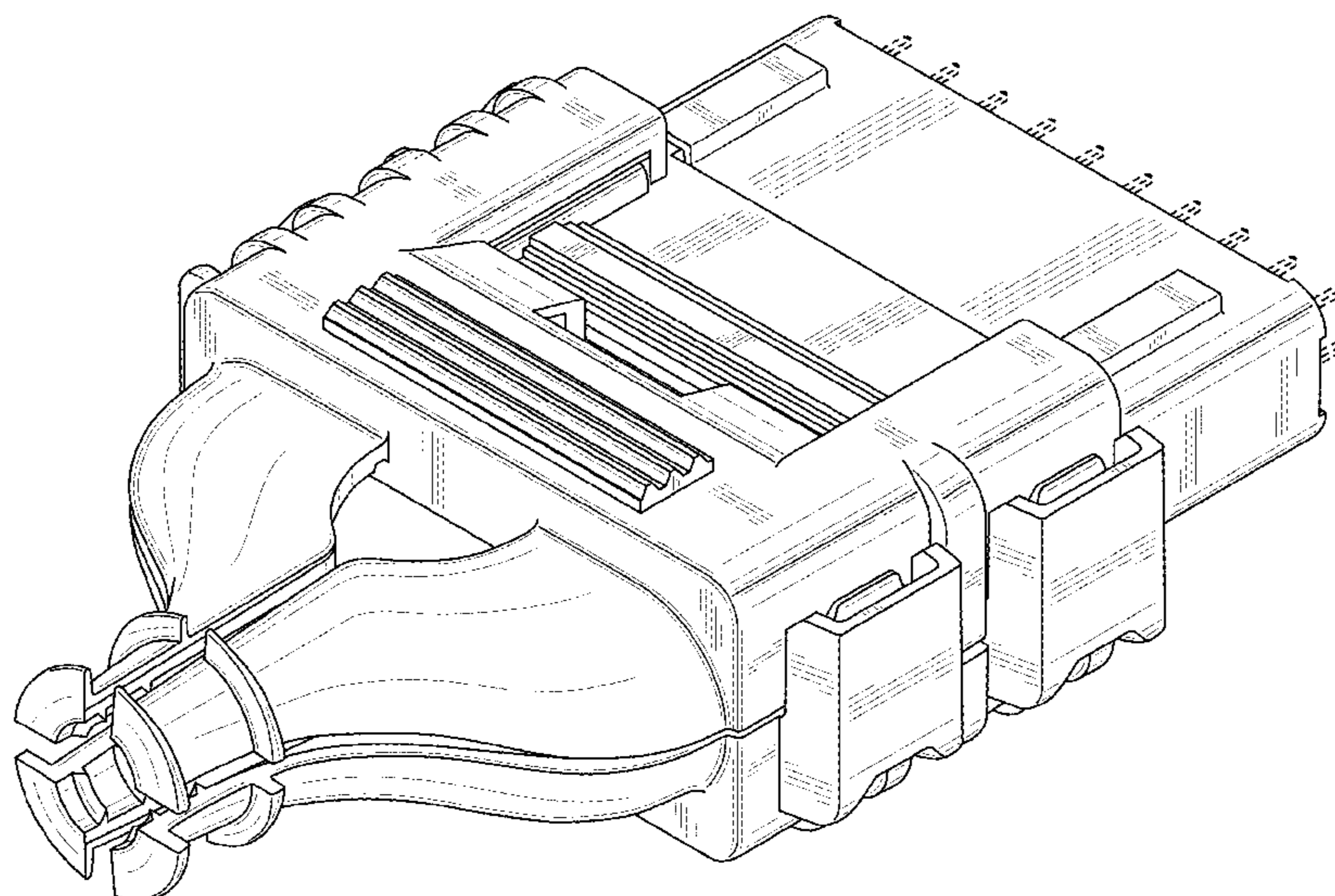
FIG. 6 is a left side view thereof;

FIG. 7 is a front view thereof; and,

FIG. 8 is a rear view thereof.

The broken lines depicting the remainder of the connector shell assembly show features that form no part of the claimed design.

**1 Claim, 8 Drawing Sheets**



(56)

**References Cited**

U.S. PATENT DOCUMENTS

9,620,879 B2 \* 4/2017 Li ..... H01R 4/185  
9,847,597 B2 \* 12/2017 Uttarkar ..... H01R 13/6272  
D818,962 S 5/2018 Ramanna et al.  
D821,974 S 7/2018 Ramanna et al.  
D827,574 S \* 9/2018 Kawakami ..... D13/133  
D829,658 S \* 10/2018 Ramanna ..... D13/133  
D835,044 S \* 12/2018 Ramanna ..... D13/146  
D848,952 S \* 5/2019 Gregori ..... D13/147  
D848,953 S \* 5/2019 Gregori ..... D13/147  
10,468,804 B2 \* 11/2019 Kawamura ..... H01R 13/15

\* cited by examiner

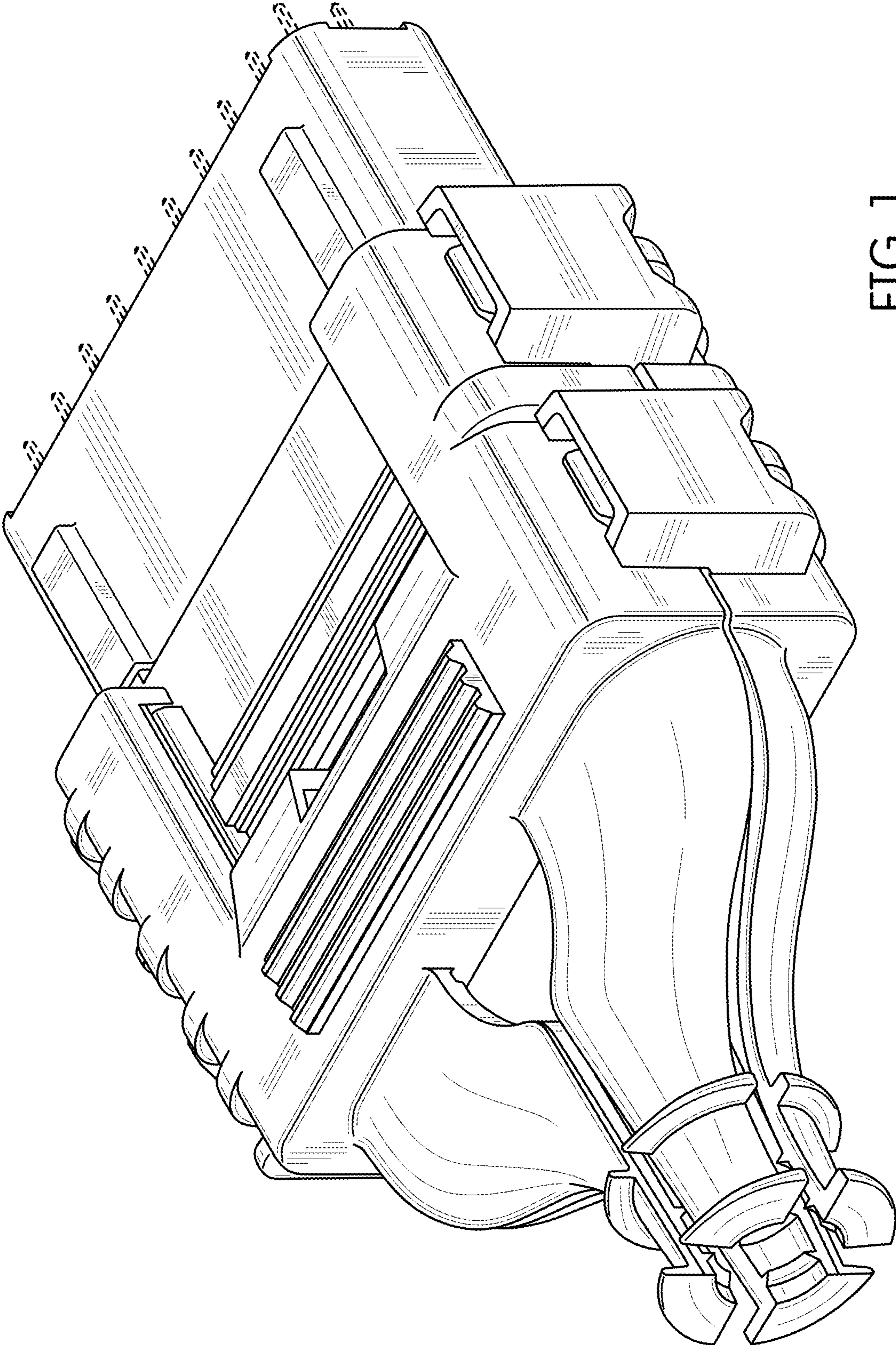


FIG. 1

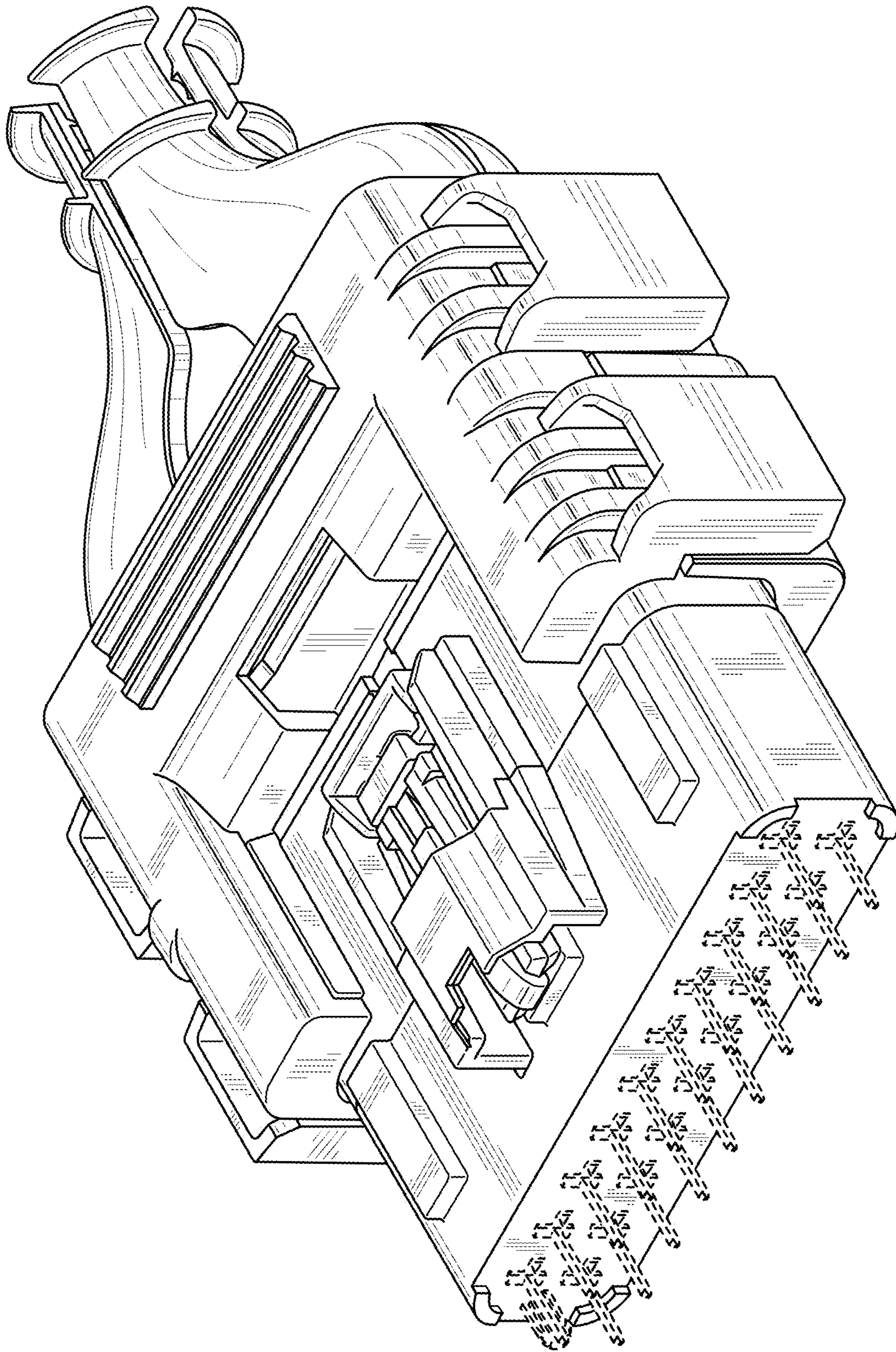


FIG. 2

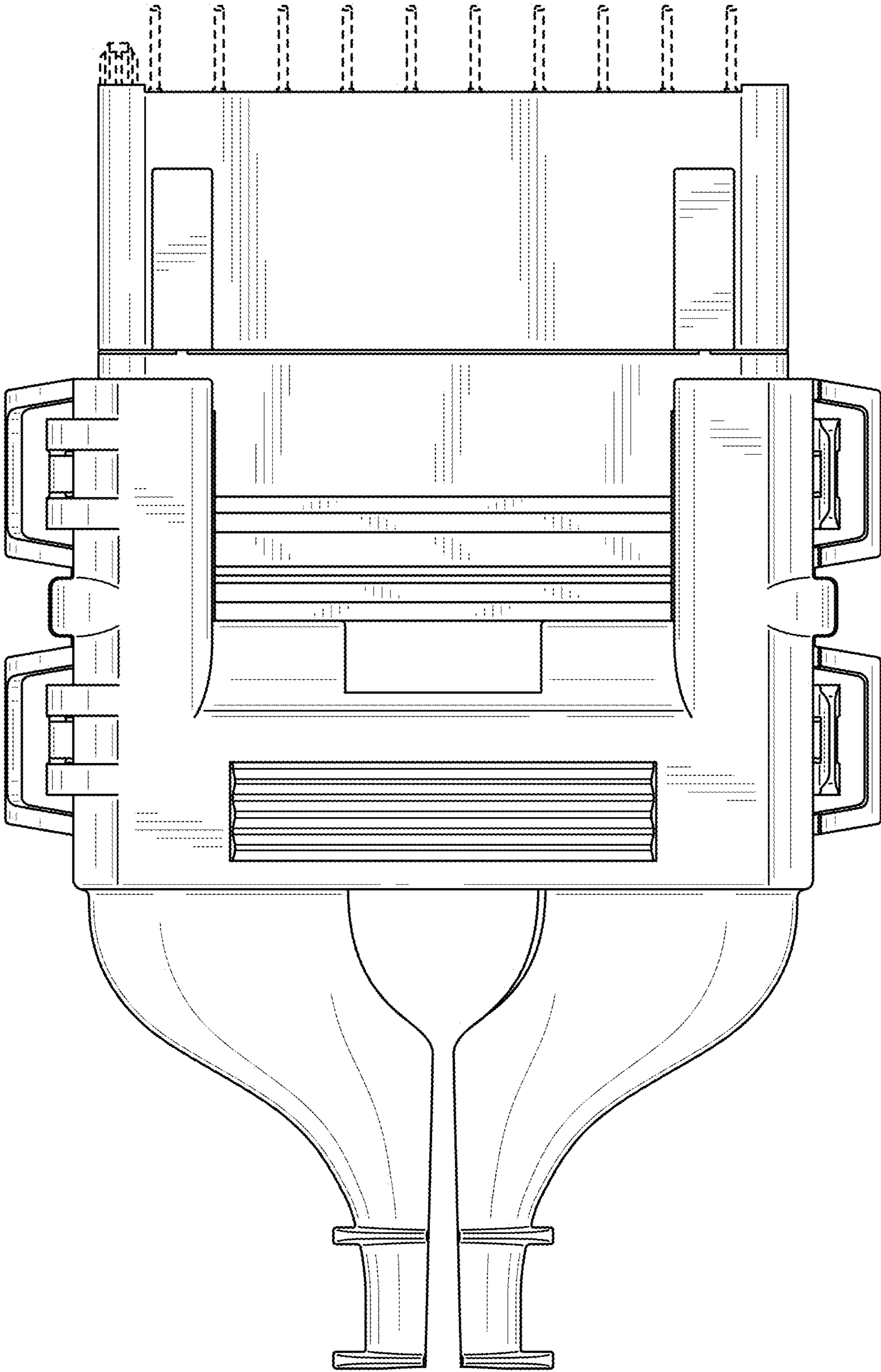


FIG. 3

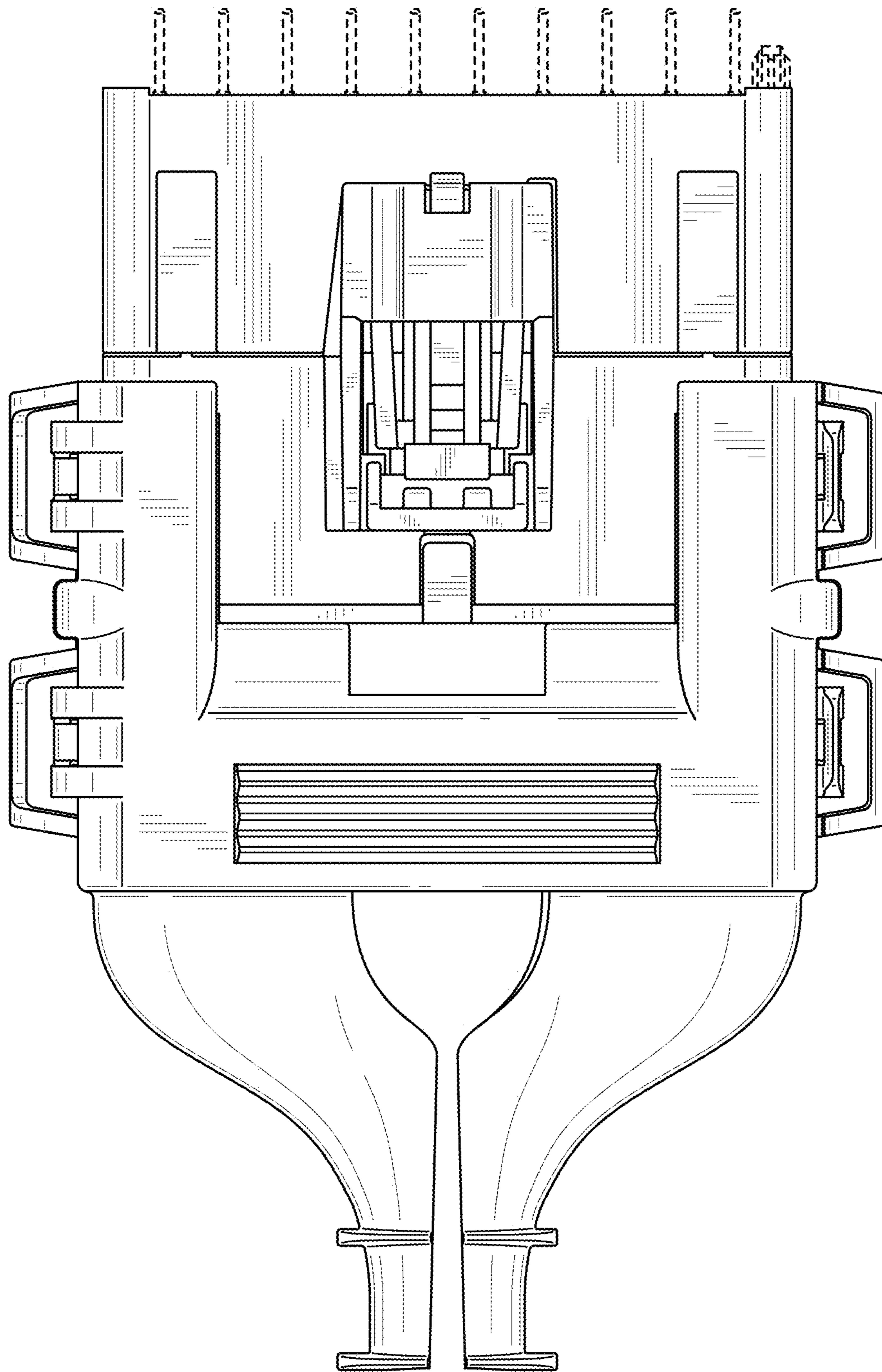


FIG. 4

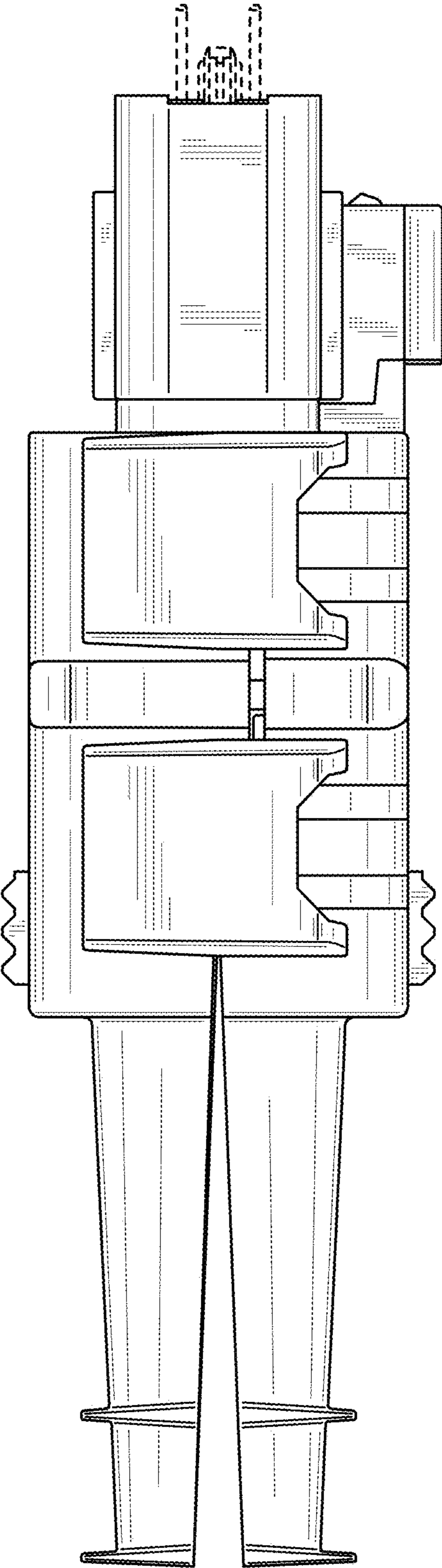


FIG. 5

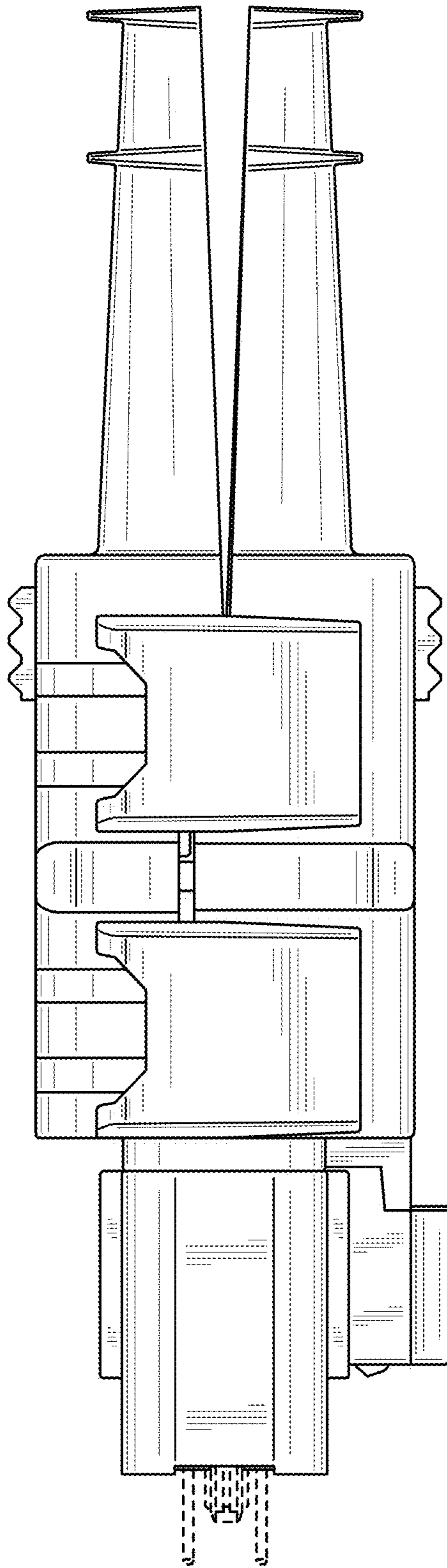


FIG. 6



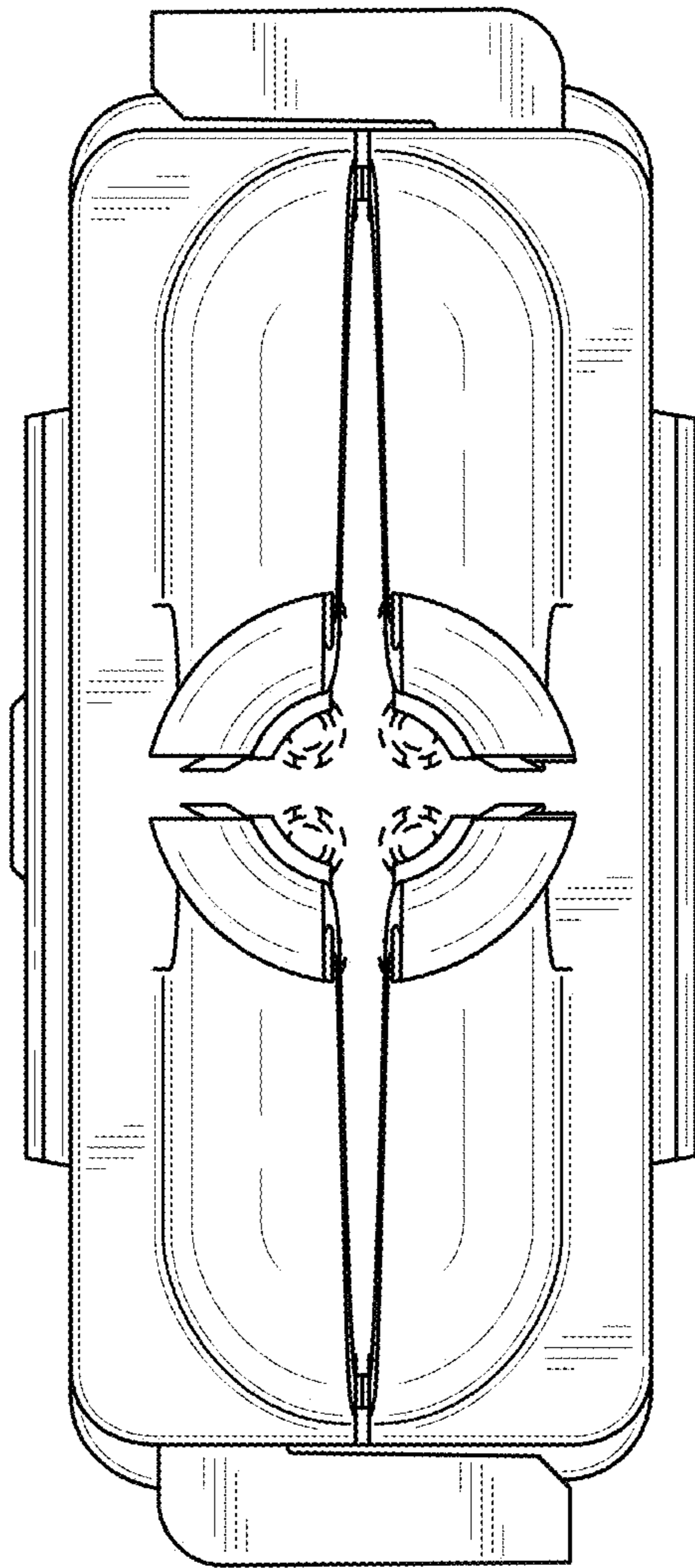


FIG. 7

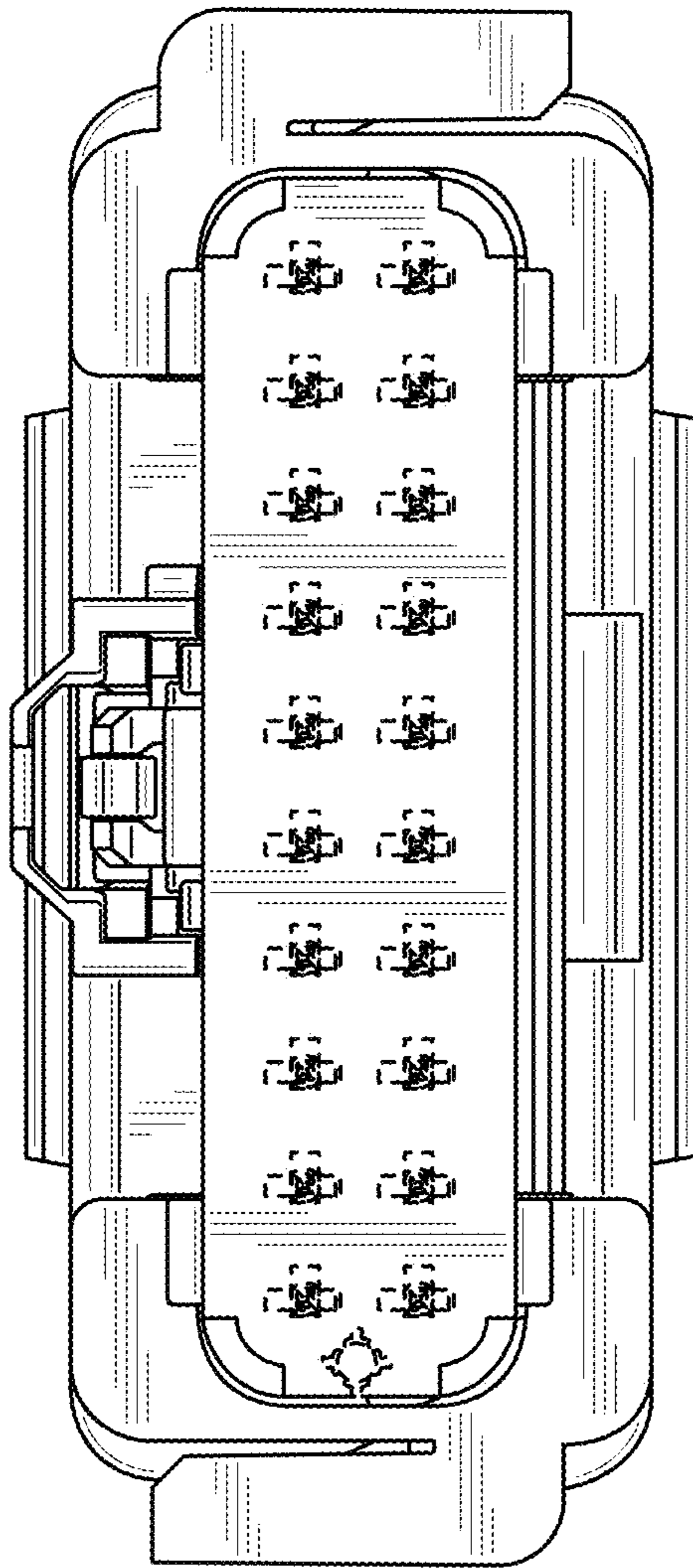


FIG. 8