

US00D901392S

(12) **United States Design Patent**
Gonzalez et al.

(10) **Patent No.:** **US D901,392 S**

(45) **Date of Patent:** **** Nov. 10, 2020**

(54) **CONNECTOR**

(71) Applicant: **Molex, LLC**, Lisle, IL (US)

(72) Inventors: **Michael Gonzalez**, Lisle, IL (US);
Joseph D. Comerci, Lisle, IL (US);
Ishwarappa Ganamukhi, Bangalore (IN);
KrishnaPrasad Darbal Somanath, Bangalore (IN);
Manohara Ramakrishna Gowda, Bangalore (IN)

(73) Assignee: **Molex, LLC**, Lisle, IL (US)

(**) Term: **15 Years**

(21) Appl. No.: **29/681,947**

(22) Filed: **Feb. 28, 2019**

(51) **LOC (12) Cl.** **13-03**

(52) **U.S. Cl.**
USPC **D13/147**

(58) **Field of Classification Search**
USPC D13/133, 146, 147, 151, 153, 155, 156,
D13/184

(Continued)

(56) **References Cited**

U.S. PATENT DOCUMENTS

D503,150 S * 3/2005 Yamawaki D13/147
6,939,159 B1 * 9/2005 Klein H01R 13/6272
439/352

(Continued)

OTHER PUBLICATIONS

Electrical Connector, May 21, 2016, [online], [site visited Apr. 7, 2020], Available from Internet URL: https://www.amazon.com/dp/B07QFW8X9Z/ref=psdc_15729341_t5_B01A6LTK44 (Year: 2016).*

Primary Examiner — Karen E Kearney

Assistant Examiner — Michael Chong

(74) *Attorney, Agent, or Firm* — Banner & Witcoff, Ltd.

(57) **CLAIM**

The ornamental design for a connector, as shown and described.

DESCRIPTION

FIG. 1 is a top front perspective view of a connector showing our new design;

FIG. 2 is a bottom front perspective view thereof;

FIG. 3 is a top view thereof;

FIG. 4 is a bottom view thereof;

FIG. 5 is a left side view thereof;

FIG. 6 is a right side view thereof;

FIG. 7 is a front view thereof;

FIG. 8 is a rear view thereof;

FIG. 9 is a top front perspective view of an alternate embodiment of a connector which is a mirror image of the connector of FIGS. 1-8;

FIG. 10 is a bottom front perspective view thereof;

FIG. 11 is a top view thereof;

FIG. 12 is a bottom view thereof;

FIG. 13 is a left side view thereof;

FIG. 14 is a right side view thereof;

FIG. 15 is a front view thereof;

FIG. 16 is a rear view thereof;

FIG. 17 is a top front perspective view of an alternate embodiment of a connector showing our new design;

FIG. 18 is a bottom front perspective view thereof;

FIG. 19 is a top view thereof;

FIG. 20 is a bottom view thereof;

FIG. 21 is a left side view thereof;

FIG. 22 is a right side view thereof;

FIG. 23 is a front view thereof;

FIG. 24 is a rear view thereof;

FIG. 25 is a top front perspective view of an alternate embodiment of a connector which is a mirror image of the connector of FIGS. 17-24;

FIG. 26 is a bottom front perspective view thereof;

FIG. 27 is a top view thereof;

FIG. 28 is a bottom view thereof;

FIG. 29 is a left side view thereof;

FIG. 30 is a right side view thereof;

(Continued)

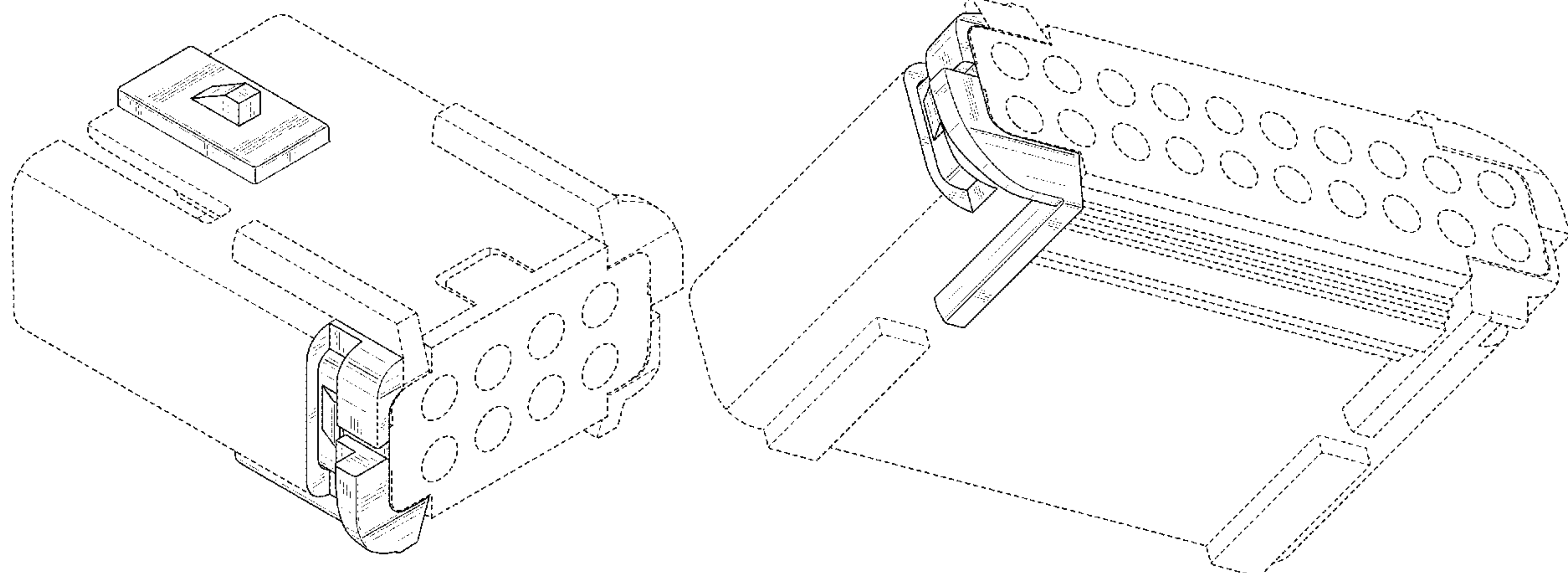


FIG. 31 is a front view thereof; and,
FIG. 32 is a rear view thereof.

The broken lines immediately adjacent to the shaded areas represent the bounds of the claimed design and form no part thereof. The broken lines depicting the remainder of the connector show features that form no part of the claimed design.

1 Claim, 32 Drawing Sheets

(58) **Field of Classification Search**

CPC H01R 13/02; H01R 13/436; H01R 13/502;
H01R 13/504; H01R 13/506; H01R
13/62; H01R 13/64; H01R 13/641

See application file for complete search history.

(56) **References Cited**

U.S. PATENT DOCUMENTS

9,620,879	B2 *	4/2017	Li	H01R 4/185
9,847,597	B2 *	12/2017	Uttarkar	H01R 13/6272
D810,689	S *	2/2018	Takano	D13/147
D811,345	S *	2/2018	Takano	D13/147
D831,574	S *	10/2018	Ramanna	D13/146
10,468,804	B2 *	11/2019	Kawamura	H01R 13/15
D876,366	S *	2/2020	Holub	D13/147

* cited by examiner

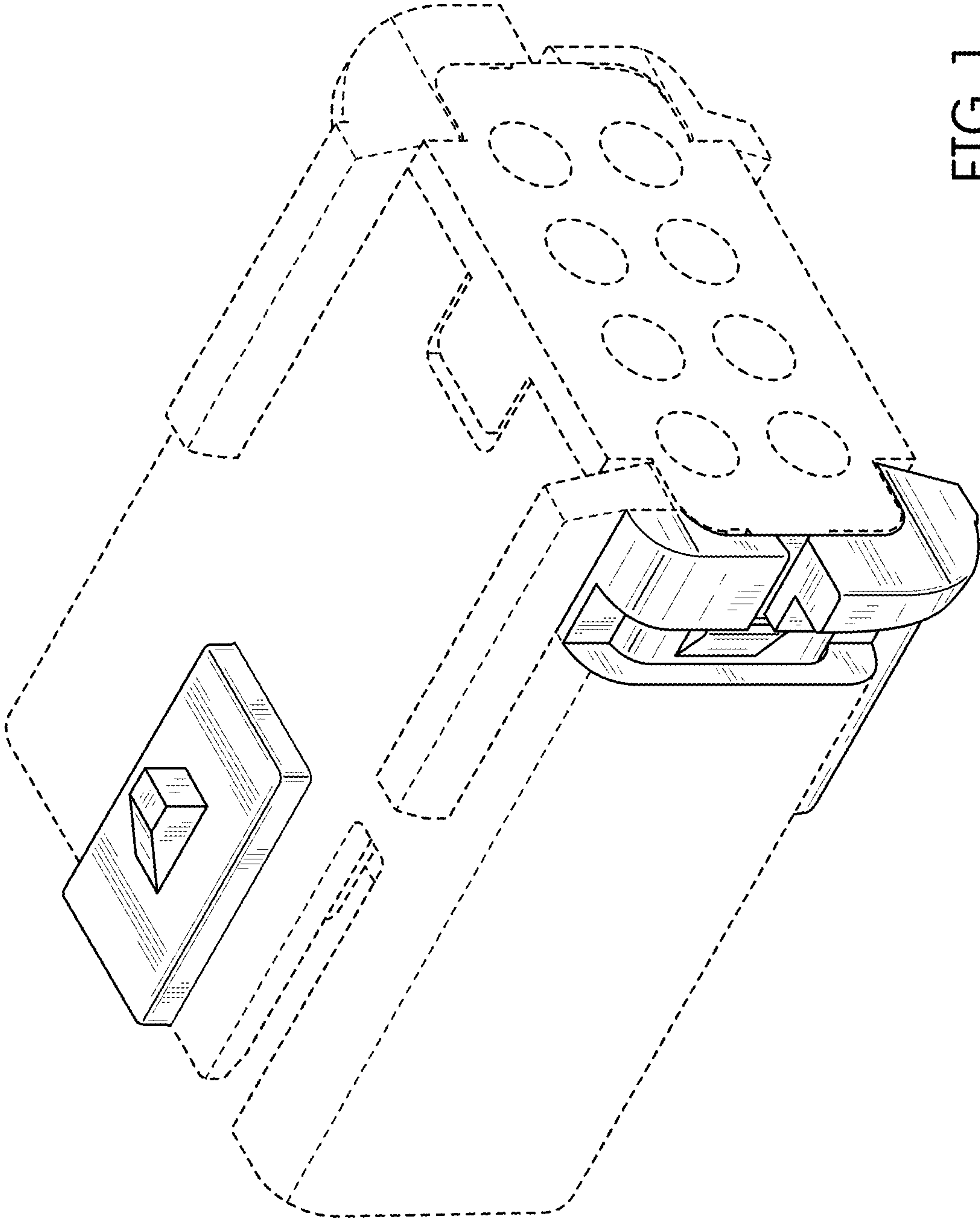


FIG. 1

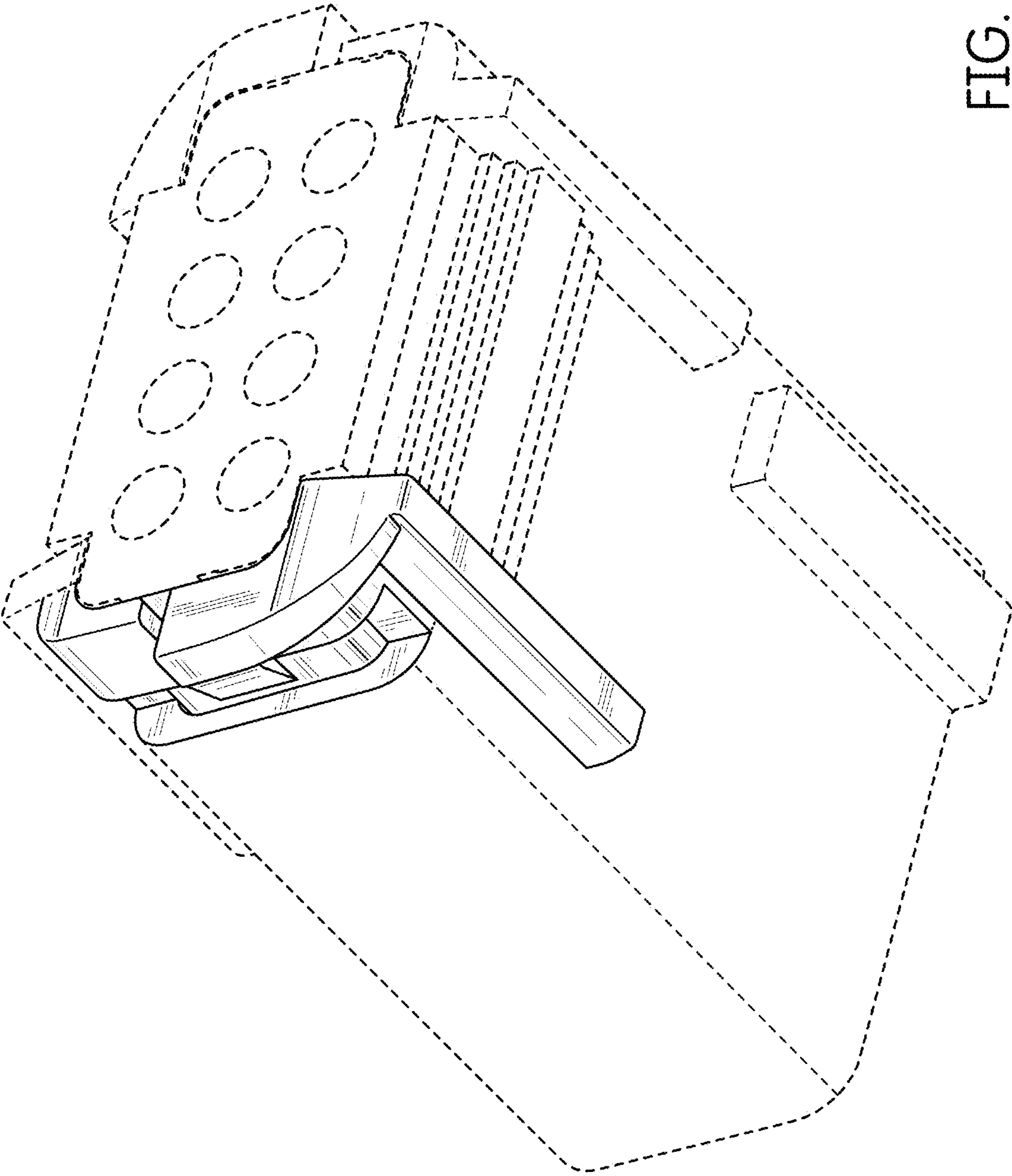


FIG. 2

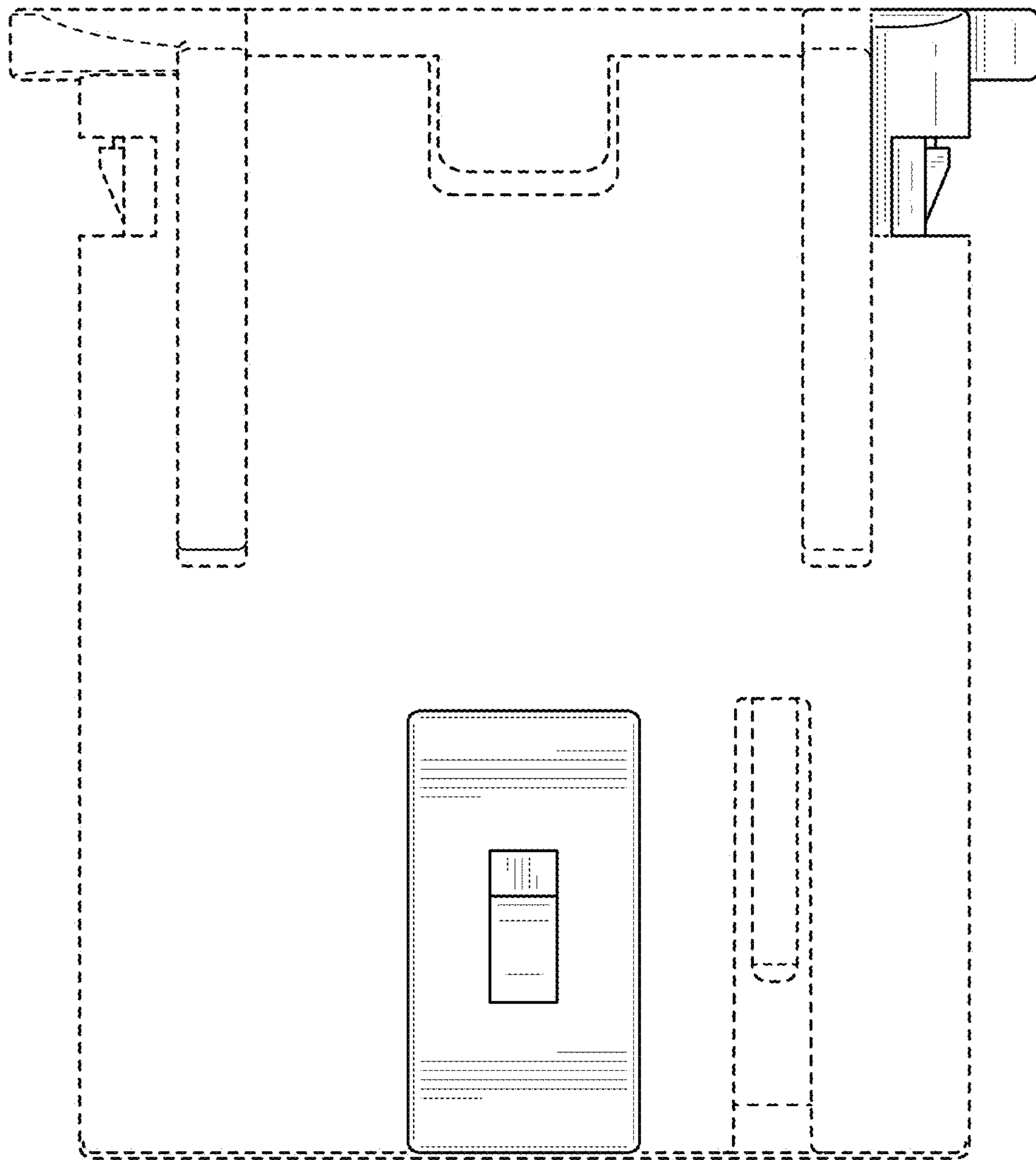


FIG. 3

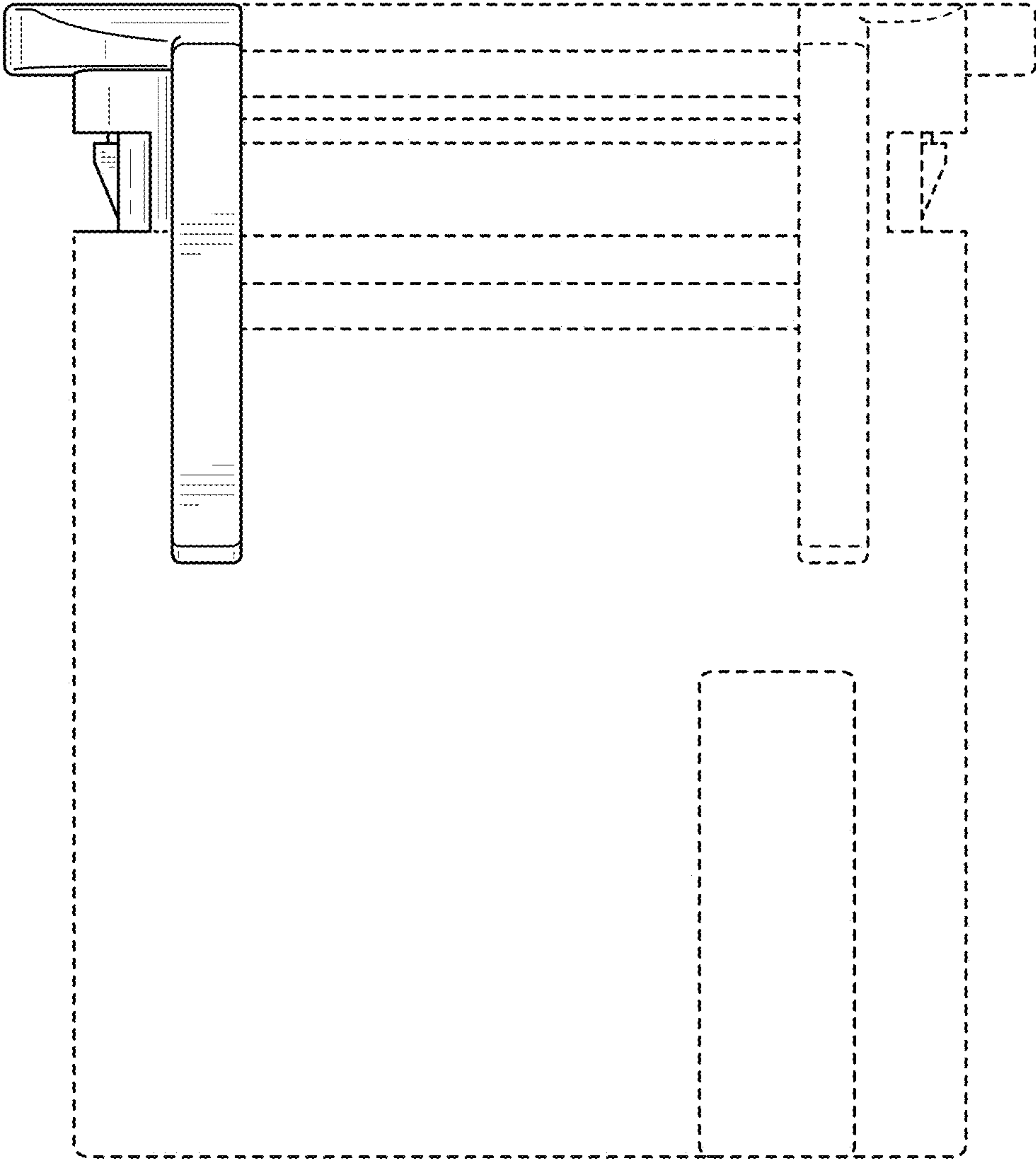


FIG. 4

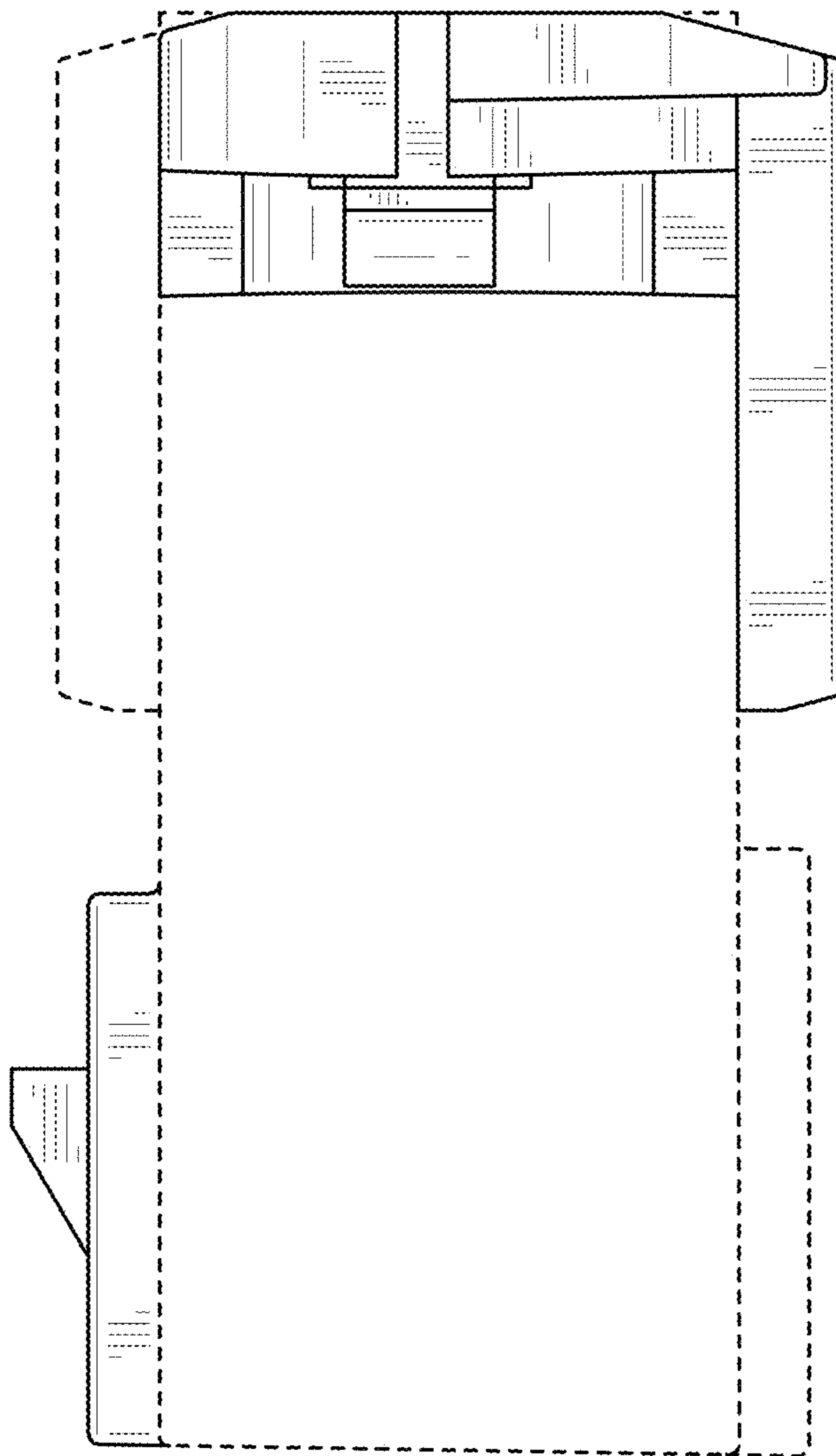


FIG. 5

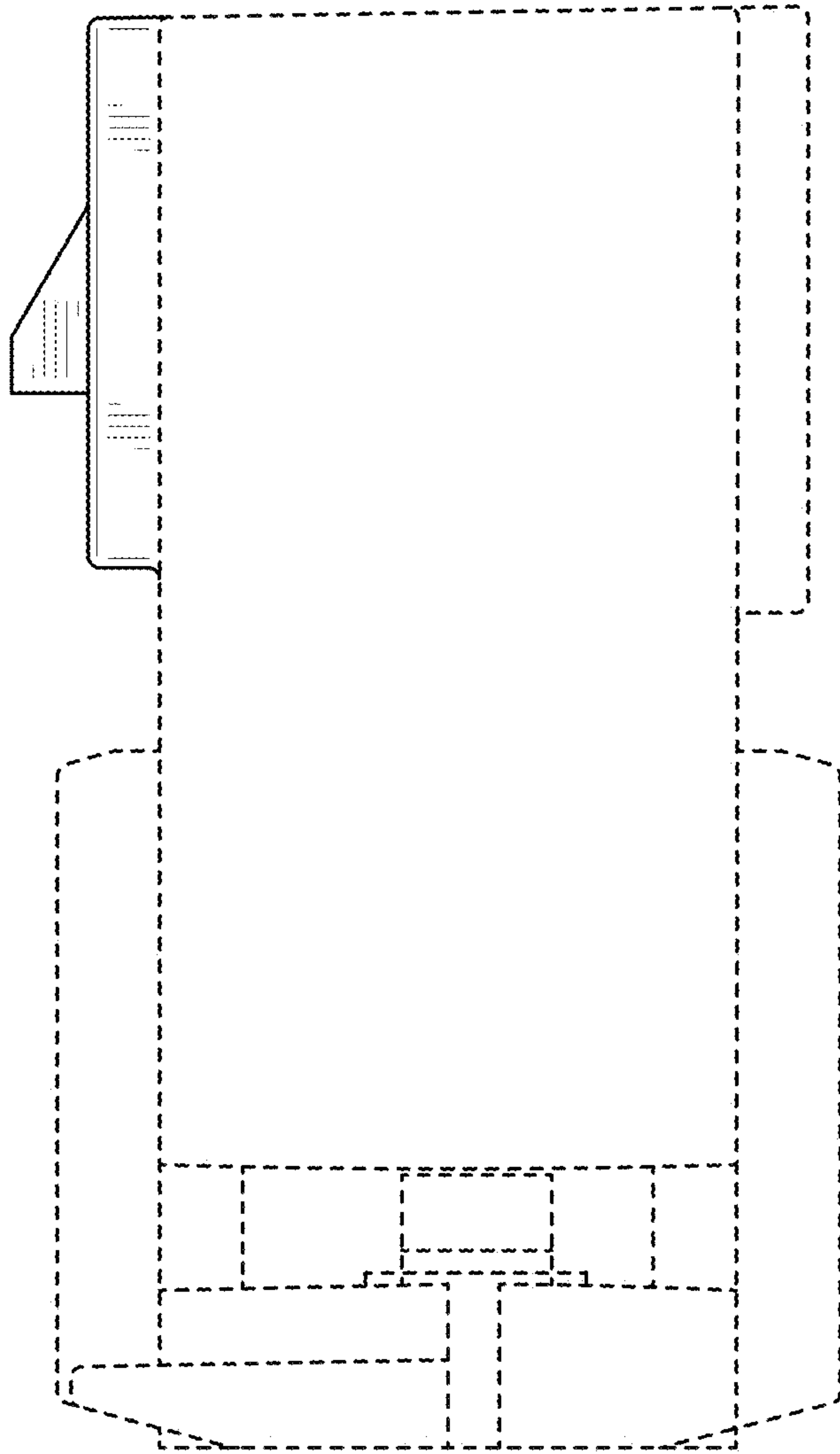


FIG. 6

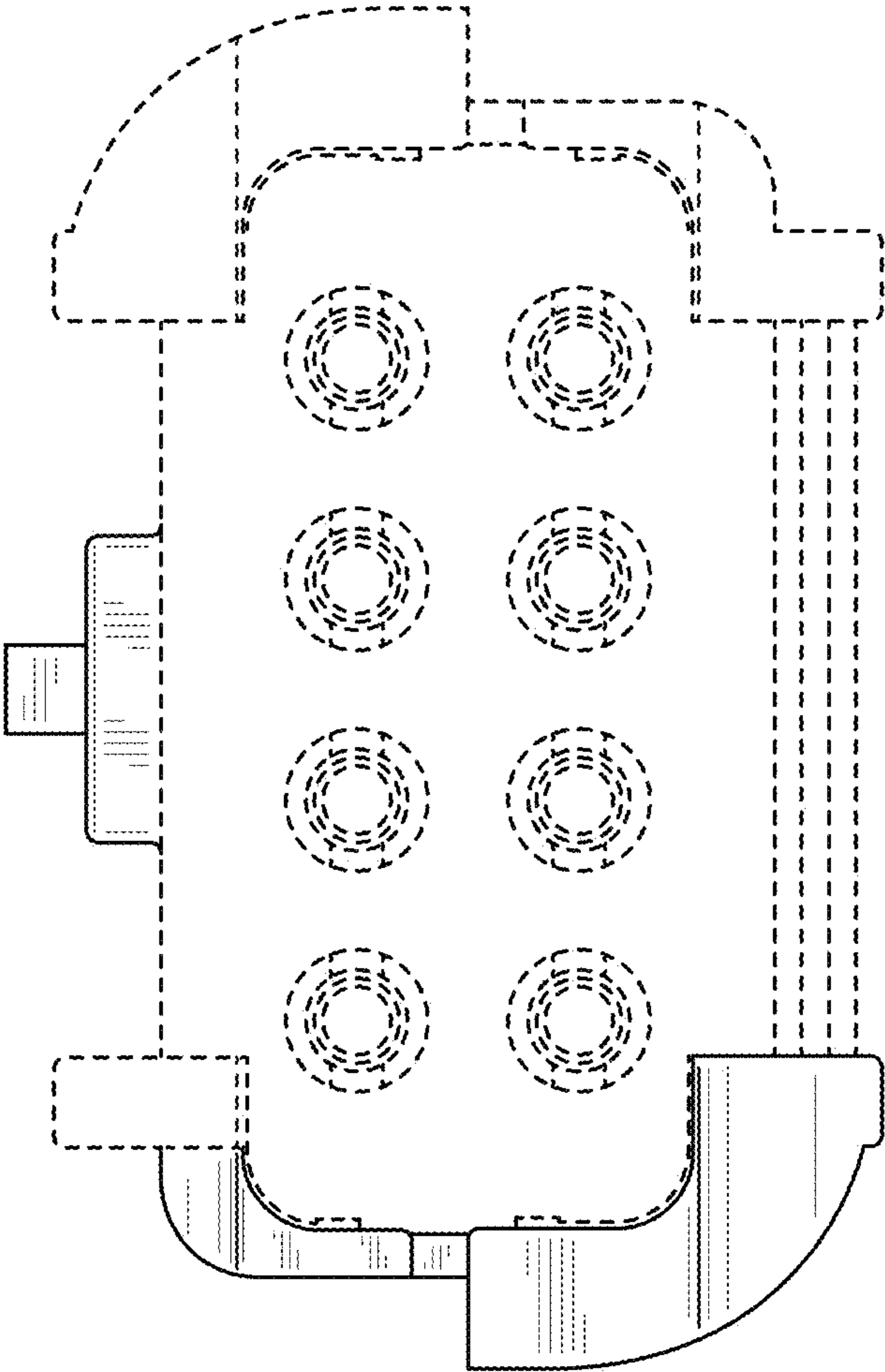


FIG. 7

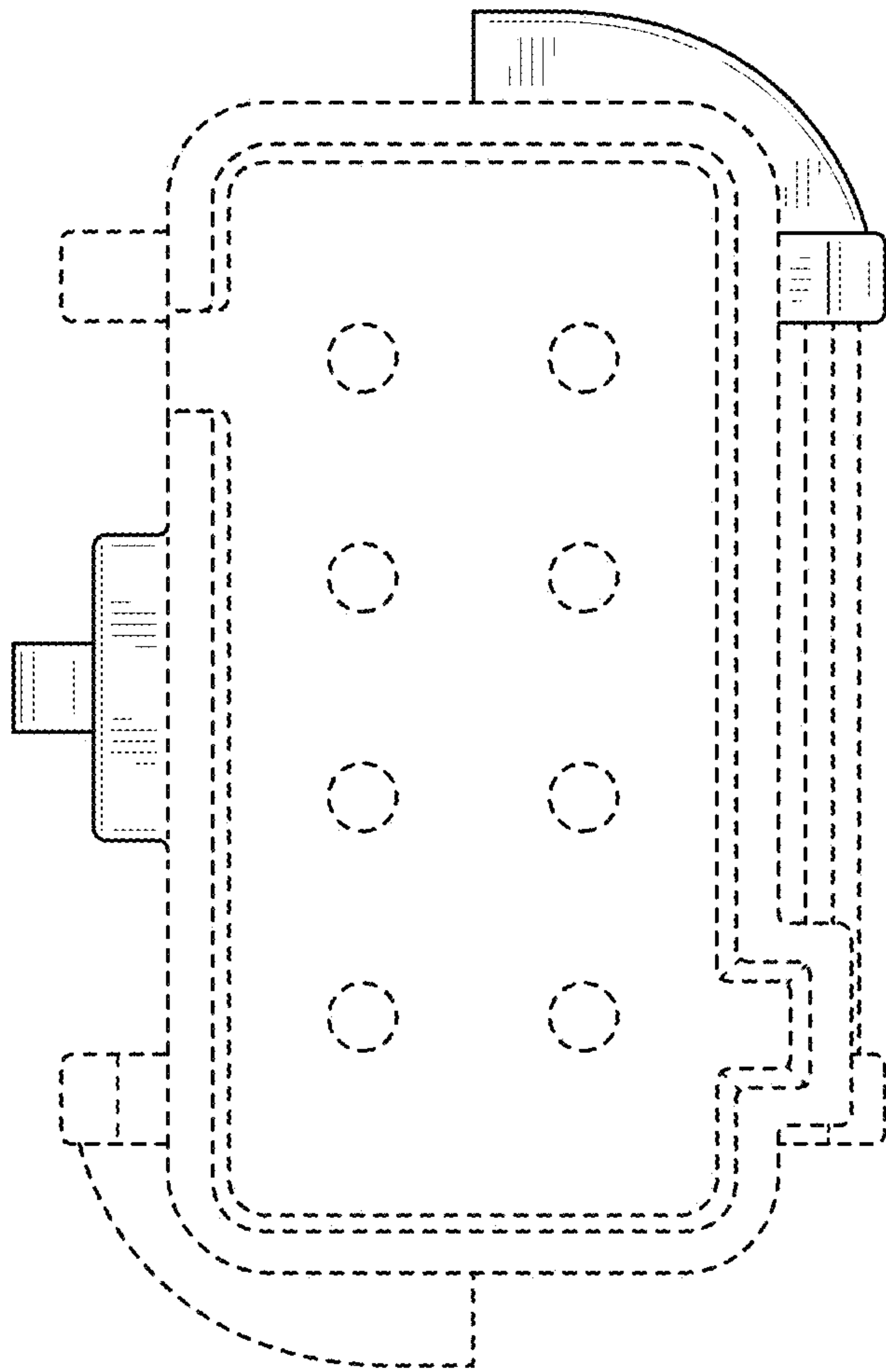


FIG. 8

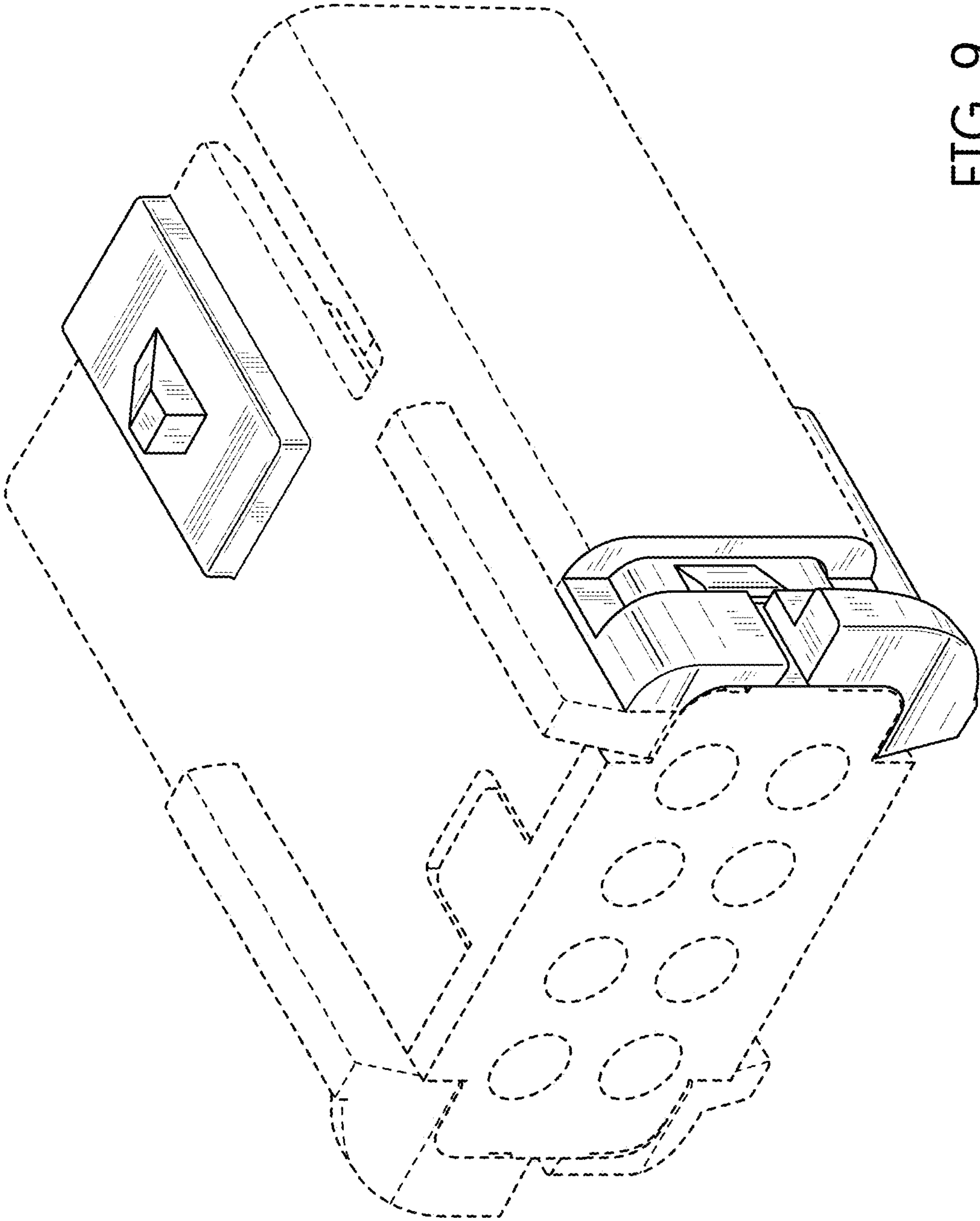


FIG. 9

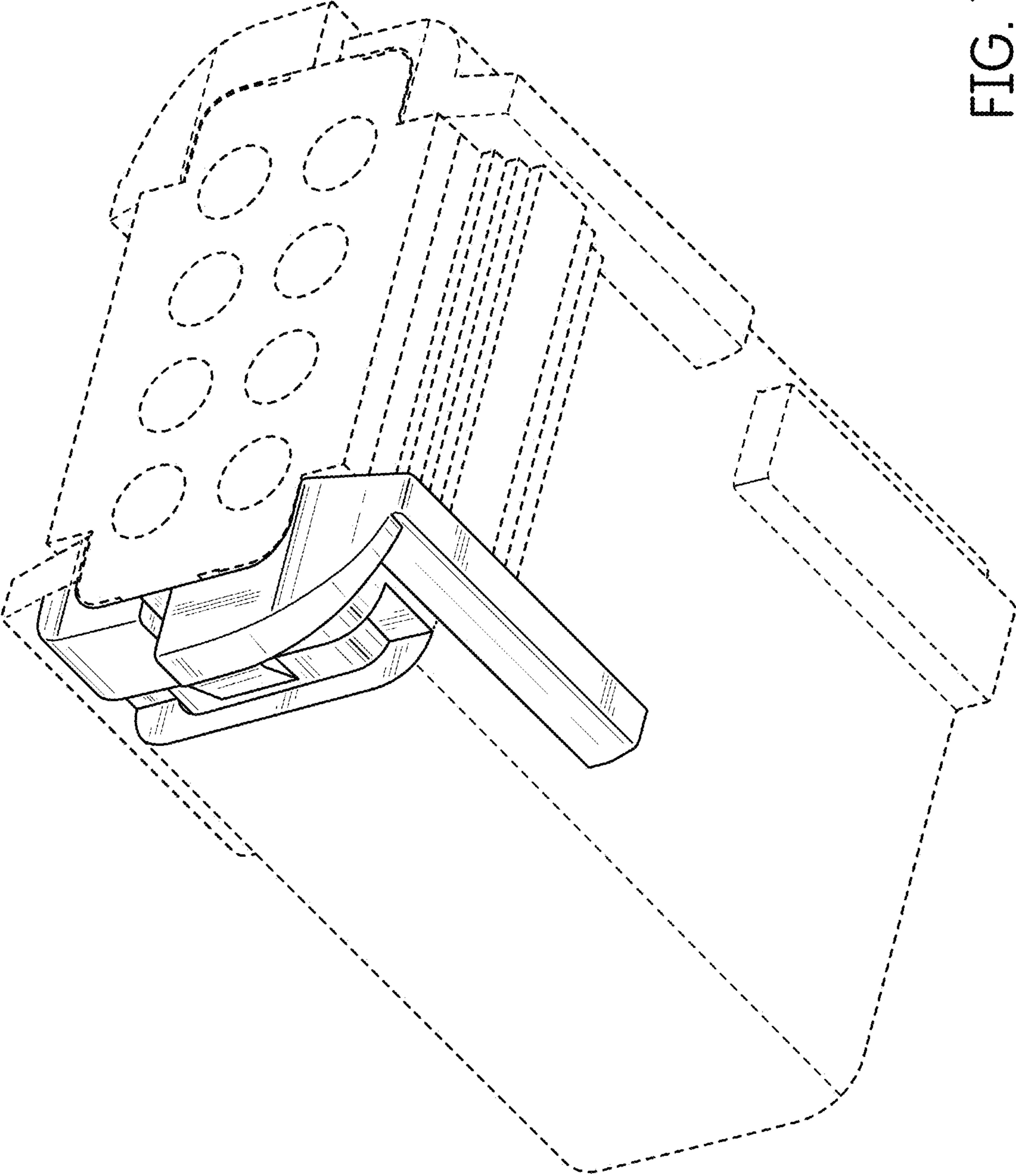


FIG. 10

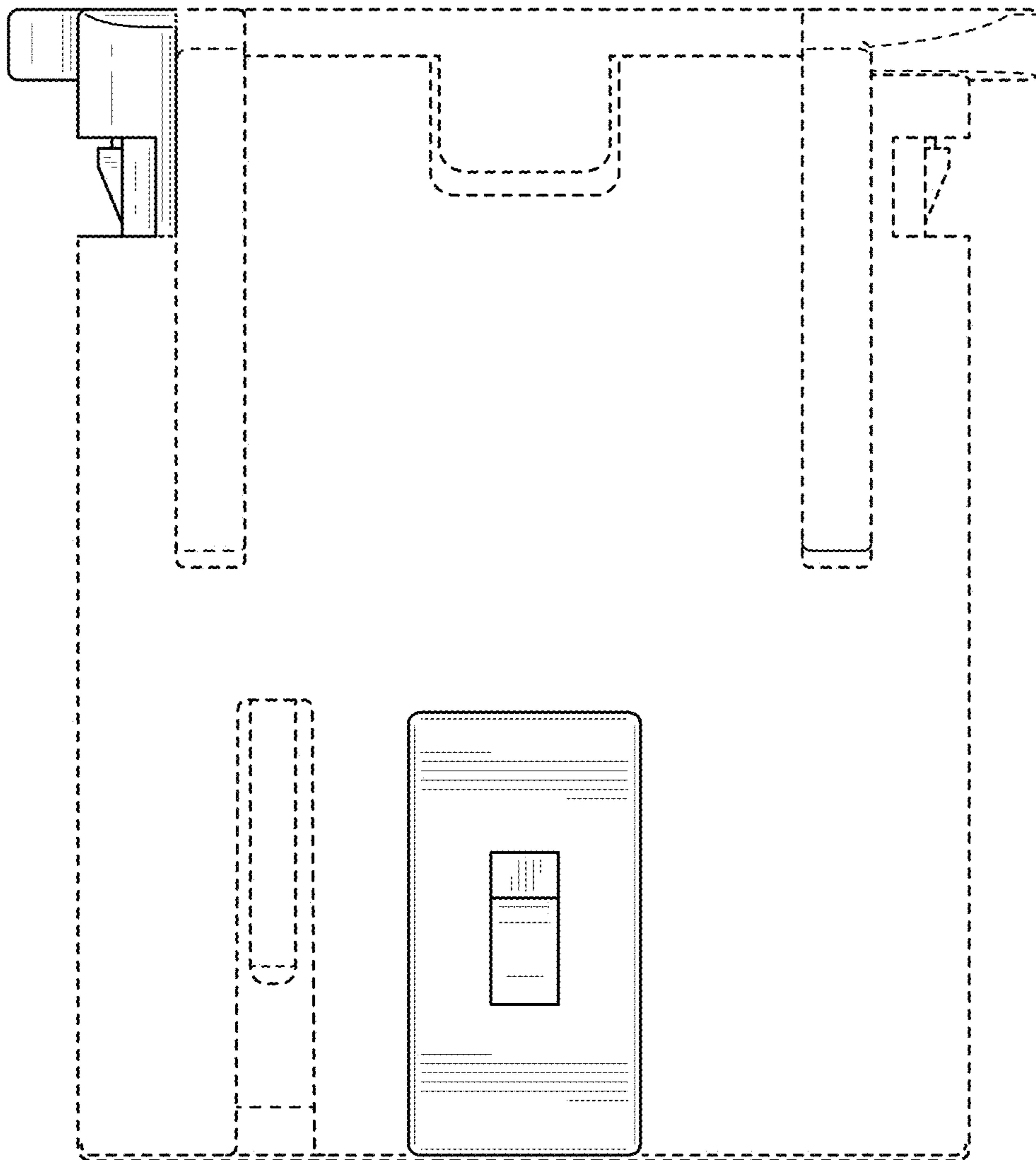


FIG. 11

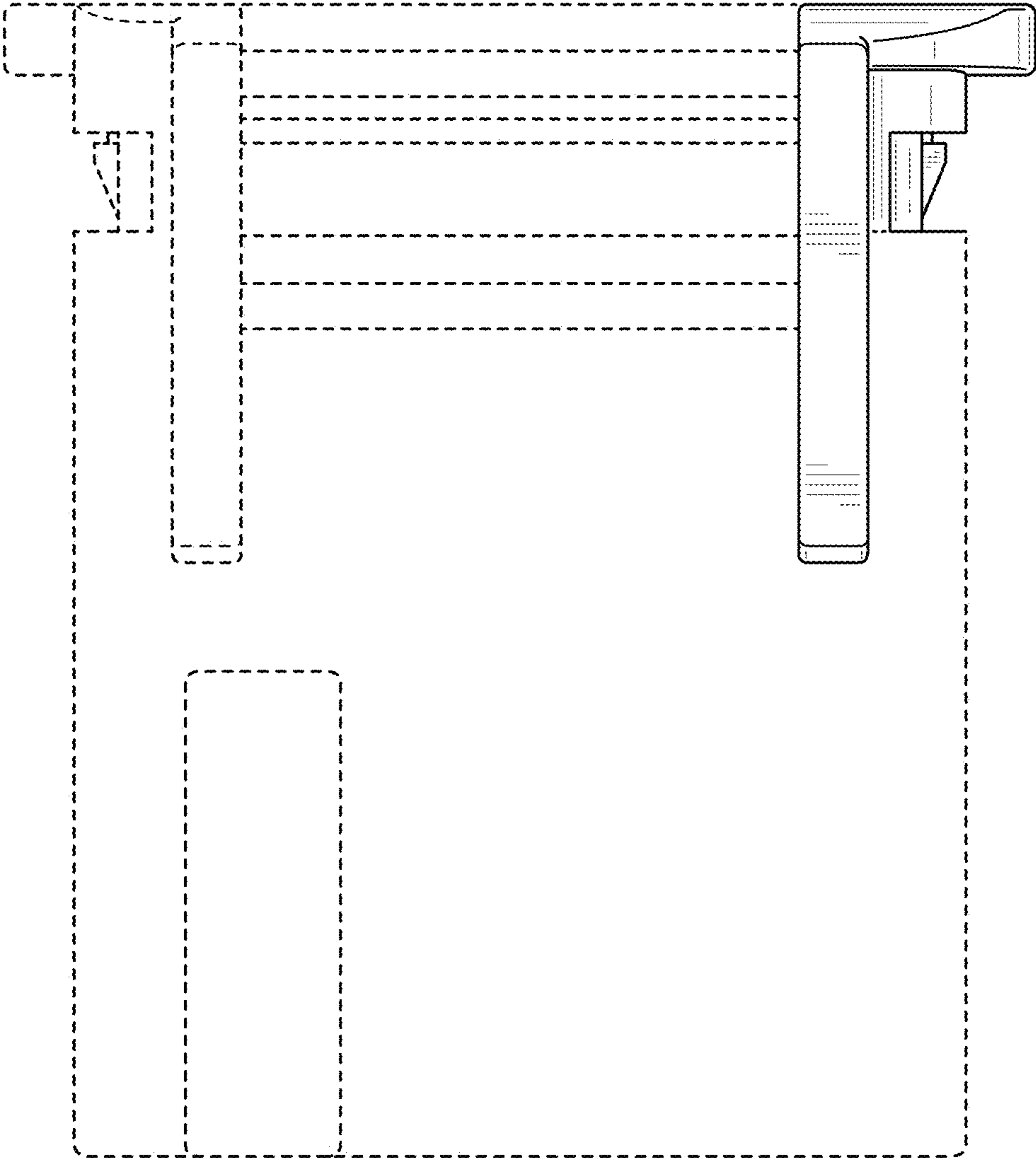


FIG. 12

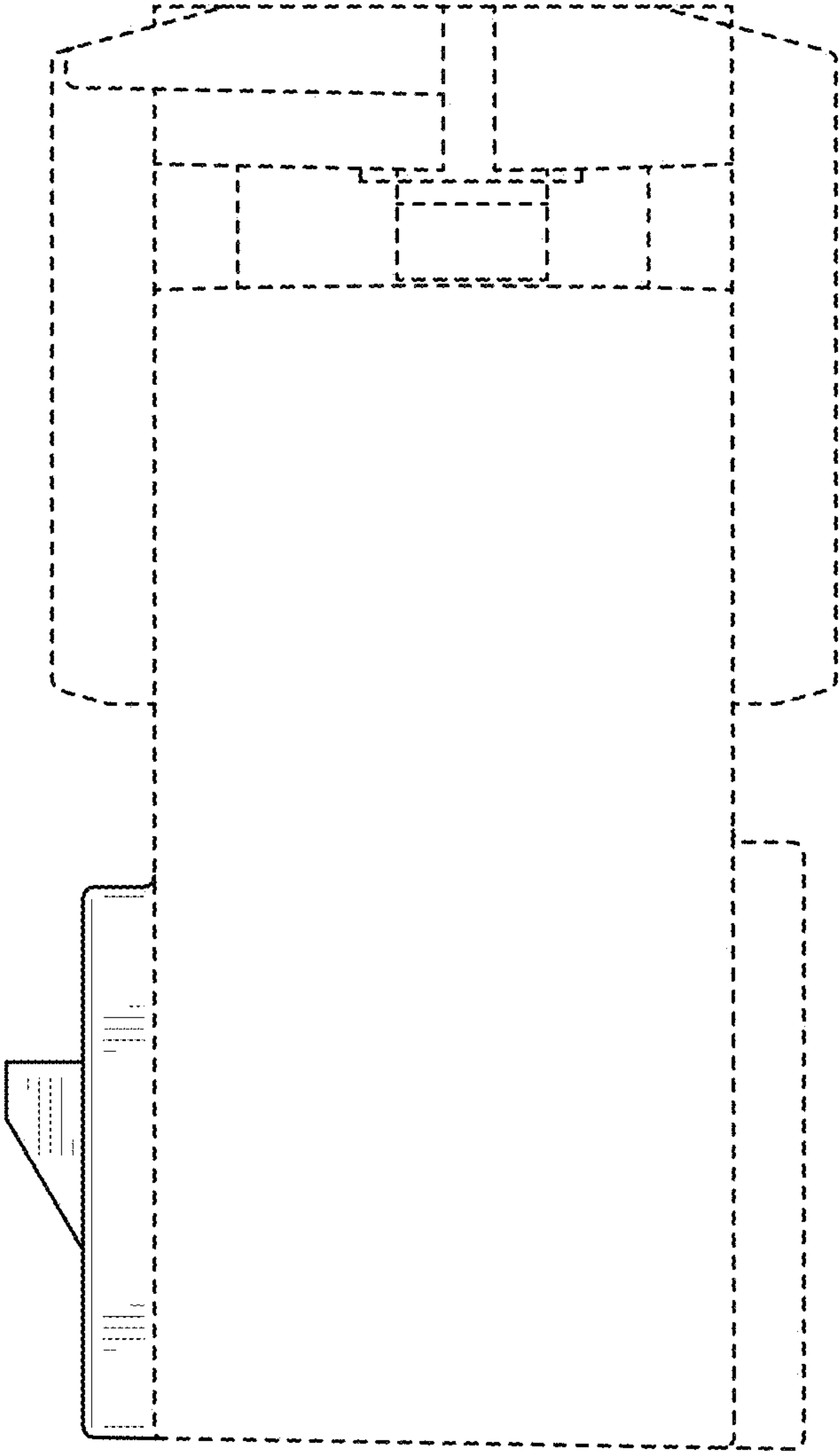


FIG. 13

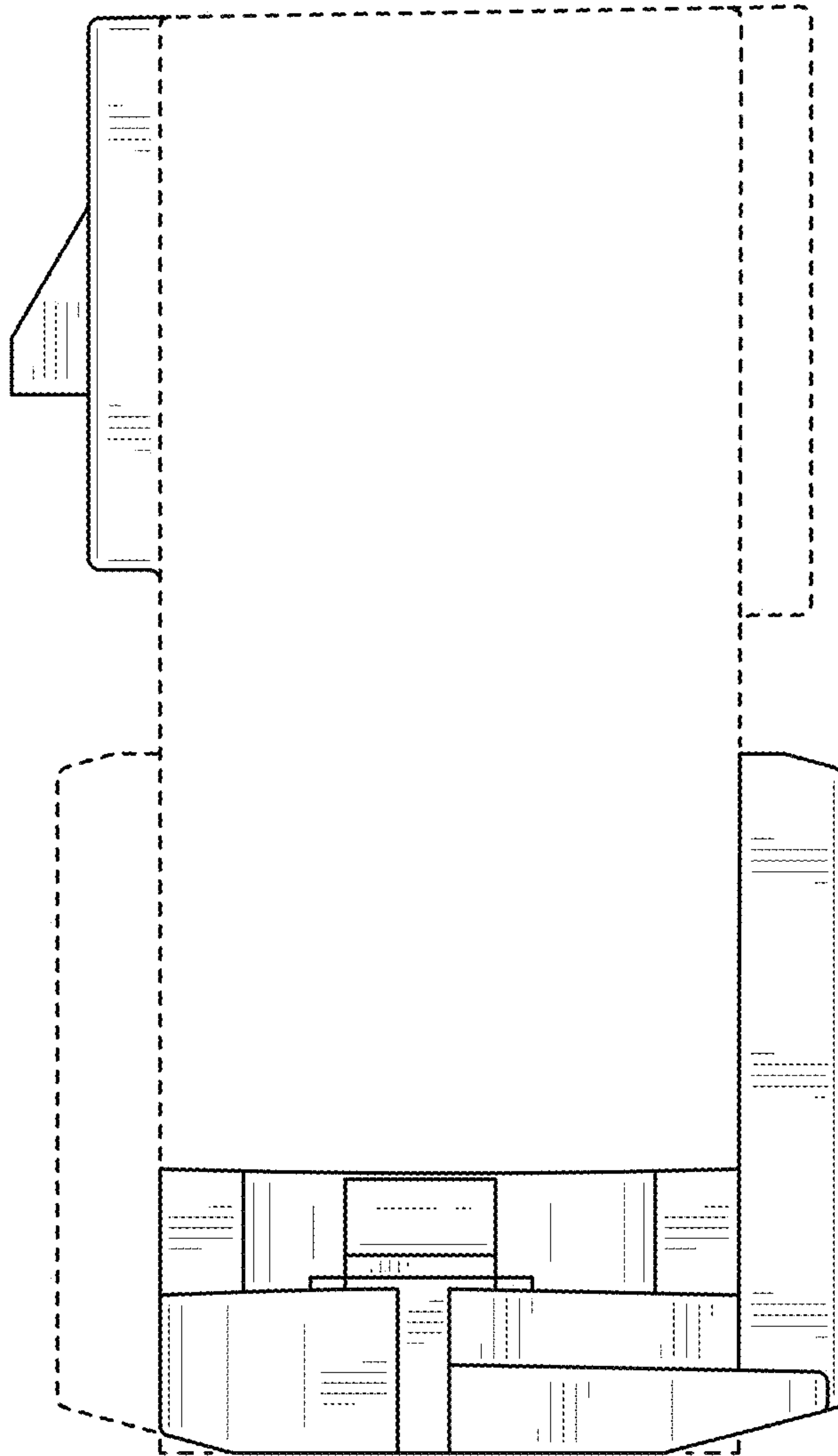


FIG. 14

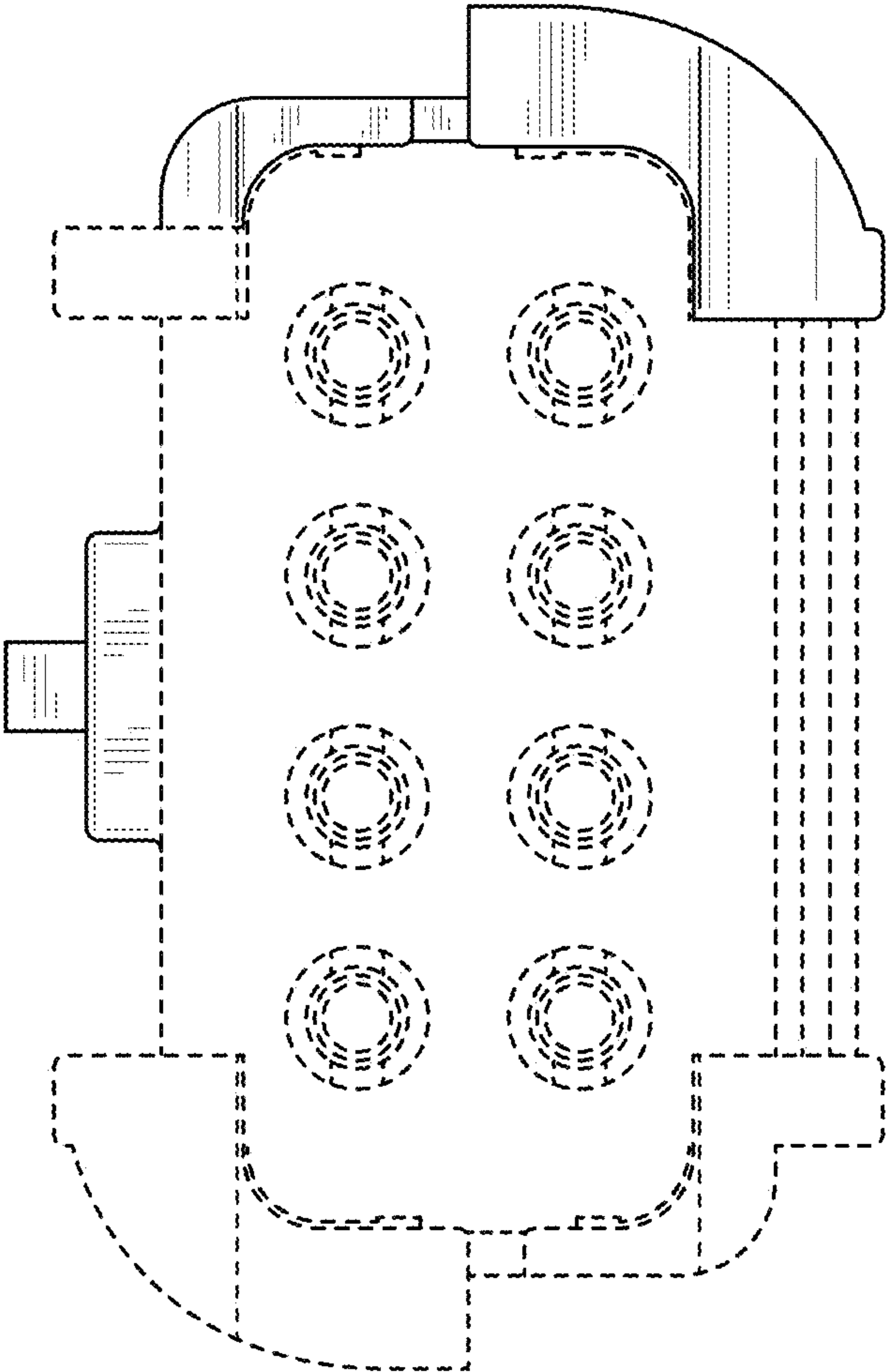


FIG. 15

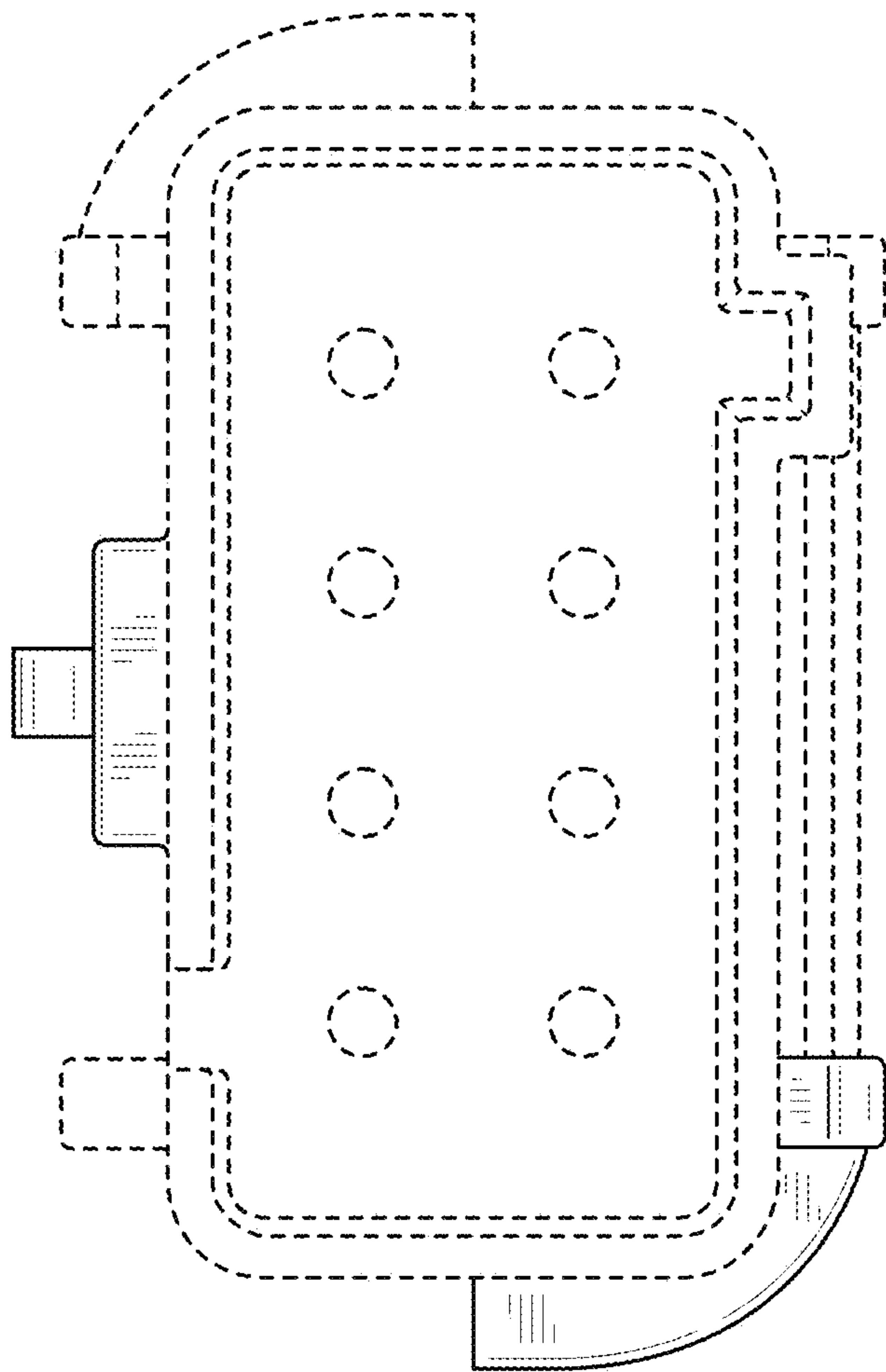


FIG. 16

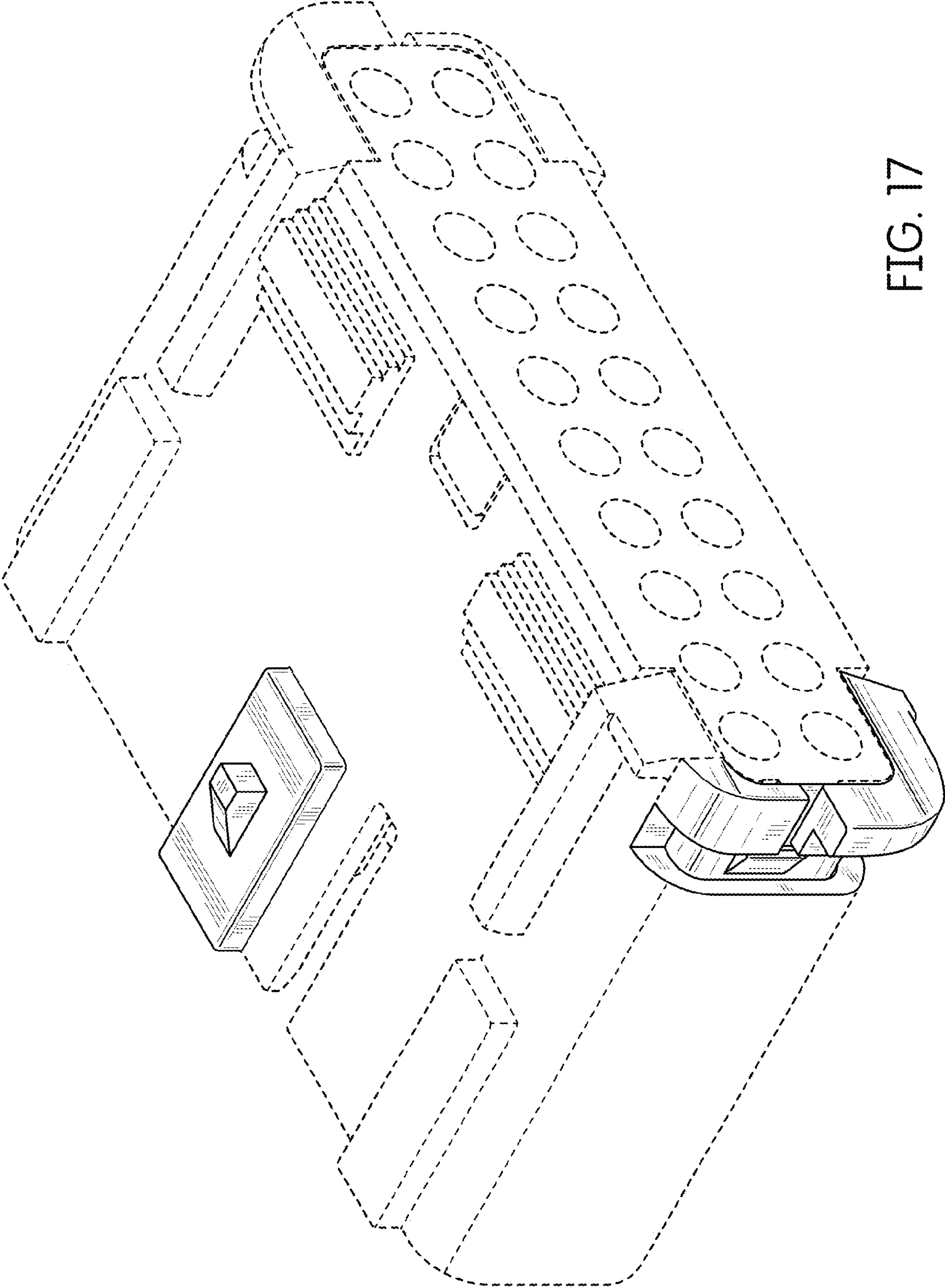


FIG. 17

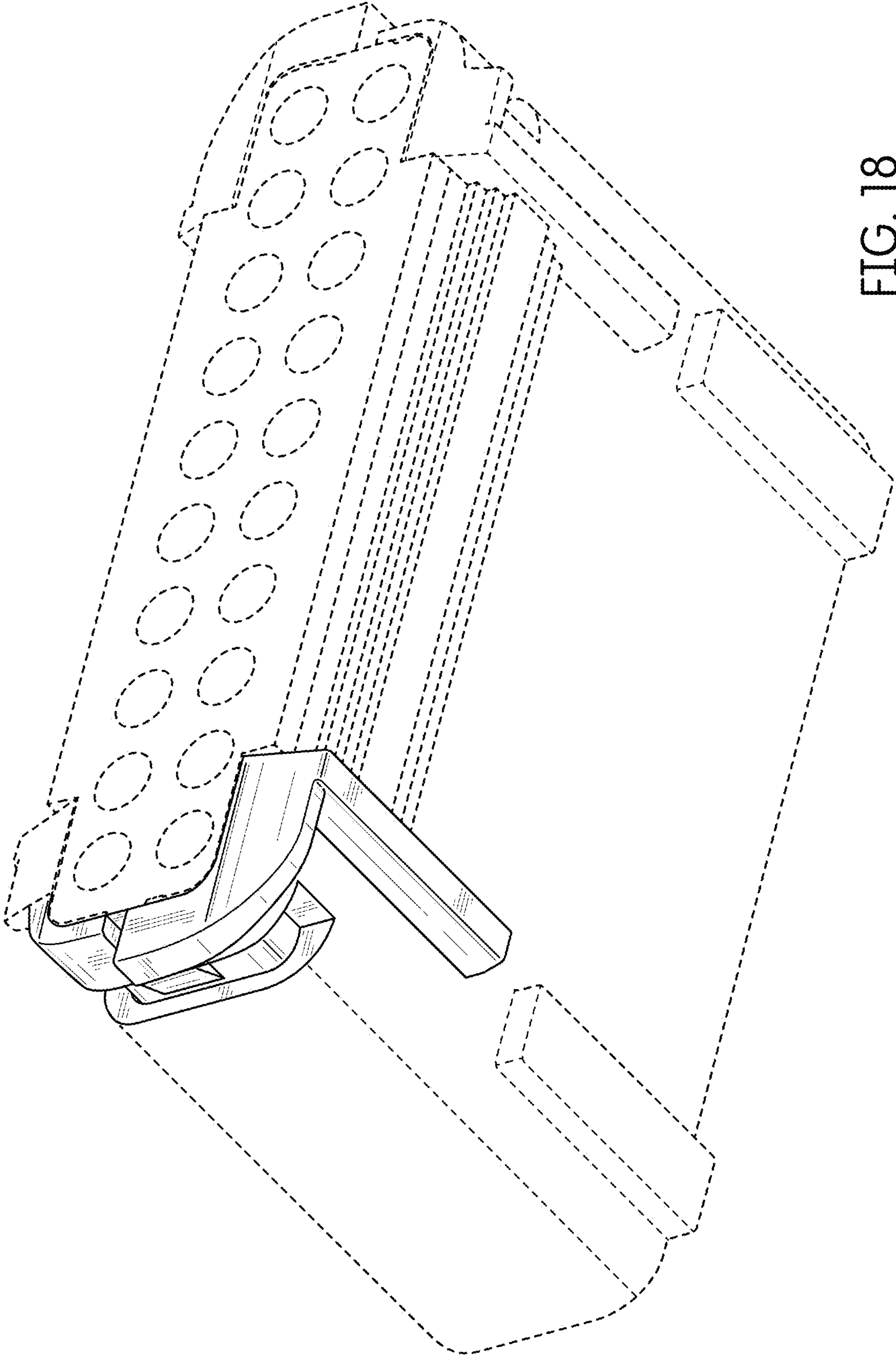


FIG. 18

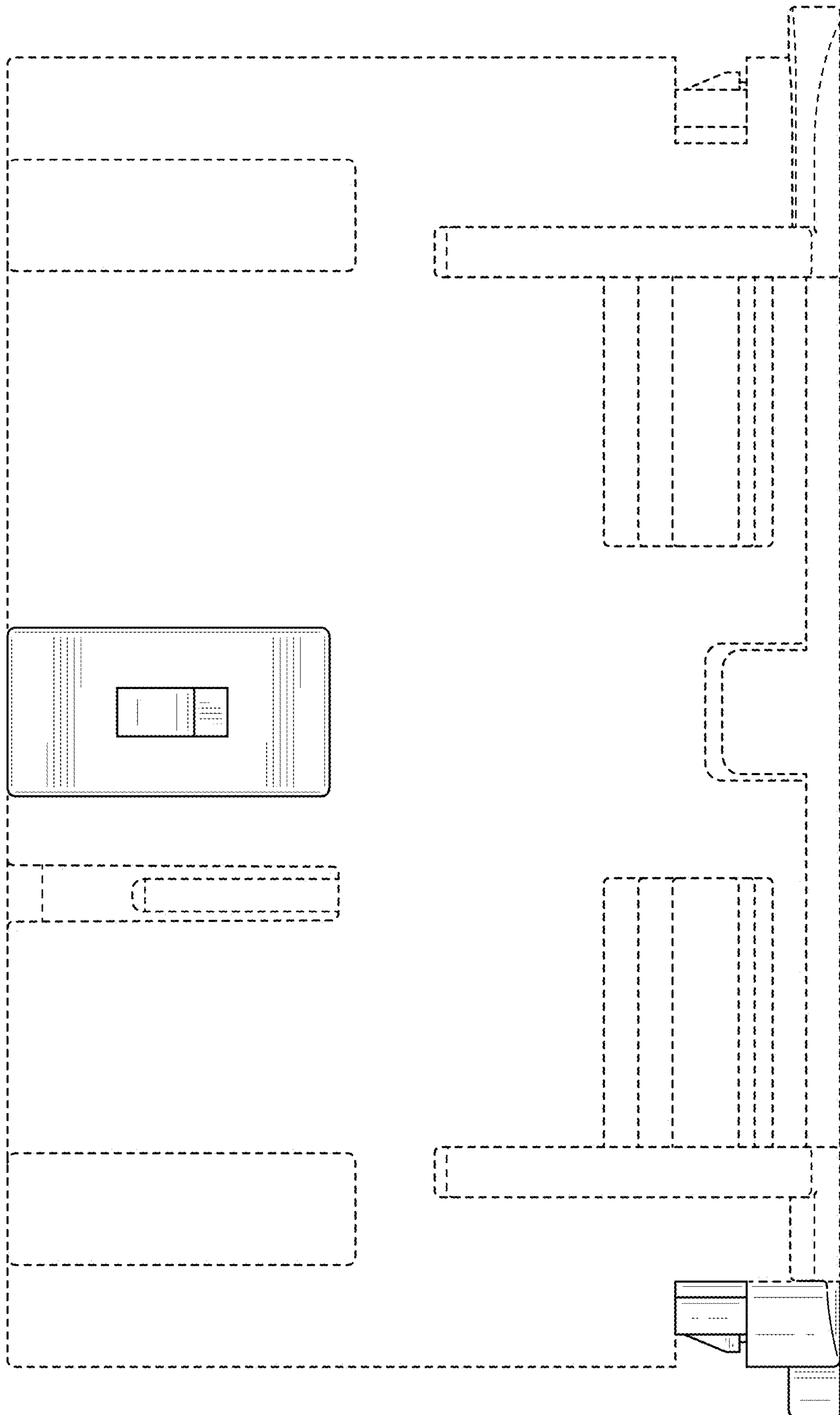


FIG. 19

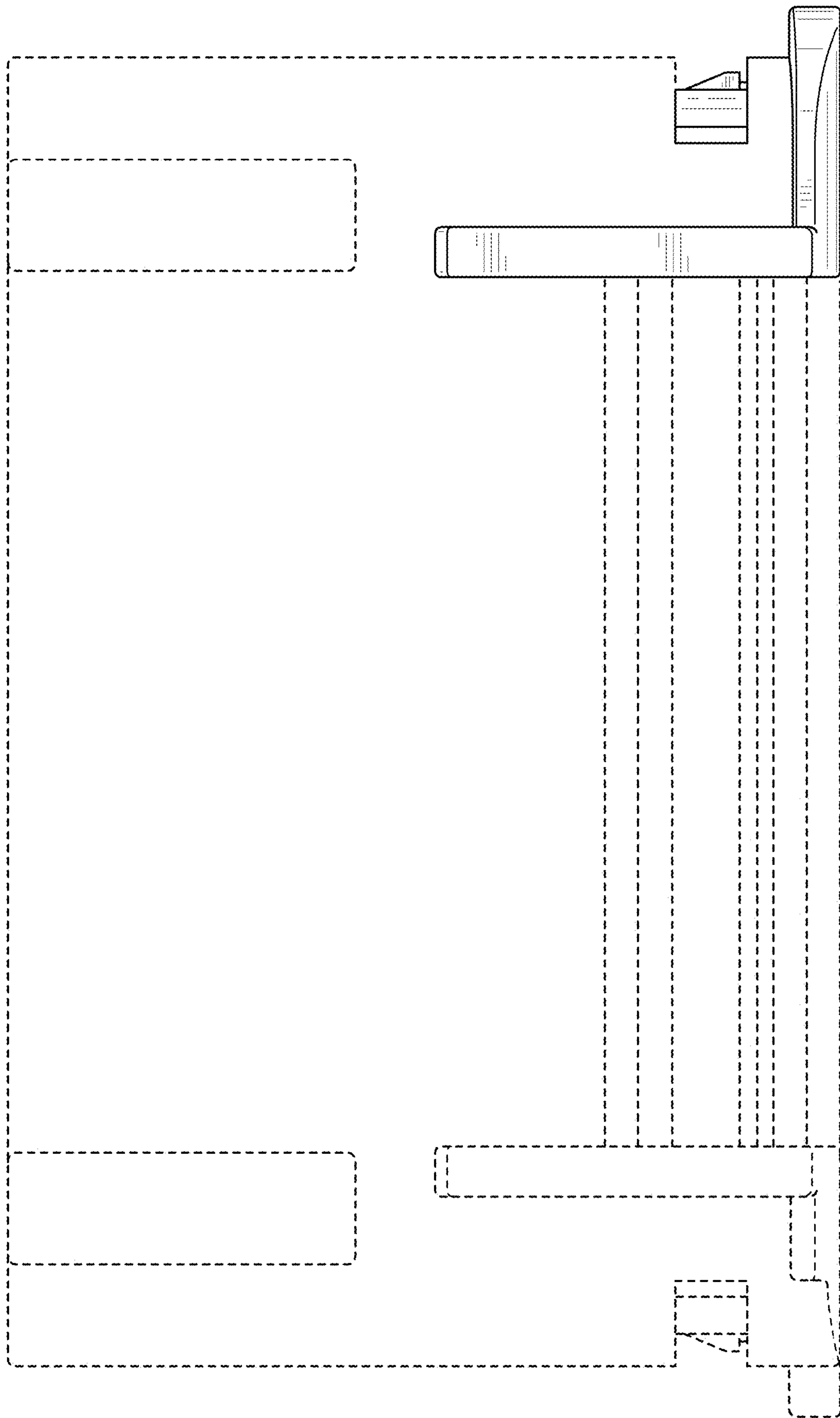


FIG. 20

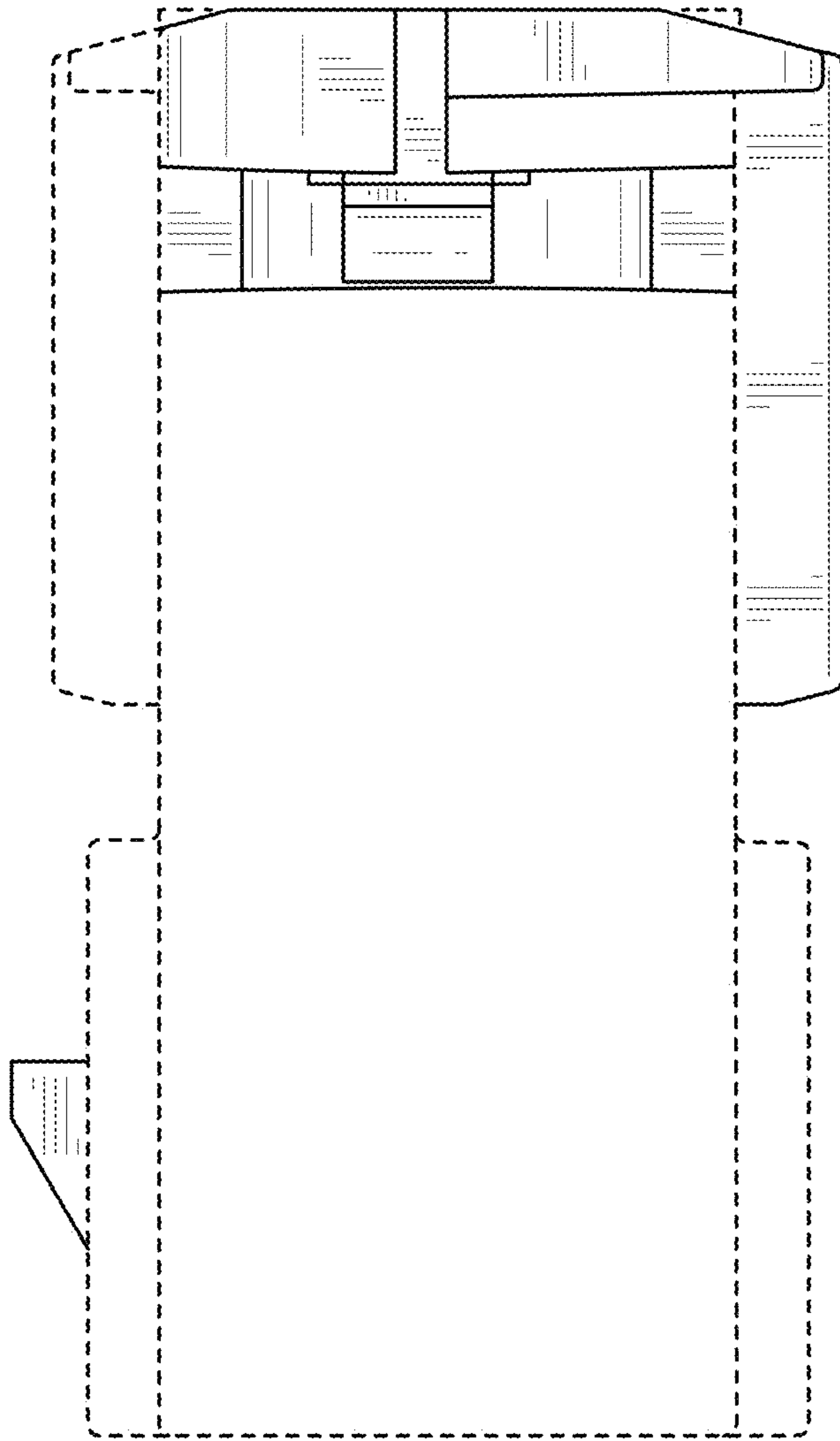


FIG. 21

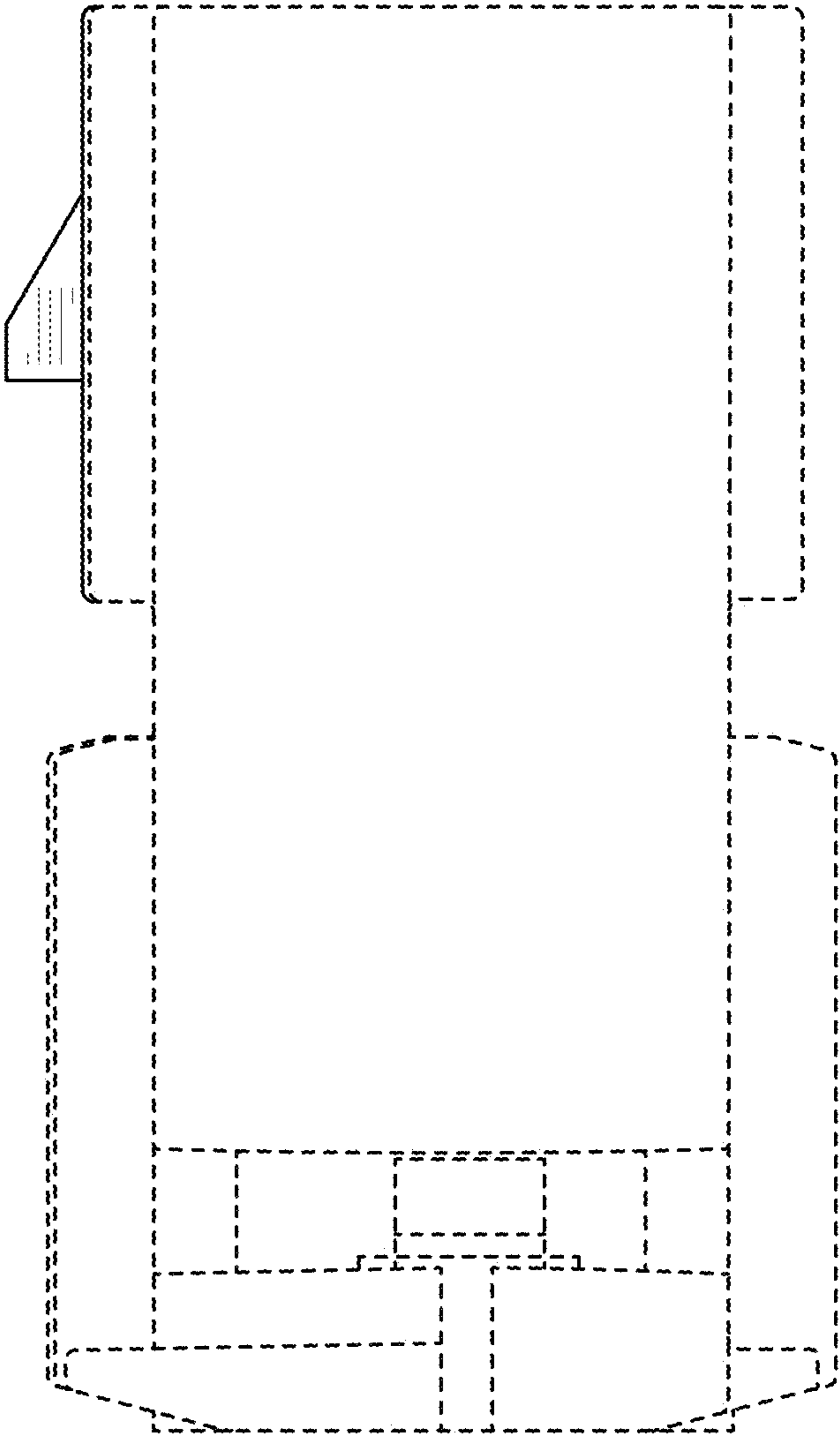


FIG. 22

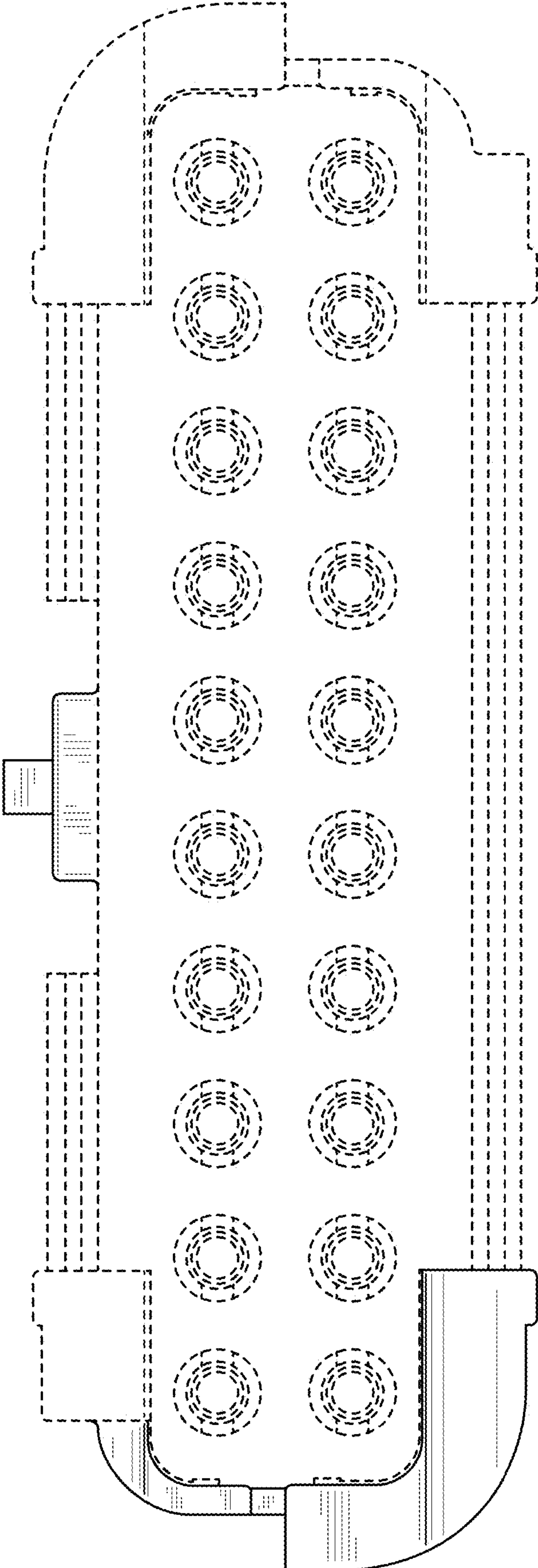


FIG. 23

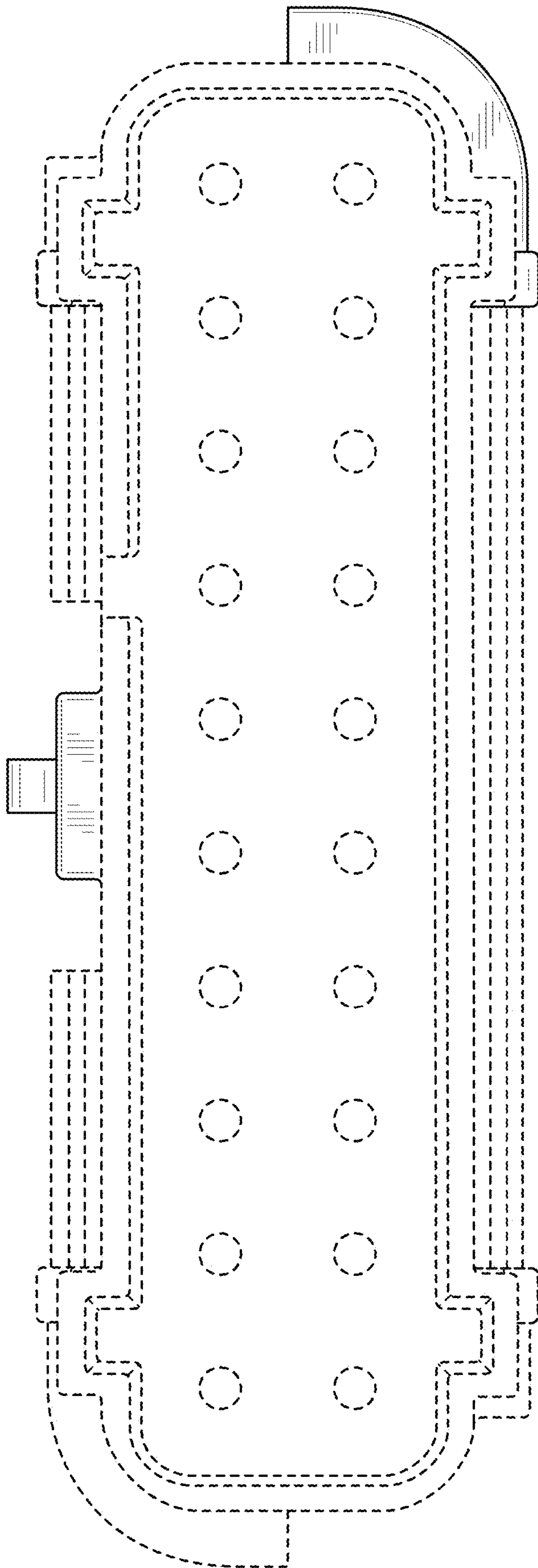


FIG. 24

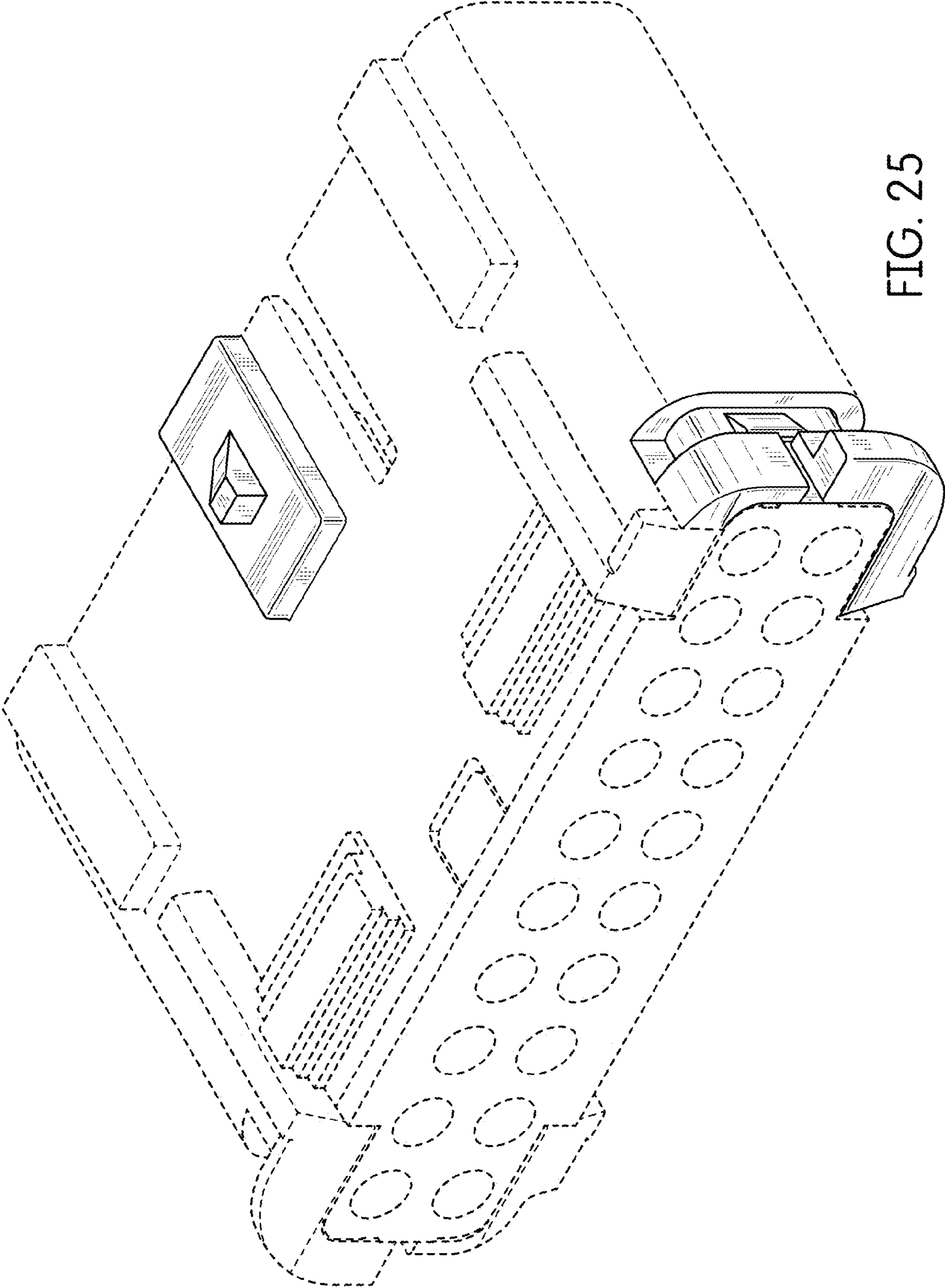


FIG. 25

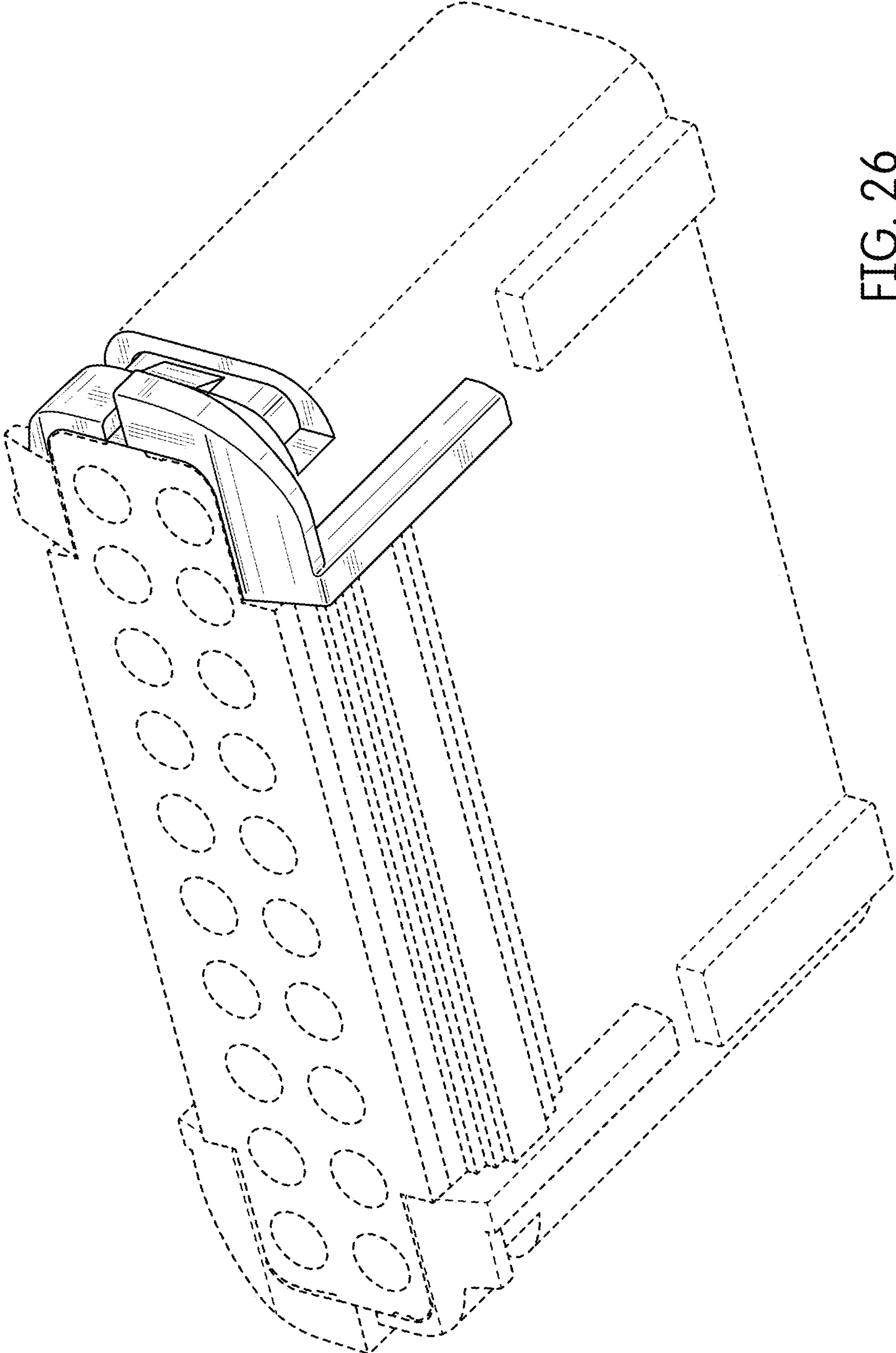


FIG. 26

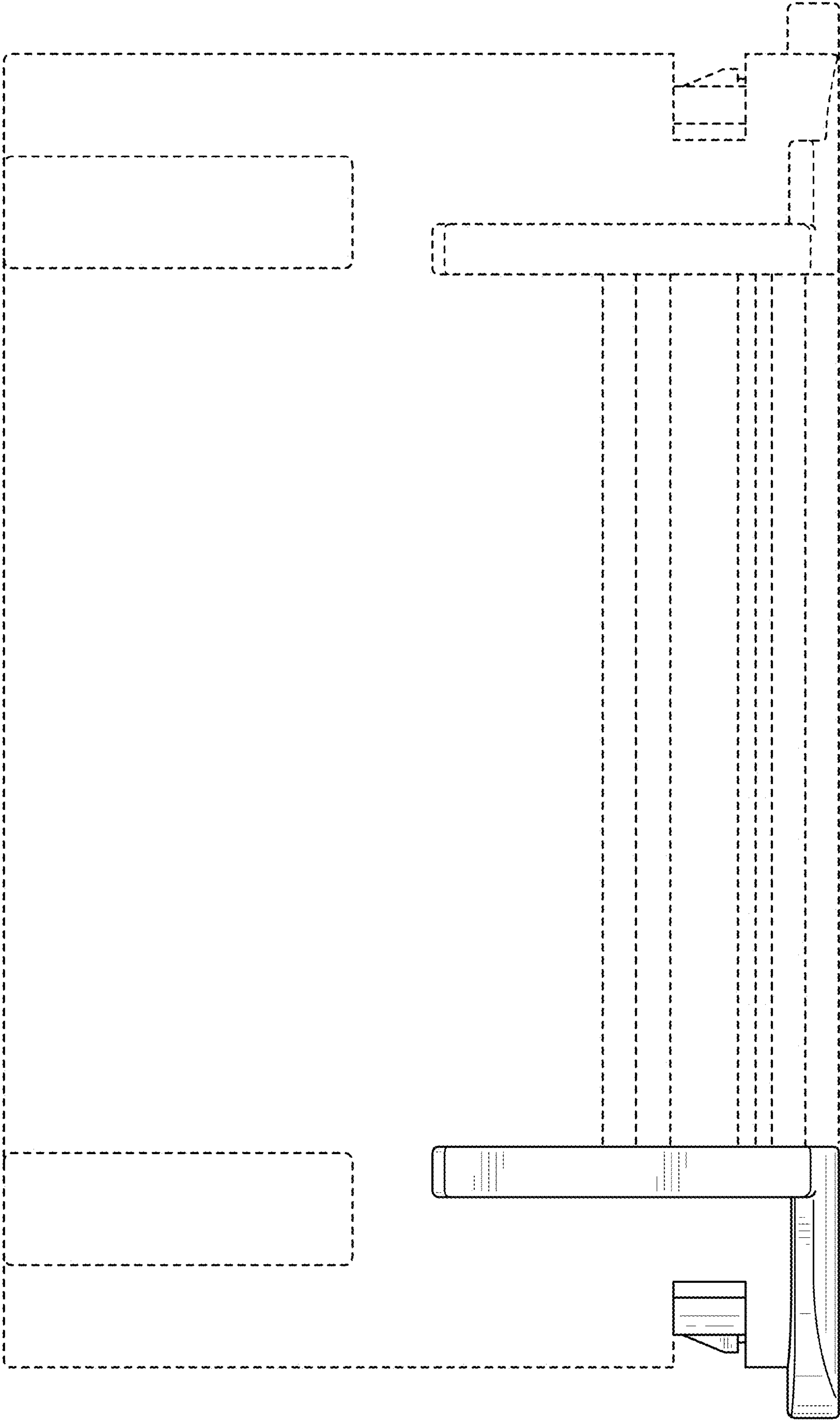


FIG. 28

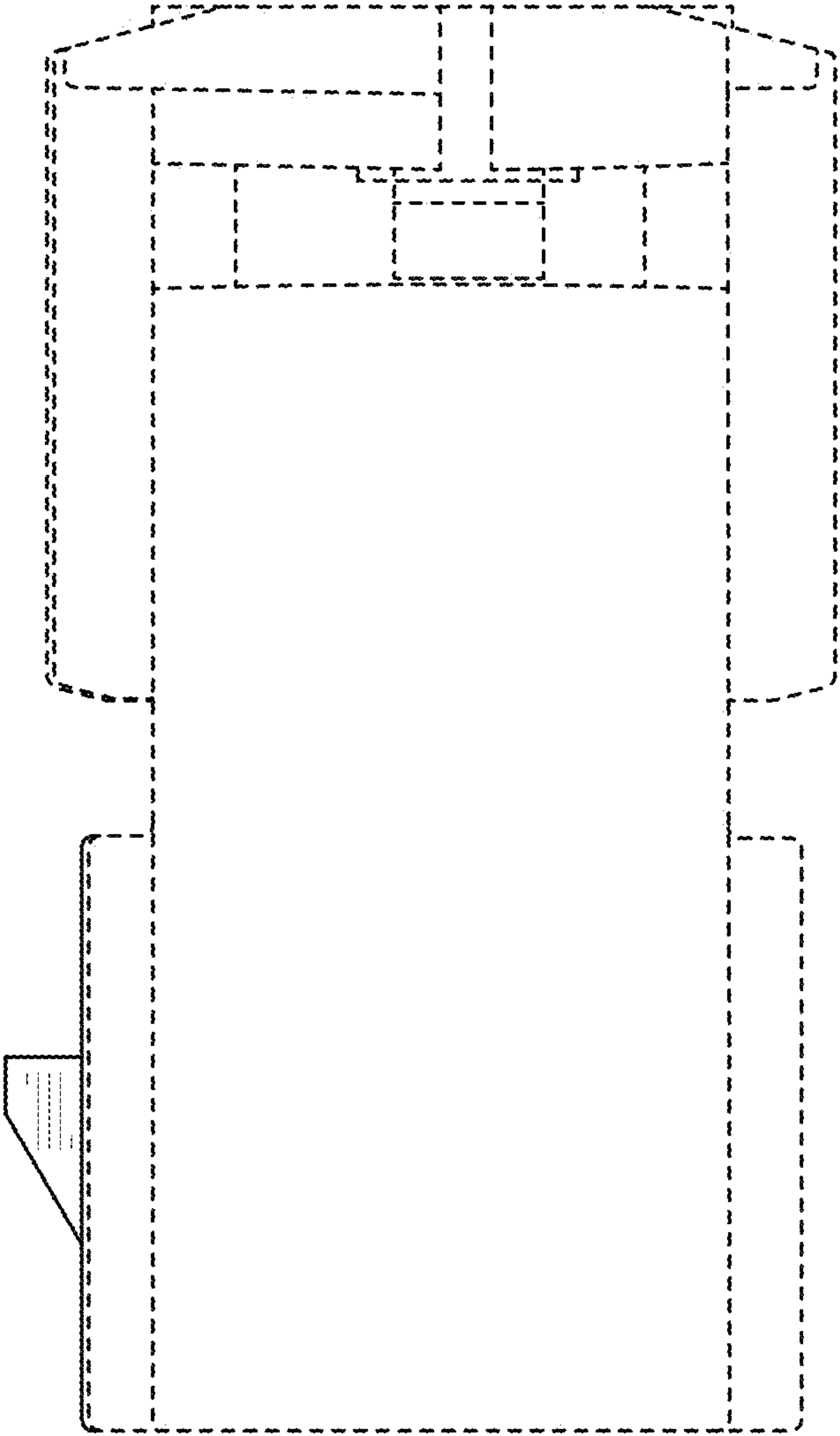


FIG. 29

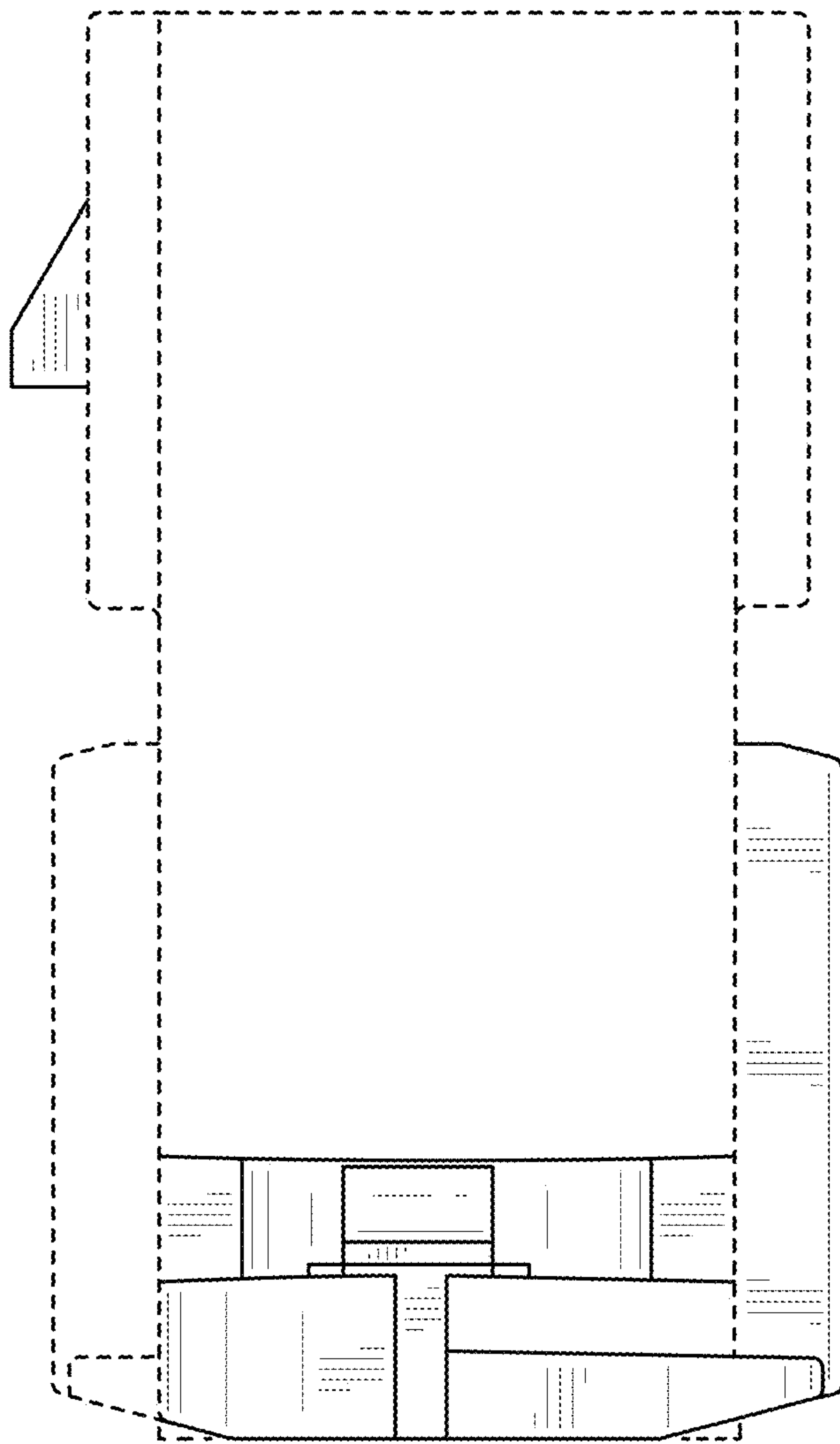


FIG. 30

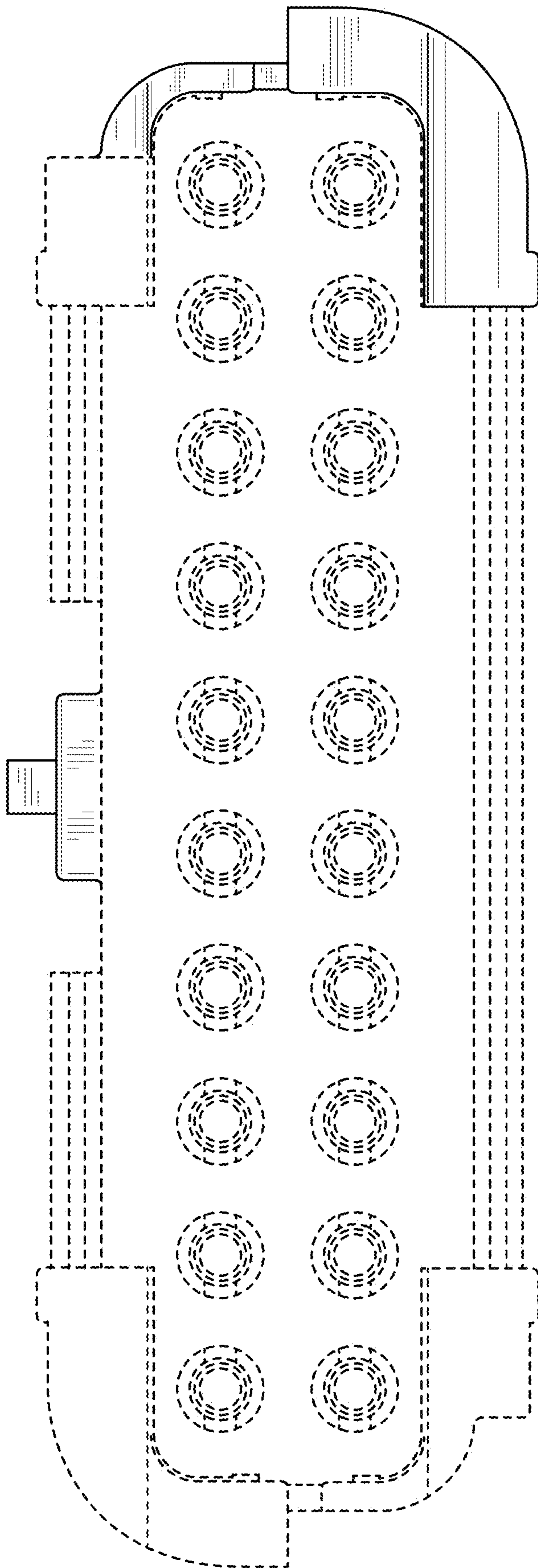


FIG. 31

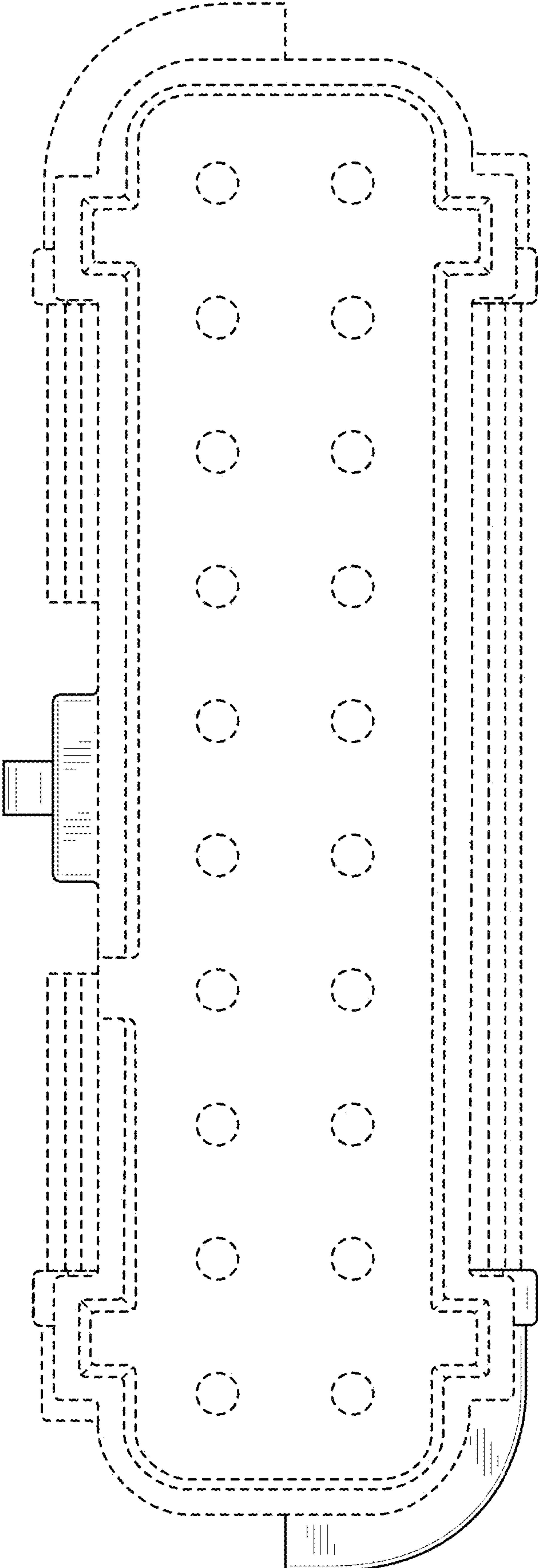


FIG. 32