



US00D901391S

(12) **United States Design Patent**
Casillas Enriquez et al.

(10) **Patent No.:** **US D901,391 S**
(45) **Date of Patent:** **** Nov. 10, 2020**

(54) **DISTRIBUTION HOUSING**

- (71) Applicant: **North American Interconnect LLC**,
Scottsdale, AZ (US)
- (72) Inventors: **Ivan Alejandro Casillas Enriquez**,
Hermosillo (MX); **Kain Haamed Hali**
Abdala Mendez, Hermosillo (MX);
Jose Alfredo Castillo Esquer,
Hermosillo (MX); **Felix Eugenio**
Norzagaray Mora, Hermosillo (MX)
- (73) Assignee: **North American Interconnect L.L.C.**,
Scottsdale, AZ (US)

- (**) Term: **15 Years**
- (21) Appl. No.: **29/680,638**
- (22) Filed: **Feb. 19, 2019**
- (51) **LOC (12) Cl.** **13-03**
- (52) **U.S. Cl.**
USPC **D13/147**
- (58) **Field of Classification Search**
USPC D13/133, 146, 154, 147, 184, 199, 151,
D13/173, 153

(Continued)

(56) **References Cited**

U.S. PATENT DOCUMENTS

- 7,489,849 B2 2/2009 Reagan et al.
- 7,627,222 B2 12/2009 Reagan et al.

(Continued)

FOREIGN PATENT DOCUMENTS

- AU 2015214352 B2 9/2018
- CN 105900295 A 8/2016

(Continued)

OTHER PUBLICATIONS

English language abstract for CN 105900295 extracted from espacenet.com database on Jul. 25, 2019, 2 pages.

(Continued)

Primary Examiner — Karen E Kearney
Assistant Examiner — Michael Chong
(74) *Attorney, Agent, or Firm* — Howard & Howard
Attorneys PLLC

(57) **CLAIM**

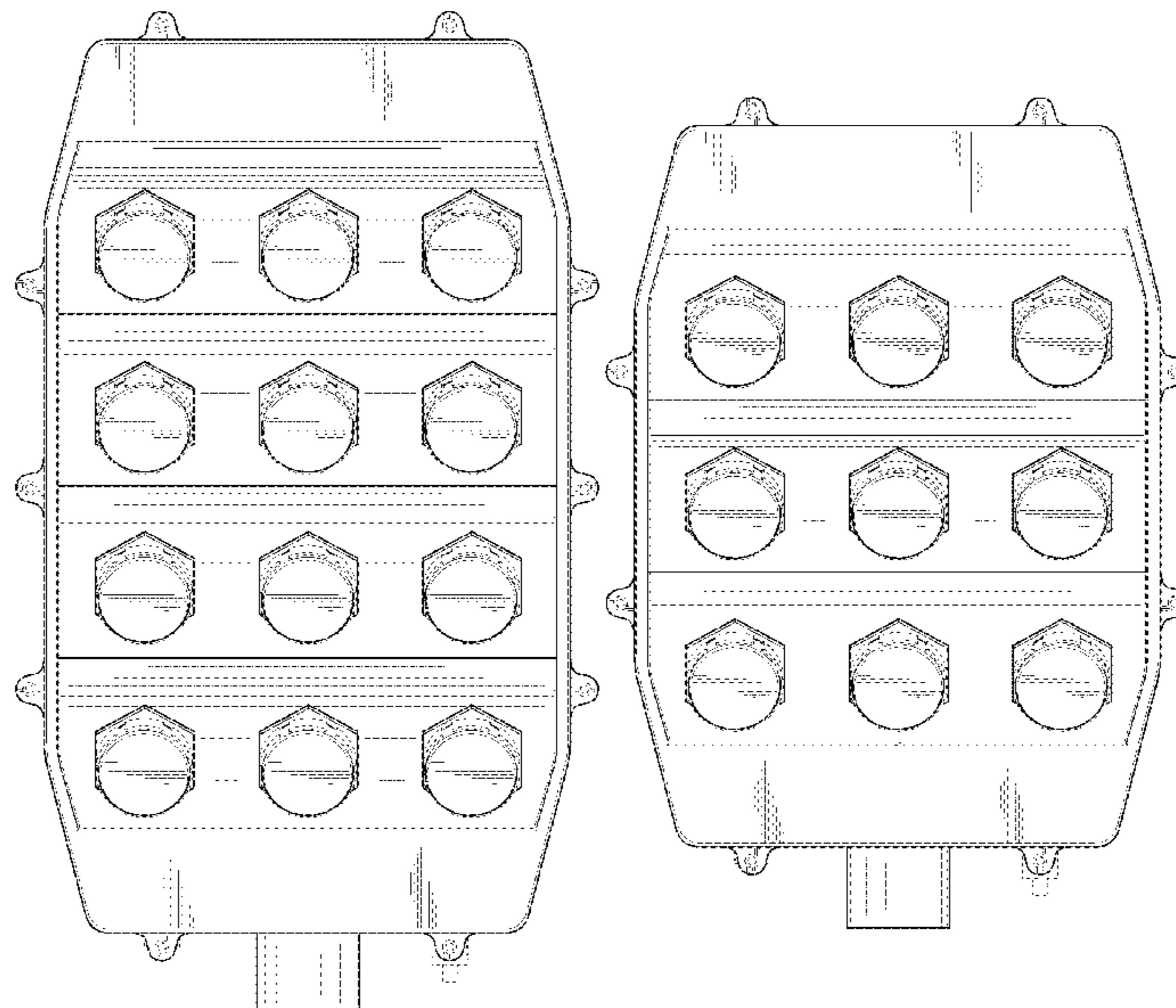
An ornamental design for a distribution housing, as shown and described.

DESCRIPTION

FIG. 1 is a front view of a first embodiment of a distribution housing;
 FIG. 2 is a right side view of the distribution housing of FIG. 1;
 FIG. 3 is a left side view of the distribution housing of FIG. 1;
 FIG. 4 is a rear view of the distribution housing of FIG. 1;
 FIG. 5 is a top view of the distribution housing of FIG. 1;
 FIG. 6 is a bottom view of the distribution housing of FIG. 1;
 FIG. 7 is a front view of another embodiment of the distribution housing;
 FIG. 8 is a right side view of the distribution housing of FIG. 7;
 FIG. 9 is a left side view of the distribution housing of FIG. 7;
 FIG. 10 is a rear view of the distribution housing of FIG. 7;
 FIG. 11 is a top view of the distribution housing of FIG. 7;
 and,
 FIG. 12 is a bottom view of the distribution housing of FIG. 7.

The elements shown in phantom, which are depicted as dash-dash-dash lines, are for illustrative purposes only and do not form part of the claimed design.

1 Claim, 8 Drawing Sheets



US D901,391 S

Page 2

(58) **Field of Classification Search**
CPC H02G 3/18; H02G 3/088; H02G 9/02;
H02G 3/0493; H02B 6/4416
See application file for complete search history.

10,292,206 B2 5/2019 Khemakhem et al.
D876,364 S * 2/2020 Wang D13/147
D876,367 S * 2/2020 Wang D13/147
2008/0138025 A1 6/2008 Reagan et al.
2009/0148420 A1 6/2009 Cool et al.
2017/0141563 A1* 5/2017 Islam G02B 6/4416
2019/0041595 A1 2/2019 Reagan et al.

(56) **References Cited**

U.S. PATENT DOCUMENTS

7,805,044 B2 * 9/2010 Reagan G02B 6/4441
385/135
7,844,158 B2 * 11/2010 Gronvall G02B 6/4471
385/135
9,078,287 B2 7/2015 Khemakhem et al.
9,553,669 B2 1/2017 Khemakhem et al.
9,606,320 B2 3/2017 Wang
9,742,176 B2 * 8/2017 Wang H02G 9/02
9,851,522 B2 12/2017 Reagan et al.
9,857,537 B2 1/2018 Wang
9,888,524 B2 2/2018 Khemakhem et al.
D825,471 S * 8/2018 Wang D13/147
10,042,136 B2 8/2018 Reagan et al.
10,263,406 B2 4/2019 Wang

FOREIGN PATENT DOCUMENTS

CN 107624208 A 1/2018
EP 3103165 A1 12/2016
EP 3271974 A1 1/2018
WO 2015119983 A1 8/2015
WO 2016149337 A1 9/2016

OTHER PUBLICATIONS

English language abstract for CN 107624208 extracted from espacenet.com database on Jul. 25, 2019, 1 page.

* cited by examiner

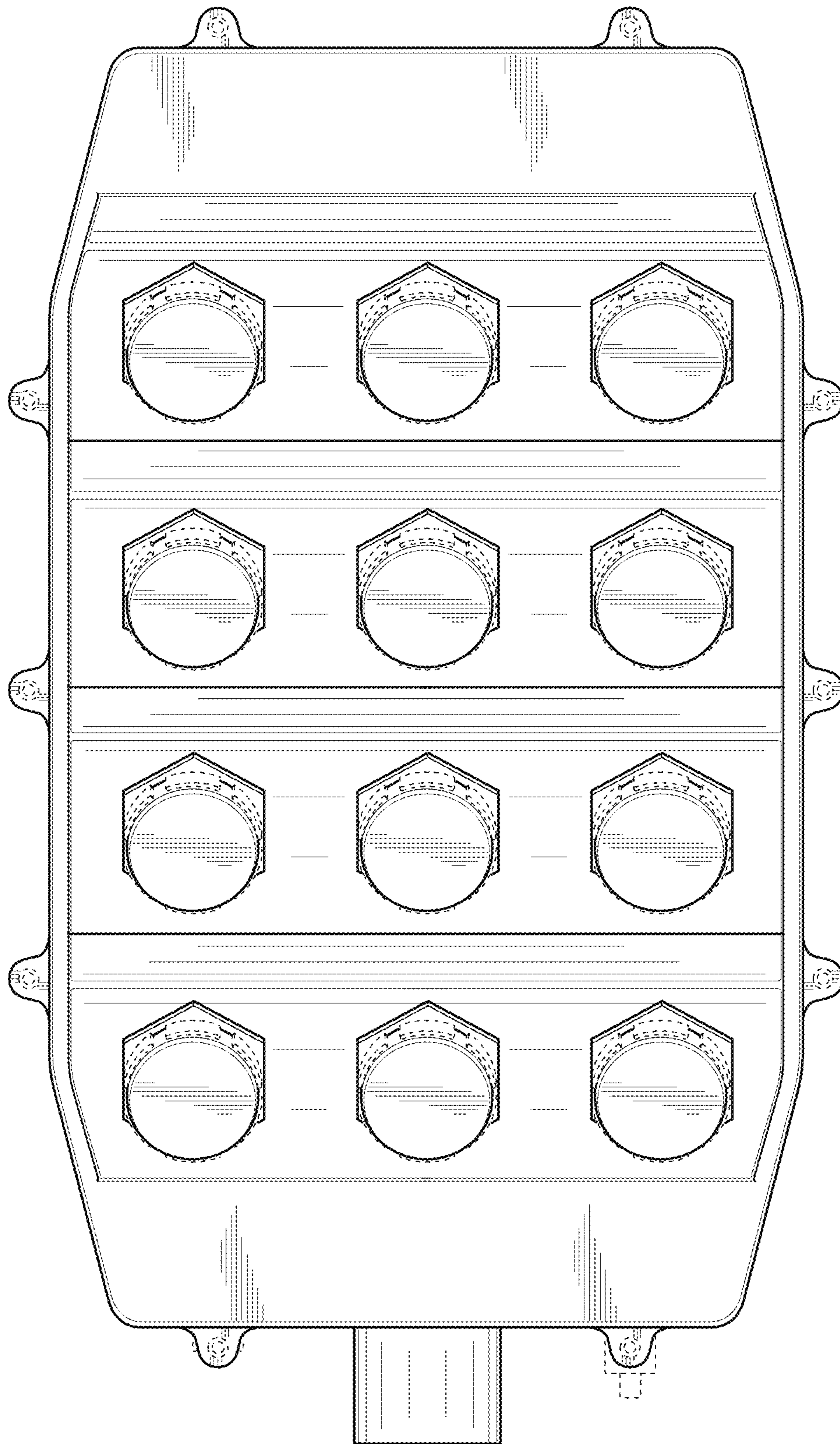


FIG. 1

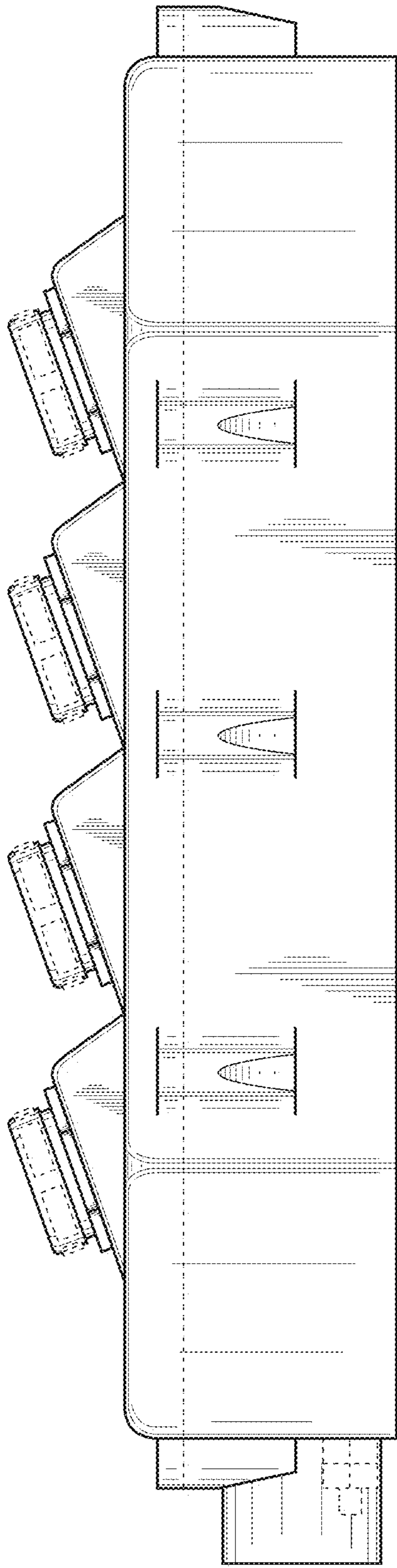


FIG. 2

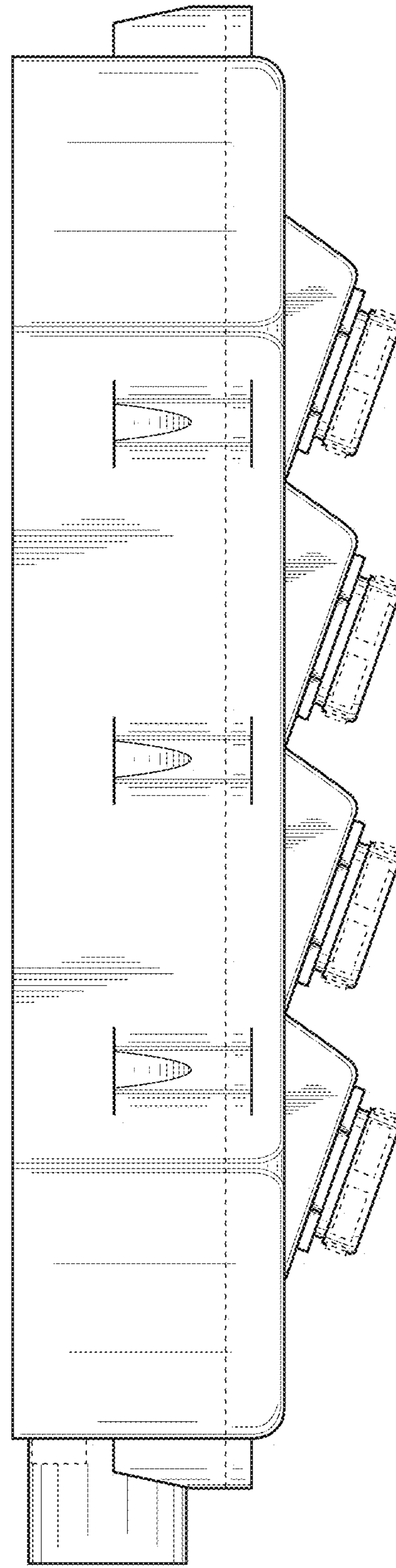


FIG. 3

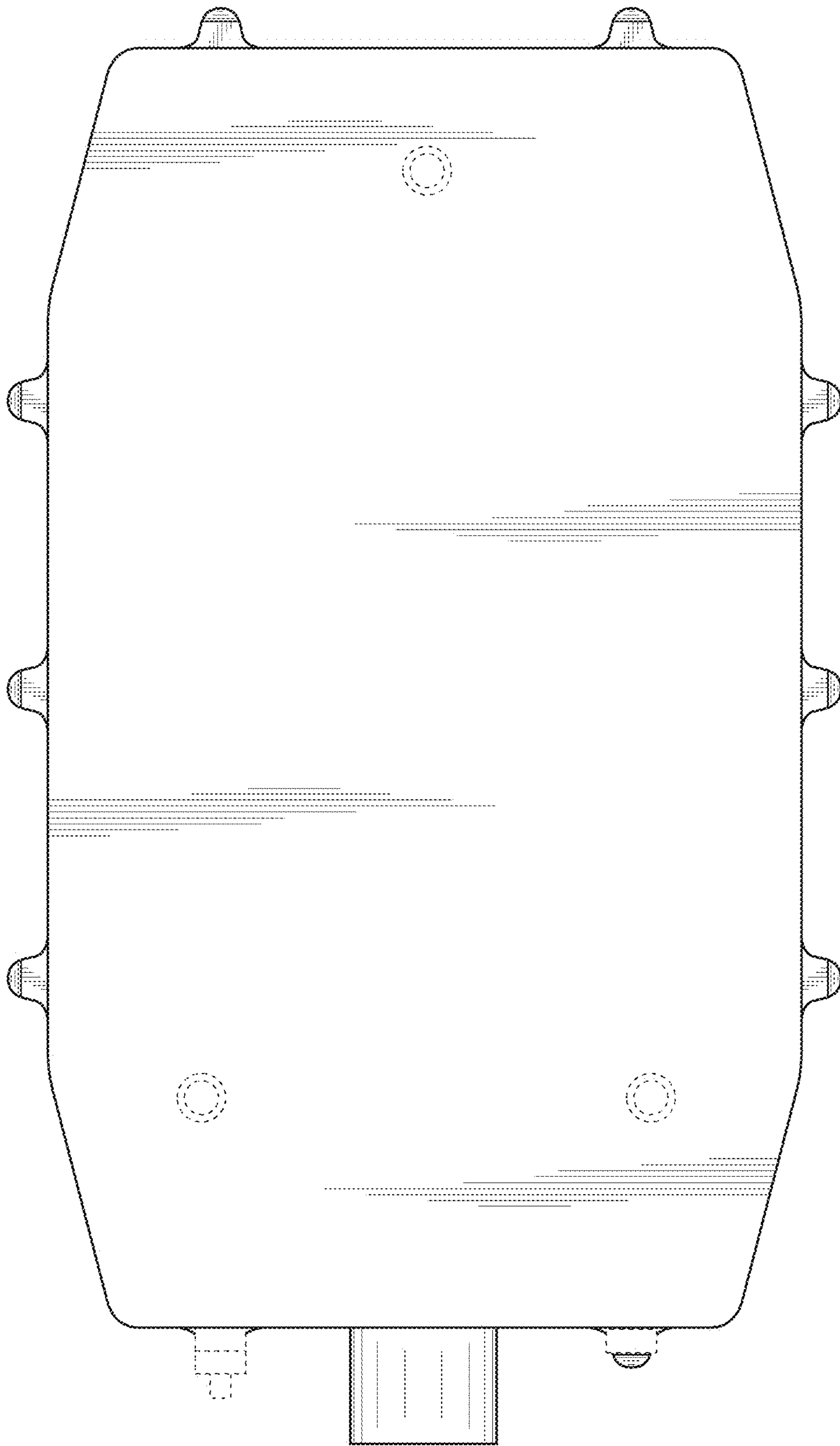


FIG. 4

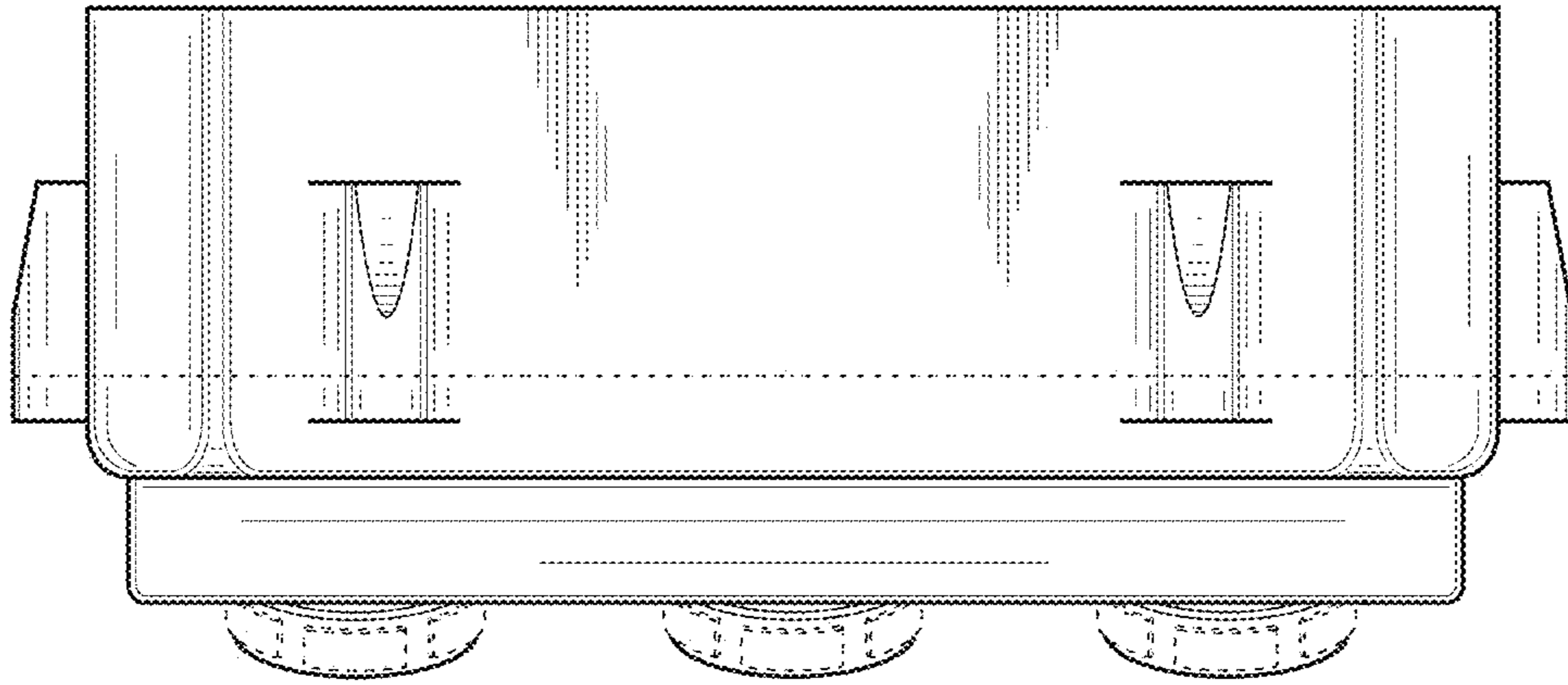


FIG. 5

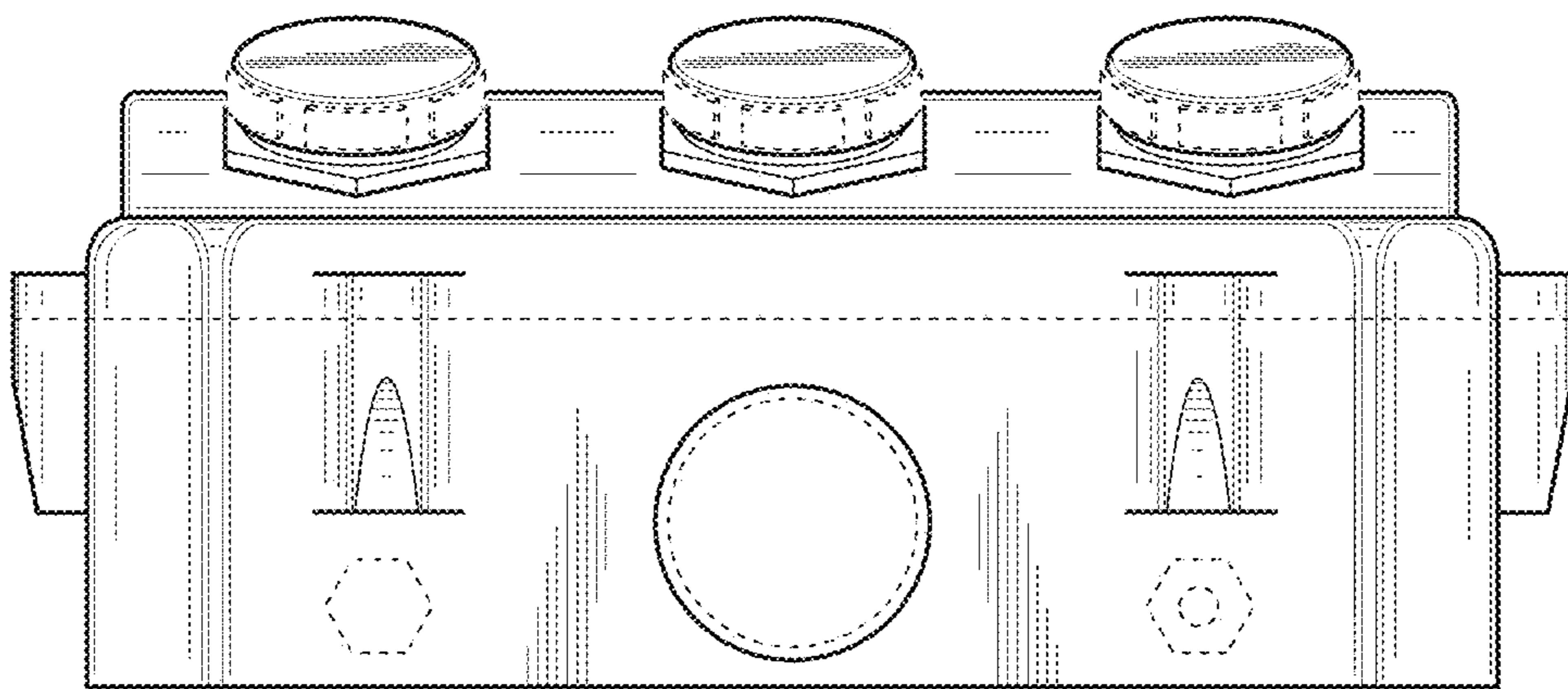


FIG. 6

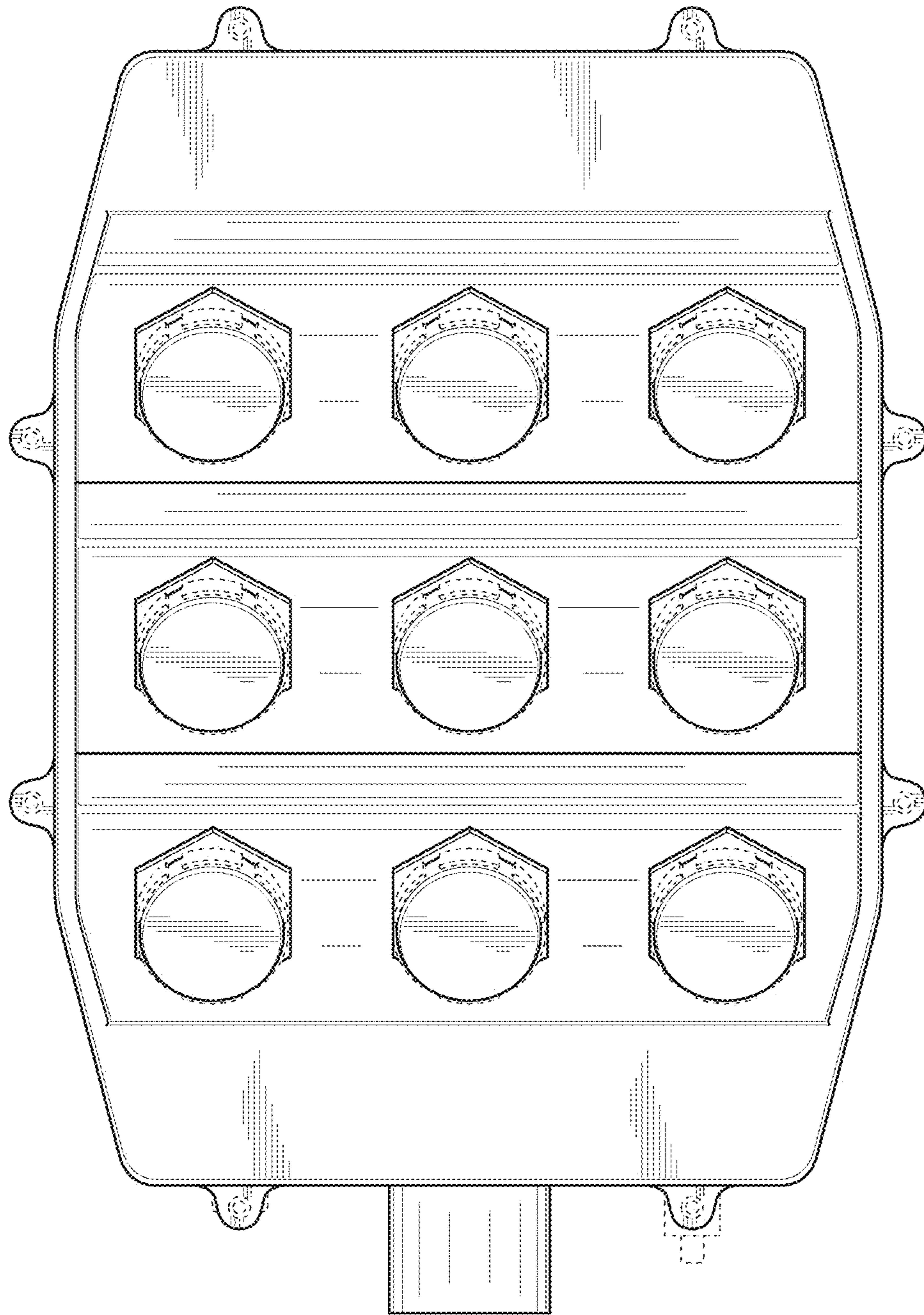


FIG. 7

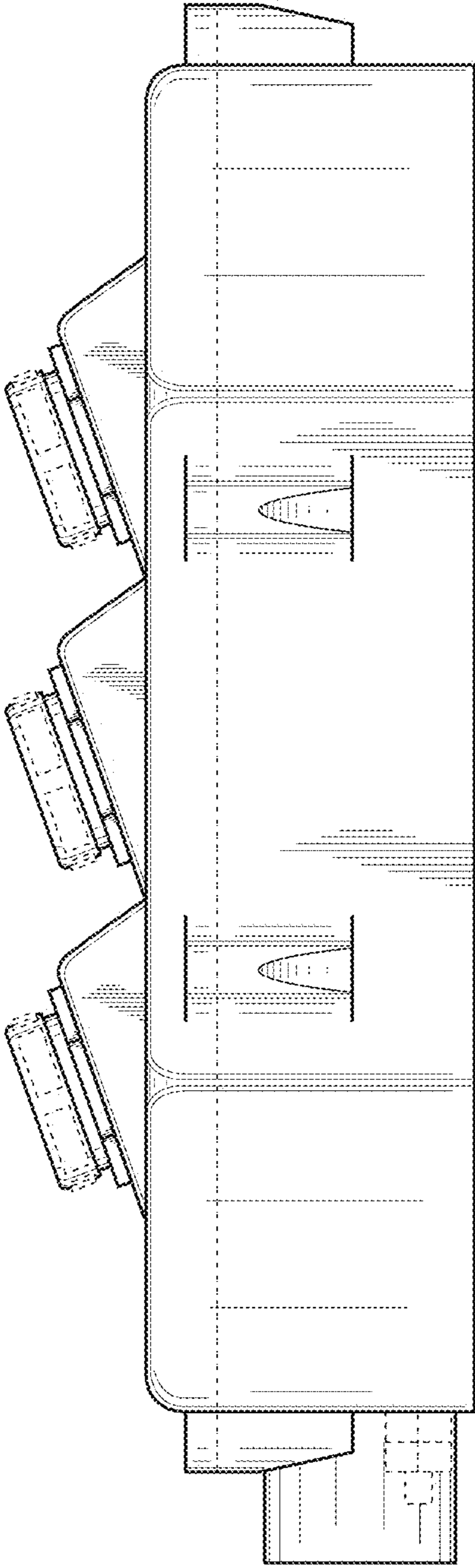


FIG. 8

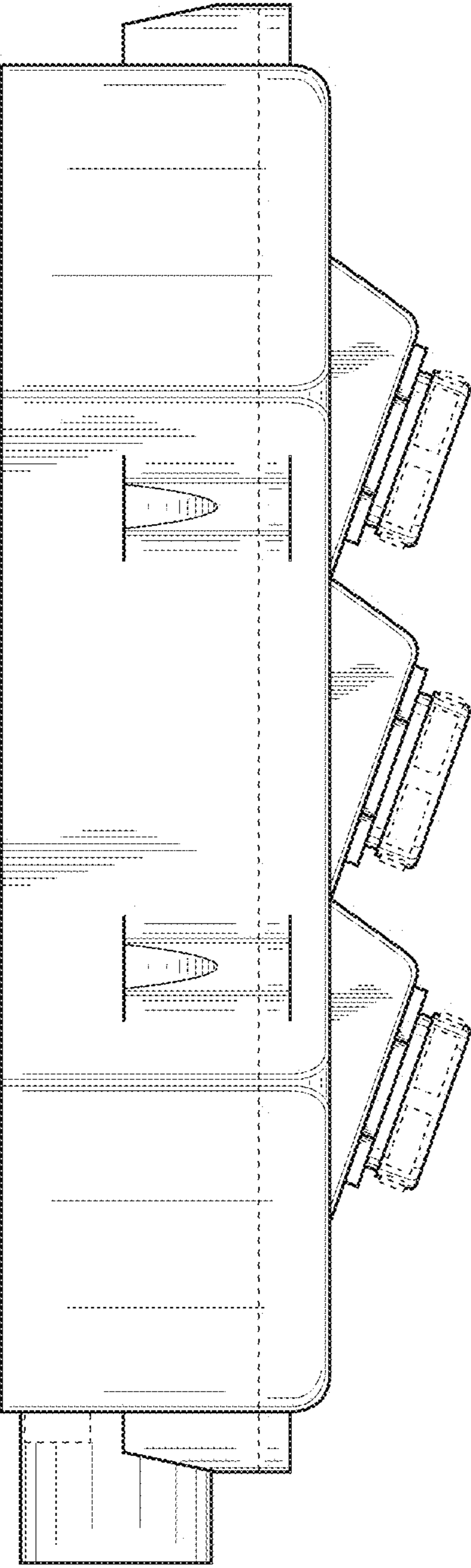


FIG. 9

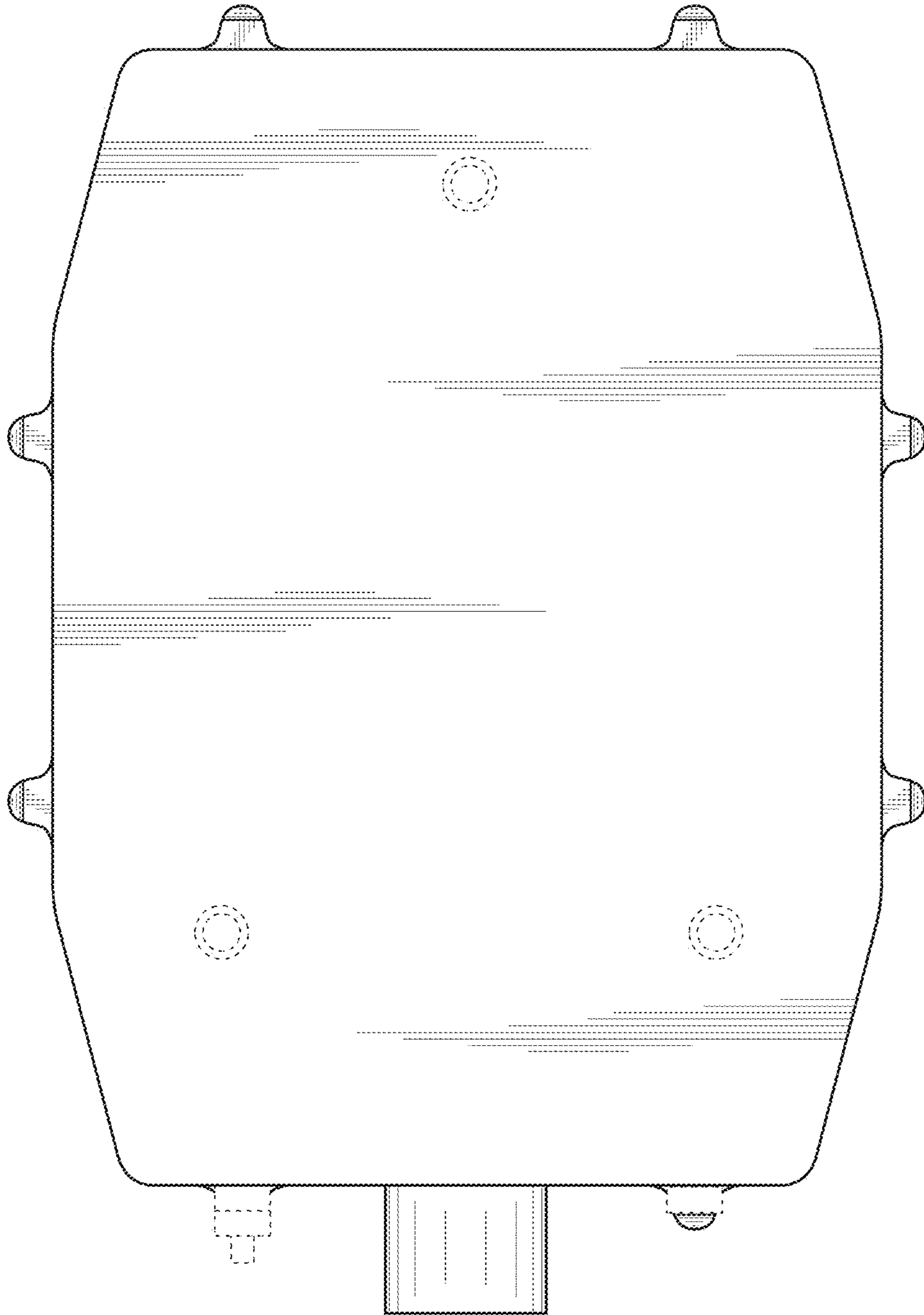


FIG. 10

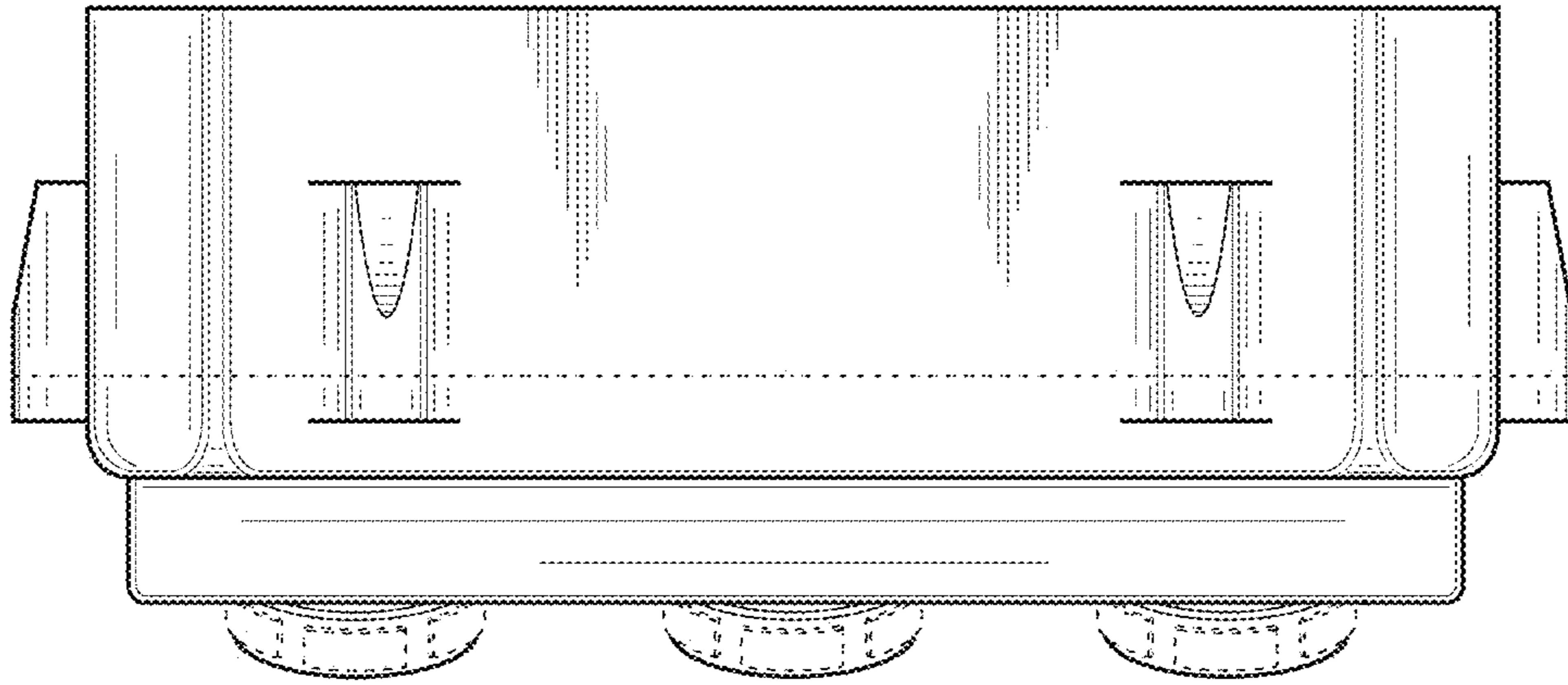


FIG. 11

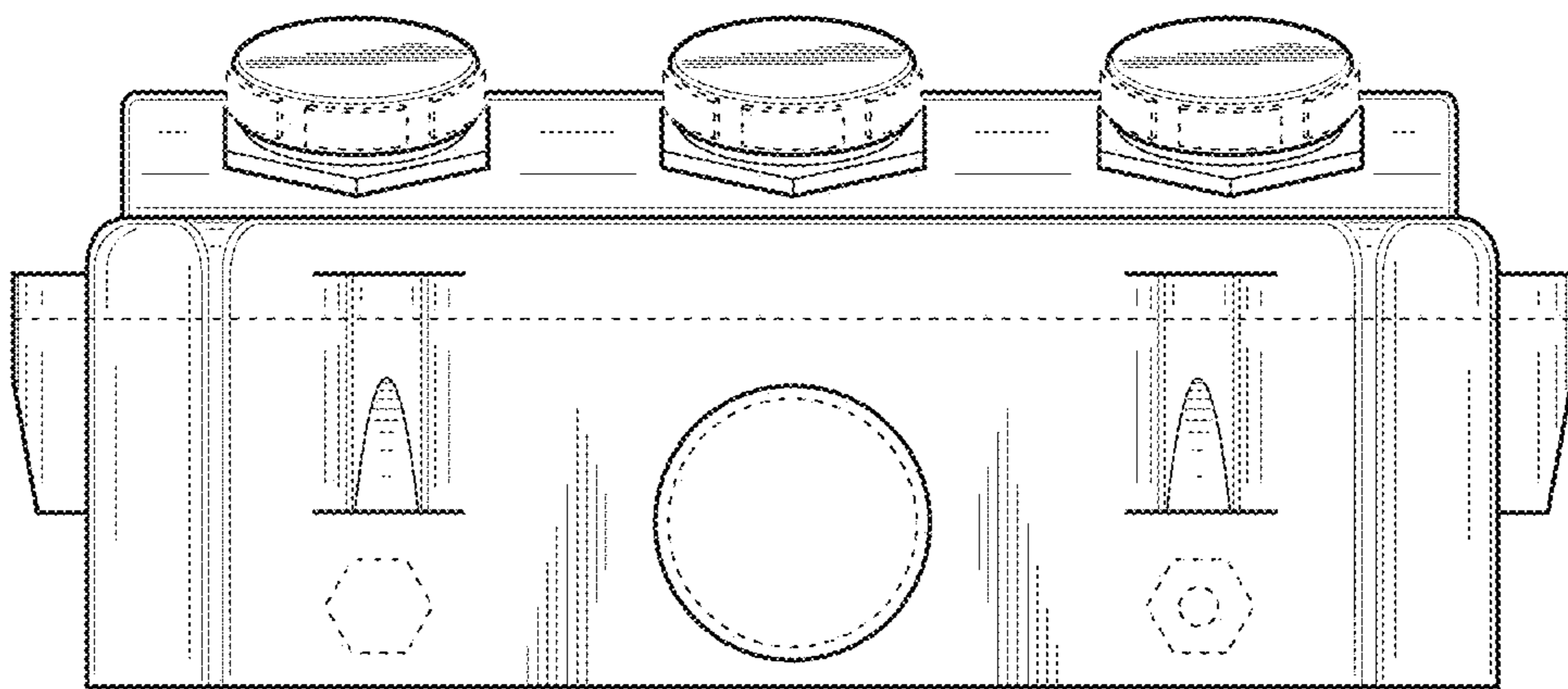


FIG. 12