



US00D901389S

(12) **United States Design Patent** (10) **Patent No.:** **US D901,389 S**
Gonzalez et al. (45) **Date of Patent:** **** Nov. 10, 2020**

(54) **CONNECTOR**

(71) Applicant: **Molex, LLC**, Lisle, IL (US)

(72) Inventors: **Michael Gonzalez**, Lisle, IL (US);
Joseph D. Comerci, Lisle, IL (US);
Ishwarappa Ganamukhi, Bangalore (IN); **KrishnaPrasad Darbal Somanath**, Bangalore (IN); **Manohara Ramakrishna Gowda**, Bangalore (IN)

(73) Assignee: **Molex, LLC**, Lisle, IL (US)

(**) Term: **15 Years**

(21) Appl. No.: **29/681,958**

(22) Filed: **Feb. 28, 2019**

(51) **LOC (12) Cl.** **13-03**

(52) **U.S. Cl.**
USPC **D13/146**

(58) **Field of Classification Search**
USPC D13/133, 146, 147, 151, 153, 155, 156, D13/184
CPC H01R 13/02; H01R 13/436; H01R 13/502; H01R 13/504; H01R 13/506; H01R 13/62; H01R 13/64; H01R 13/641
See application file for complete search history.

(56) **References Cited**

U.S. PATENT DOCUMENTS

6,939,159 B1 * 9/2005 Klein H01R 13/6272 439/352
D530,281 S * 10/2006 Lord D13/147
(Continued)

FOREIGN PATENT DOCUMENTS

CN 305633275 * 3/2020

OTHER PUBLICATIONS

Plug Housing, date N/A, [online], [site visited Jun. 22, 2020], Available from Internet URL: <https://chyaoshi.manufacturer>.

globalsources.com/si/6008800038724/pdtl/Connector-housing/1047219690/Mini-Fit-DR-Power-Connectors-Plug-Housing.htm (Year: n/a).*

Primary Examiner — Karen E Kearney

Assistant Examiner — Michael Chong

(74) *Attorney, Agent, or Firm* — Banner & Witcoff, Ltd.

(57) **CLAIM**

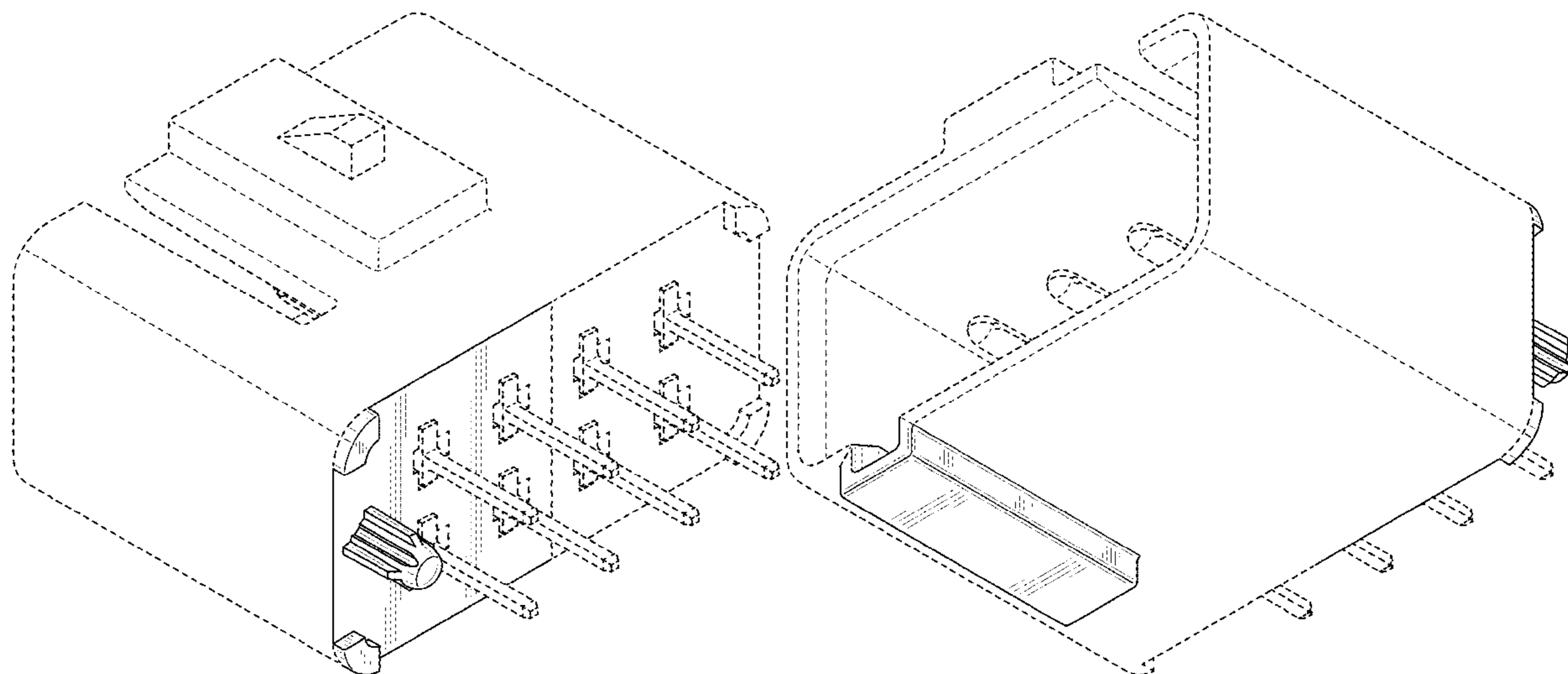
The ornamental design for a connector, as shown and described.

DESCRIPTION

FIG. 1 is a front top perspective view of a connector showing our new design;
FIG. 2 is a rear bottom perspective view thereof;
FIG. 3 is a left side view thereof;
FIG. 4 is a right side view thereof;
FIG. 5 is a top view thereof;
FIG. 6 is a bottom view thereof;
FIG. 7 is a front view thereof;
FIG. 8 is a rear view thereof;
FIG. 9 is a front top perspective view of an alternate embodiment of a connector showing our new design;
FIG. 10 is a rear bottom perspective view thereof;
FIG. 11 is a left side view thereof;
FIG. 12 is a right side view thereof;
FIG. 13 is a top view thereof;
FIG. 14 is a bottom view thereof;
FIG. 15 is a front view thereof; and
FIG. 16 is a rear view thereof.

The broken lines immediately adjacent to the shaded areas represent the bounds of the claimed design and form no part thereof. The unshaded broken line features within the shaded area form no part of the claimed design. The broken lines depicting the remainder of the connector show features that form no part of the claimed design. In FIGS. 9-16, the connector is shown with a symbolic break in length. The appearance of any portion of the connector between the break lines indicated by brackets forms no part of the claimed design.

1 Claim, 16 Drawing Sheets



(56)

References Cited

U.S. PATENT DOCUMENTS

D560,613	S	*	1/2008	McEvoy	D13/147
D560,614	S	*	1/2008	McEvoy	D13/147
D561,103	S	*	2/2008	Grant	D13/147
D561,107	S	*	2/2008	Cuff	D13/147
D561,108	S	*	2/2008	Cuff	D13/147
D561,698	S	*	2/2008	Cuff	D13/147
D562,775	S	*	2/2008	Cuff	D13/147
D678,201	S	*	3/2013	Corona	D13/133
D697,488	S	*	1/2014	Smith	D13/147
9,620,879	B2	*	4/2017	Li	H01R 4/185
9,847,597	B2	*	12/2017	Uttarkar	H01R 13/6272
D810,689	S	*	2/2018	Takano	D13/147
D811,345	S	*	2/2018	Takano	D13/147
10,468,804	B2	*	11/2019	Kawamura	H01R 13/15
D883,225	S	*	5/2020	Asano	D13/147

* cited by examiner

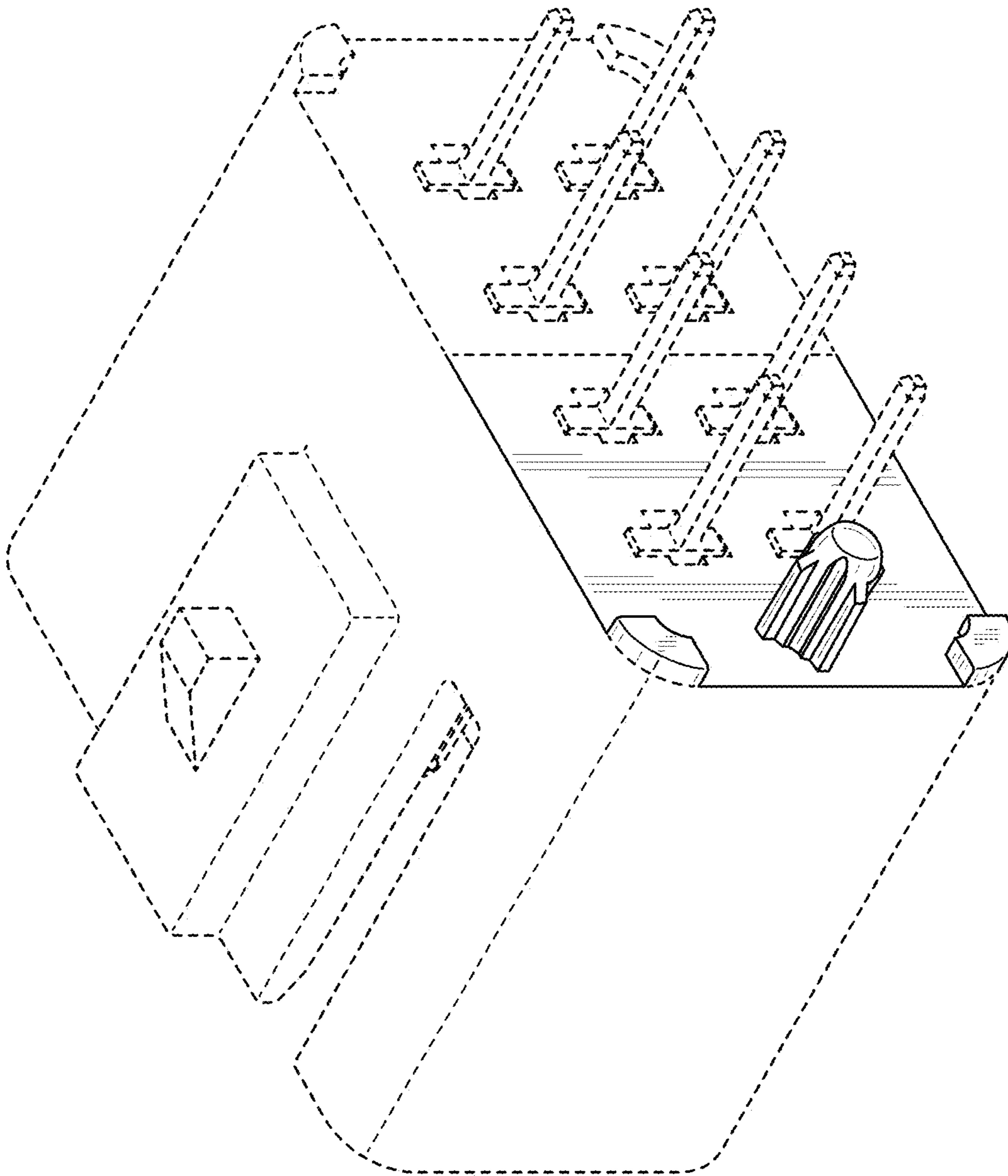


FIG. 1

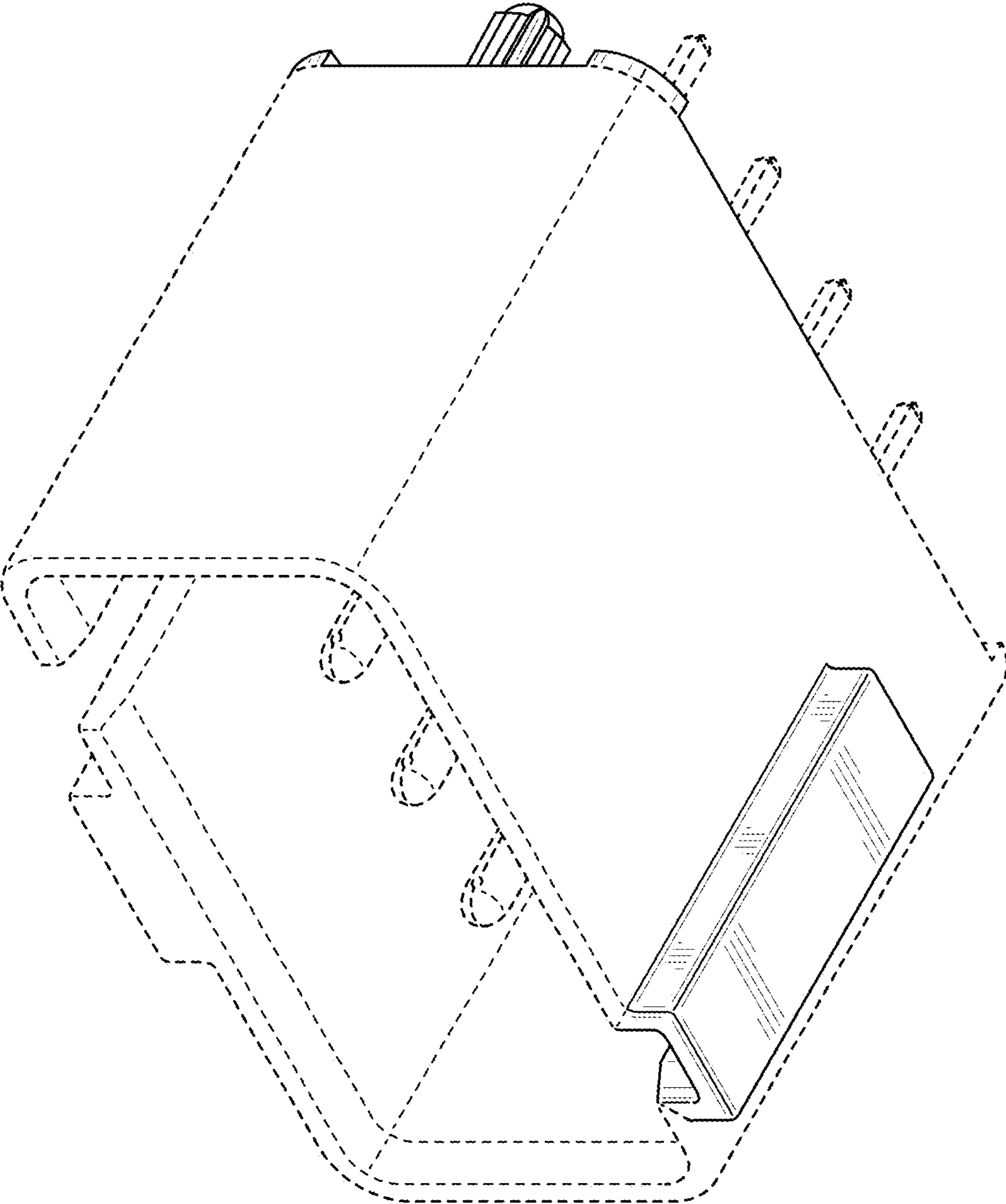


FIG. 2

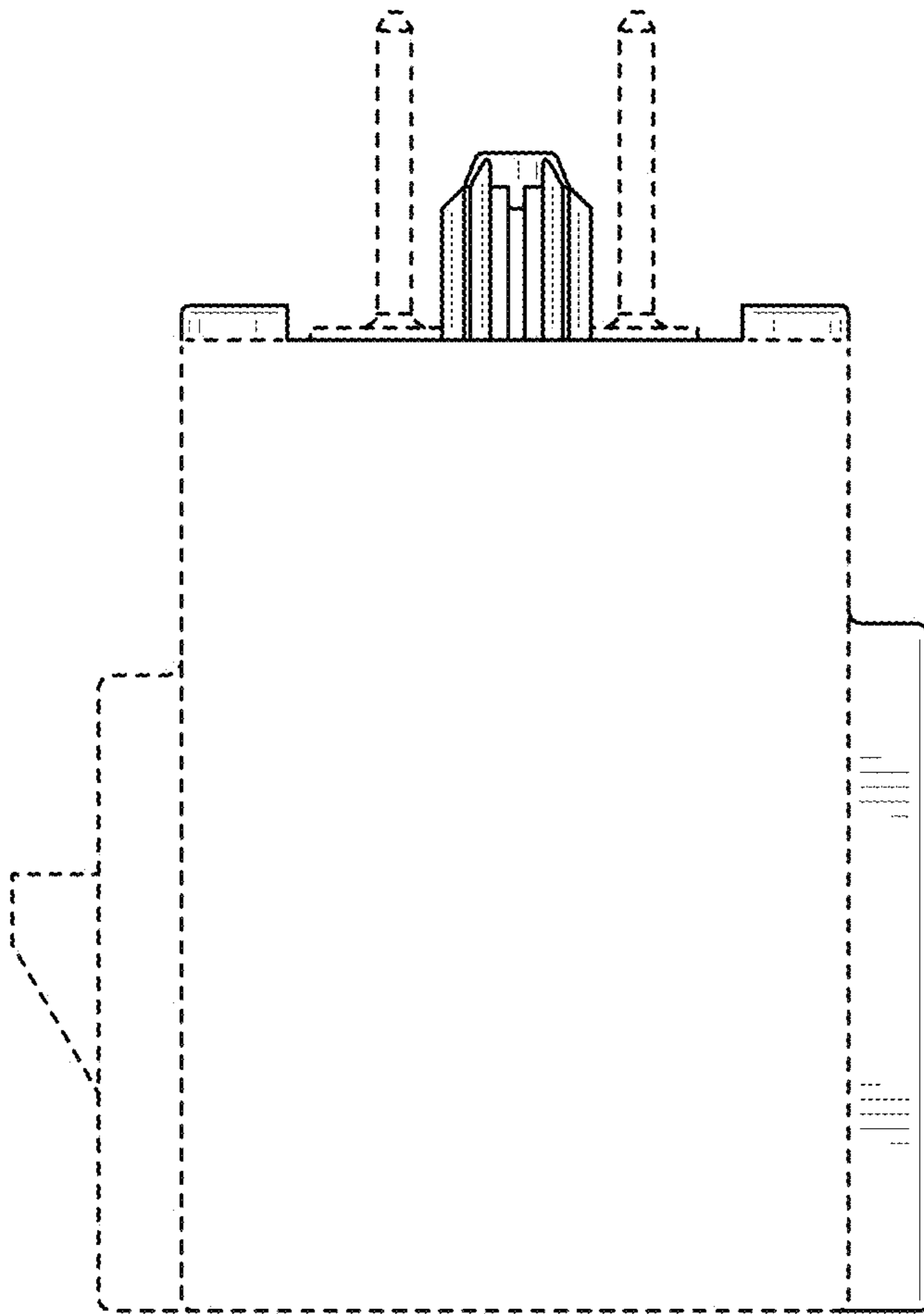


FIG. 3

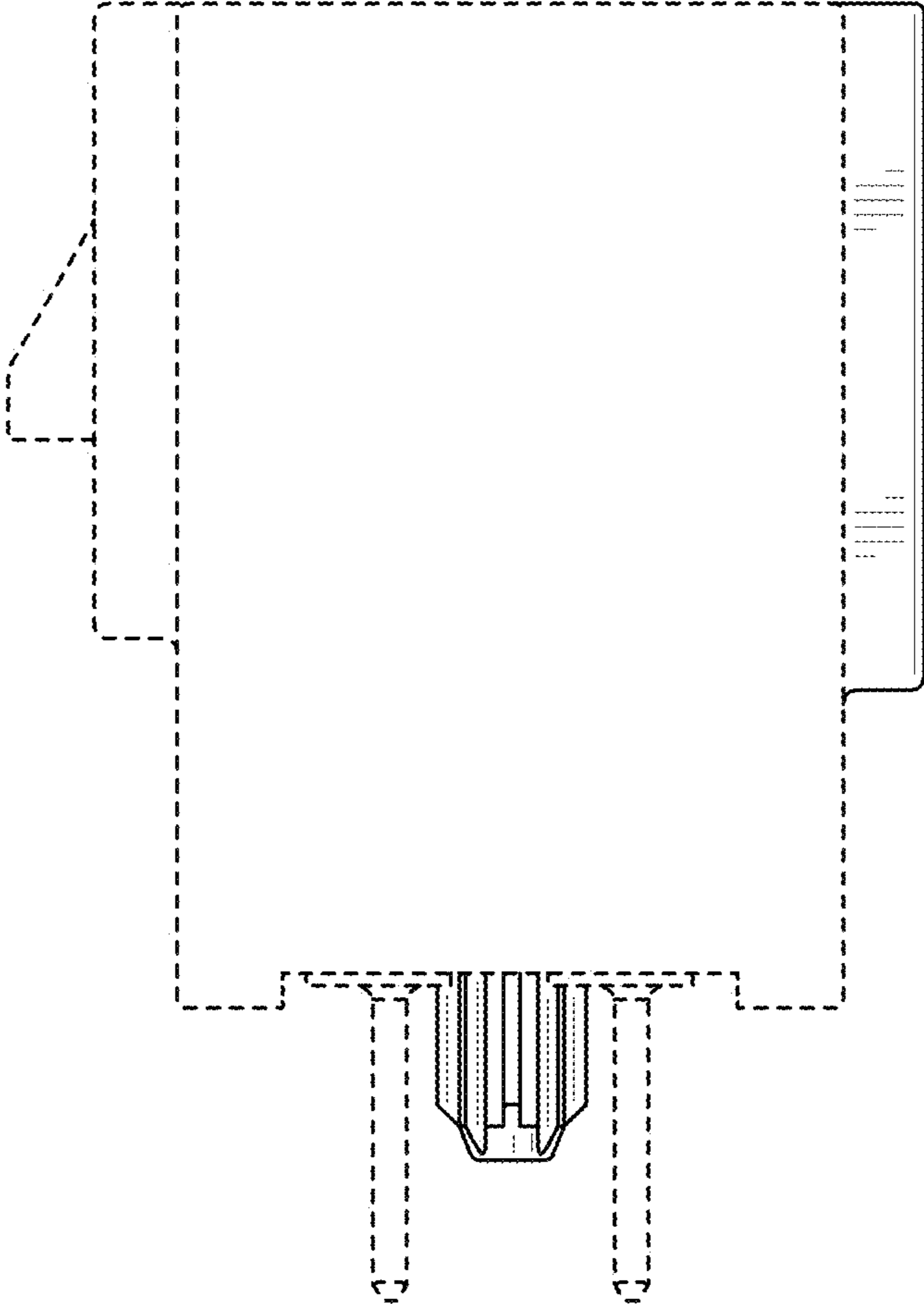


FIG. 4

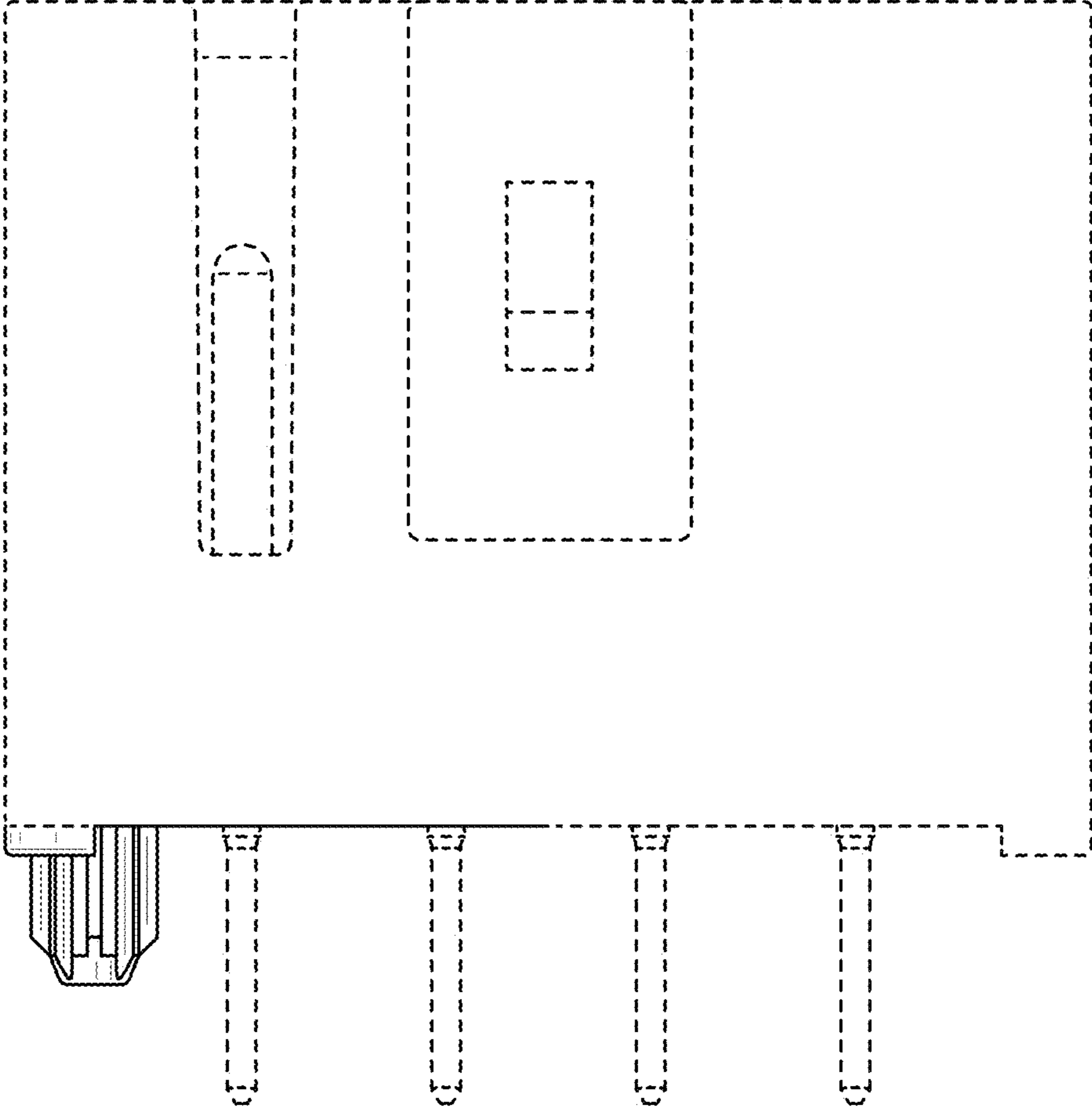


FIG. 5

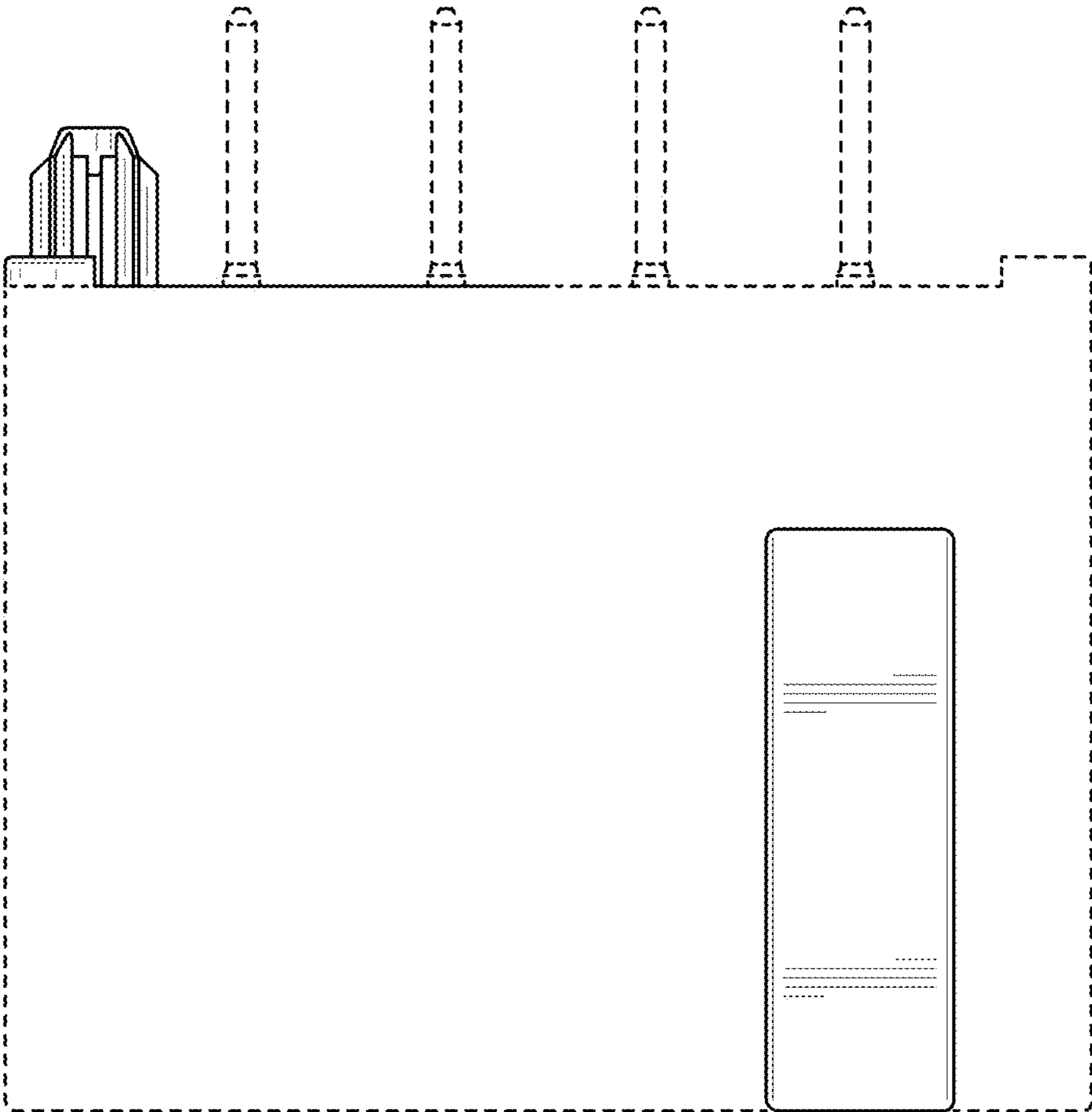


FIG. 6

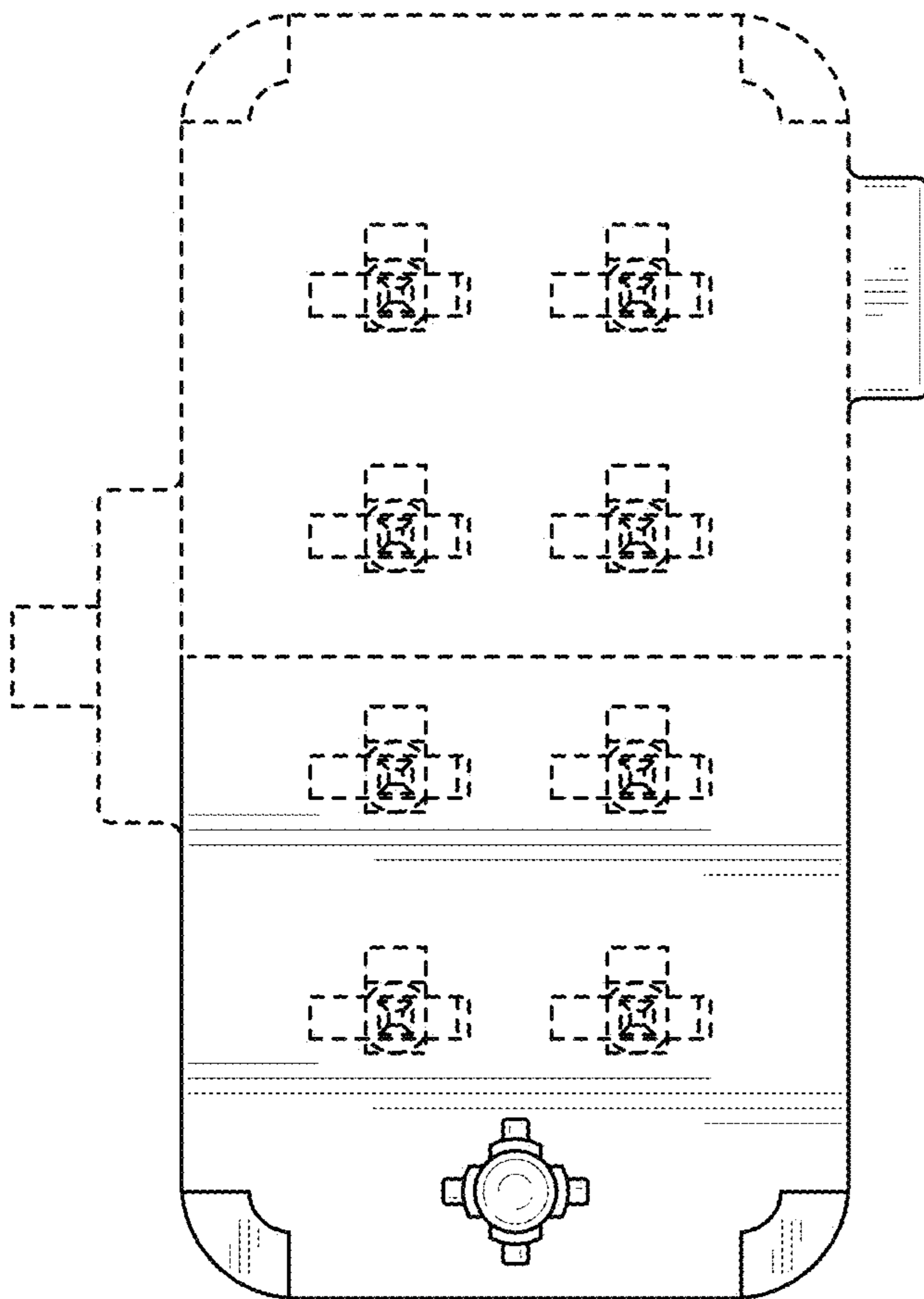


FIG. 7

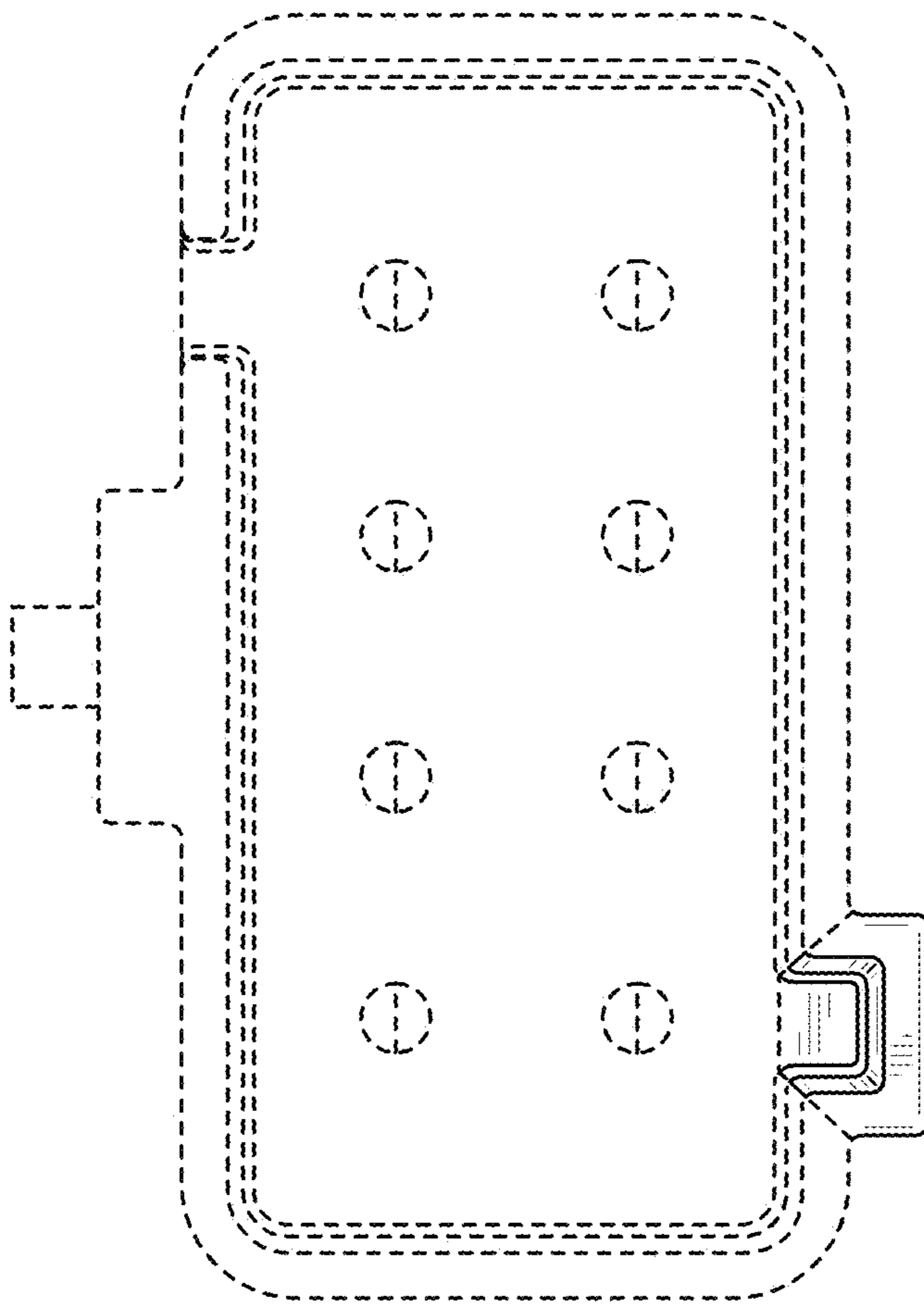


FIG. 8

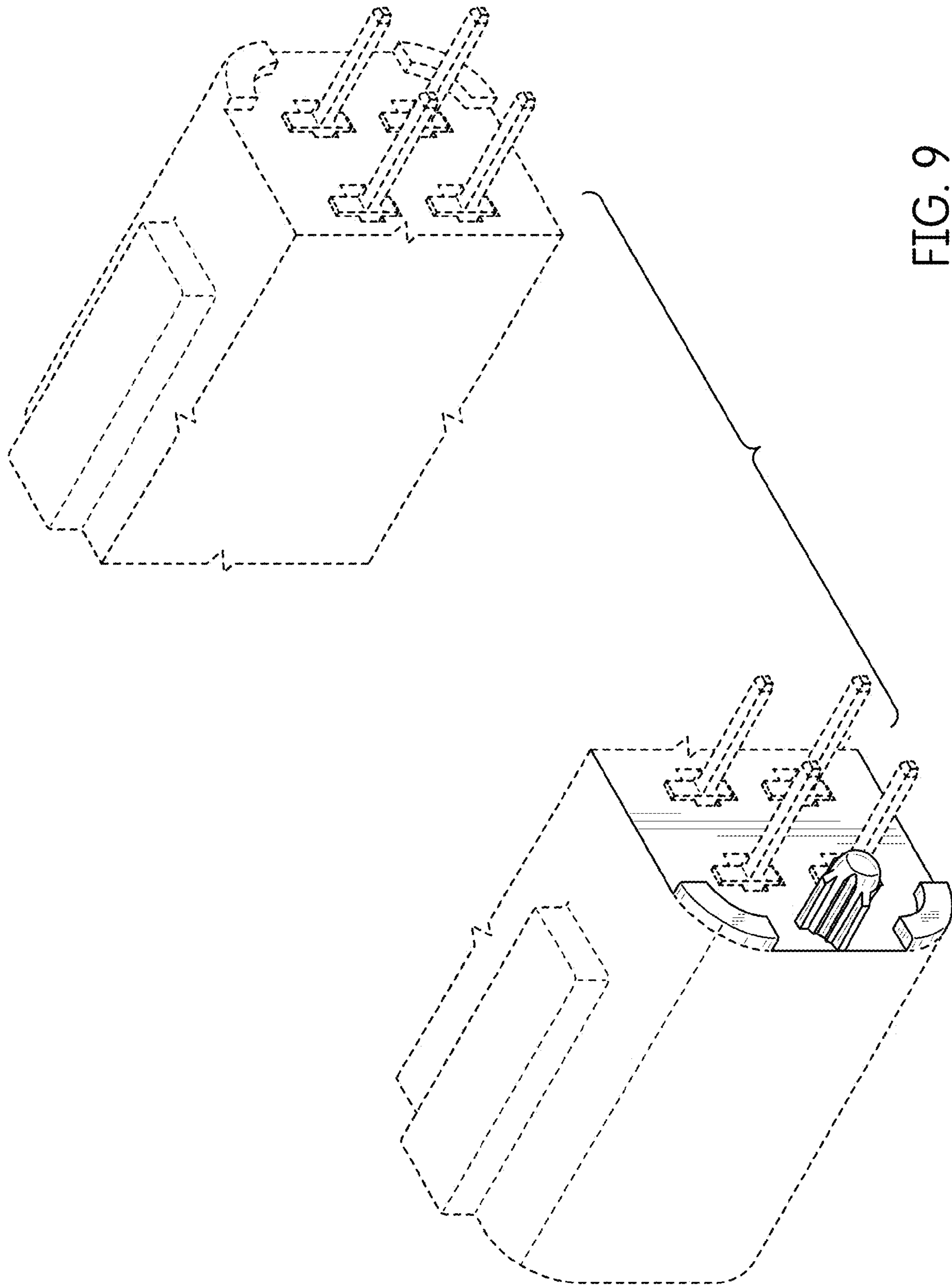


FIG. 9

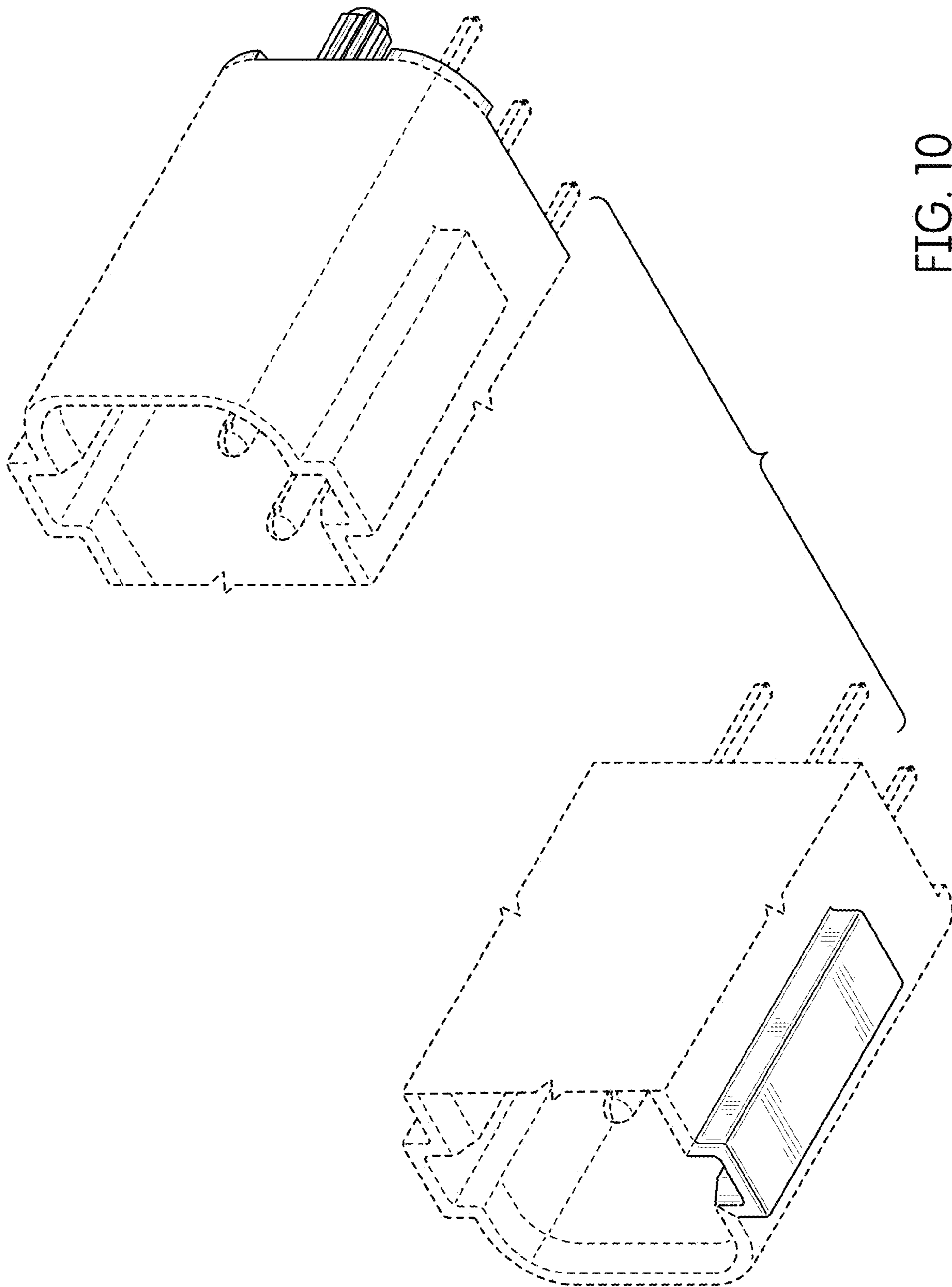


FIG. 10

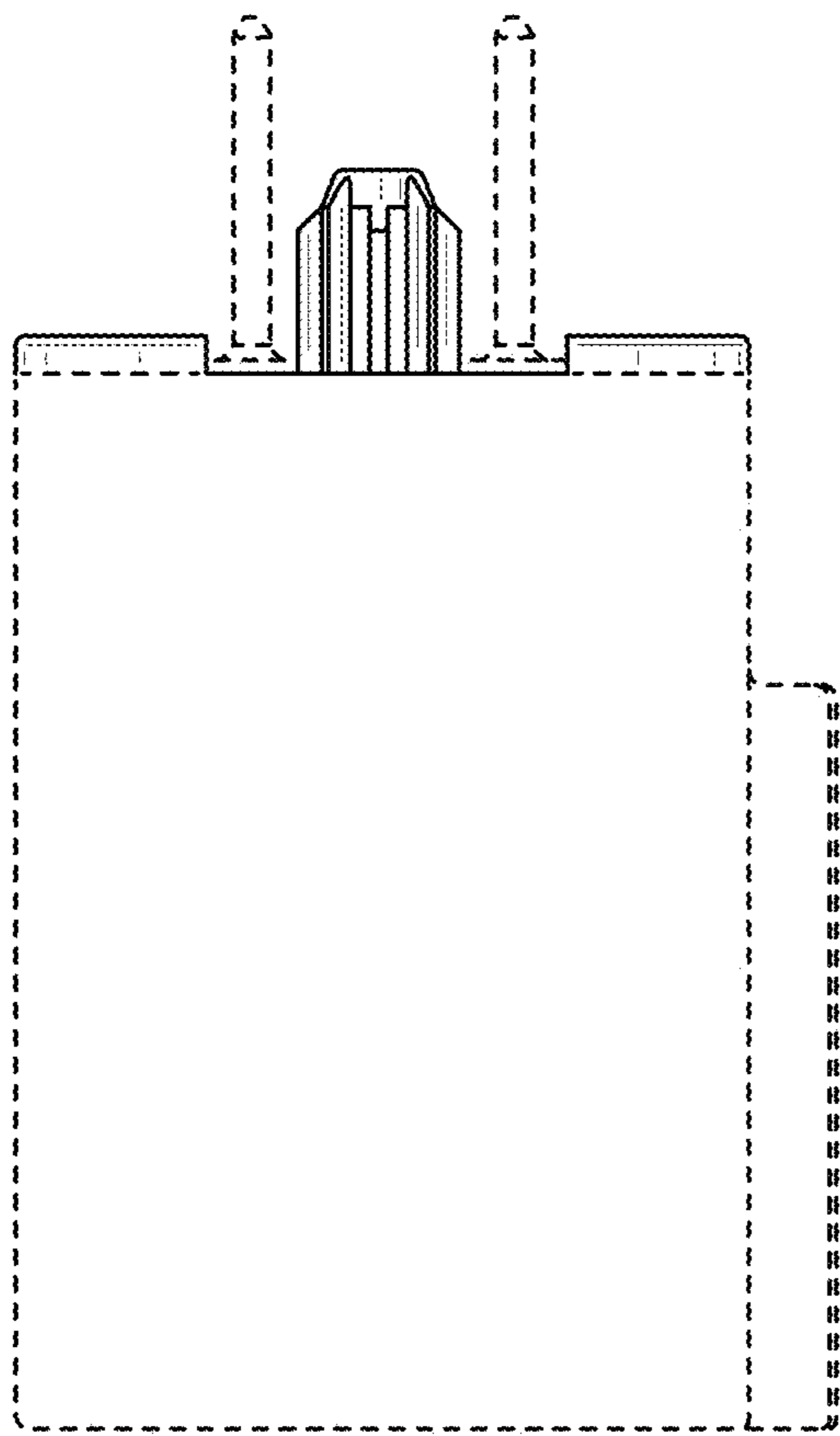


FIG. 11

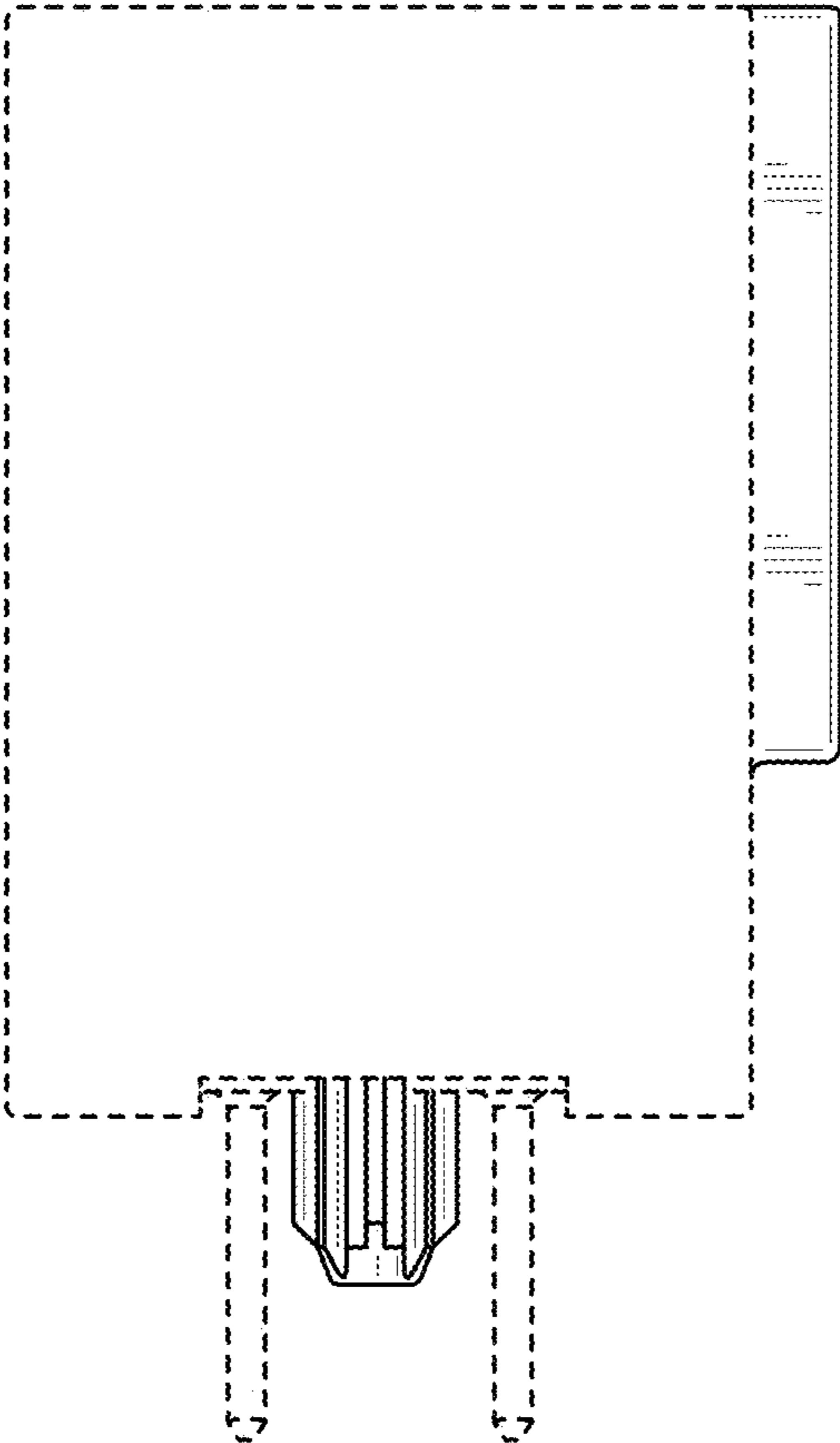


FIG. 12

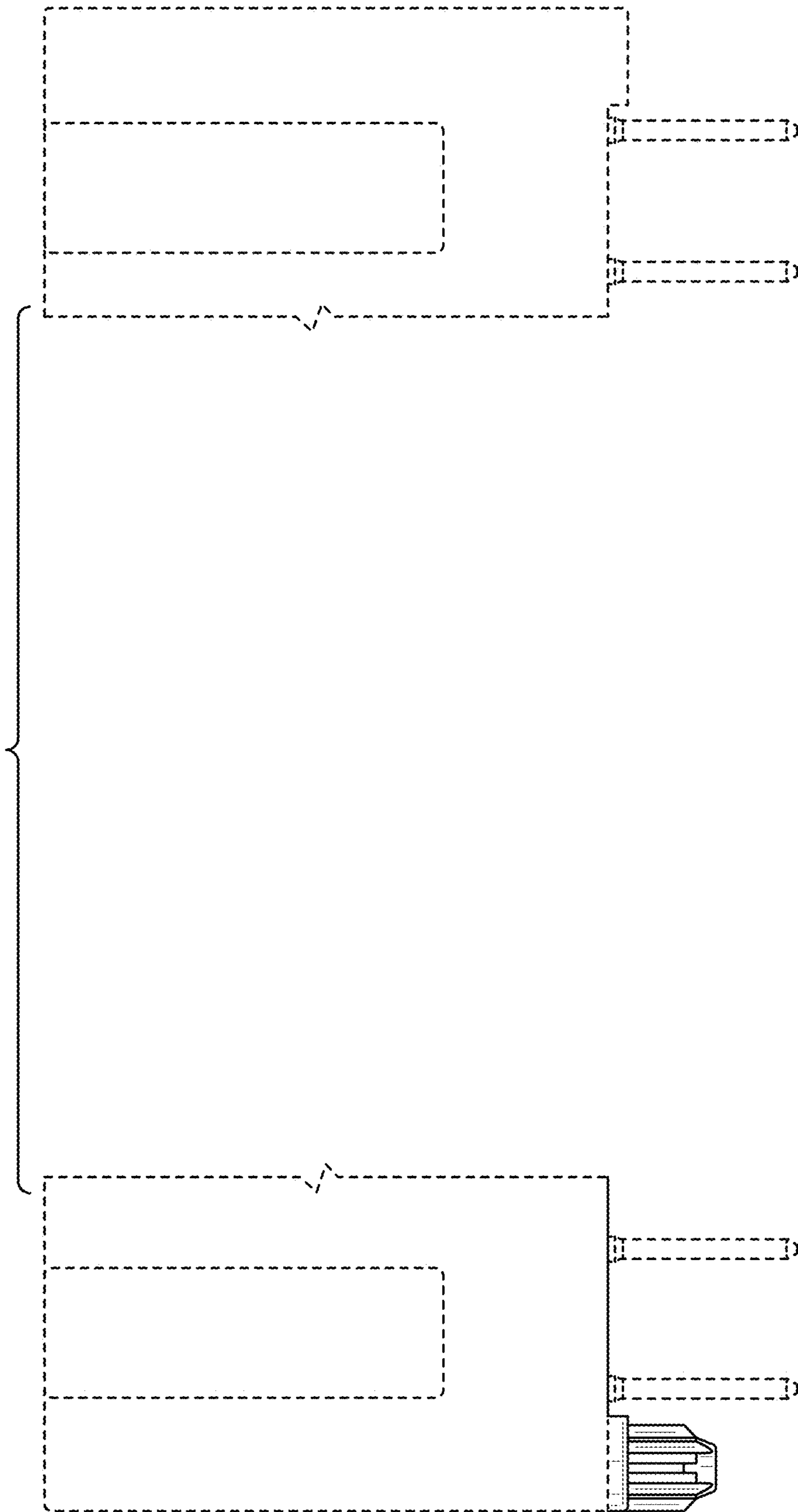


FIG. 13



FIG. 14

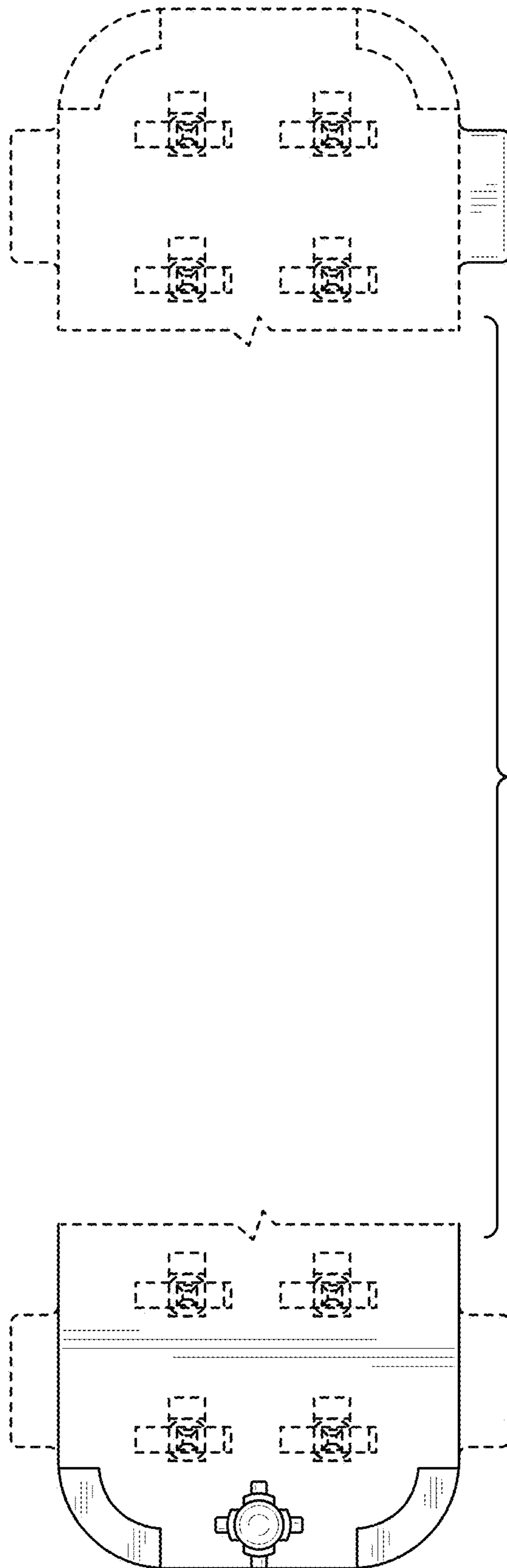


FIG. 15

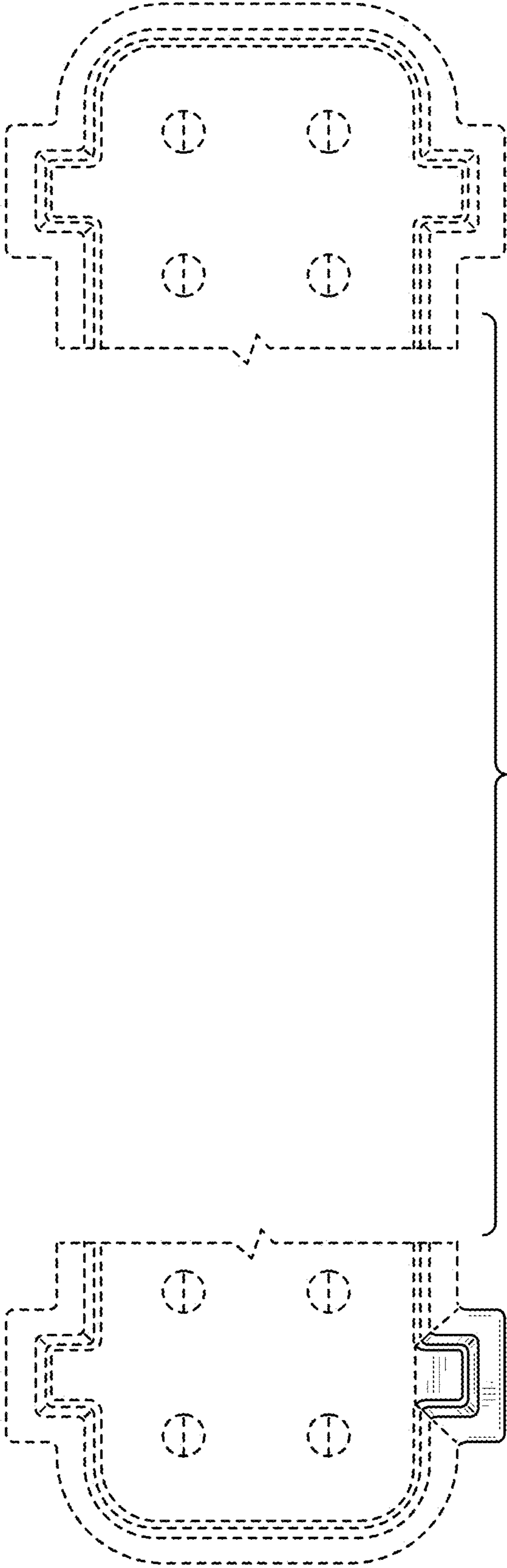


FIG. 16