



US00D901388S

(12) **United States Design Patent** (10) **Patent No.:** **US D901,388 S**
Hasani (45) **Date of Patent:** **** Nov. 10, 2020**

(54) **CHARGING STATION**
(71) Applicant: **Parabit Systems, Inc.**, Roosevelt, NY
(US)
(72) Inventor: **Mohammad Hasani**, Brooklyn, NY
(US)
(73) Assignee: **Parabit Systems, Inc.**, Roosevelt, NY
(US)

D396,123 S 7/1998 Swanson
D446,499 S * 8/2001 Andre D13/110
D480,581 S 10/2003 Searer
D544,248 S 6/2007 Parisot
(Continued)

FOREIGN PATENT DOCUMENTS

EP 2194617 A1 * 6/2010 H01R 24/78
WO WO-2009059921 A1 * 5/2009 H01R 13/74

OTHER PUBLICATIONS

“Alaska Airlines International Power Outlet”. Found online Apr. 21, 2020 at commons.wikipedia.org. Reference dated Sep. 11, 2014. Retrieved from https://commons.wikimedia.org/wiki/File:Alaska_Airlines_International_Power_Outlets.jpg. (Year: 2014).*

(Continued)

Primary Examiner — Kendra Leslie Hamilton
Assistant Examiner — Amanda Christensen
(74) *Attorney, Agent, or Firm* — Gerald Hespos; Michael Porco; Matthew Hespos

(57) **CLAIM**

The ornamental design for a portion of a charging station, as shown and described.

DESCRIPTION

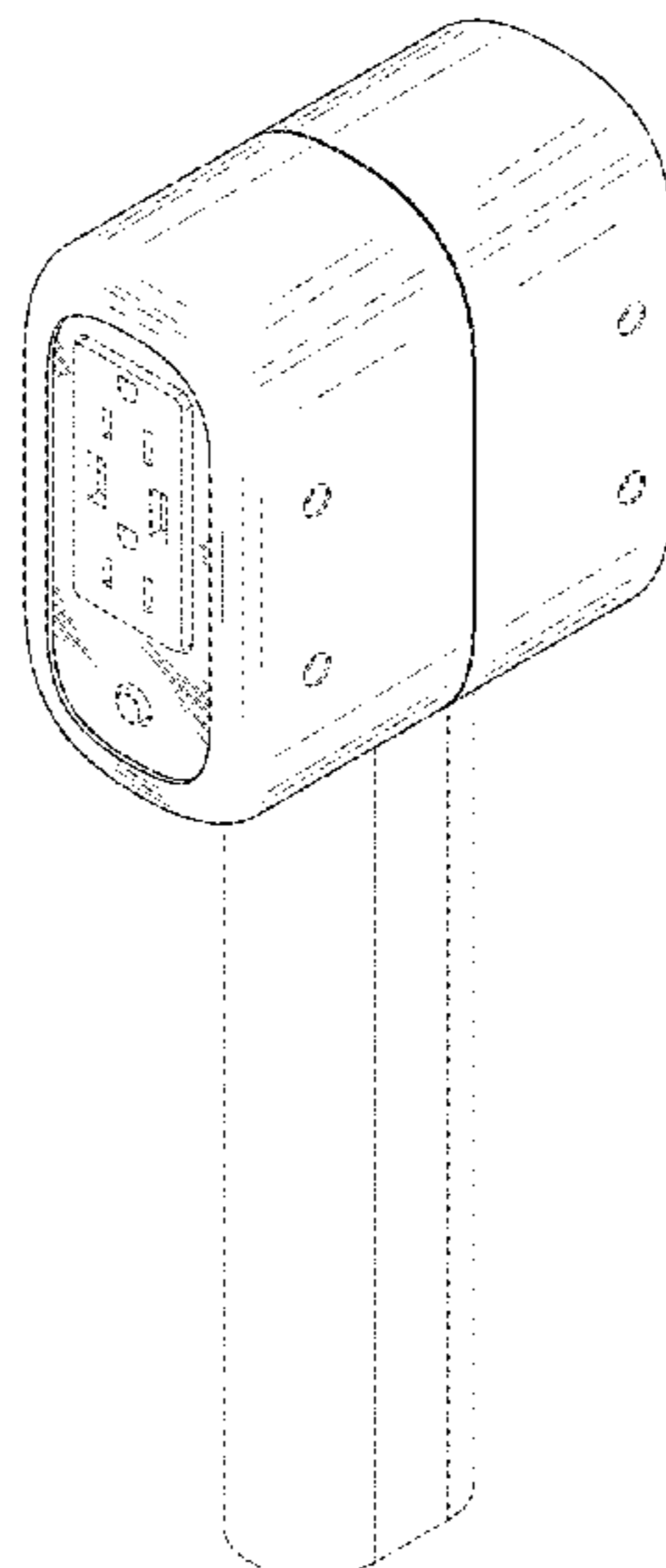
FIG. 1 is a top, front, right perspective view of a charging station showing my new design;
FIG. 2 is a front elevational view thereof;
FIG. 3 is a rear elevational view thereof;
FIG. 4 is a right side elevational view thereof;
FIG. 5 is a left side elevational view thereof;
FIG. 6 is a top plan view thereof;
FIG. 7 is a bottom plan view thereof; and,
FIG. 8 is a rear, top perspective view thereof.
The broken lines depict portions of the charging station that form no part of the claimed design.

1 Claim, 8 Drawing Sheets

(**) Term: **15 Years**
(21) Appl. No.: **29/659,999**
(22) Filed: **Aug. 14, 2018**
(51) **LOC (12) Cl.** **13-03**
(52) **U.S. Cl.**
USPC **D13/137.1**
(58) **Field of Classification Search**
USPC D13/107, 108, 110, 118, 119, 120, 122,
D13/133, 137.1, 137.2, 137.3, 137.4,
D13/138.1, 138.2, 139.1, 139.2, 139.3,
D13/139.4, 139.5, 139.6, 139.7, 139.8,
D13/156
CPC H02J 7/0027; H01R 13/46; H01R 13/44;
H01R 29/00
See application file for complete search history.

(56) **References Cited**
U.S. PATENT DOCUMENTS

D126,590 S * 4/1941 Lewin D13/139.4
D195,567 S 7/1963 Gleitsman et al.
D195,571 S 7/1963 Gleitsman et al.
3,488,622 A * 1/1970 Gley H01R 13/62972
439/157
D222,567 S 11/1971 Cohen
D228,213 S 8/1973 Johnston
D228,984 S 11/1973 Miller
D359,722 S * 6/1995 Owens D13/137.1
D365,237 S 12/1995 Stirling et al.
D371,919 S 7/1996 Konecny



(56)

References Cited

U.S. PATENT DOCUMENTS

D671,068	S	11/2012	Gieniec	
D709,828	S	7/2014	Fiaschetti	
D729,161	S	5/2015	Lykov	
D742,830	S *	11/2015	Croft	D13/137.2
D762,177	S *	7/2016	Sumwalt	D13/139.4
D766,823	S	9/2016	Wahl	
D794,558	S	8/2017	Zhou	
D858,435	S *	9/2019	Helnerus	D13/107
D873,768	S *	1/2020	Minkyu	D13/107
D880,425	S *	4/2020	Chen	D13/137.3
2009/0224423	A1 *	9/2009	Vigorito	H05K 5/02 264/272.15
2010/0013434	A1 *	1/2010	Taylor-Haw	G07F 15/003 320/109
2011/0084651	A1 *	4/2011	Caskey	H02J 7/0044 320/107
2020/0052506	A1 *	2/2020	Green	H02J 7/0027

OTHER PUBLICATIONS

“InPower Flex Charging Stations”. Found online Apr. 21, 2020 at [clickorlando.com](https://www.clickorlando.com). Reference dated Nov. 15, 2019. Retrieved from <https://www.clickorlando.com/news/2019/11/15/officials-warn-against-using-public-usb-charging-stations/>. (Year: 2019).*

“Forbes USB Charging Station”. Found online Apr. 22, 2020 at [Forbes.com](https://www.forbes.com/sites/suzannerowankelleher/2019/05/21/why-you-should-never-use-airport-usb-charging-stations/#9e3d0745955b). Reference dated May 21, 2019. Retrieved from <https://www.forbes.com/sites/suzannerowankelleher/2019/05/21/why-you-should-never-use-airport-usb-charging-stations/#9e3d0745955b>. (Year: 2019).*

Mobile Device Charging Stations: Power to the People Brochure; Parabit Systems, Inc.; 8 pages, Jun. 27, 2017.

* cited by examiner

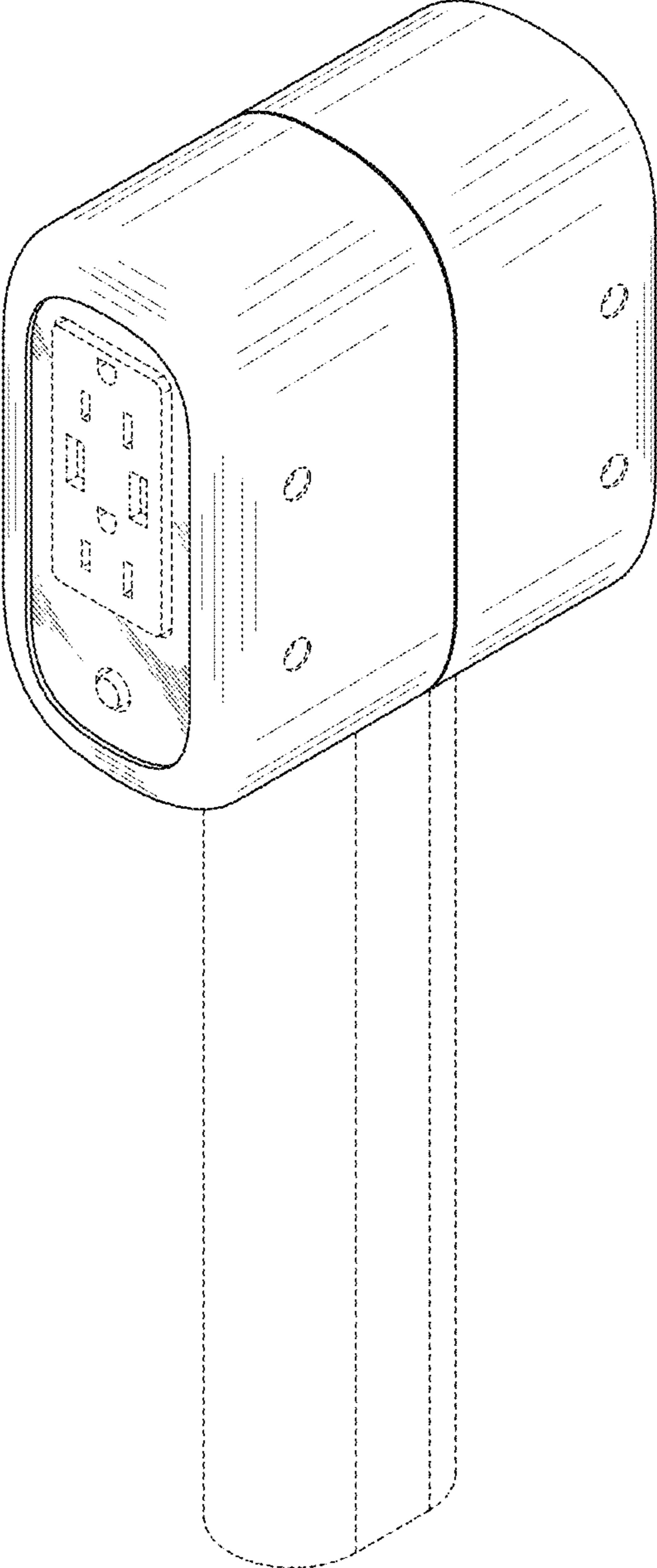


FIG. 1

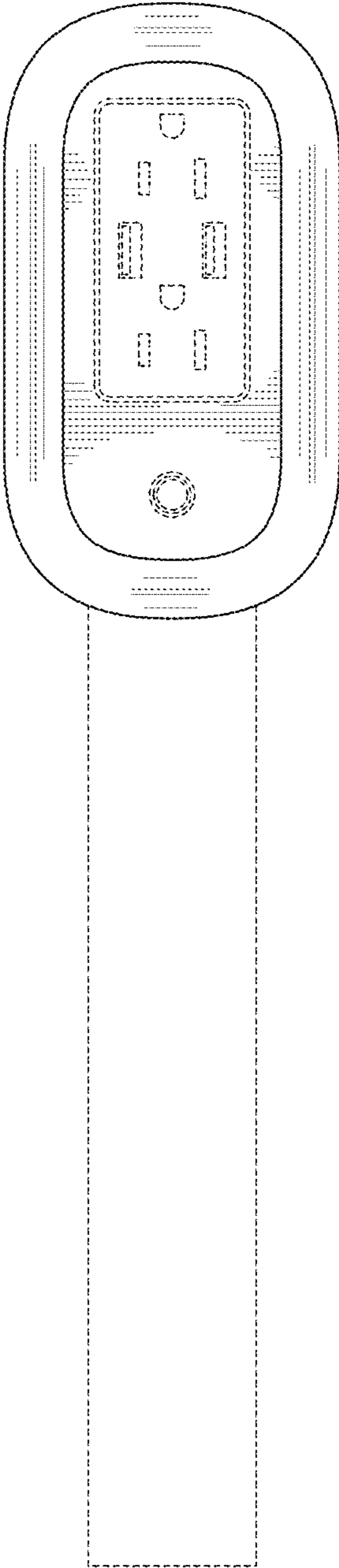


FIG. 2

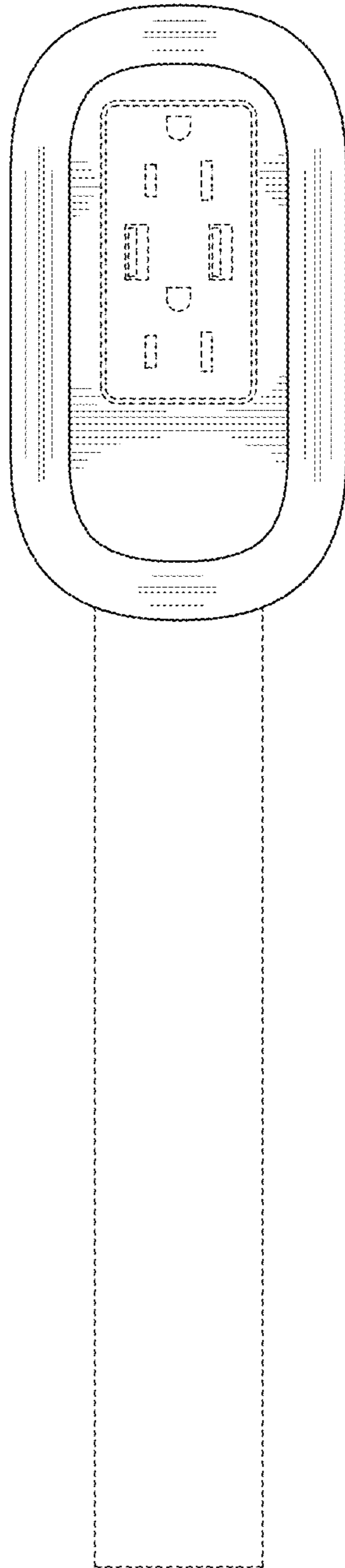


FIG. 3

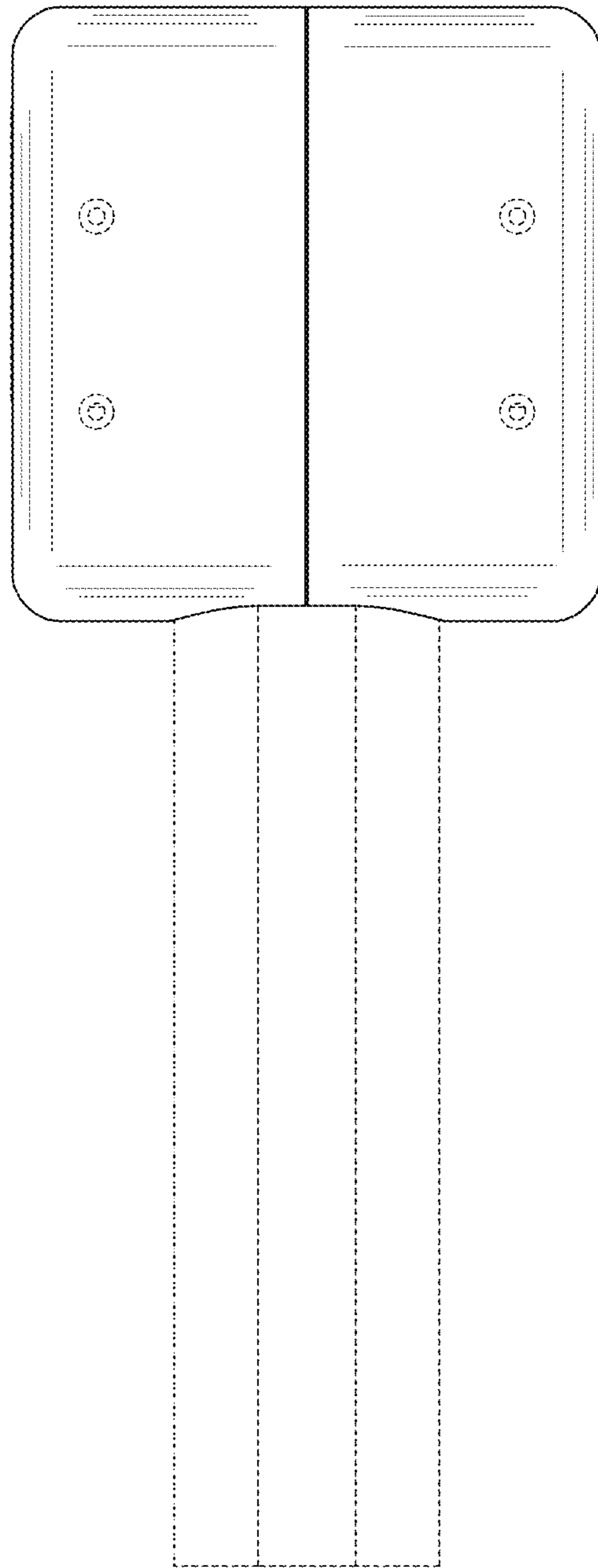


FIG. 4

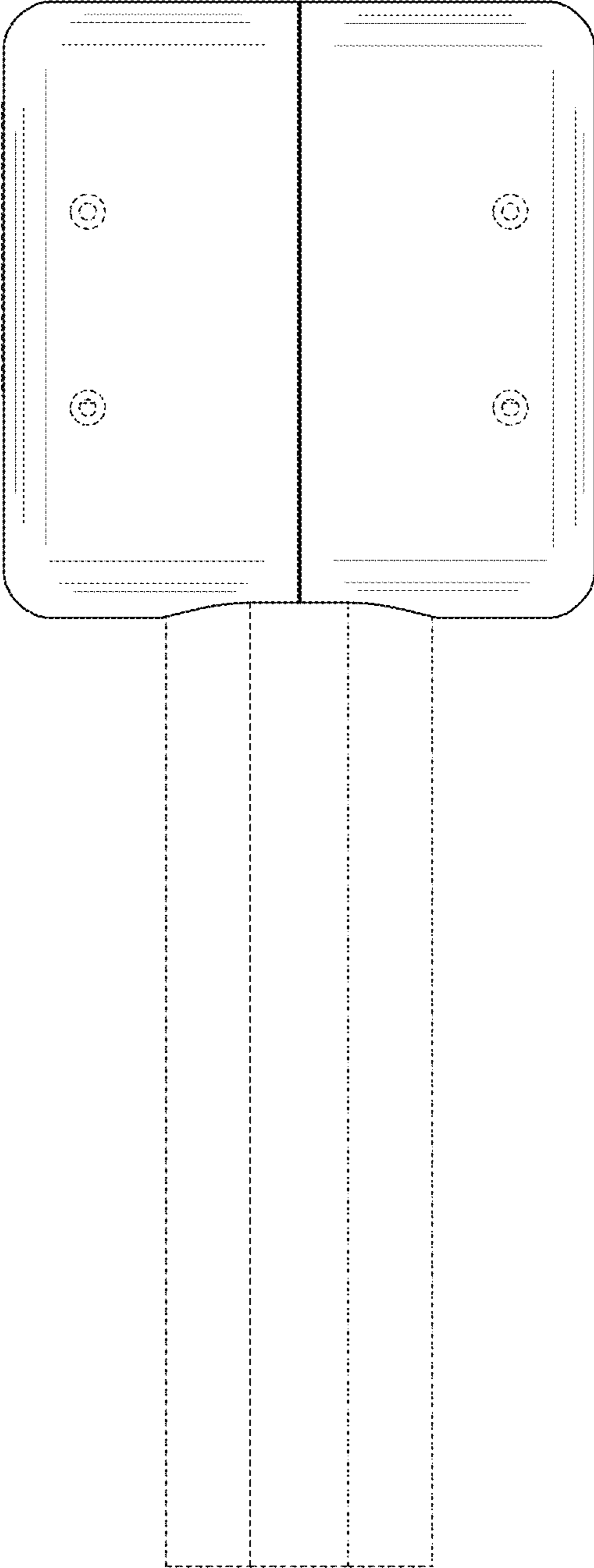


FIG. 5

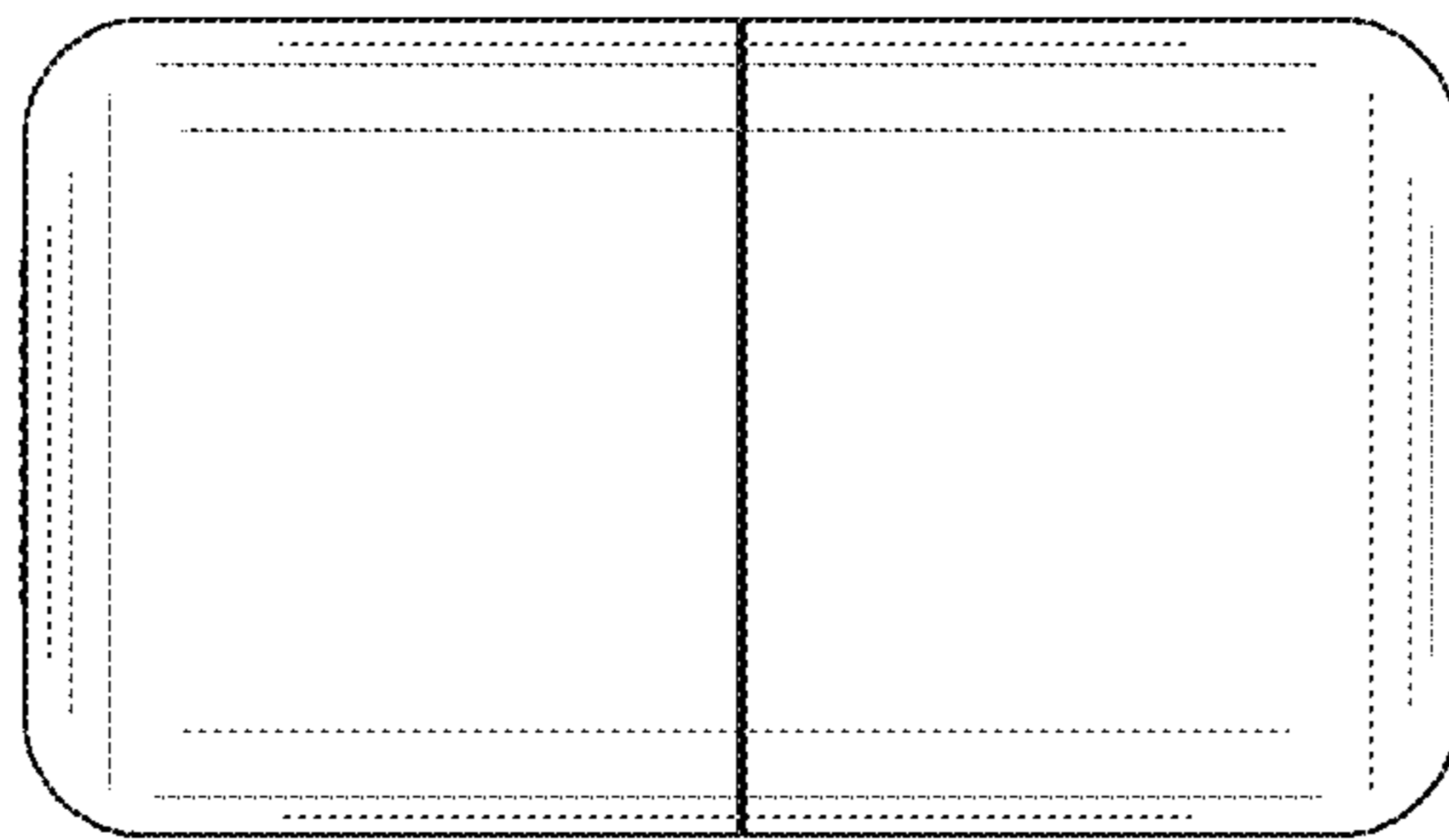


FIG. 6

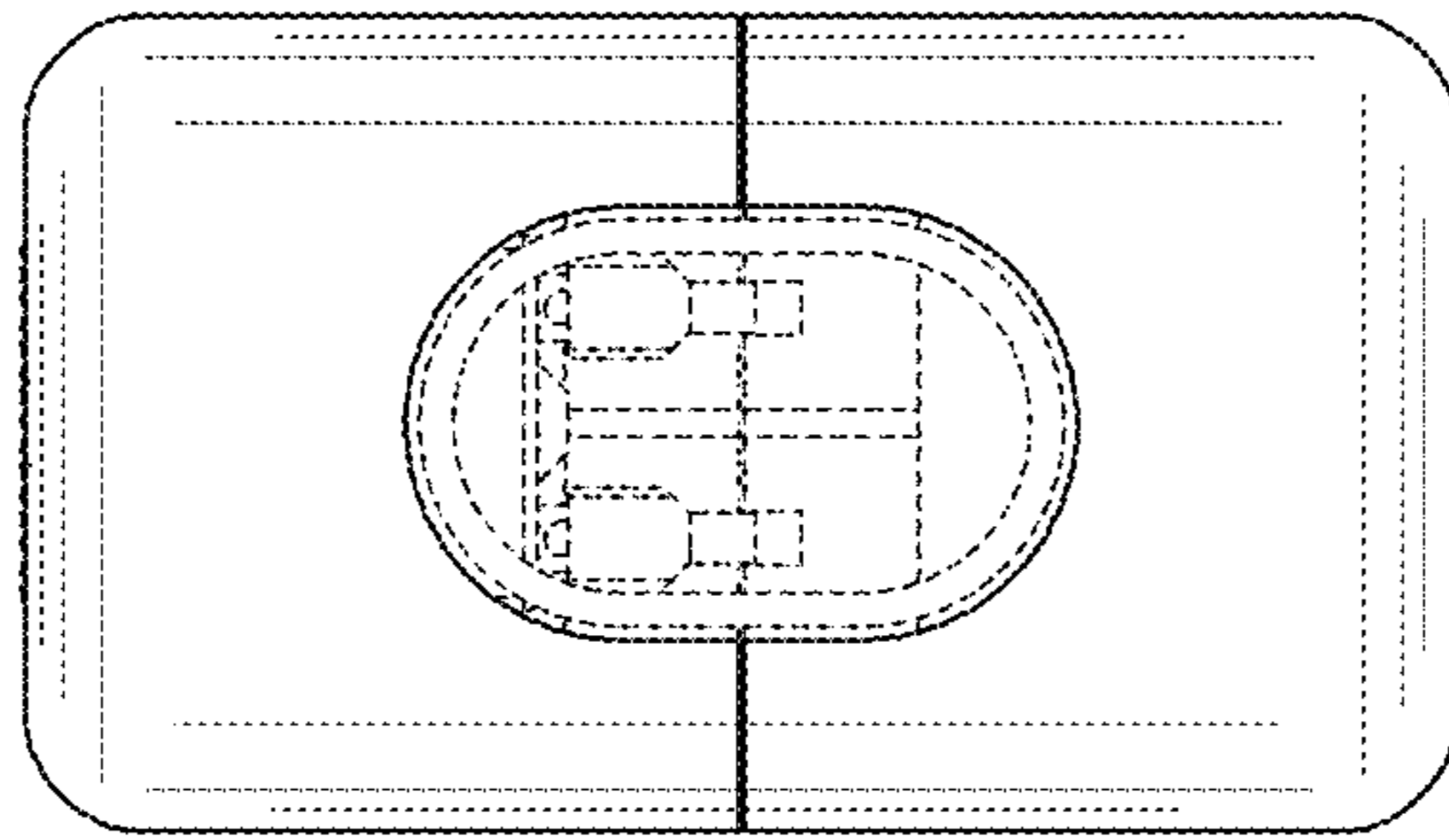


FIG. 7

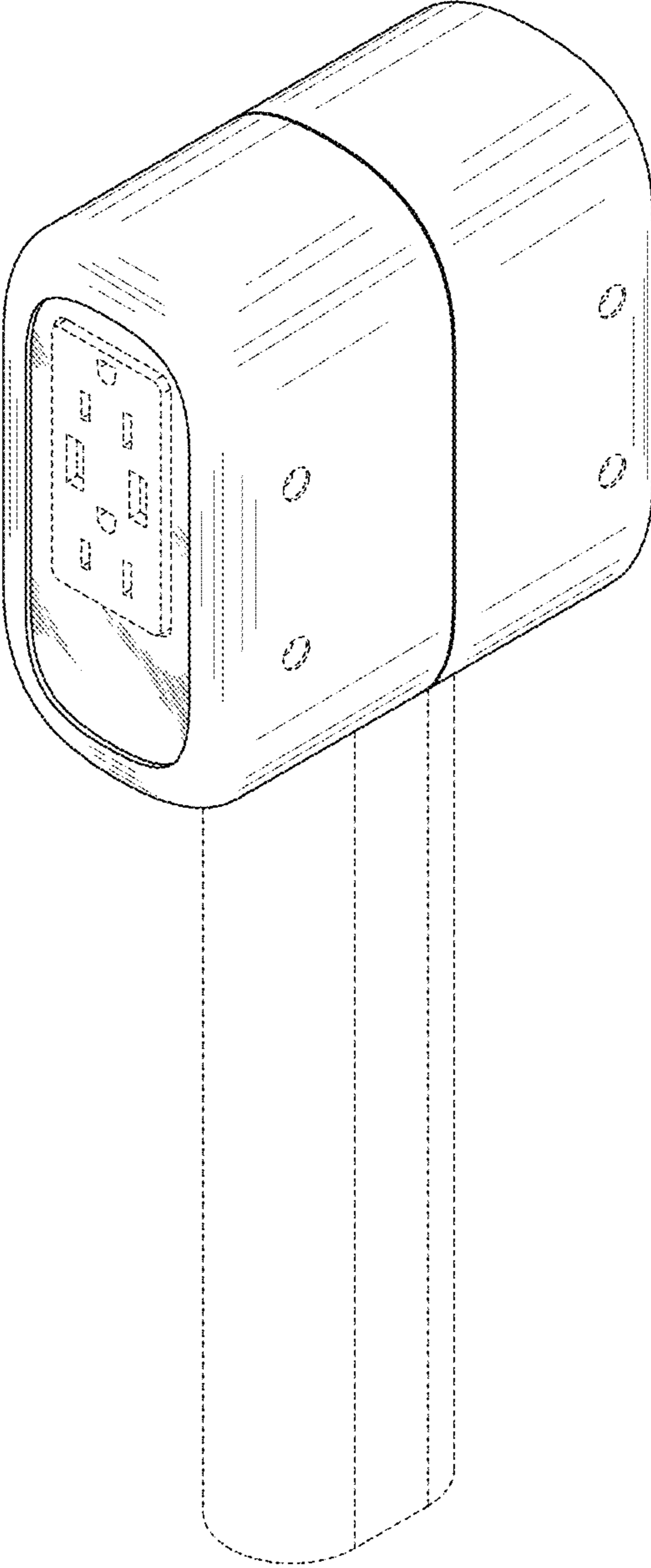


FIG. 8