



US00D901387S

(12) **United States Design Patent** (10) **Patent No.:** **US D901,387 S**
Thyagaraj et al. (45) **Date of Patent:** **** Nov. 10, 2020**

(54) **CONNECTOR**

(71) Applicant: **Molex, LLC**, Lisle, IL (US)
(72) Inventors: **Harsha Thyagaraj**, Bangalore (IN);
Pierre Perez, Aurora, IL (US)
(73) Assignee: **Molex, LLC**, Lisle, IL (US)
(**) Term: **15 Years**

(21) Appl. No.: **29/679,020**

(22) Filed: **Jan. 31, 2019**

(51) **LOC (12) Cl.** **13-03**

(52) **U.S. Cl.**
USPC **D13/133; D13/147**

(58) **Field of Classification Search**
USPC D13/133, 146, 147, 153, 154, 155
CPC H01R 13/02; H01R 13/436; H01R 13/502;
H01R 13/504; H01R 13/506; H01R
13/58; H01R 13/627; H01R 13/6315;
H01R 13/6586
See application file for complete search history.

(56) **References Cited**

U.S. PATENT DOCUMENTS

| | | | | | |
|-----------|------|---------|-----------|-------|------------------------|
| 5,169,336 | A * | 12/1992 | Taguchi | | H01R 13/64 439/354 |
| D425,869 | S * | 5/2000 | Yokomizo | | D13/147 |
| 6,241,547 | B1 * | 6/2001 | Fukuda | | H01R 13/641 439/352 |
| D655,677 | S * | 3/2012 | Gouhl | | D13/146 |
| D748,580 | S * | 2/2016 | Endo | | D13/147 |
| D748,588 | S * | 2/2016 | Endo | | D13/147 |
| D791,082 | S | 7/2017 | Li et al. | | |
| D791,705 | S * | 7/2017 | Li | | D13/147 |
| D791,706 | S * | 7/2017 | Li | | D13/147 |

(Continued)

FOREIGN PATENT DOCUMENTS

CN 304138688 5/2017
JP D1557857 9/2016

(Continued)

Primary Examiner — Karen E Kearney
Assistant Examiner — Michael Chong
(74) *Attorney, Agent, or Firm* — Banner & Witcoff, Ltd.

(57) **CLAIM**

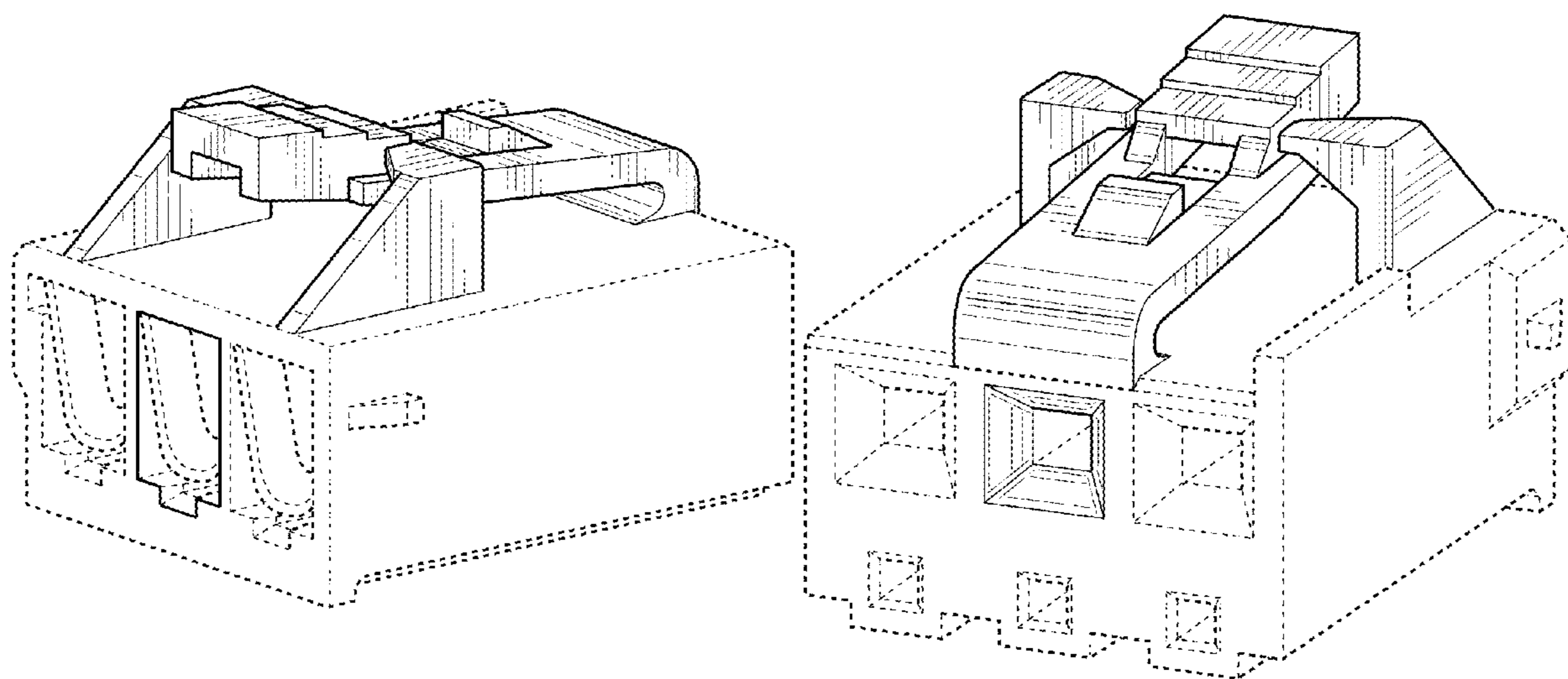
The ornamental design for a connector, as shown and described.

DESCRIPTION

FIG. 1 is a front right perspective view of a connector showing our new design;
FIG. 2 is a front left perspective view thereof;
FIG. 3 is a rear perspective view thereof;
FIG. 4 is a front view thereof;
FIG. 5 is a rear view thereof;
FIG. 6 is a right side view thereof;
FIG. 7 is a left side view thereof;
FIG. 8 is a top view thereof;
FIG. 9 is a bottom view thereof;
FIG. 10 is a front right perspective view of the claimed regions of the connector of FIGS. 1-9 shown on a connector with alternate environmental disclaimed features;
FIG. 11 is a front left perspective view thereof;
FIG. 12 is a rear perspective view thereof;
FIG. 13 is a front view thereof;
FIG. 14 is a rear view thereof;
FIG. 15 is a right side view thereof;
FIG. 16 is a left side view thereof;
FIG. 17 is a top view thereof; and,
FIG. 18 is a bottom view thereof.

The broken lines immediately adjacent to the shaded areas on the latch front and rear regions represent the bounds of the claimed design and form no part thereof. The broken lines depicting the remainder of the connector show features that form no part of the claimed design.

1 Claim, 18 Drawing Sheets



(56)

References Cited

U.S. PATENT DOCUMENTS

| | | | | | |
|------------|---|---------|----|-------|---------|
| D791,707 S | * | 7/2017 | Li | | D13/147 |
| D792,851 S | * | 7/2017 | Li | | D13/147 |
| D792,852 S | * | 7/2017 | Li | | D13/147 |
| D792,853 S | * | 7/2017 | Li | | D13/147 |
| D802,538 S | * | 11/2017 | Li | | D13/147 |
| D803,162 S | * | 11/2017 | Li | | D13/147 |

FOREIGN PATENT DOCUMENTS

| | | |
|----|-------------|----------|
| TW | D192202 | 8/2018 |
| WO | D207799-020 | * 5/2020 |

* cited by examiner

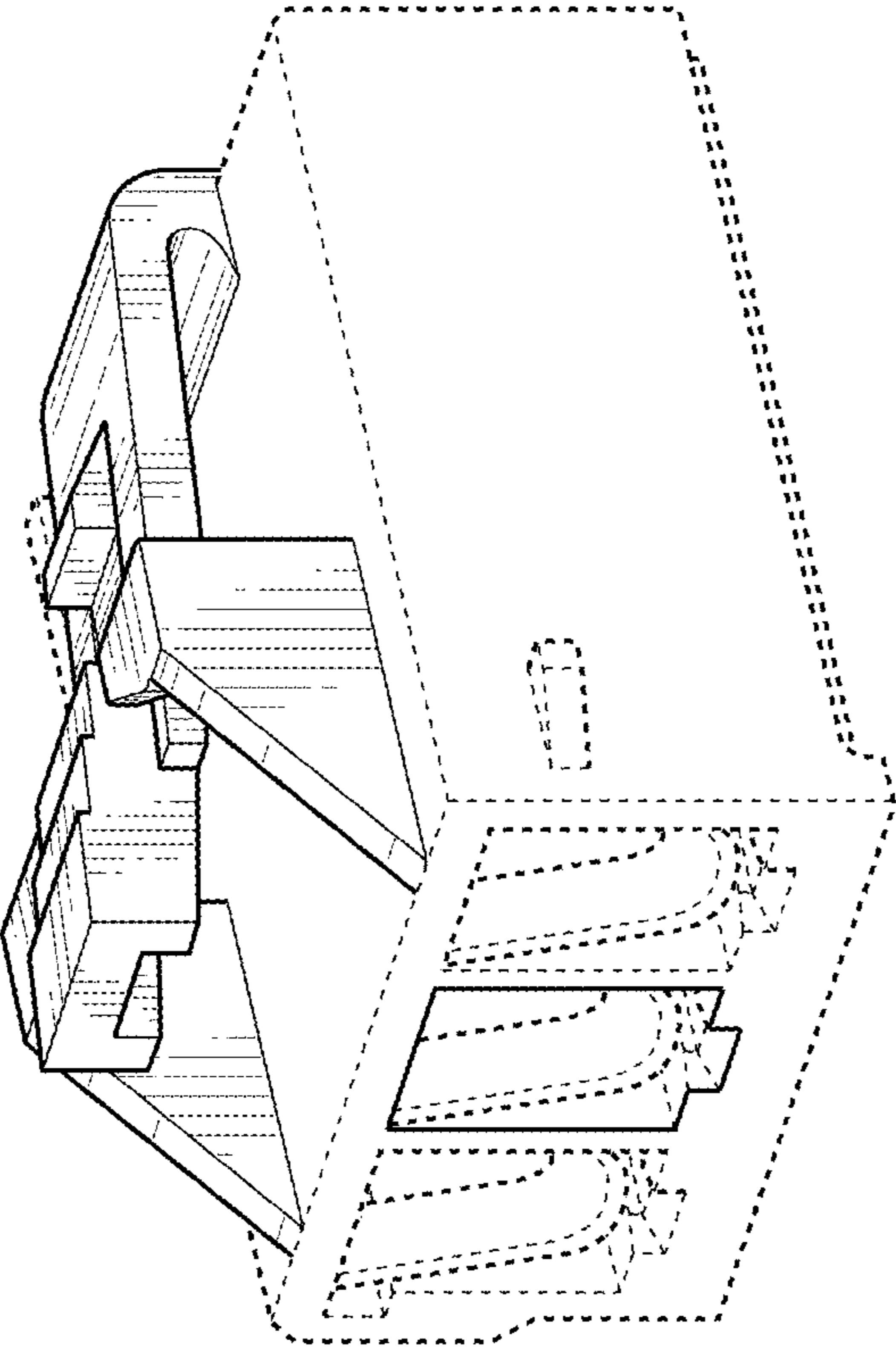


FIG. 1

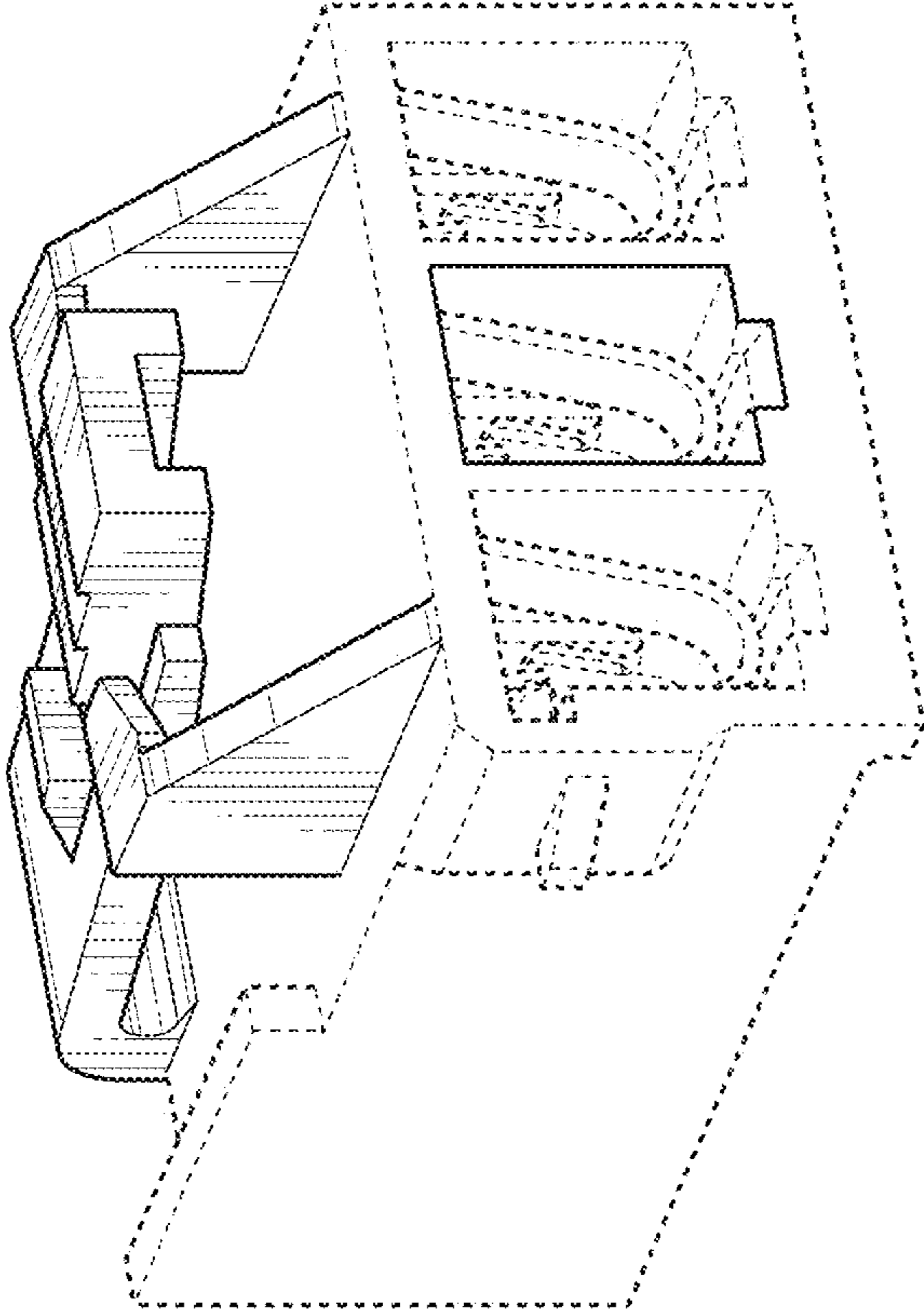


FIG. 2

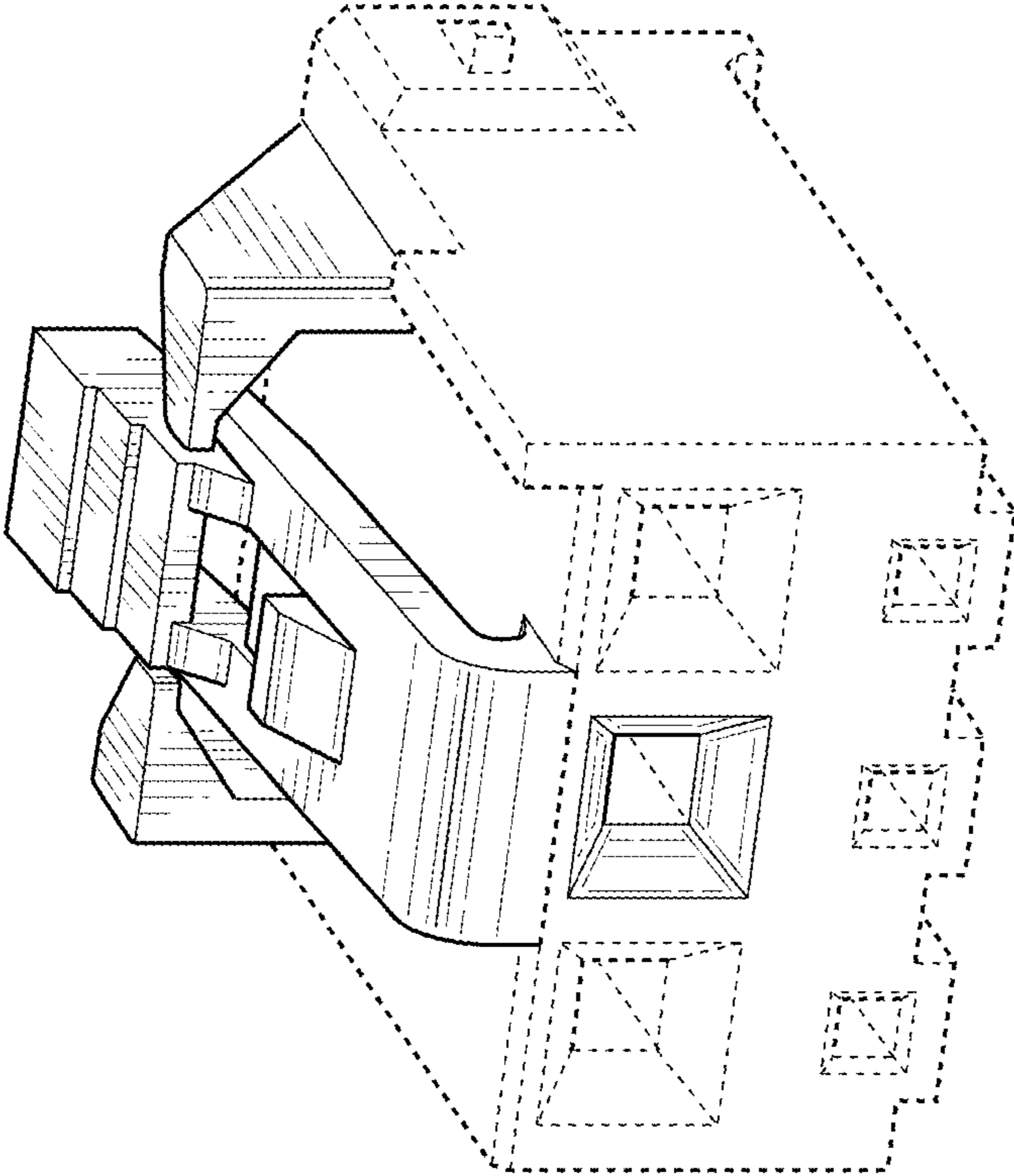


FIG. 3

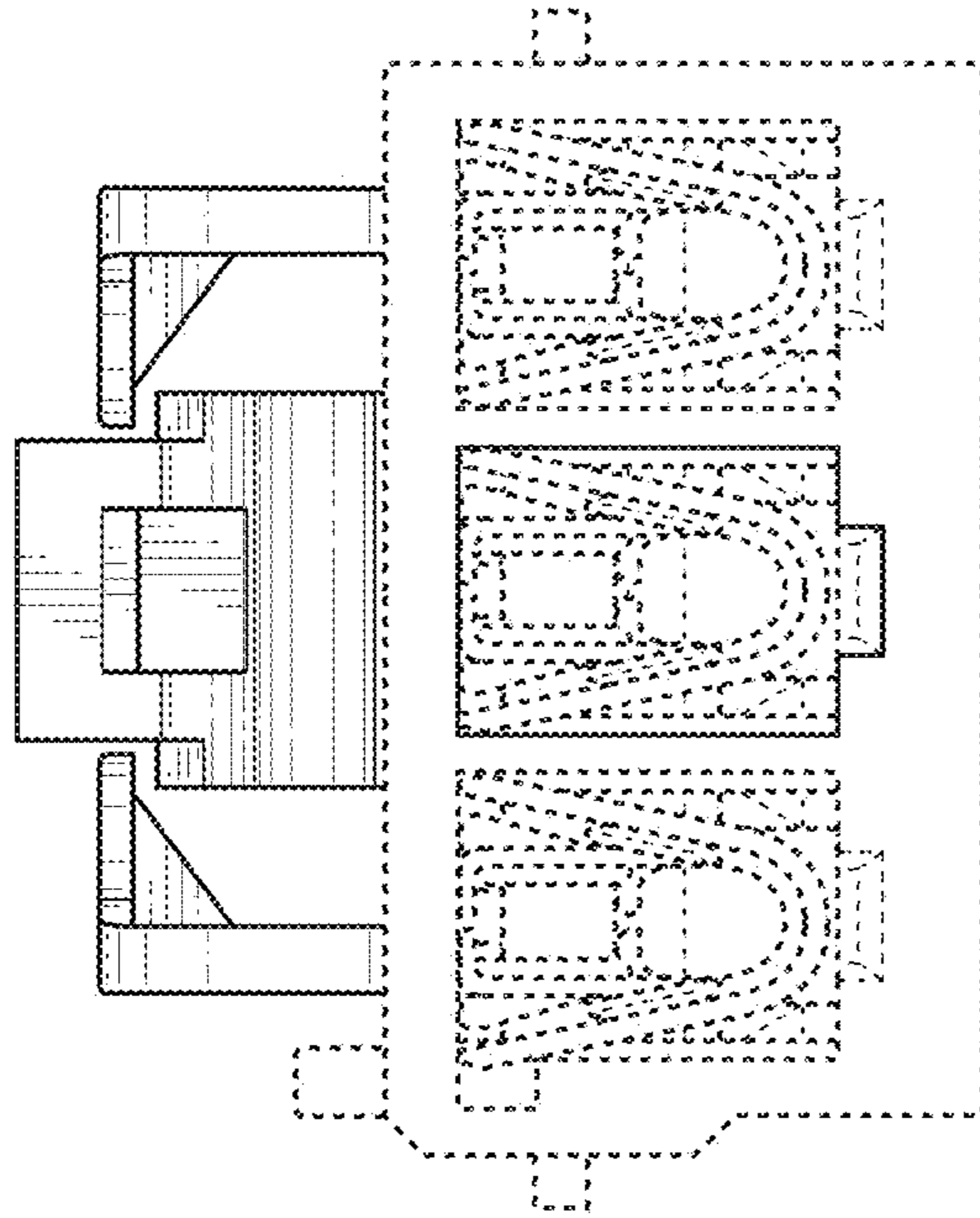


FIG. 4

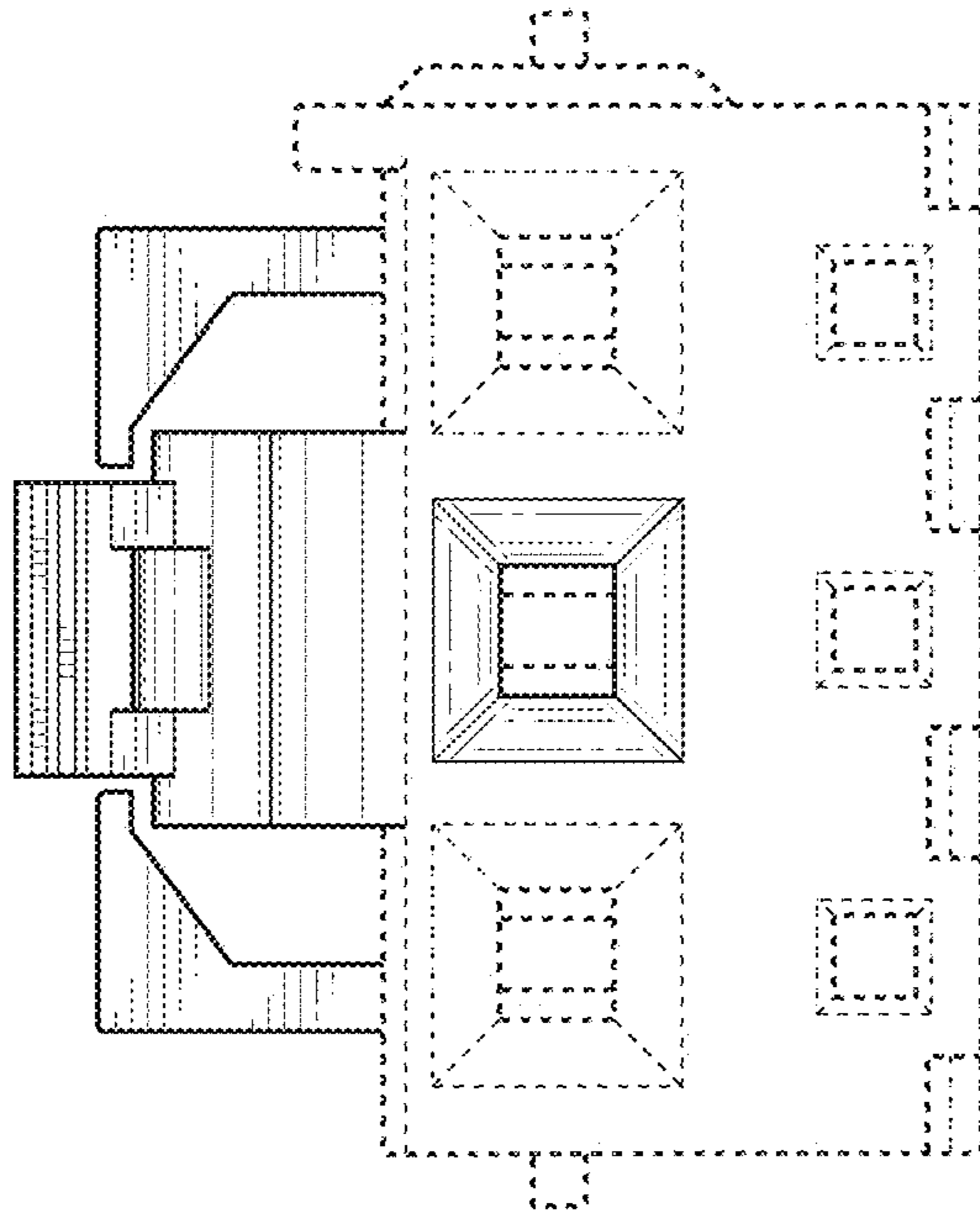


FIG. 5

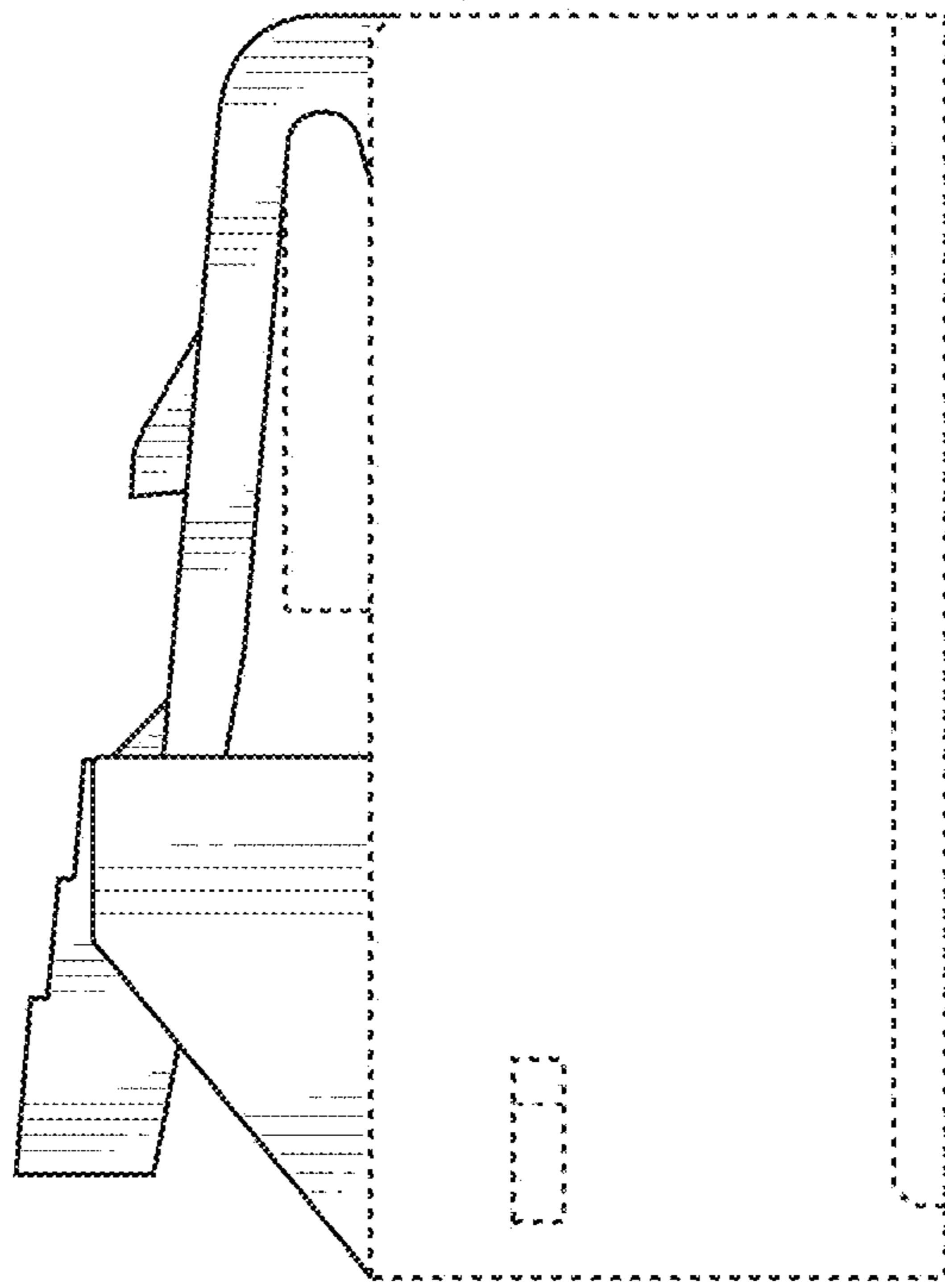


FIG. 6

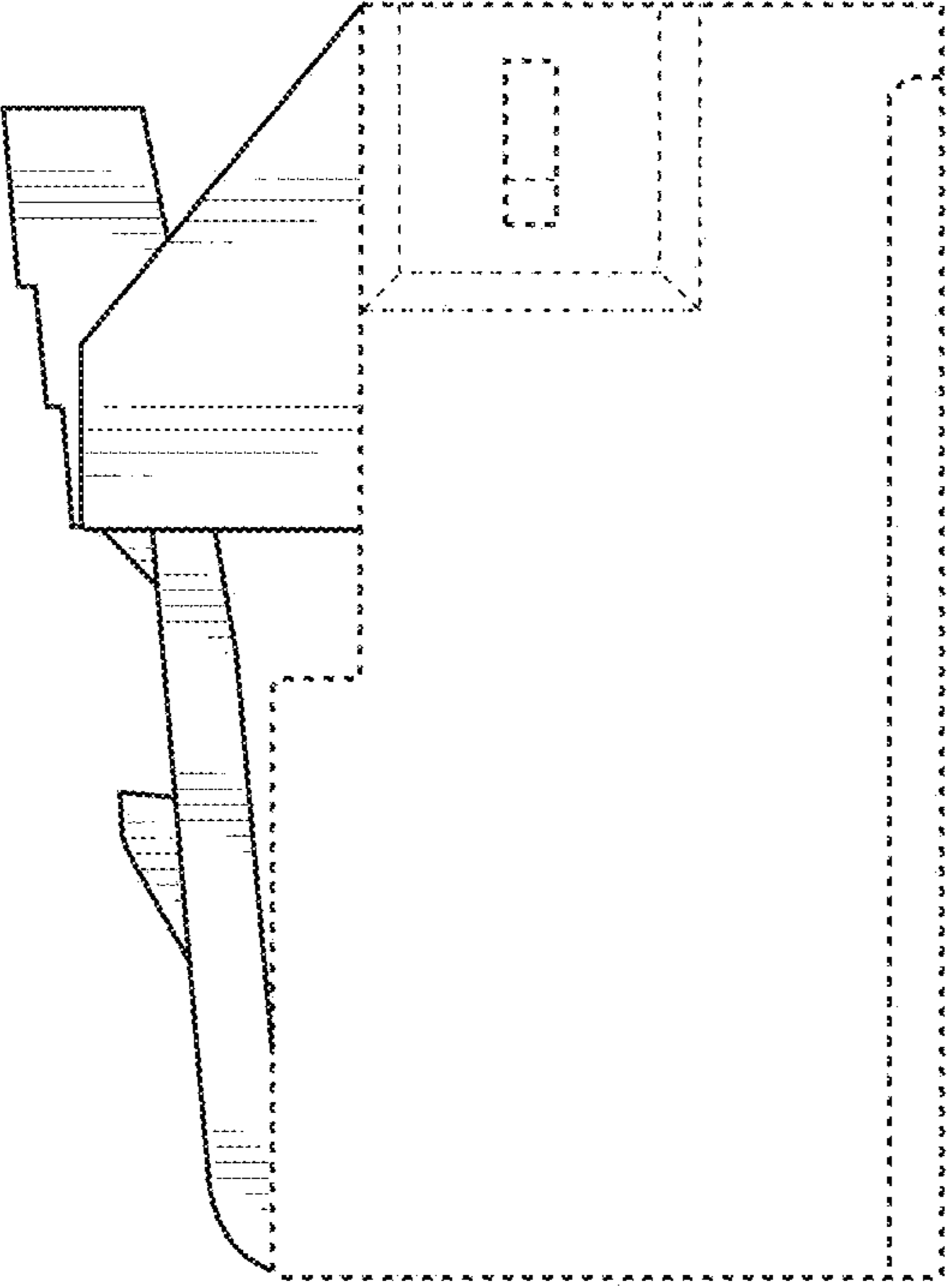


FIG. 7

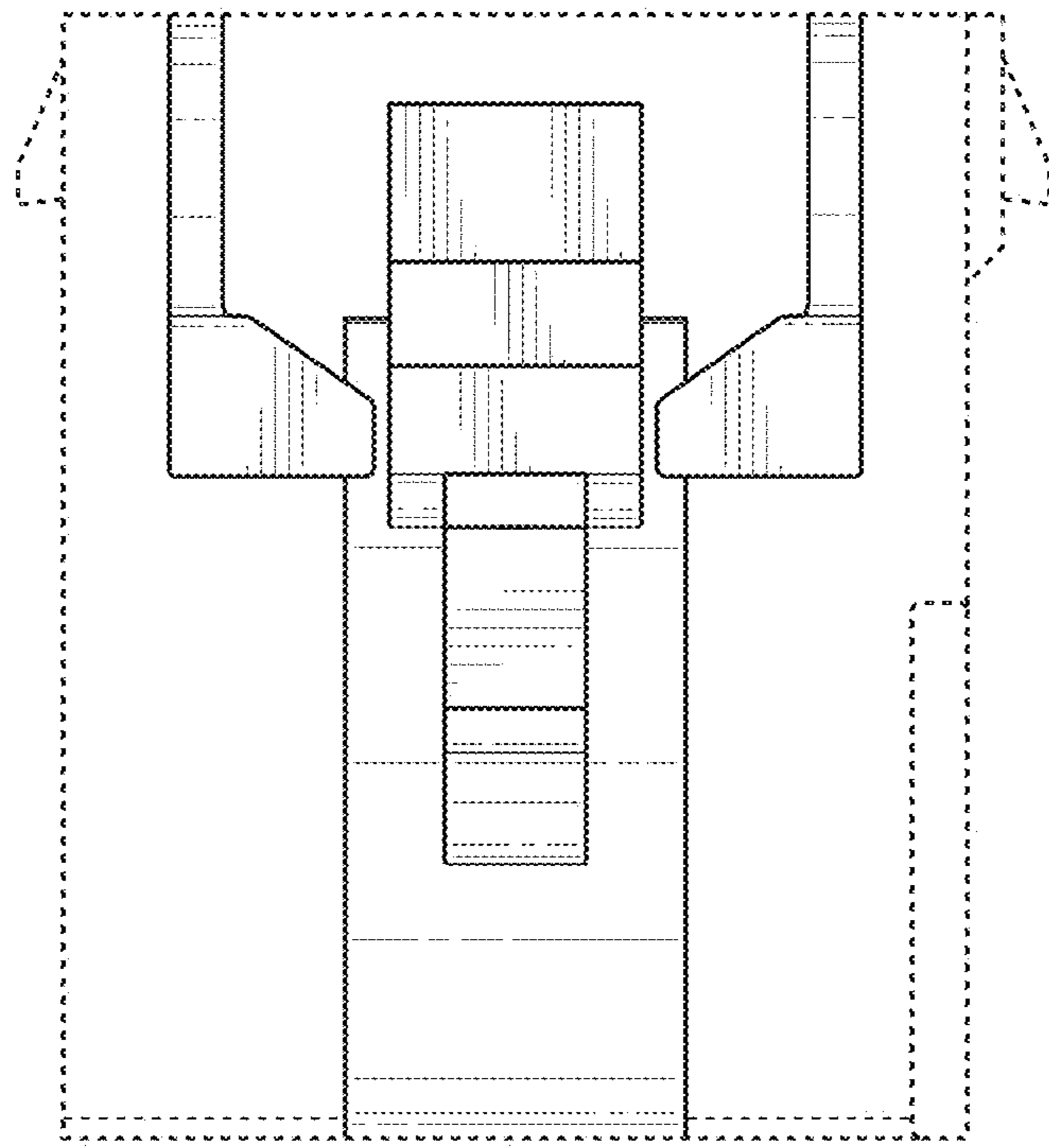


FIG. 8

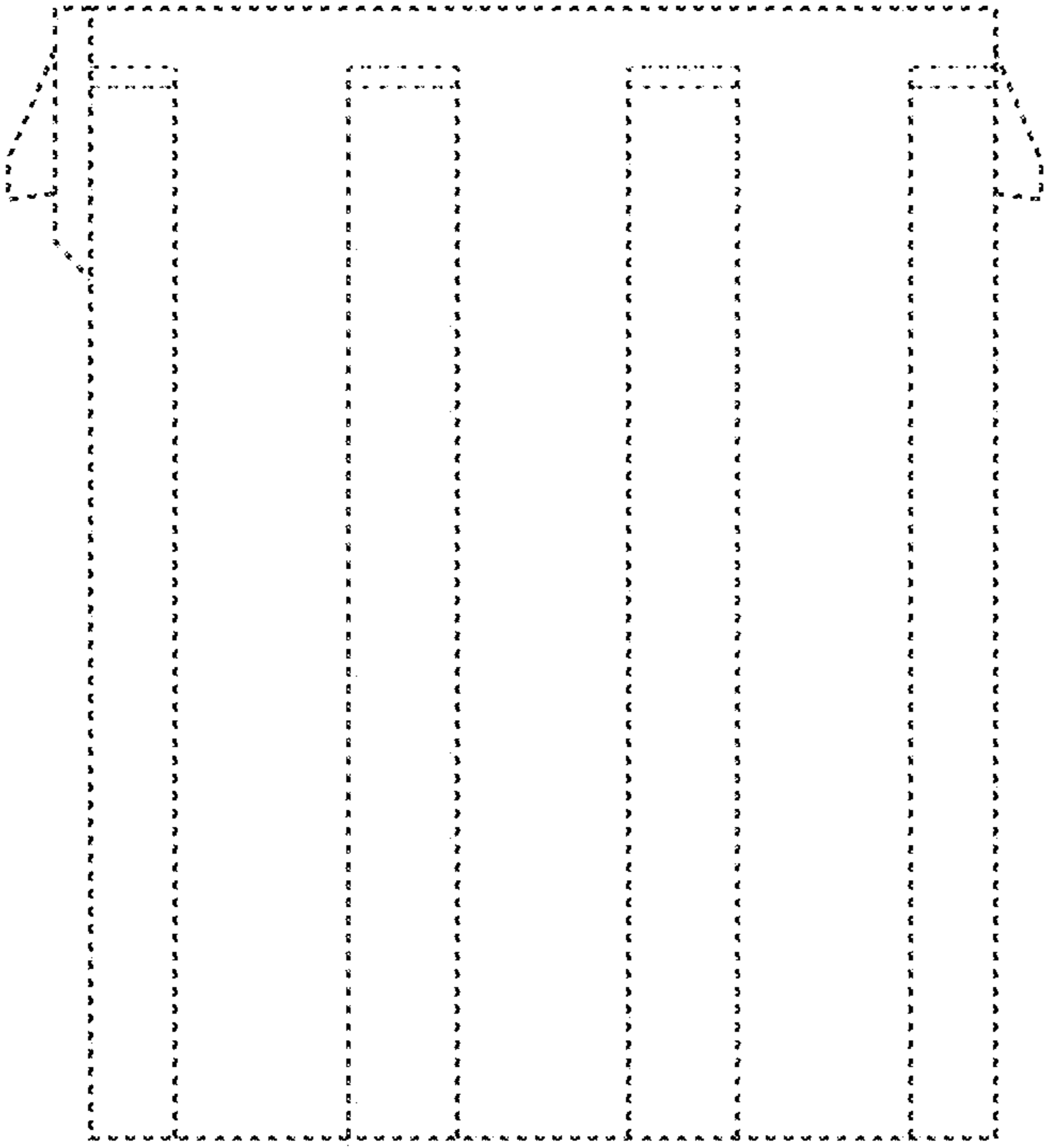


FIG. 9

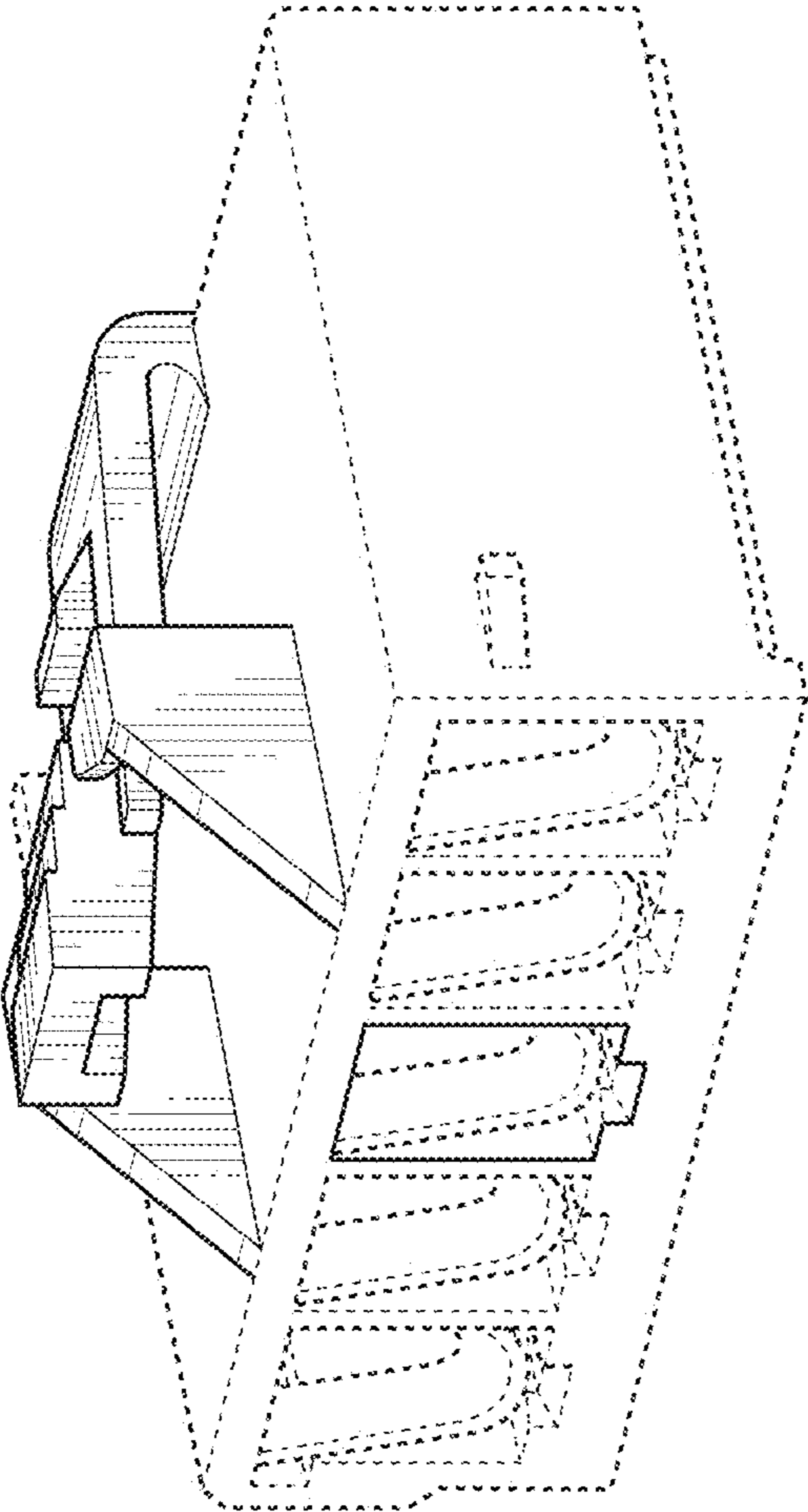


FIG. 10

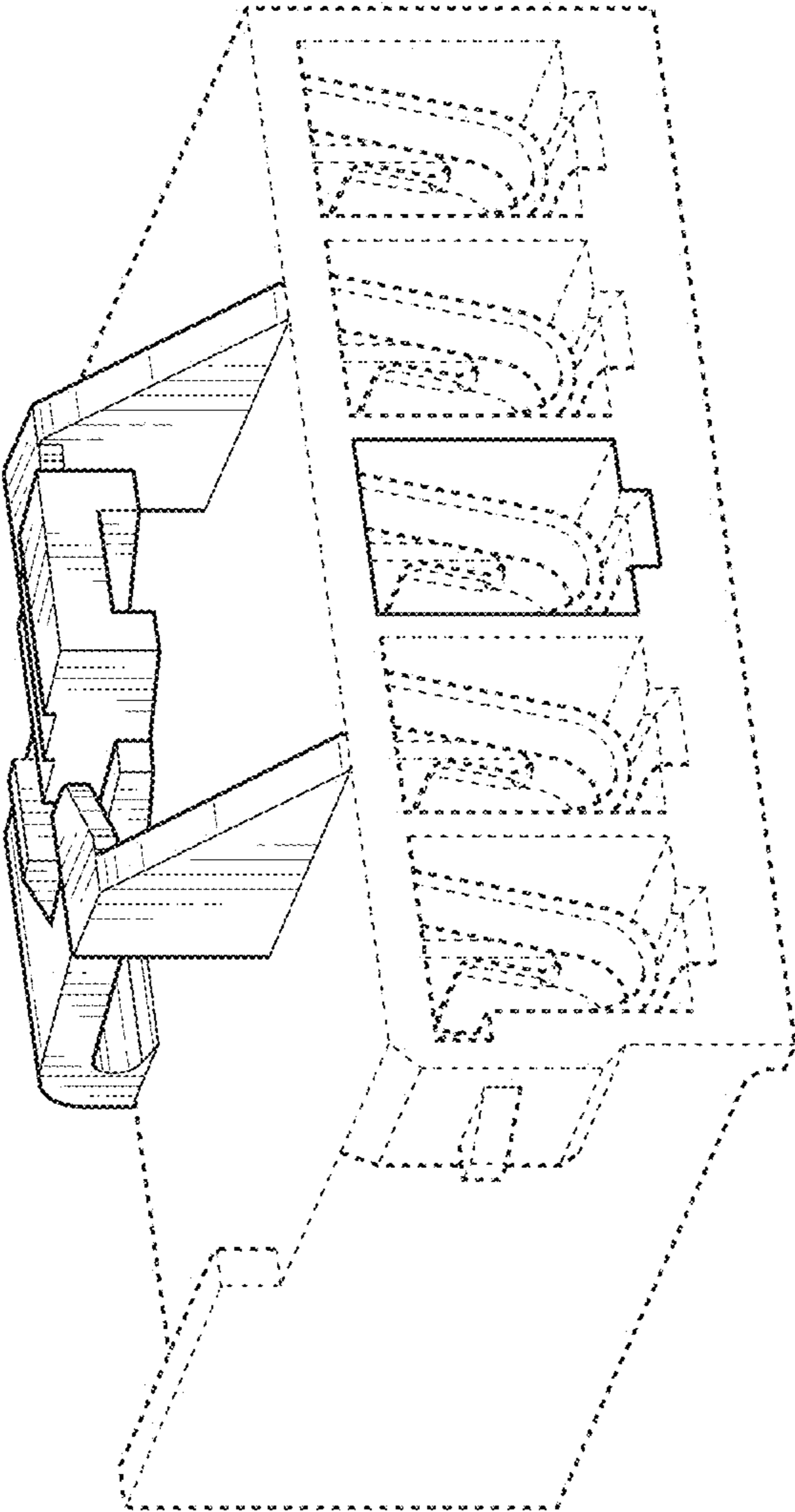


FIG. 11

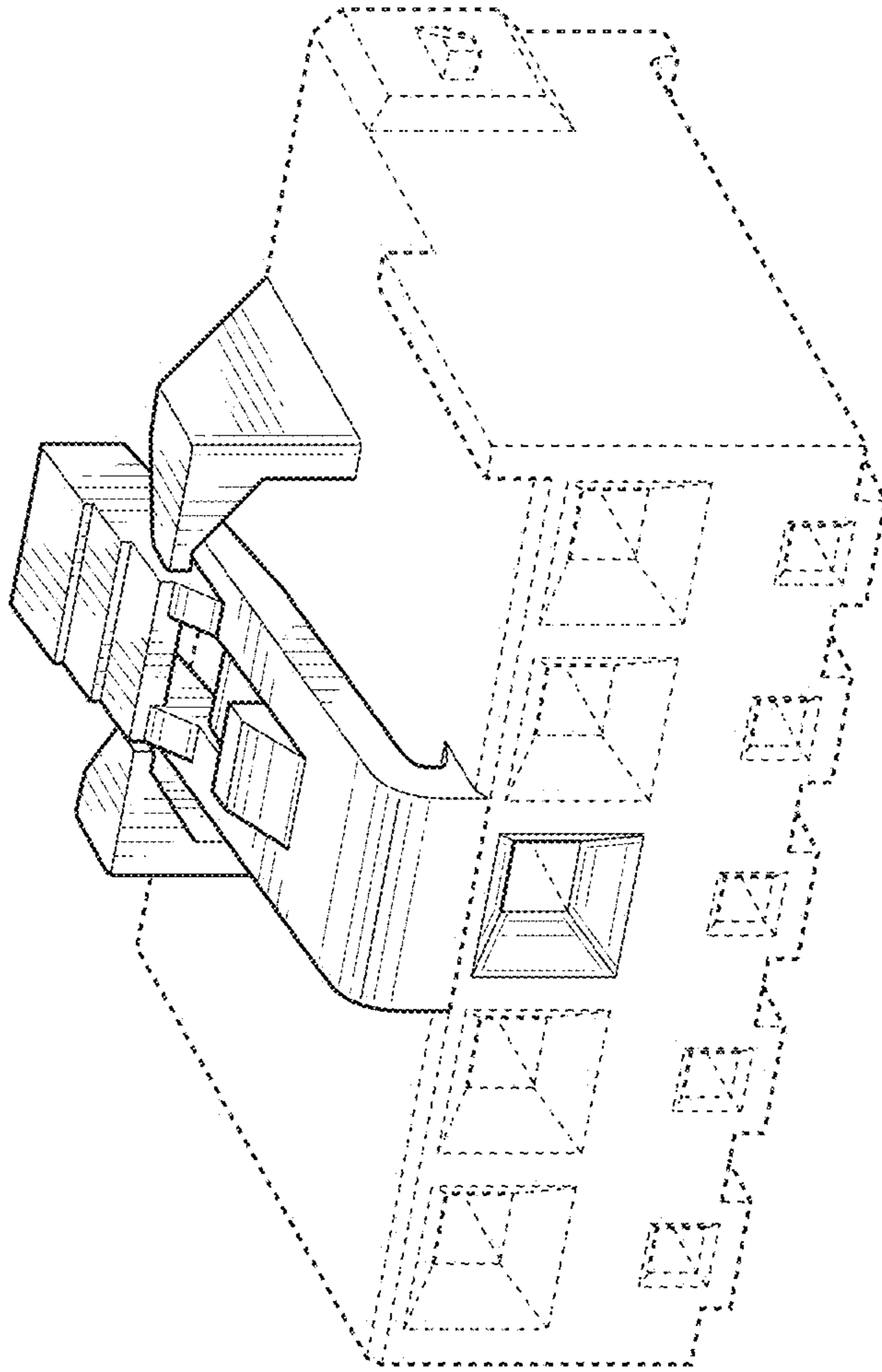


FIG. 12

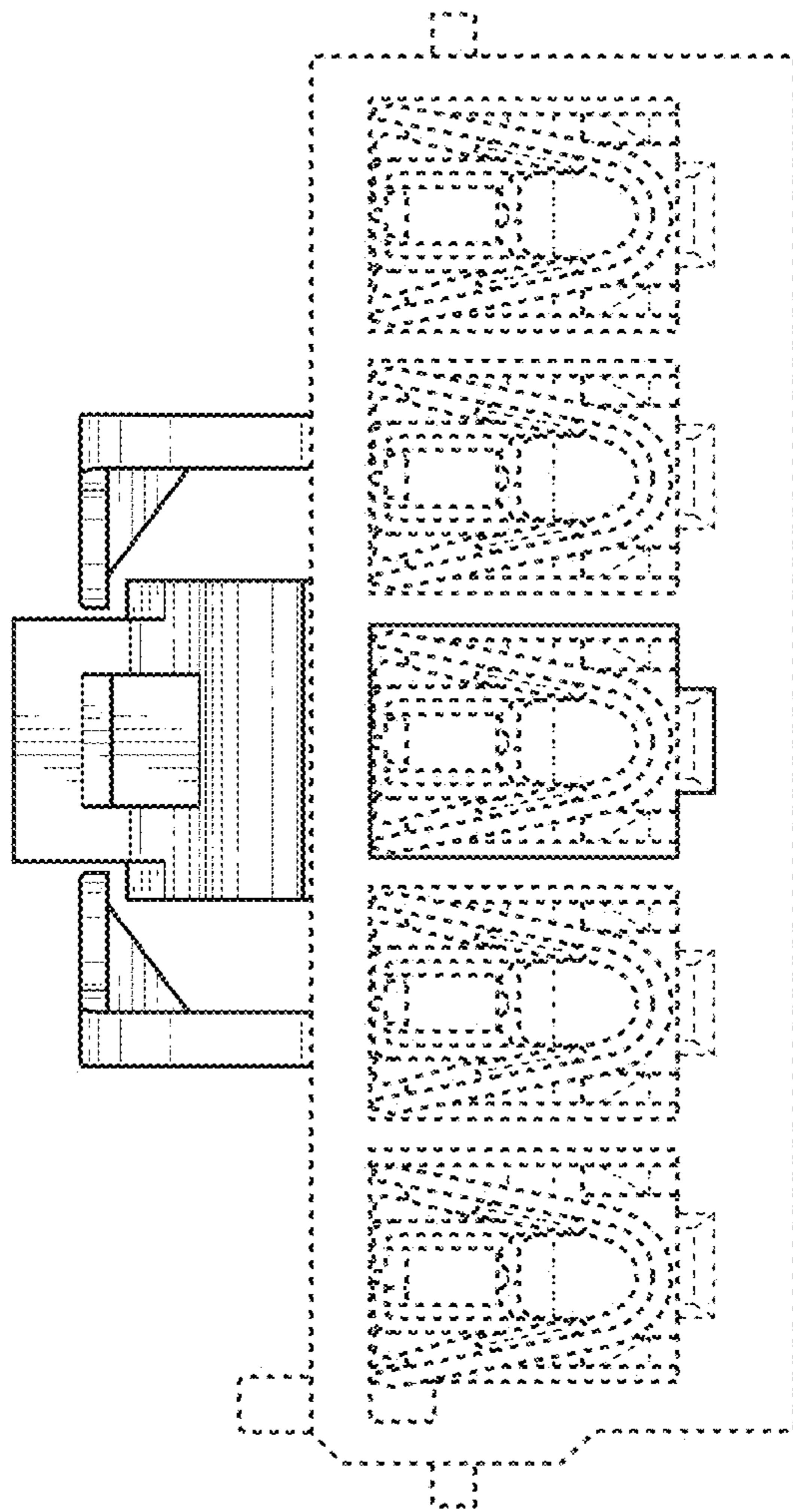


FIG. 13

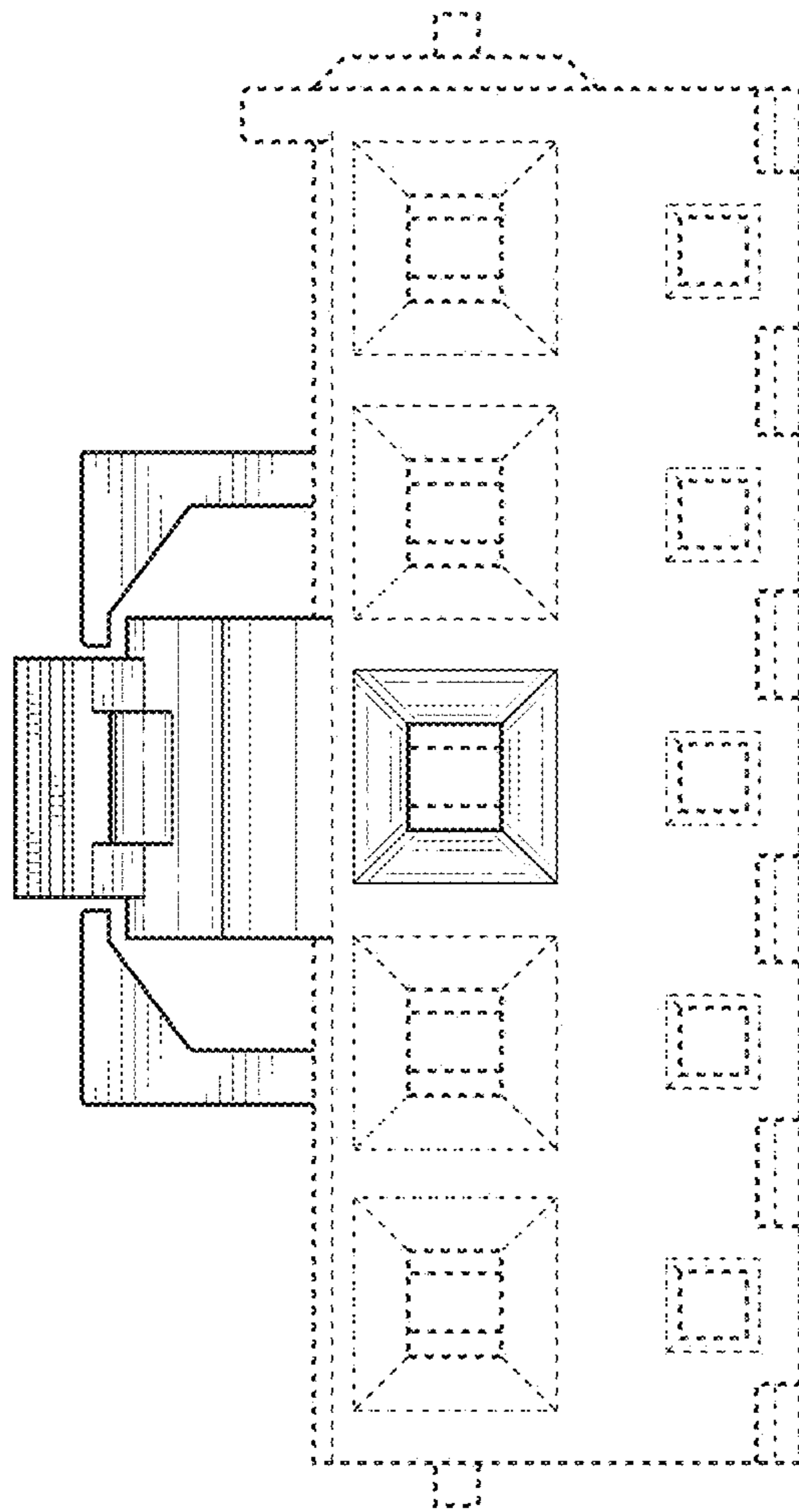


FIG. 14

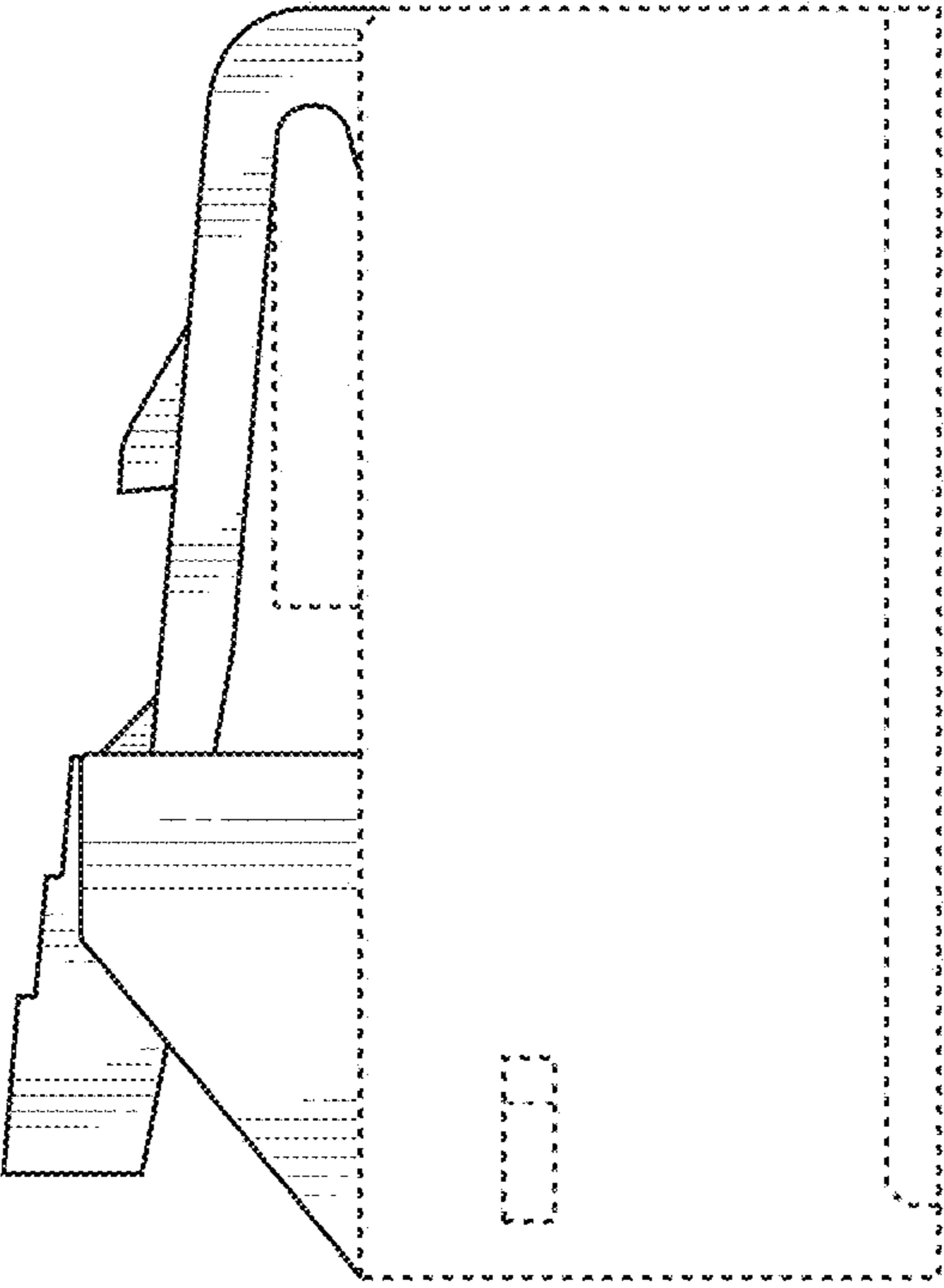


FIG. 15

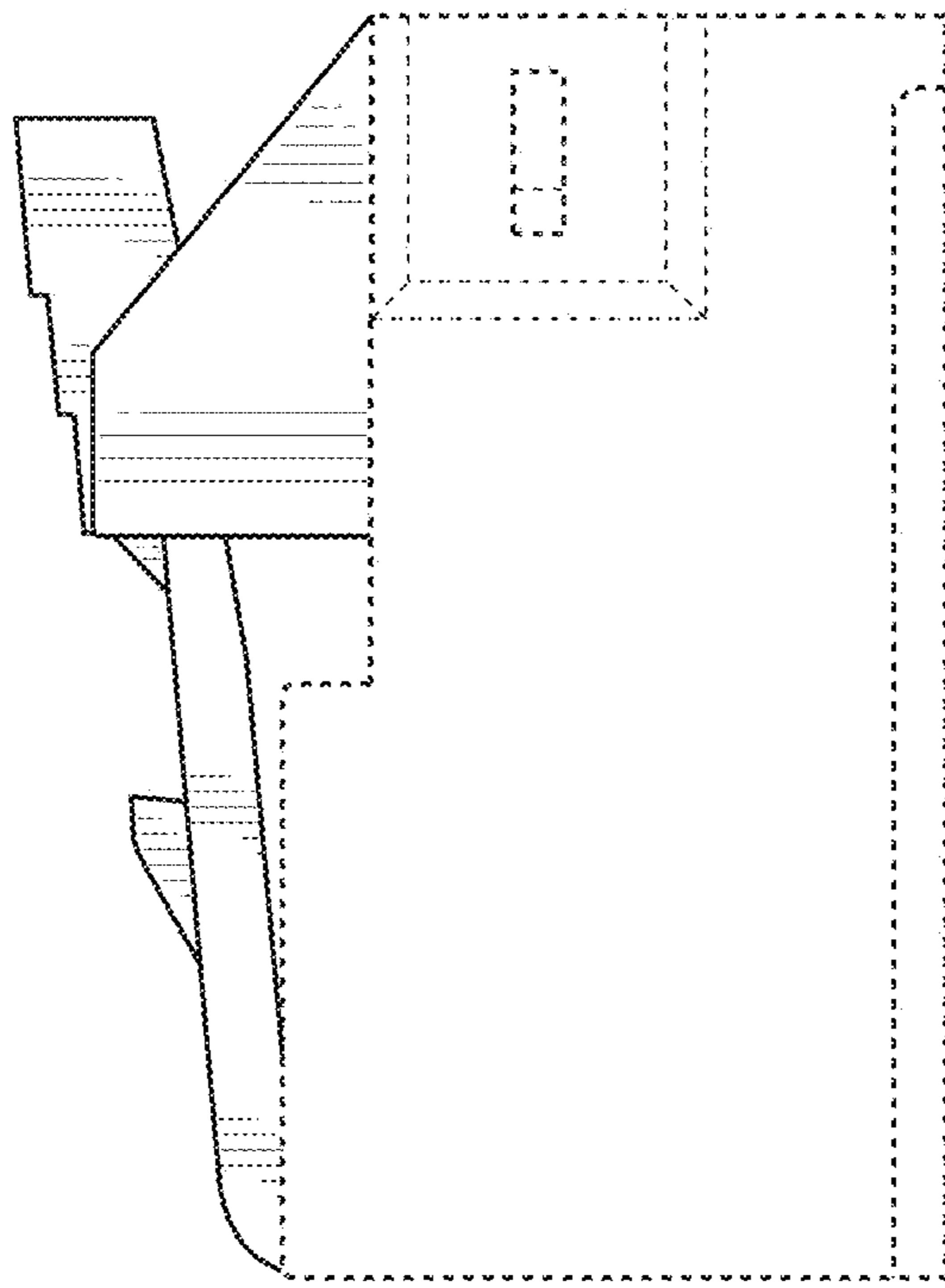


FIG. 16

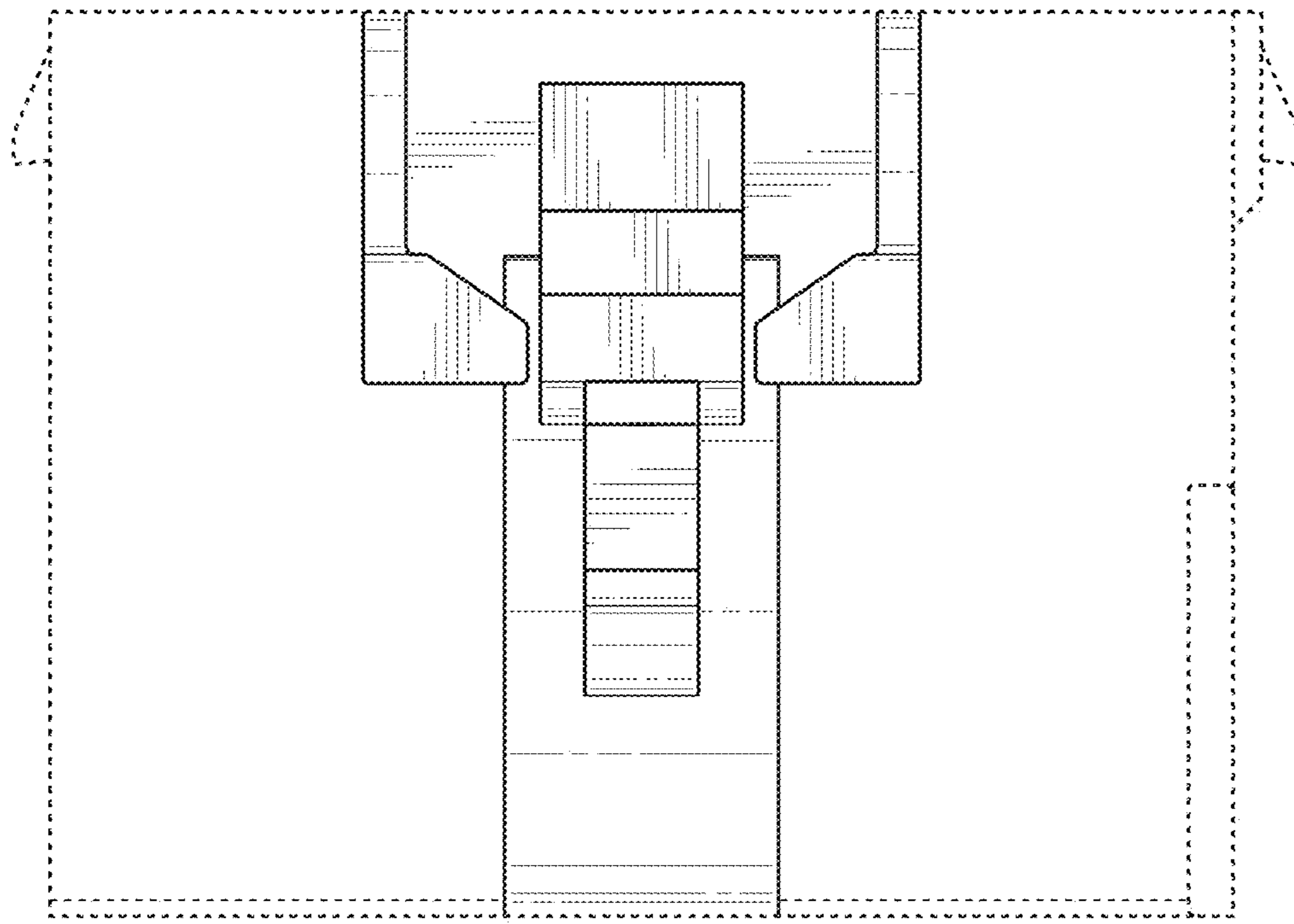


FIG. 17

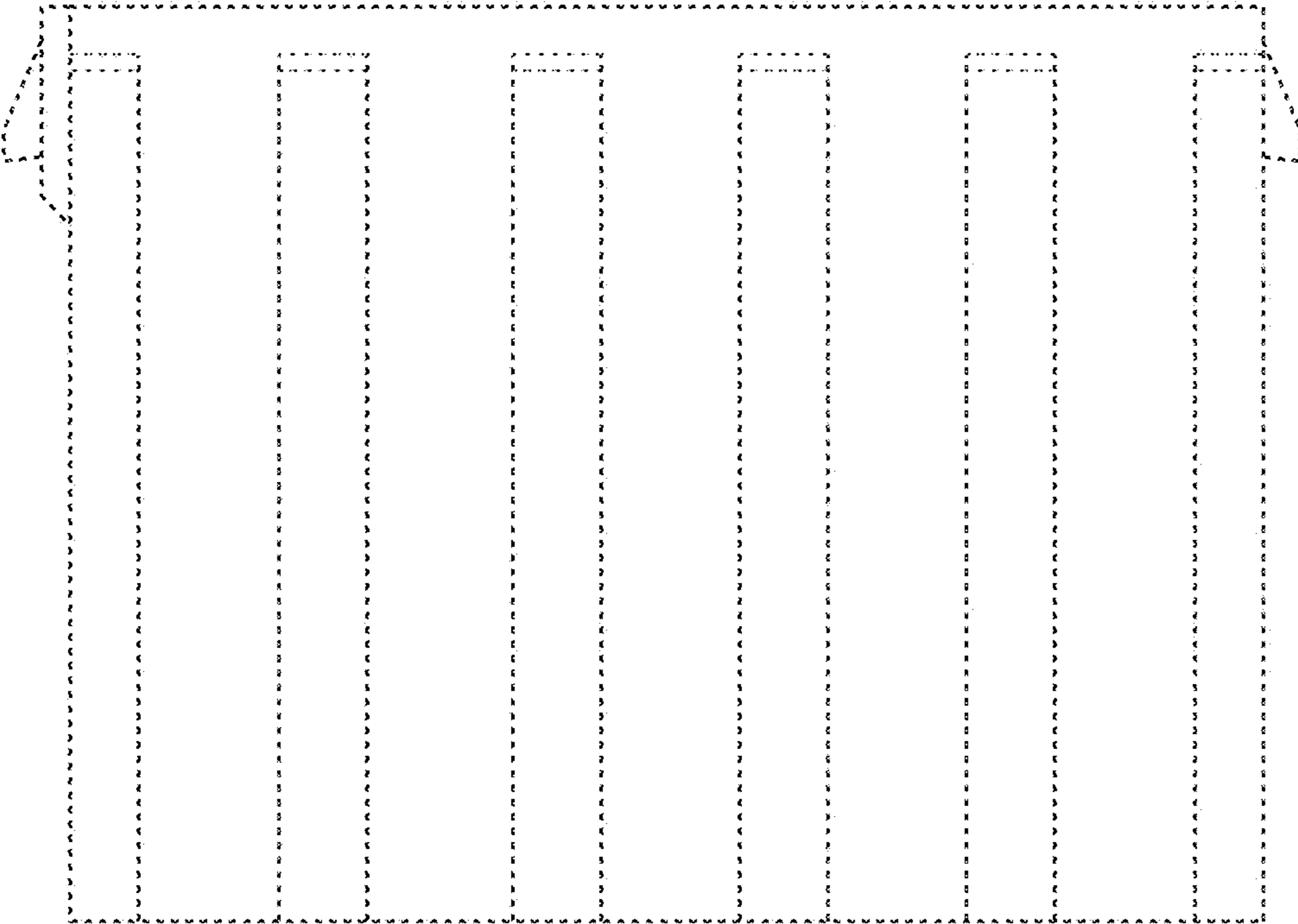


FIG. 18