



US00D901386S

(12) **United States Design Patent**
Chen et al.

(10) **Patent No.:** **US D901,386 S**
(45) **Date of Patent:** **** Nov. 10, 2020**

(54) **CONDENSER**

(71) Applicant: **SHENG YE ELECTRIC CO., LTD,**
Guangdong (CN)

(72) Inventors: **Wenjun Chen**, Guangdong (CN);
Chaolin Chen, Guangdong (CN);
Zhiyong Huang, Guangdong (CN)

(73) Assignee: **SHENG YE ELECTRIC CO., LTD,**
Foshan (CN)

(**) Term: **15 Years**

(21) Appl. No.: **29/691,787**

(22) Filed: **May 20, 2019**

(51) **LOC (12) Cl.** **13-03**

(52) **U.S. Cl.**
USPC **D13/125**

(58) **Field of Classification Search**
USPC D13/123-132, 184, 199; D15/5
CPC F25B 39/04; F28D 15/0266; H01G 2/14;
H01G 4/06; H01G 4/30; H01G 4/228;
H01G 4/38; H01G 9/02; H01G 9/07;
H01G 9/08

See application file for complete search history.

(56) **References Cited**

U.S. PATENT DOCUMENTS

1,861,006	A *	5/1932	Goodman	H01G 4/32 361/329
D140,550	S *	3/1945	Reger	D15/5
2,469,451	A *	5/1949	Burrus	F16L 3/13 248/222.12
2,591,644	A *	4/1952	Wadsworth	H01G 5/12 361/295
D181,247	S *	10/1957	Carroll et al.	D15/5
D310,816	S *	9/1990	Sawato	D13/112
D543,997	S *	6/2007	Nimberger	D15/5
D549,732	S *	8/2007	Nimberger	D15/5
D553,156	S *	10/2007	Nimberger	D15/5

D729,164	S *	5/2015	Chen	D13/124
D823,253	S *	7/2018	Chen	D13/125
D877,200	S *	3/2020	Melde	D15/5
D892,741	S *	8/2020	Biere	D13/124

FOREIGN PATENT DOCUMENTS

DE	102006012406	A1 *	9/2007	H01G 2/08
EP	0332411	A2 *	9/1989	H05K 3/3426
FR	2959588	A1 *	11/2011	H01G 2/14
GB	422677	A *	1/1935	H01G 4/005
WO	WO-2012059977	A1 *	5/2012	H01G 2/08

OTHER PUBLICATIONS

Sheng Ye Electric Co., Ltd. Link: <http://en.shengye.com/Private/Files/20171130/6364762927077684096242061.pdf>. Nov. 30, 2017. Heavy-duty AC filter capacitor-FFC3. (Year: 2017).*

* cited by examiner

Primary Examiner — Lauren D McVey

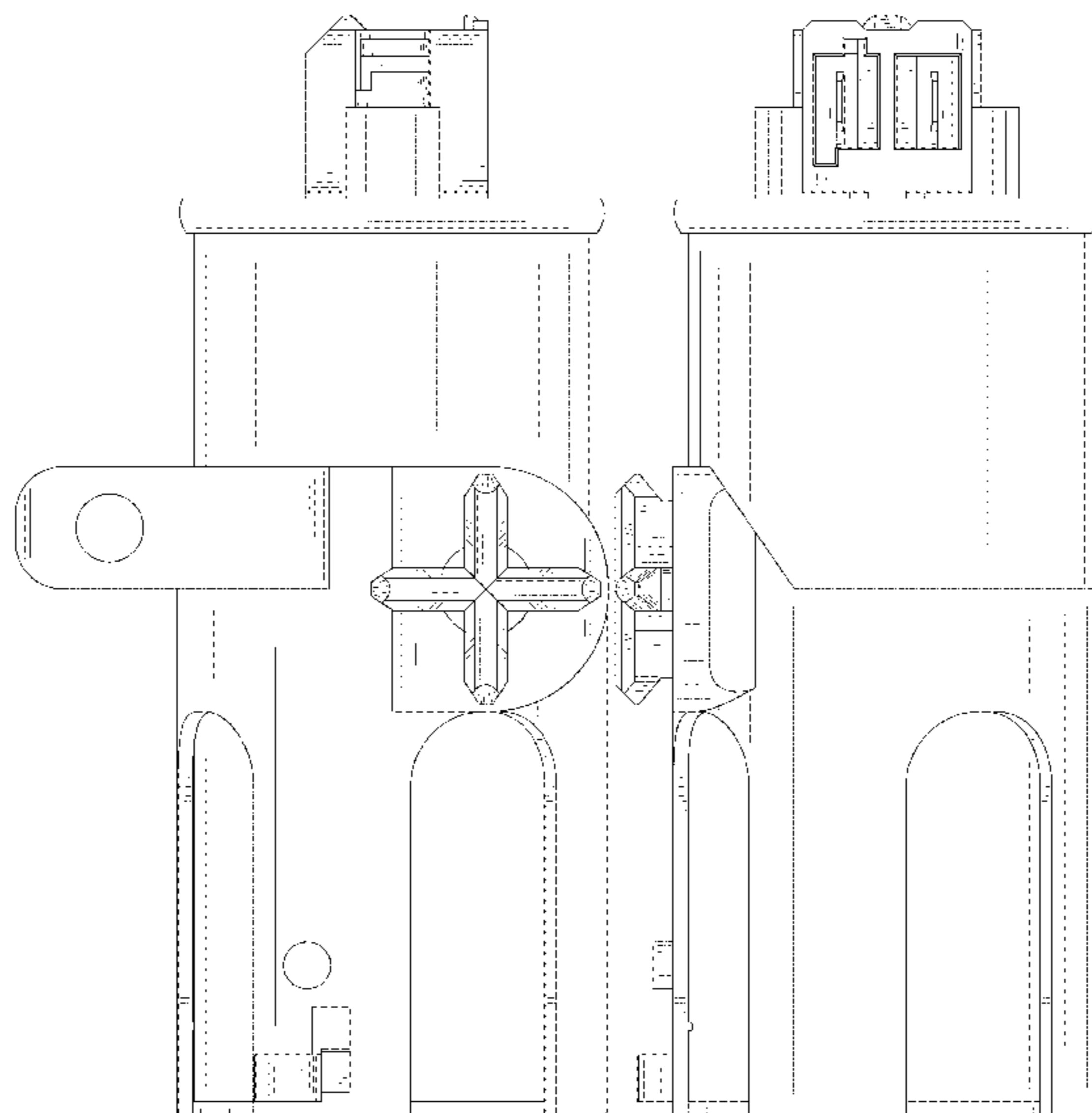
(57) **CLAIM**

The ornamental design for a condenser, as shown and described.

DESCRIPTION

FIG. 1 is a top, front and right side perspective view of a condenser showing our new design;
FIG. 2 is a bottom, rear and left side perspective view thereof;
FIG. 3 is a top and right side perspective view thereof;
FIG. 4 is a front elevational view thereof;
FIG. 5 is a rear elevational view thereof;
FIG. 6 is a left side view thereof;
FIG. 7 is a right side view thereof;
FIG. 8 is a top plan view thereof; and,
FIG. 9 is a bottom plan view thereof.
The broken lines in the drawings illustrate portions of the condenser which form no part of the claimed design.

1 Claim, 9 Drawing Sheets



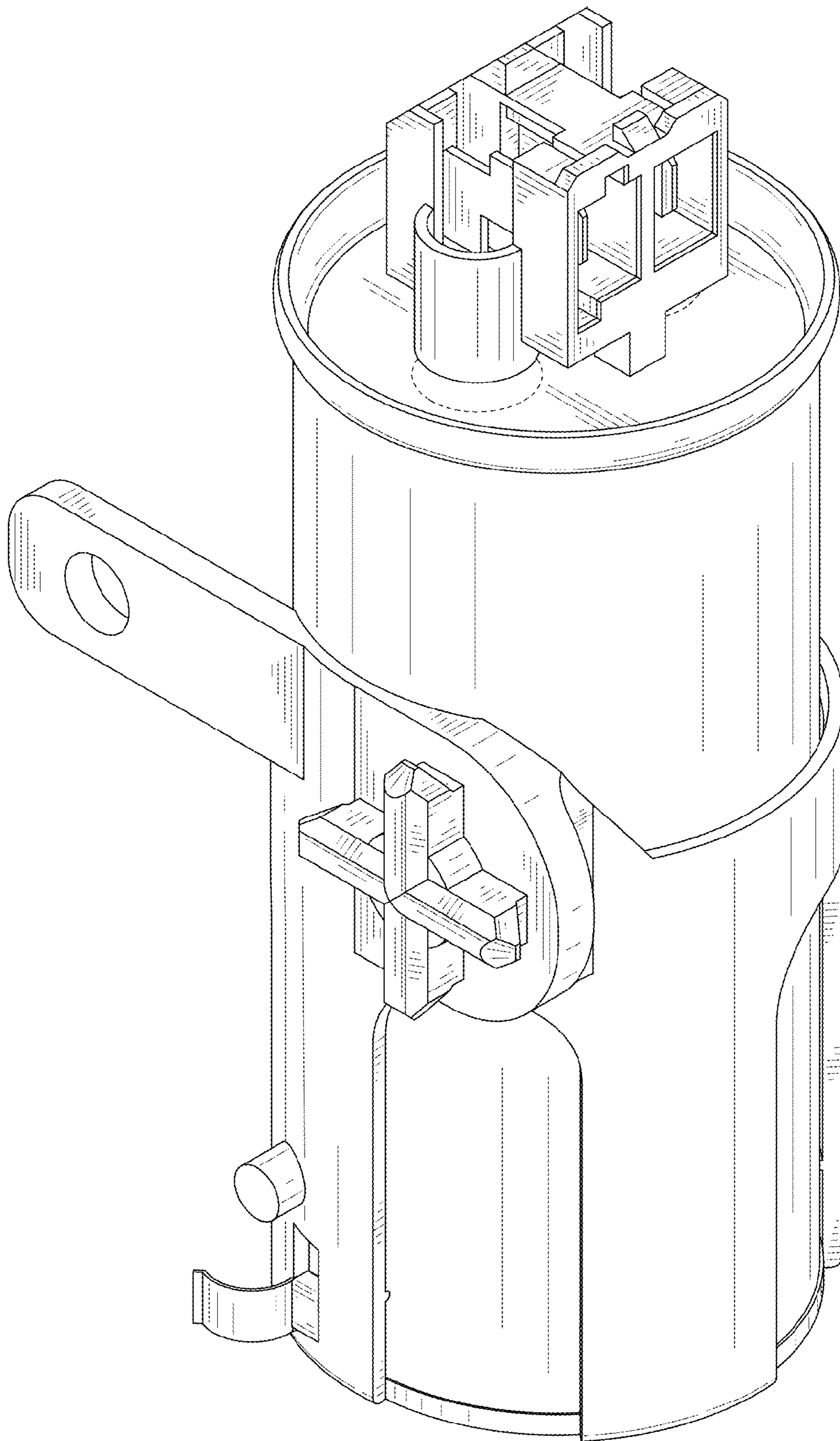


FIG. 1

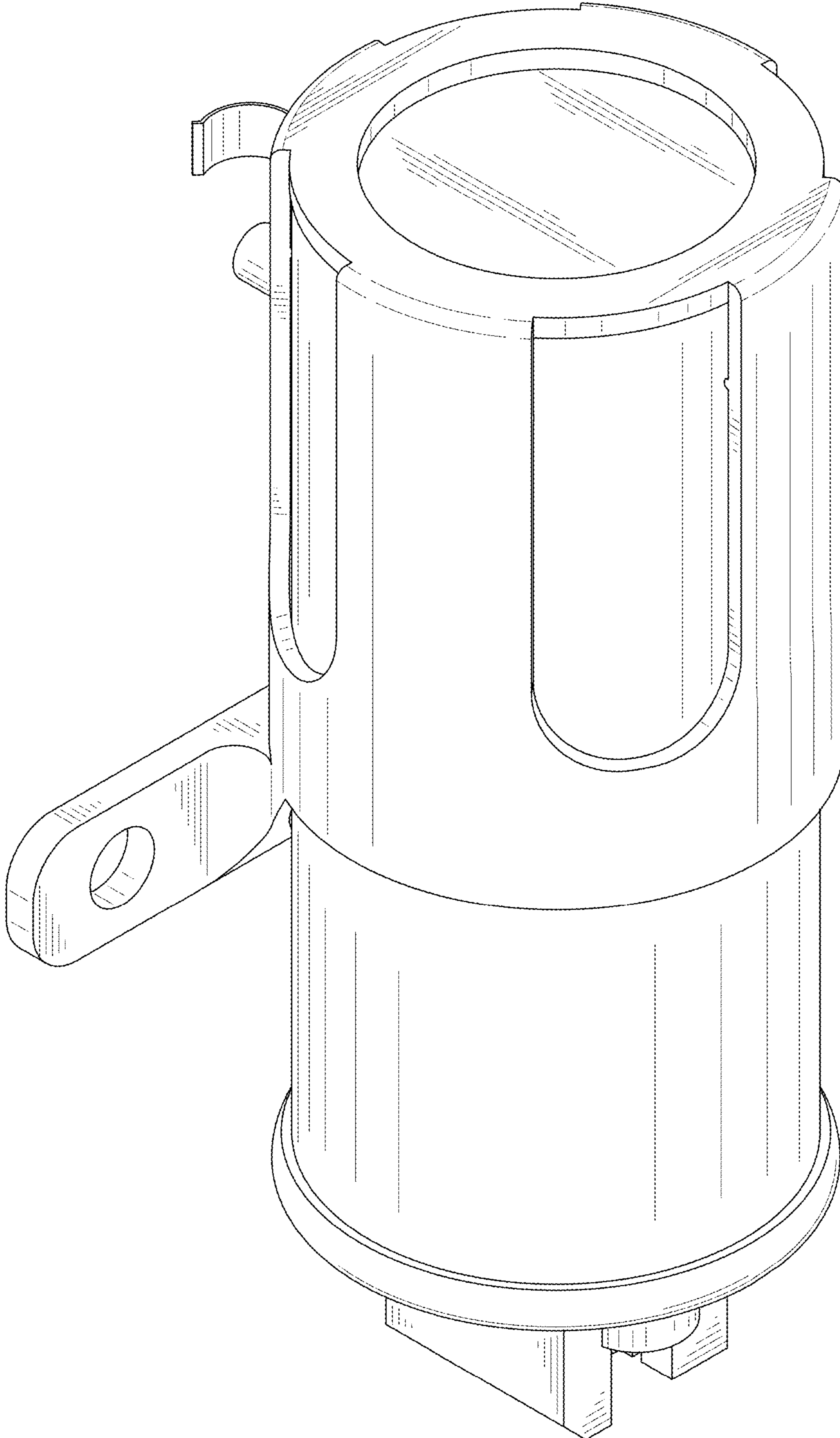


FIG. 2

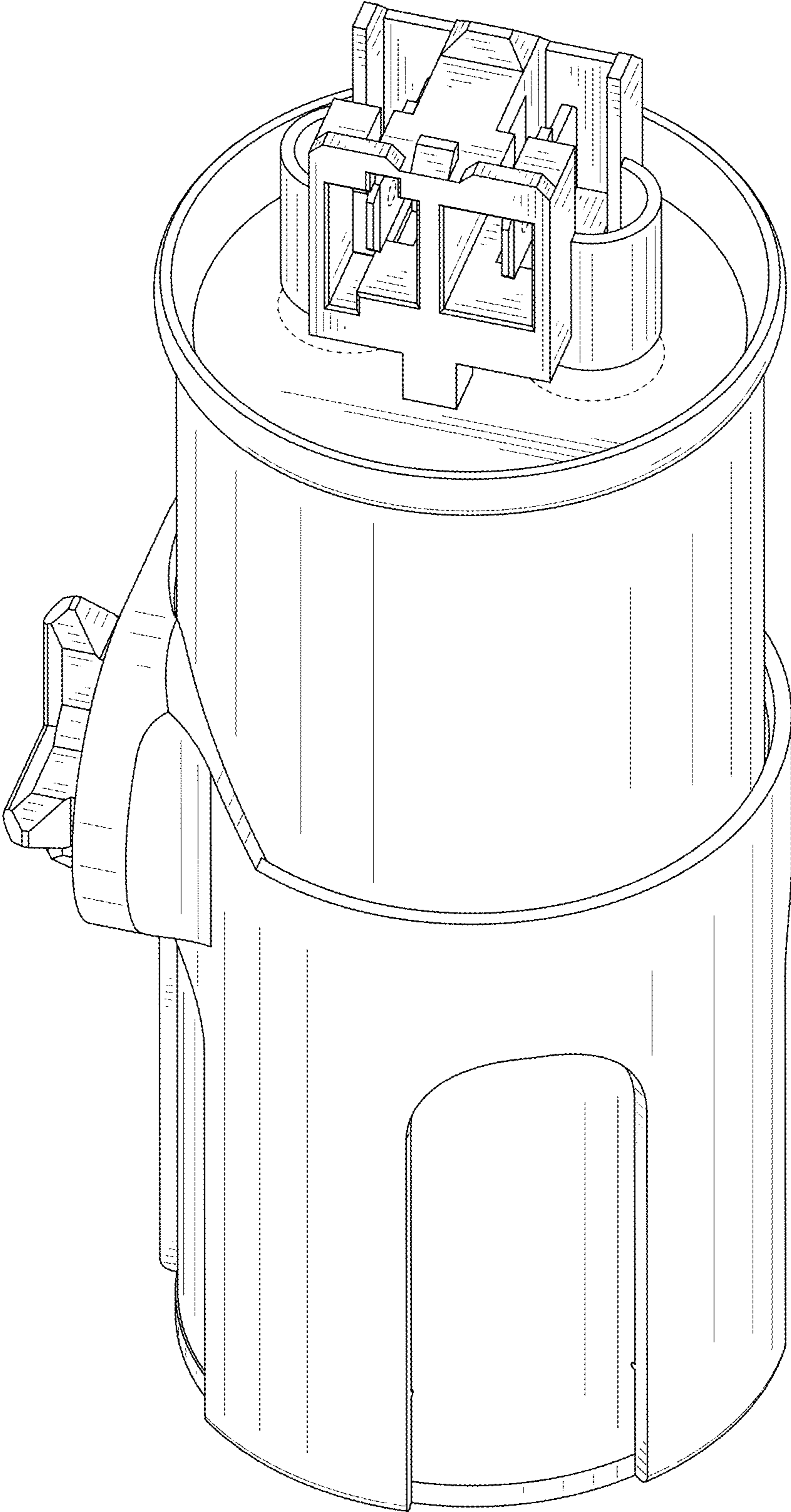


FIG. 3

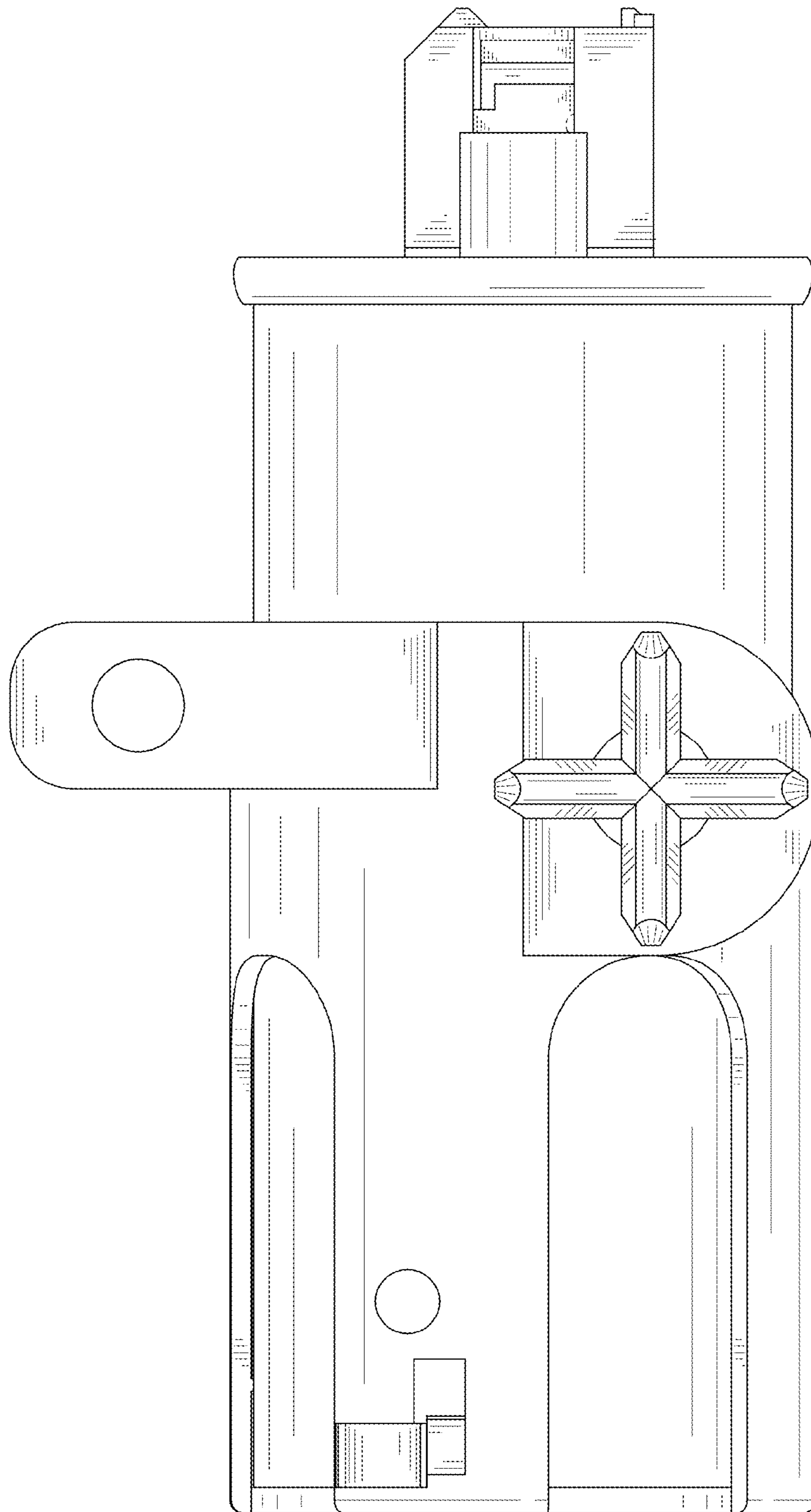


FIG. 4

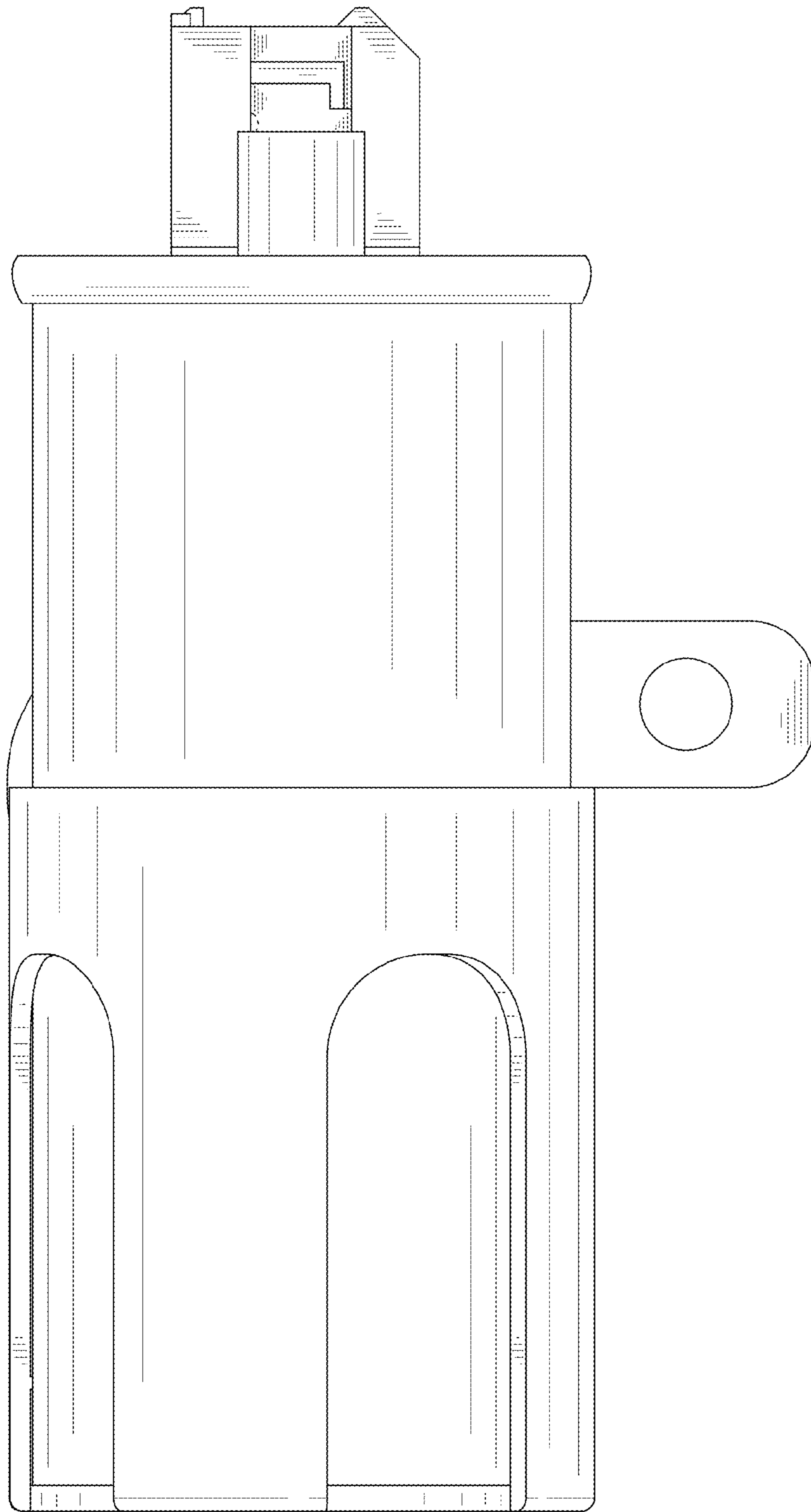


FIG. 5

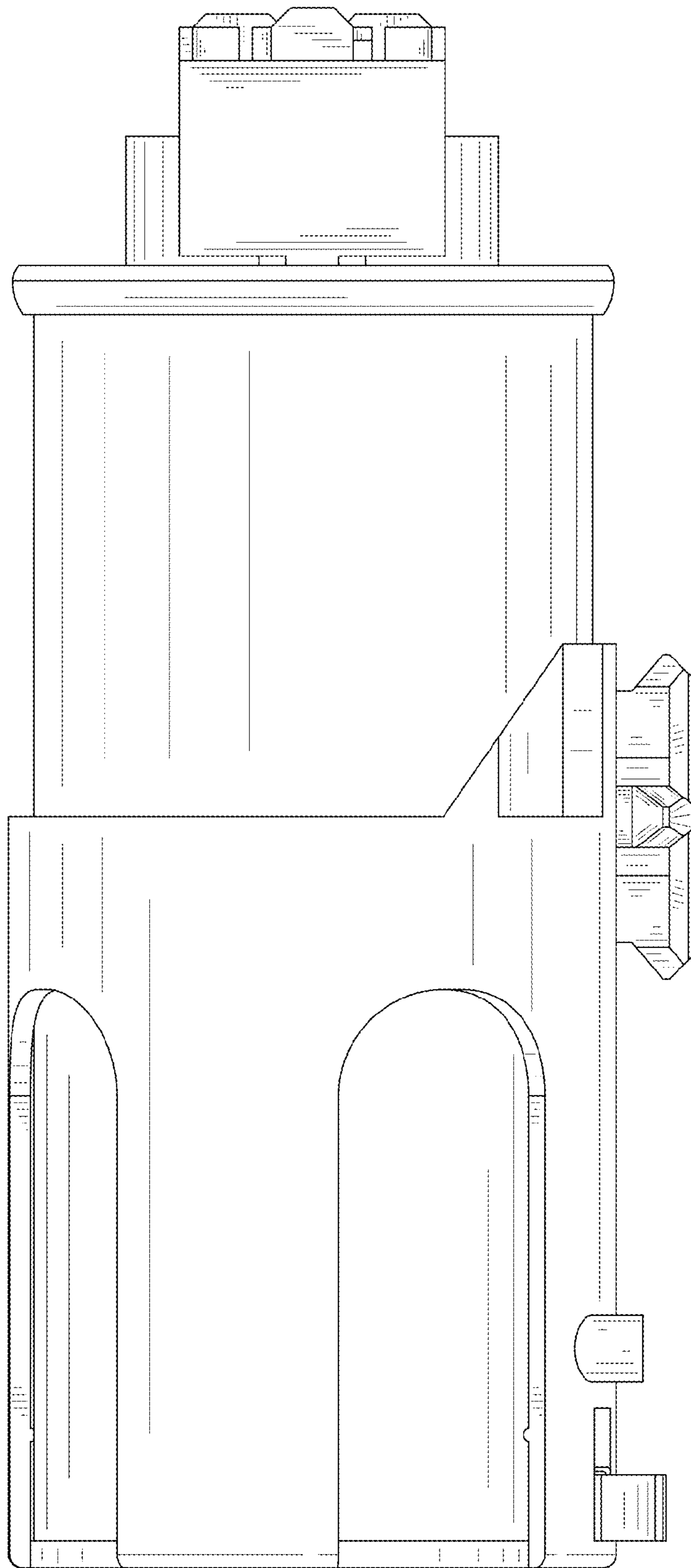


FIG. 6

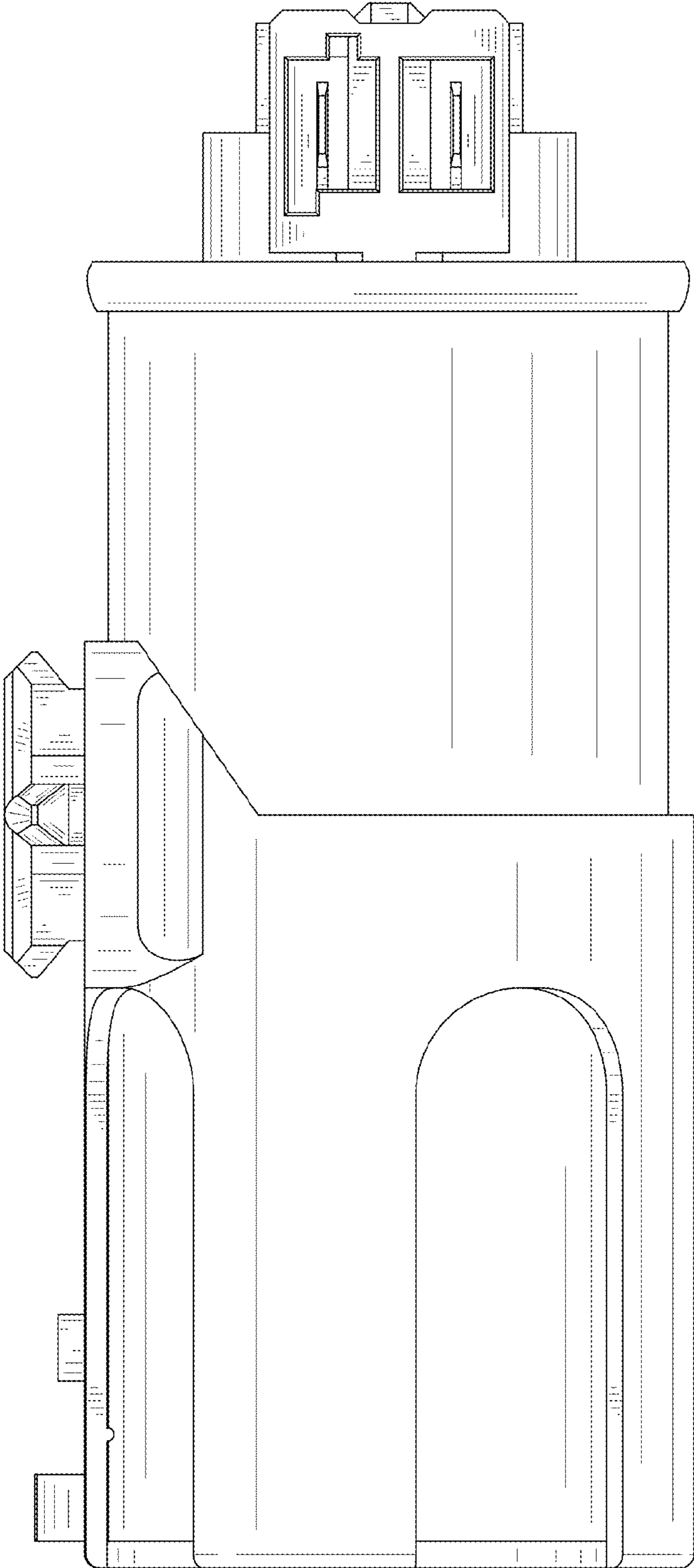


FIG. 7

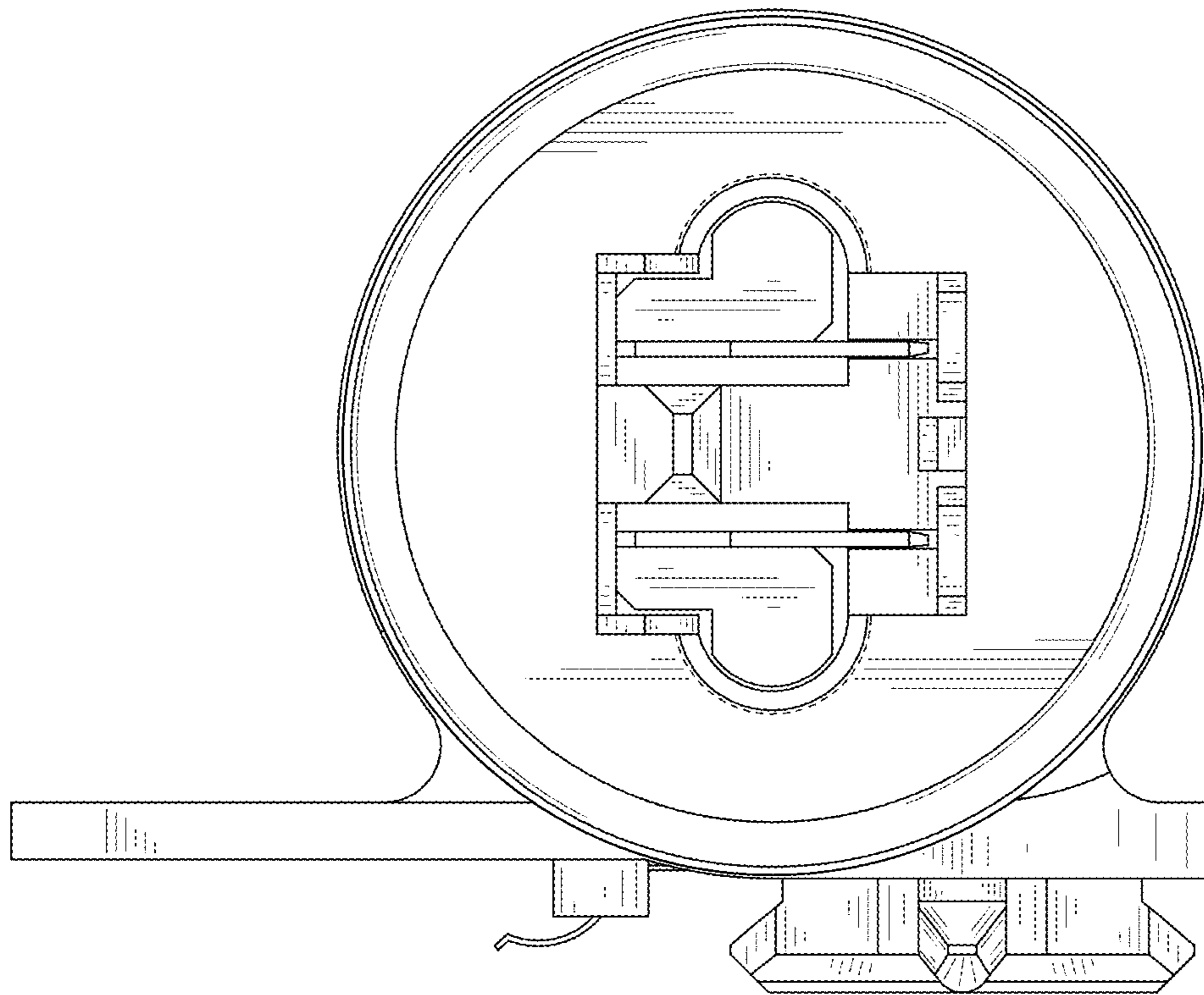


FIG. 8

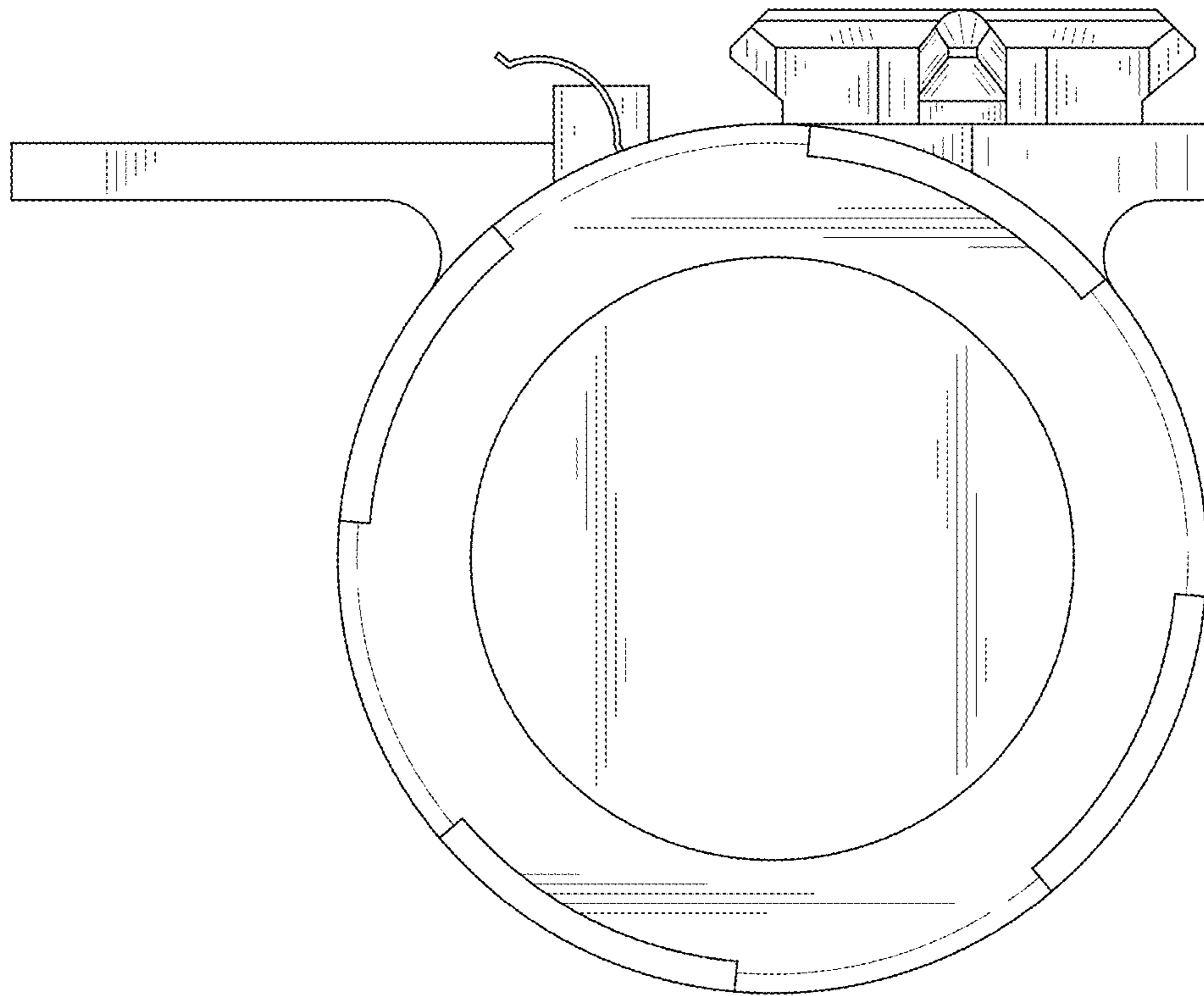


FIG. 9