



US00D901385S

(12) **United States Design Patent** (10) **Patent No.:** **US D901,385 S**  
**Aki et al.** (45) **Date of Patent:** **\*\* Nov. 10, 2020**

(54) **SIGNAL CONVERTER**

FOREIGN PATENT DOCUMENTS

(71) Applicant: **SMC CORPORATION**, Tokyo (JP)  
(72) Inventors: **Tomohiko Aki**, Nagareyama (JP); **Yuko Kochi**, Tsukubamirai (JP); **Norimasa Ozaki**, Moriya (JP)

JP 1014184 S 7/1998  
JP 1573481 S 4/2017  
(Continued)

(73) Assignee: **SMC CORPORATION**, Tokyo (JP)

(\*\*) Term: **15 Years**

(21) Appl. No.: **29/697,947**

(22) Filed: **Jul. 12, 2019**

(30) **Foreign Application Priority Data**

Jan. 30, 2019 (JP) ..... 2019-001673

(51) **LOC (12) Cl.** ..... **13-03**

(52) **U.S. Cl.**  
USPC ..... **D13/123**

(58) **Field of Classification Search**  
USPC ..... D13/184, 123-132, 112, 118, 146, 152,  
D13/153, 154, 173, 175, 178, 199;  
D14/496, 154, 199

CPC . H03K 13/02; H03M 3/02; H03L 7/18; H03F  
3/217; H01R 13/7036; H02G 3/14; F21S  
4/001

See application file for complete search history.

(56) **References Cited**

U.S. PATENT DOCUMENTS

D254,001 S \* 1/1980 Mayo ..... D13/125  
D259,934 S \* 7/1981 Lovret ..... D15/5  
D333,122 S \* 2/1993 Kamakura ..... D13/123  
D431,526 S \* 10/2000 Nishio ..... D13/123  
D439,220 S \* 3/2001 Mayo ..... D13/125  
D449,579 S \* 10/2001 Goto ..... D13/133  
D450,039 S \* 11/2001 Goto ..... D13/147  
6,498,890 B1 \* 12/2002 Kimminau ..... G02B 6/43  
385/134  
D490,080 S \* 5/2004 Alviar ..... D13/123  
D571,822 S \* 6/2008 Madonna ..... D14/168  
D715,741 S \* 10/2014 Dallmeyer ..... D13/146

(Continued)

OTHER PUBLICATIONS

Ali Express. Link: <https://www.aliexpress.com/i/4000263224079.html>. Visited Aug. 27, 2020. HDMI to RF Coaxial Converter AV Adapter Box W/ Remote Control HDMI to RF HDMI to RF Signal Converter. (Year: 2020).\*

*Primary Examiner* — Lauren D McVey

(74) *Attorney, Agent, or Firm* — Birch, Stewart, Kolasch & Birch, LLP

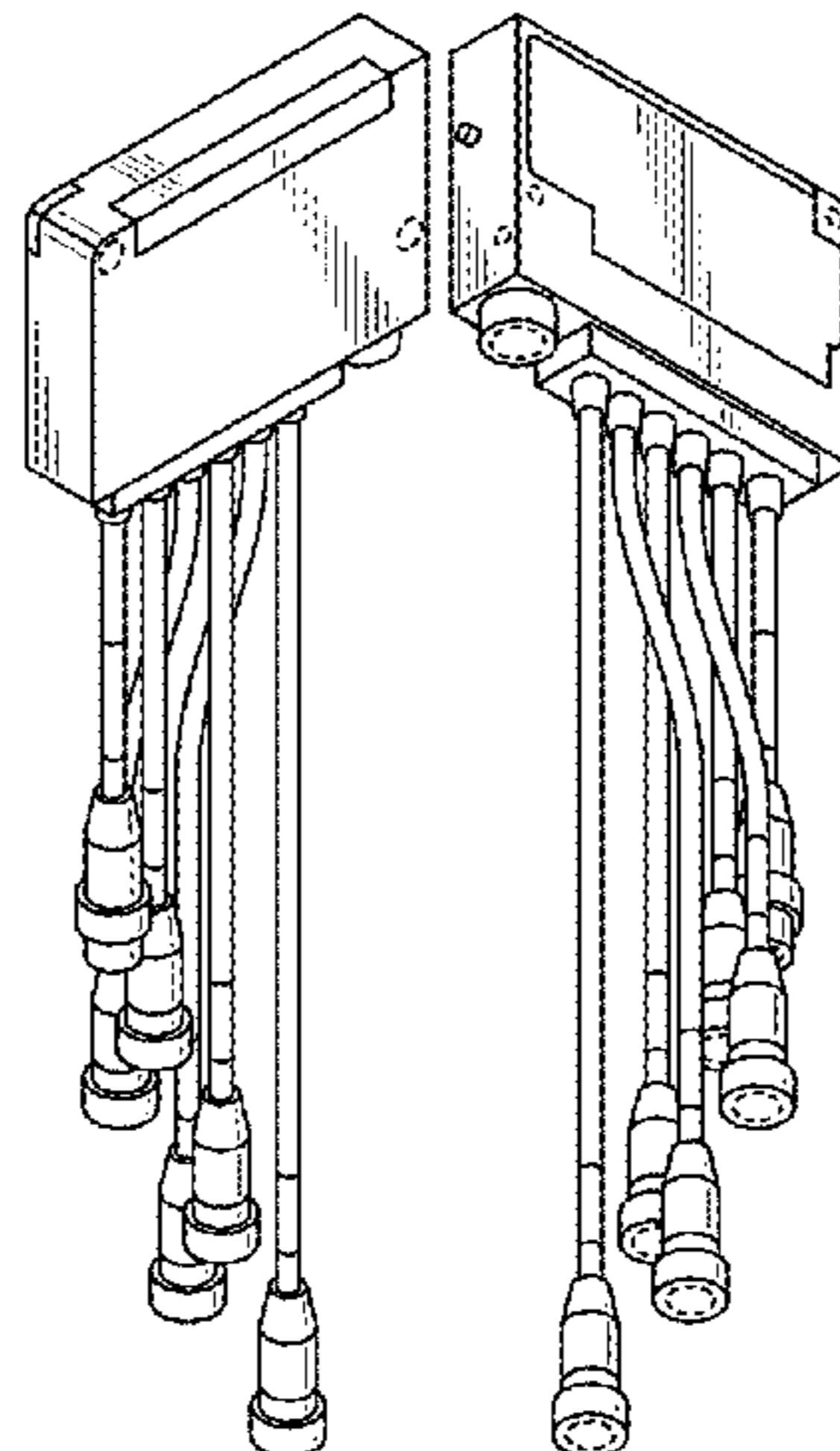
(57) **CLAIM**

The ornamental design for a signal converter, as shown and described.

**DESCRIPTION**

FIG. 1 is a front, top and left side perspective view of a signal converter showing our new design; FIG. 2 is a rear, bottom and right side perspective view thereof; FIG. 3 is a front view thereof; FIG. 4 is a rear view thereof; FIG. 5 is a top plan view thereof; FIG. 6 is a bottom plan view thereof; FIG. 7 is a left side view thereof; and, FIG. 8 is a right side view thereof. The broken lines immediately adjacent to the claimed areas depict the bounds of the claimed design, while all other broken lines are directed to environment. The broken lines form no part of the claimed design.

**1 Claim, 8 Drawing Sheets**



(56)

**References Cited**

U.S. PATENT DOCUMENTS

D816,609 S \* 5/2018 Komuro ..... D13/110  
D869,410 S \* 12/2019 Kochi ..... D13/184

FOREIGN PATENT DOCUMENTS

KR 300842023.0000 \* 3/2016  
MX 13737-0001 \* 12/2002  
WO WO-2013183272 A1 \* 12/2013 ..... G02B 6/32

\* cited by examiner

FIG. 1

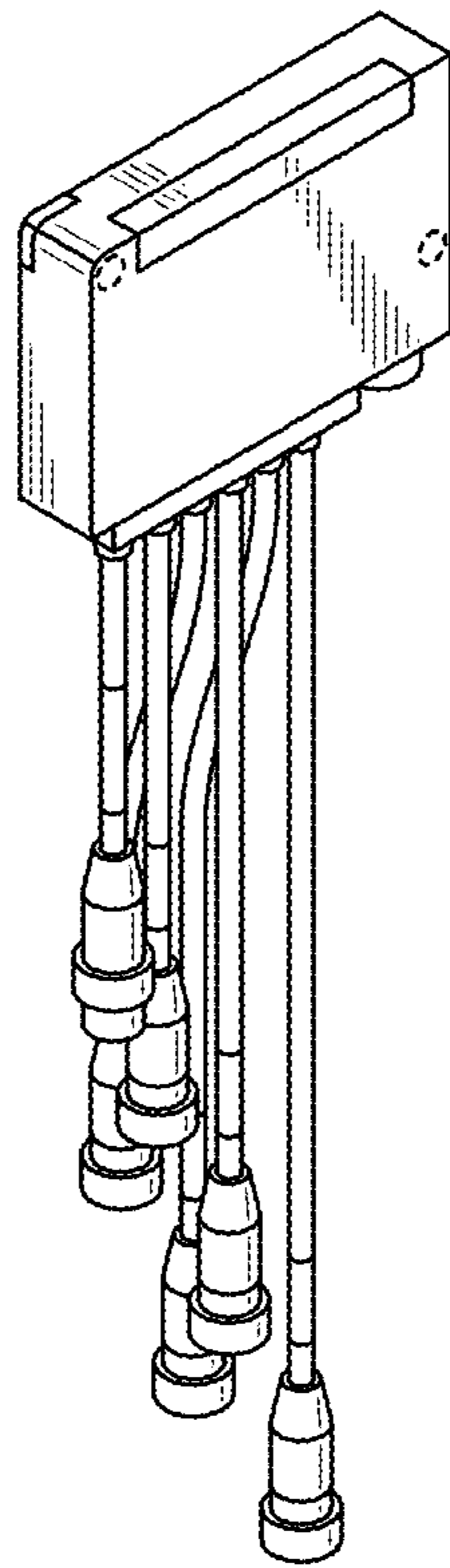


FIG. 2

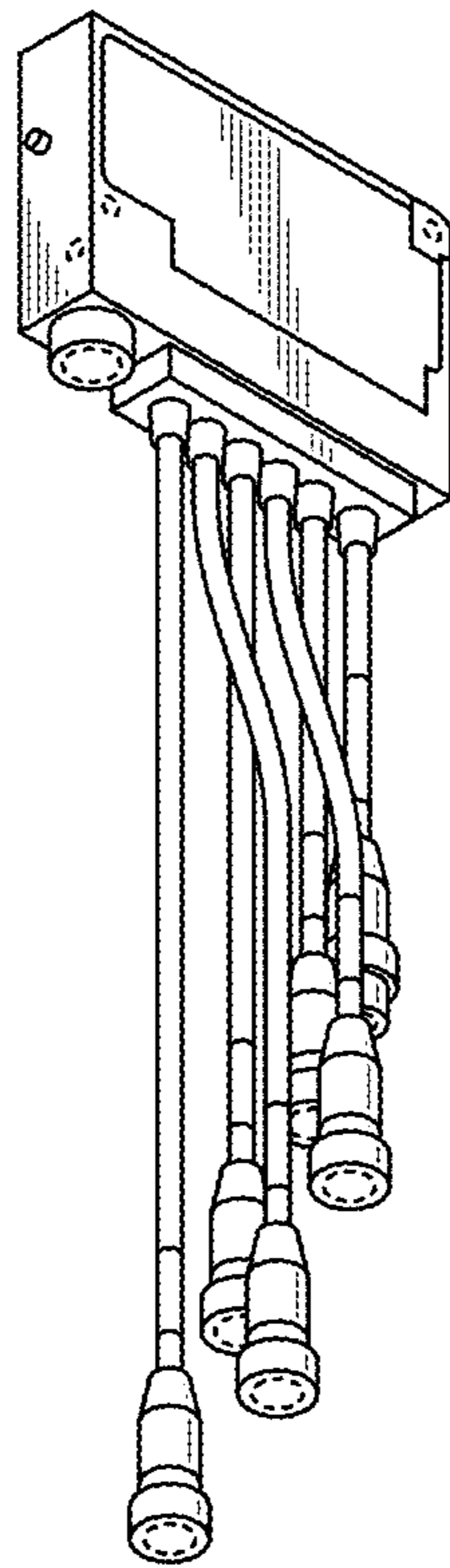


FIG. 3

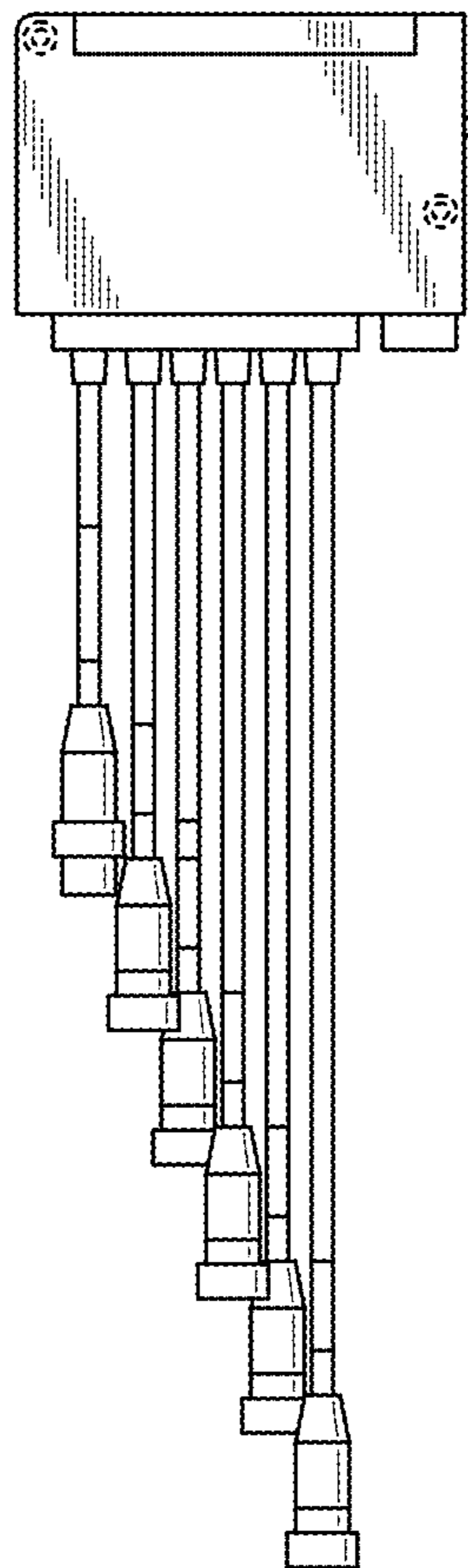


FIG. 4

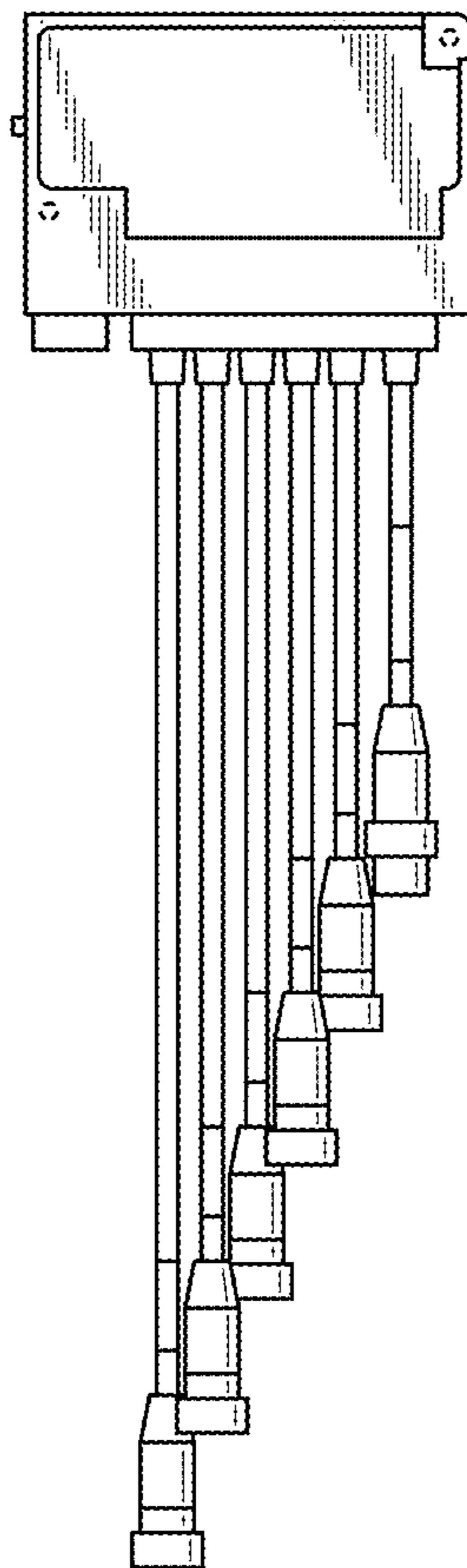


FIG. 5

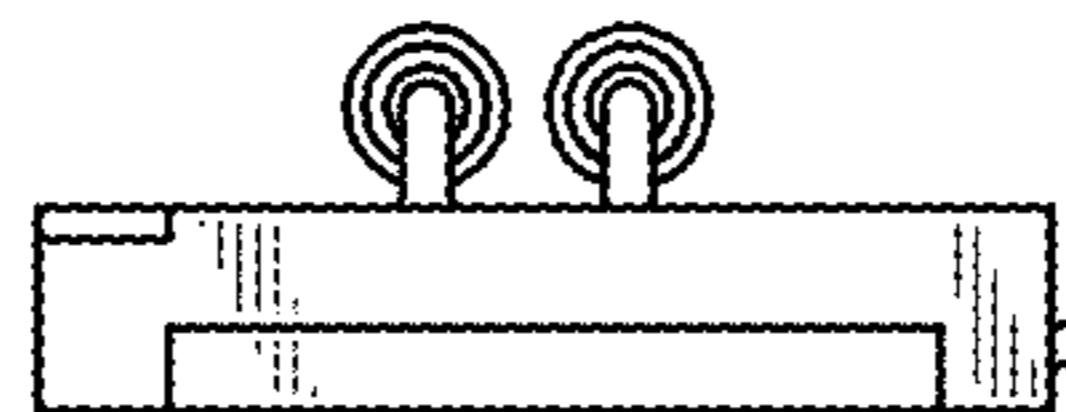


FIG. 6

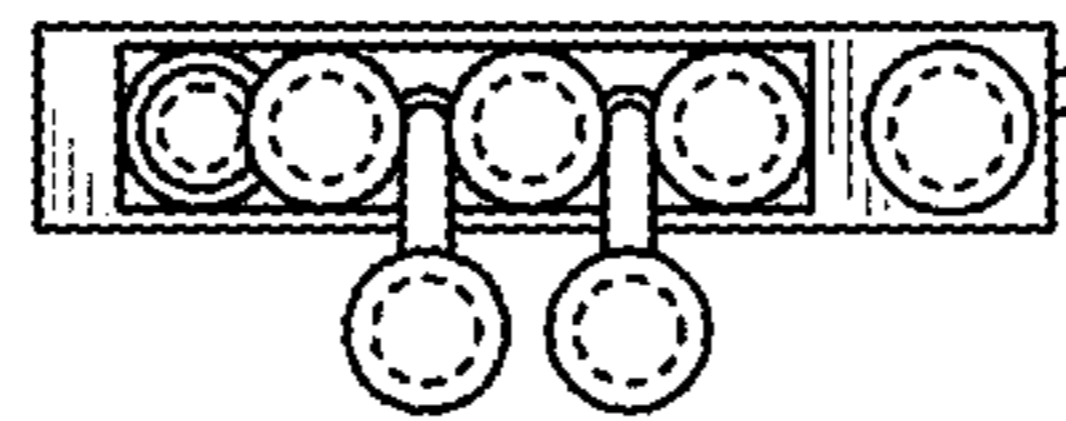




FIG. 7

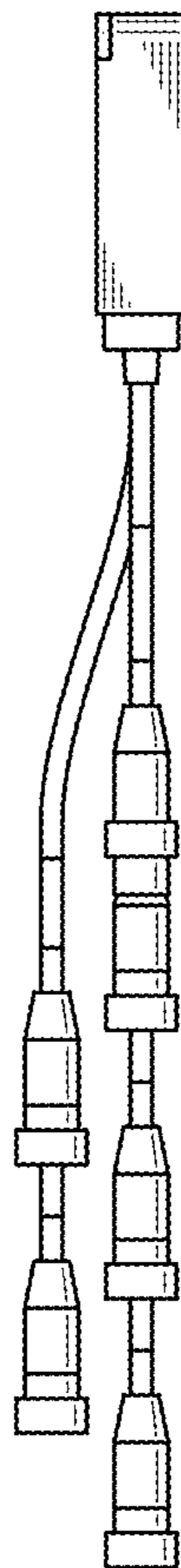


FIG. 8

