



US00D901384S

(12) **United States Design Patent** (10) **Patent No.:** **US D901,384 S**
Yasuda et al. (45) **Date of Patent:** **** Nov. 10, 2020**

(54) **COIL COMPONENT**
(71) Applicant: **TDK Corporation**, Tokyo (JP)
(72) Inventors: **Masatoshi Yasuda**, Tokyo (JP);
Hideaki Harata, Tokyo (JP)
(73) Assignee: **TDK CORPORATION**, Tokyo (JP)
(**) Term: **15 Years**

2002/0101319 A1* 8/2002 Komiya H01F 27/346
336/174
2005/0237141 A1* 10/2005 Hirai H01F 41/10
336/83
2010/0109827 A1* 5/2010 Asou H01F 41/076
336/192
2012/0074899 A1* 3/2012 Tsai H02J 50/12
320/108
2013/0049914 A1* 2/2013 Huang H01F 27/292
336/192
2014/0292463 A1* 10/2014 Lai H01F 27/29
336/192

(21) Appl. No.: **29/636,203**

(Continued)

(22) Filed: **Feb. 7, 2018**

FOREIGN PATENT DOCUMENTS

(30) **Foreign Application Priority Data**

JP S1306442 7/2007

Aug. 9, 2017 (JP) 2017-017157
Aug. 9, 2017 (JP) 2017-017158

Primary Examiner — Derrick E Holland
(74) *Attorney, Agent, or Firm* — Oliff PLC

(51) **LOC (12) Cl.** **13-02**

(57) **CLAIM**

(52) **U.S. Cl.**
USPC **D13/117**

The ornamental design for a coil component, as shown and described.

(58) **Field of Classification Search**
USPC D13/117, 101, 118, 133, 179, 183, 199;
123/634; 250/231.12; 336/83, 90, 92,
336/96, 160, 178, 192, 198, 200; D15/5,
D15/199
CPC H01F 27/04; H01F 27/24; H01F 27/26;
H01F 27/28; H01F 27/29; H01F 27/30;
H01F 27/34; H01F 27/006; H01F 27/292;
H01F 27/325; H01F 38/08; H01F 17/04;
H01F 17/045; H01F 37/00; H01F 5/02;
H02M 3/28; H03H 7/427
See application file for complete search history.

DESCRIPTION

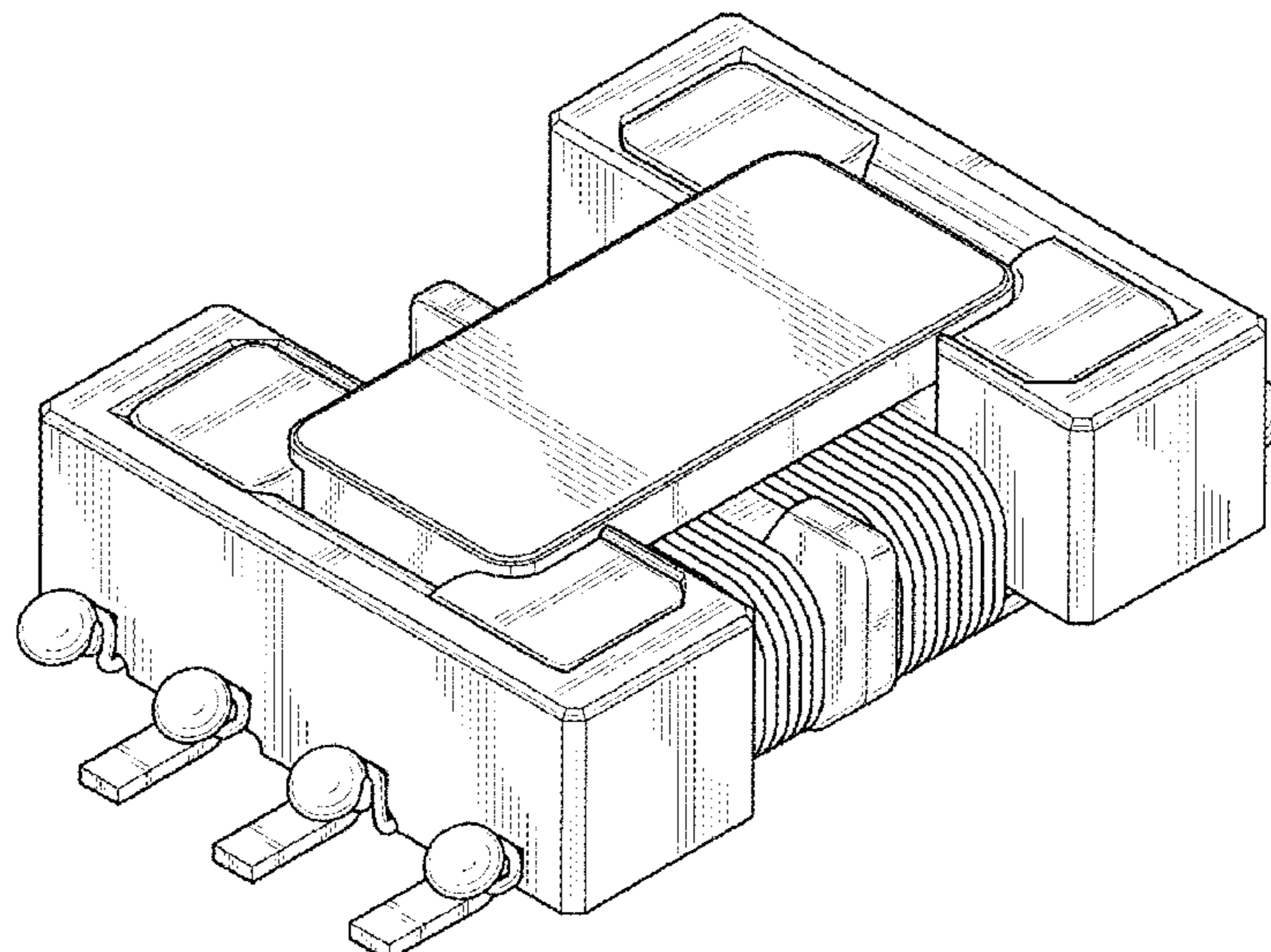
FIG. 1 is a front view of a coil component according to a first embodiment;
FIG. 2 is a rear view thereof;
FIG. 3 is a left-side view thereof;
FIG. 4 is a right-side view thereof;
FIG. 5 is a top view thereof;
FIG. 6 is a bottom view thereof;
FIG. 7 is a perspective view thereof;
FIG. 8 is a front view of a coil component according to a second embodiment;
FIG. 9 is a rear view thereof;
FIG. 10 is a left-side view thereof;
FIG. 11 is a right-side view thereof;
FIG. 12 is a top view thereof;
FIG. 13 is a bottom view thereof; and,
FIG. 14 is a perspective view thereof.

(56) **References Cited**

U.S. PATENT DOCUMENTS

D423,028 S * 4/2000 Okura D15/199
6,965,289 B2 * 11/2005 Toi H01F 17/045
336/200
D779,429 S * 2/2017 Yamada D13/117

1 Claim, 14 Drawing Sheets



(56)

References Cited

U.S. PATENT DOCUMENTS

2017/0229228 A1* 8/2017 Kawasaki H01F 27/255

* cited by examiner

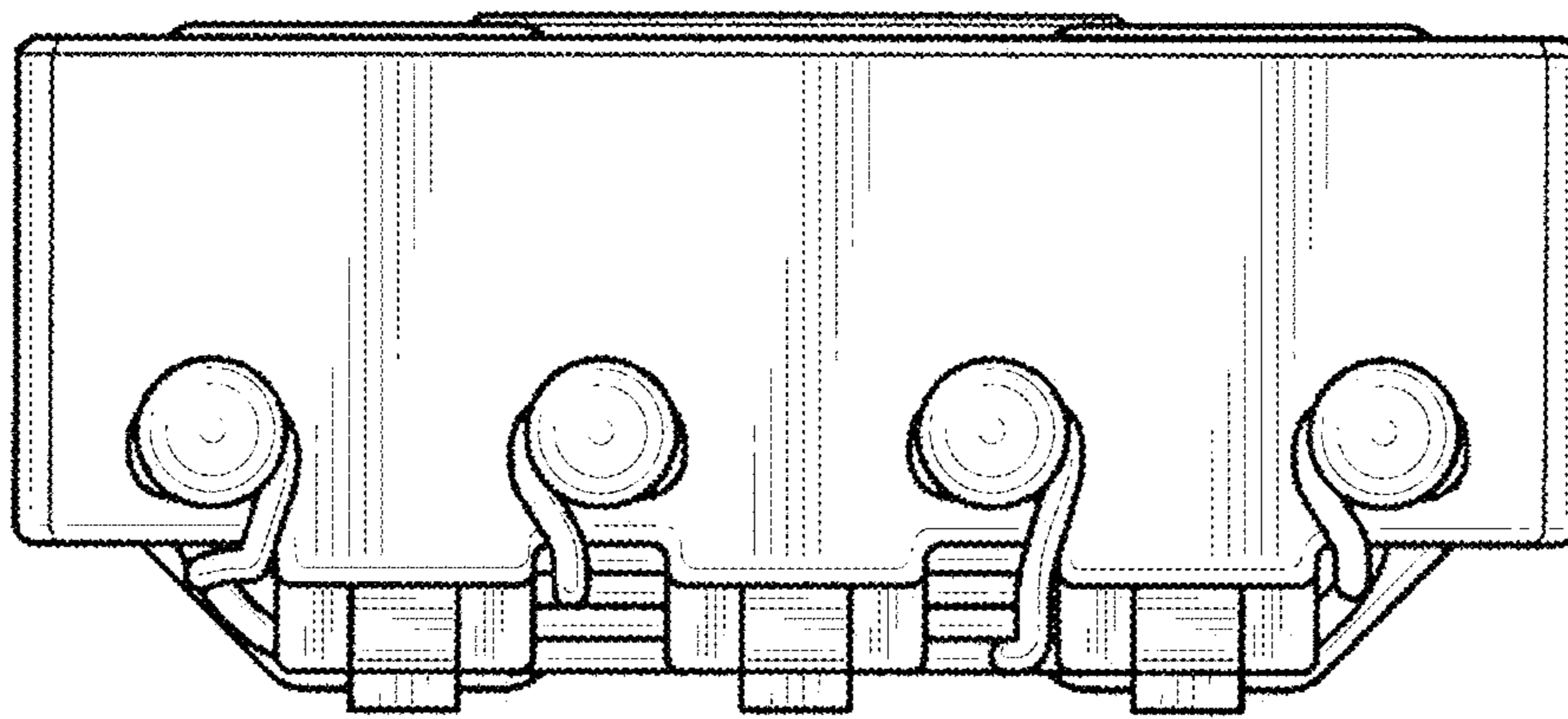


FIG. 1

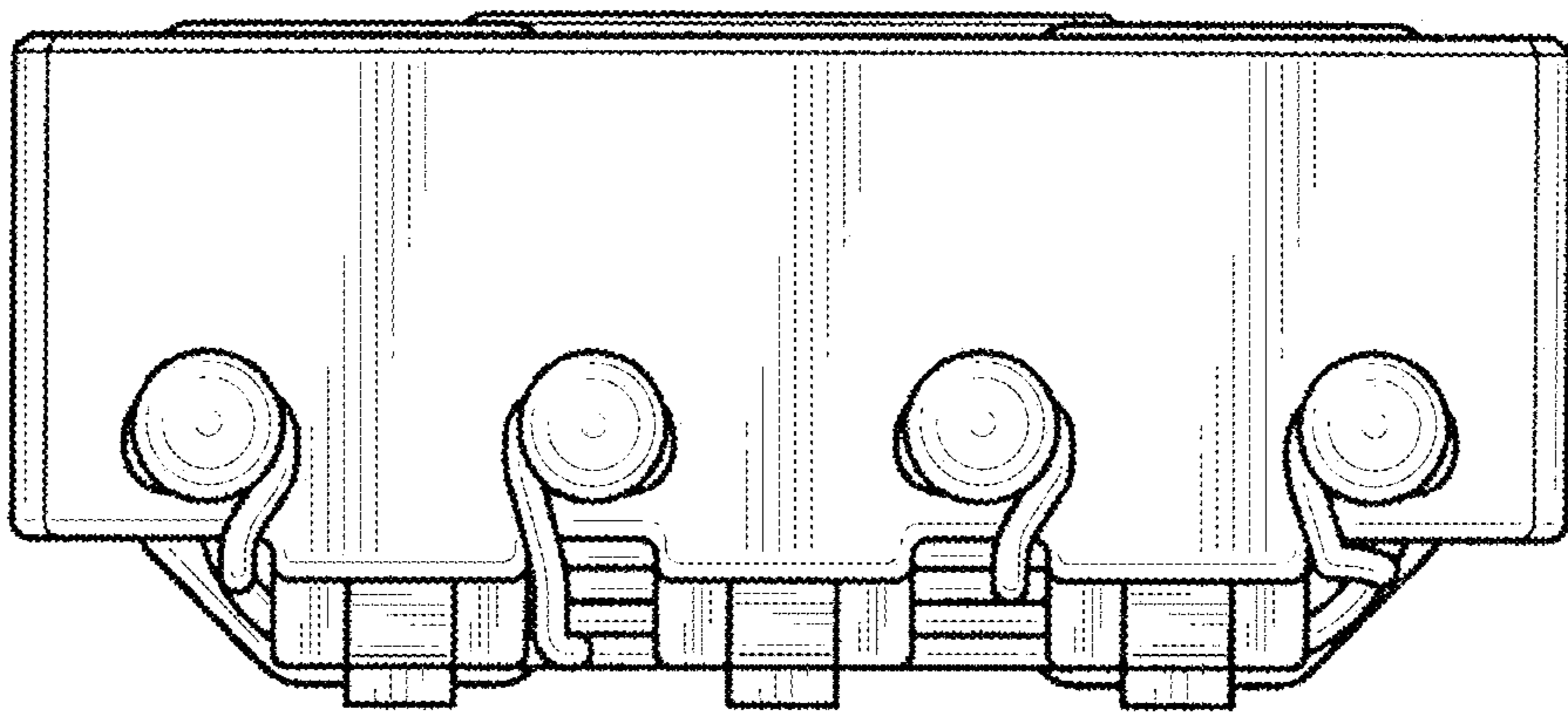


FIG. 2

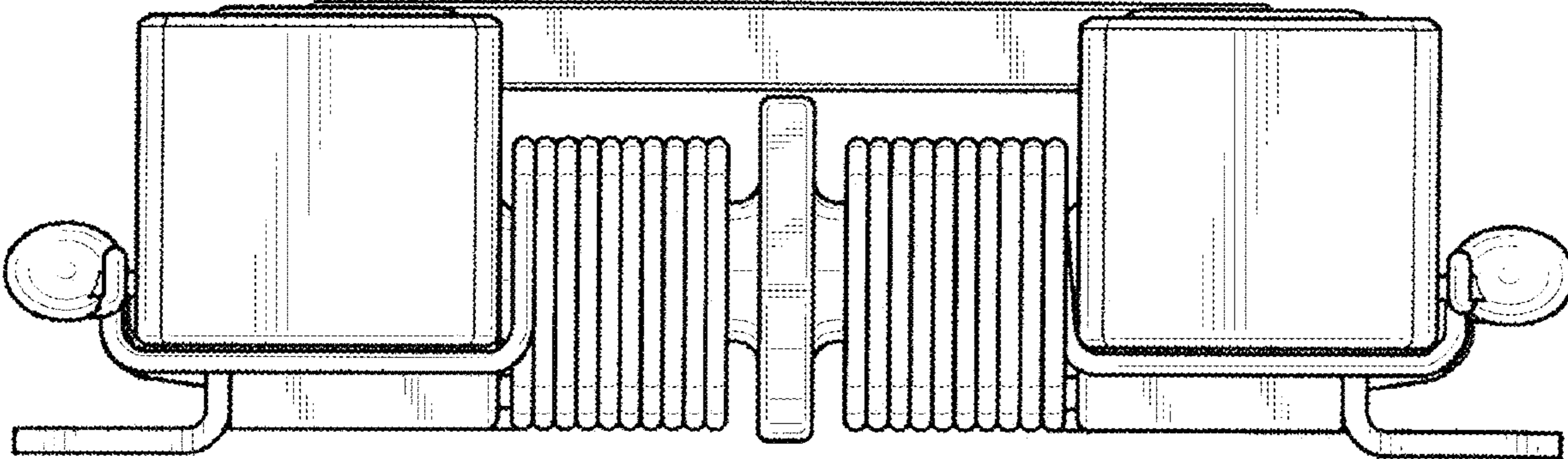


FIG. 3

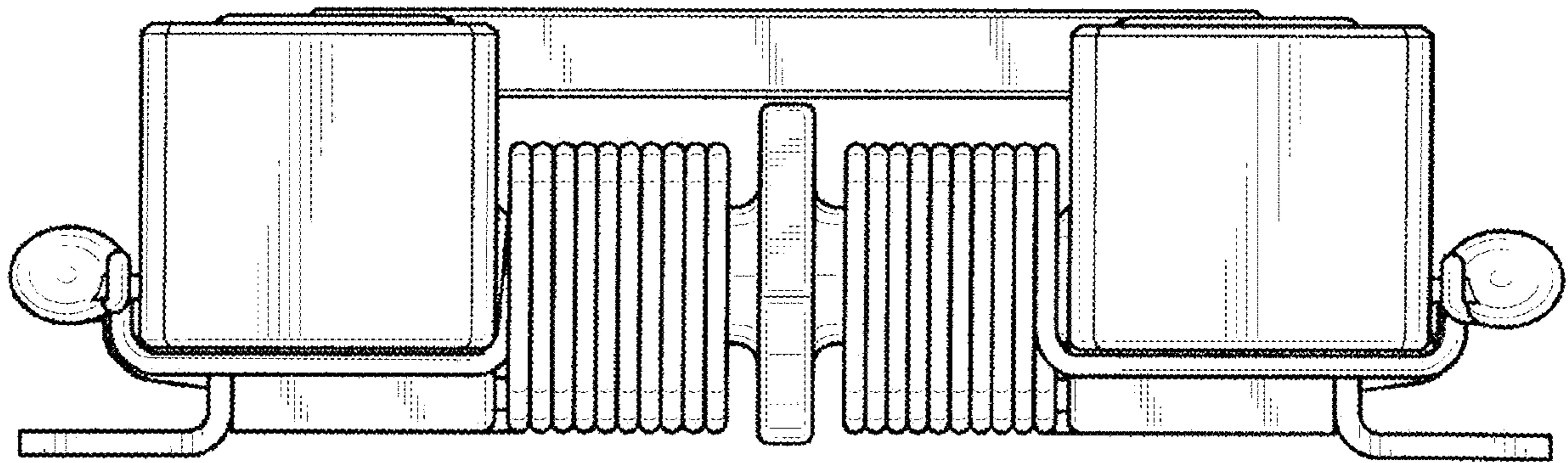


FIG. 4

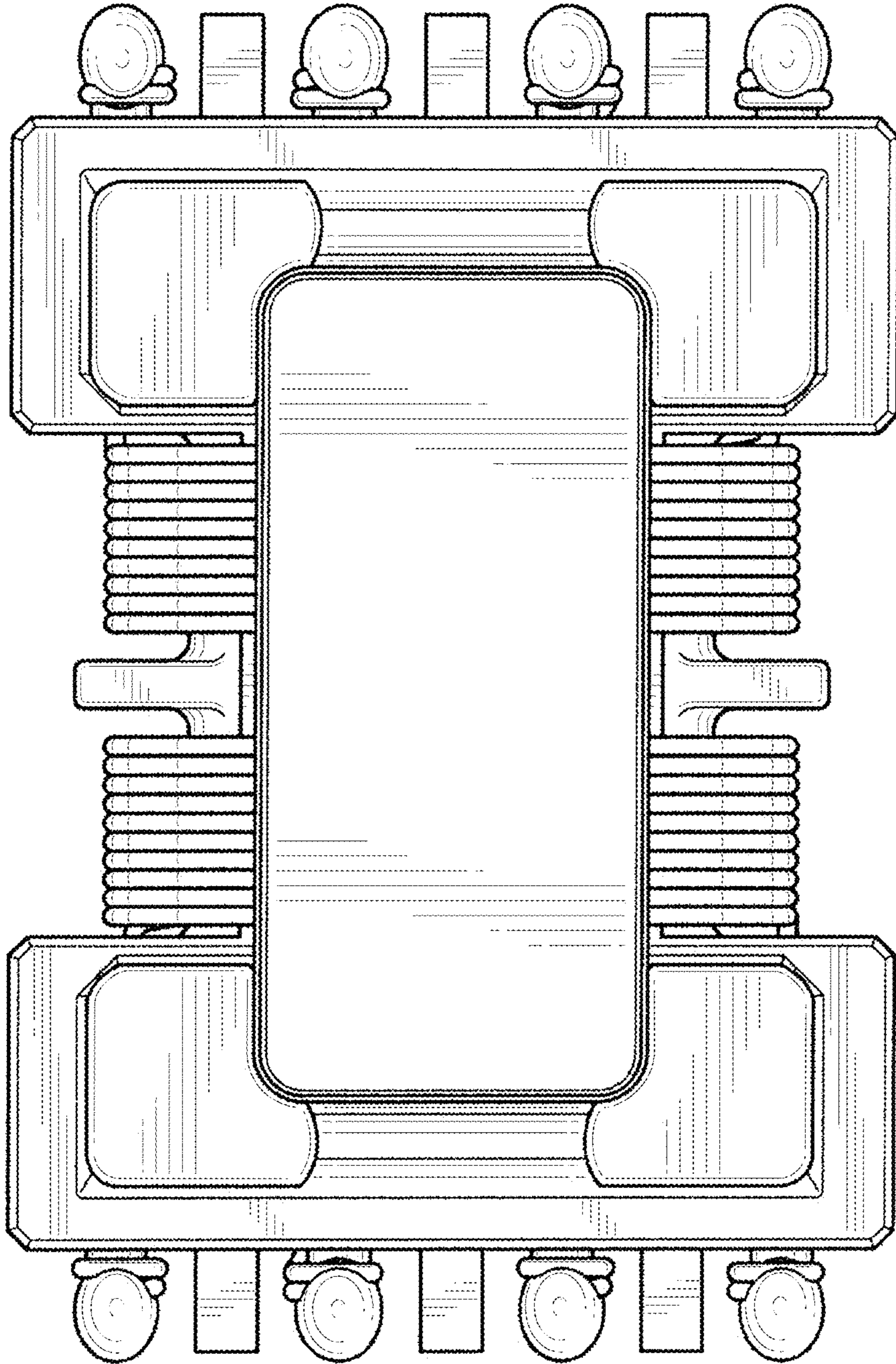


FIG. 5

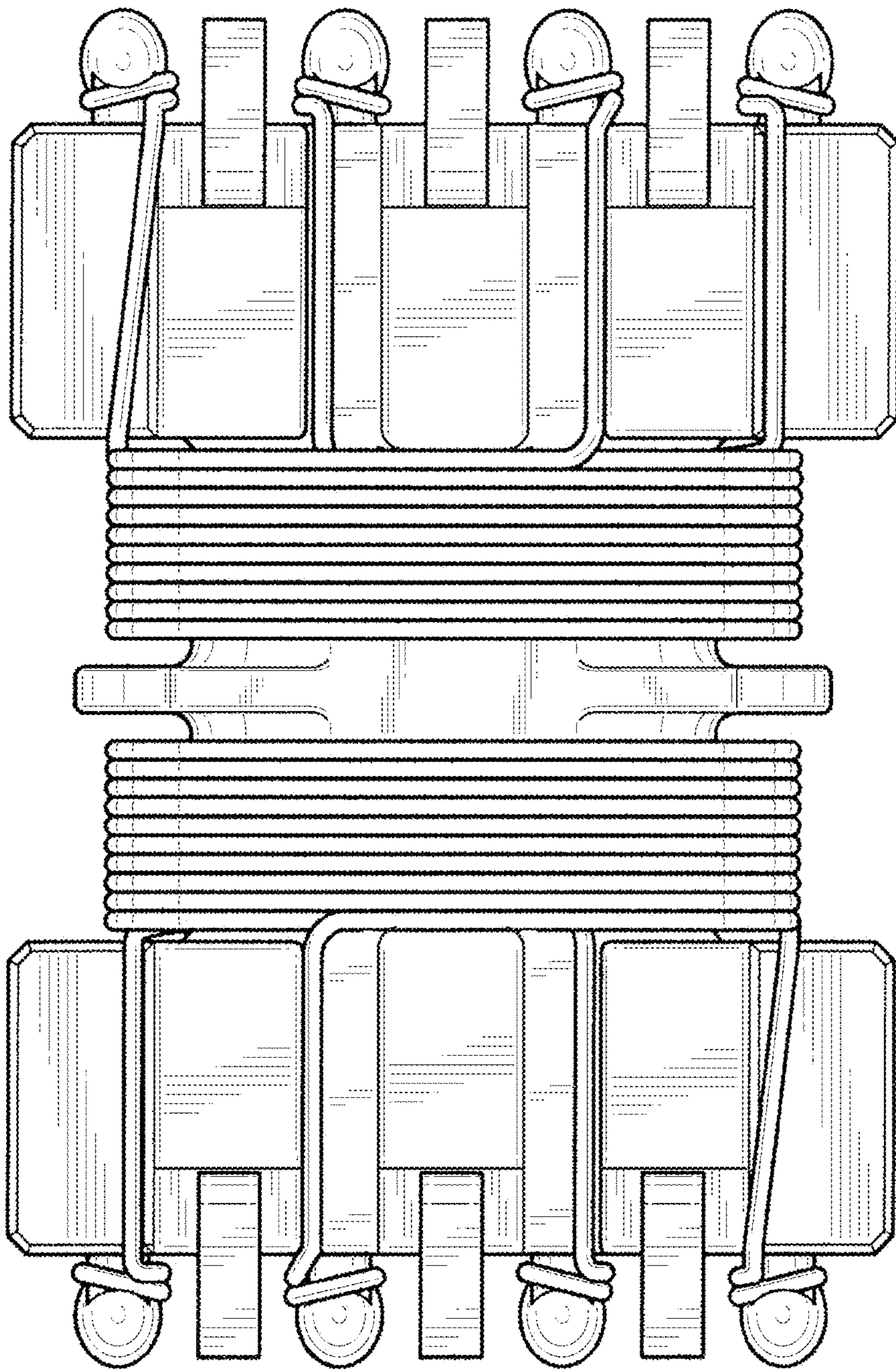


FIG. 6

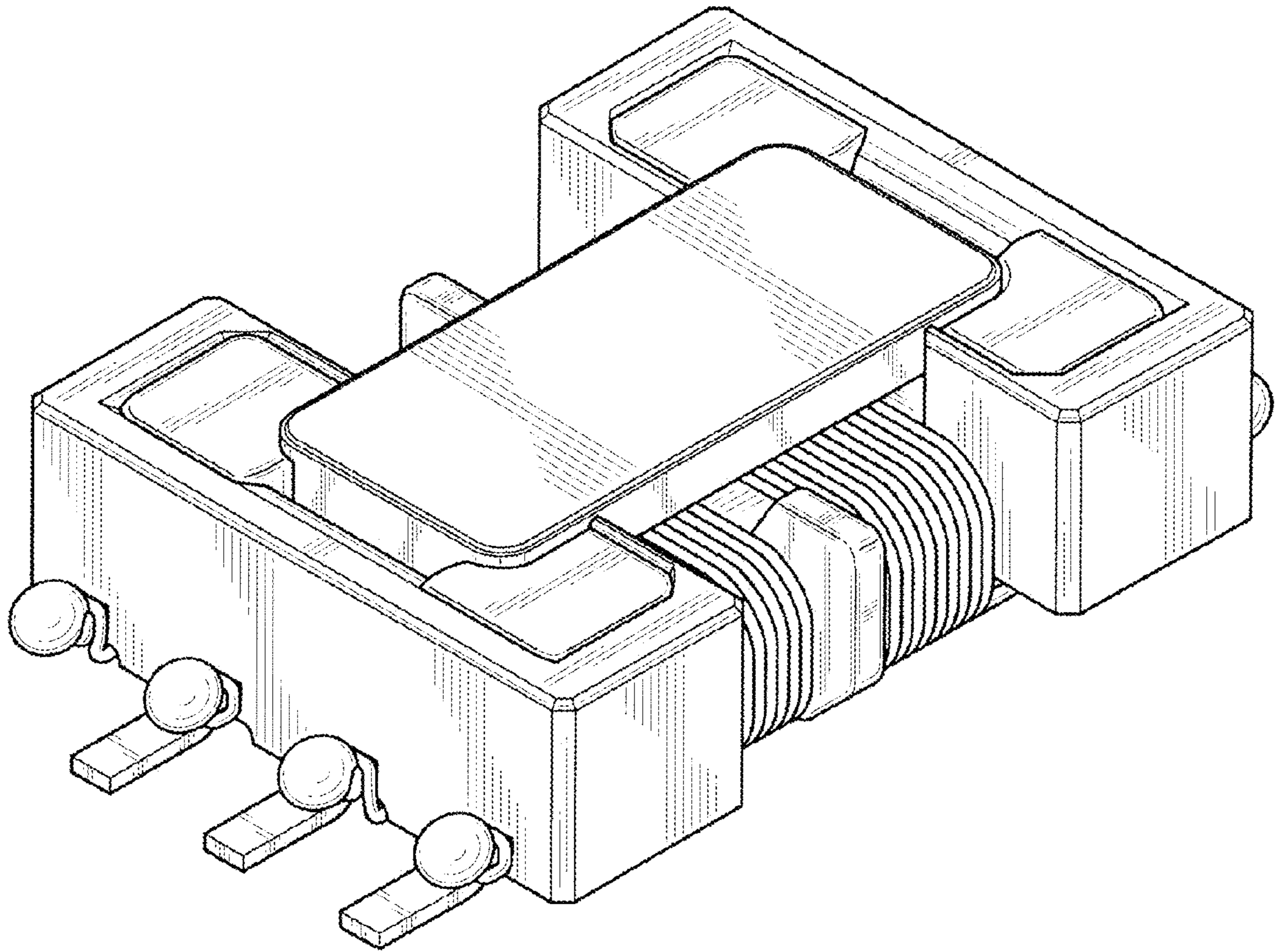


FIG. 7

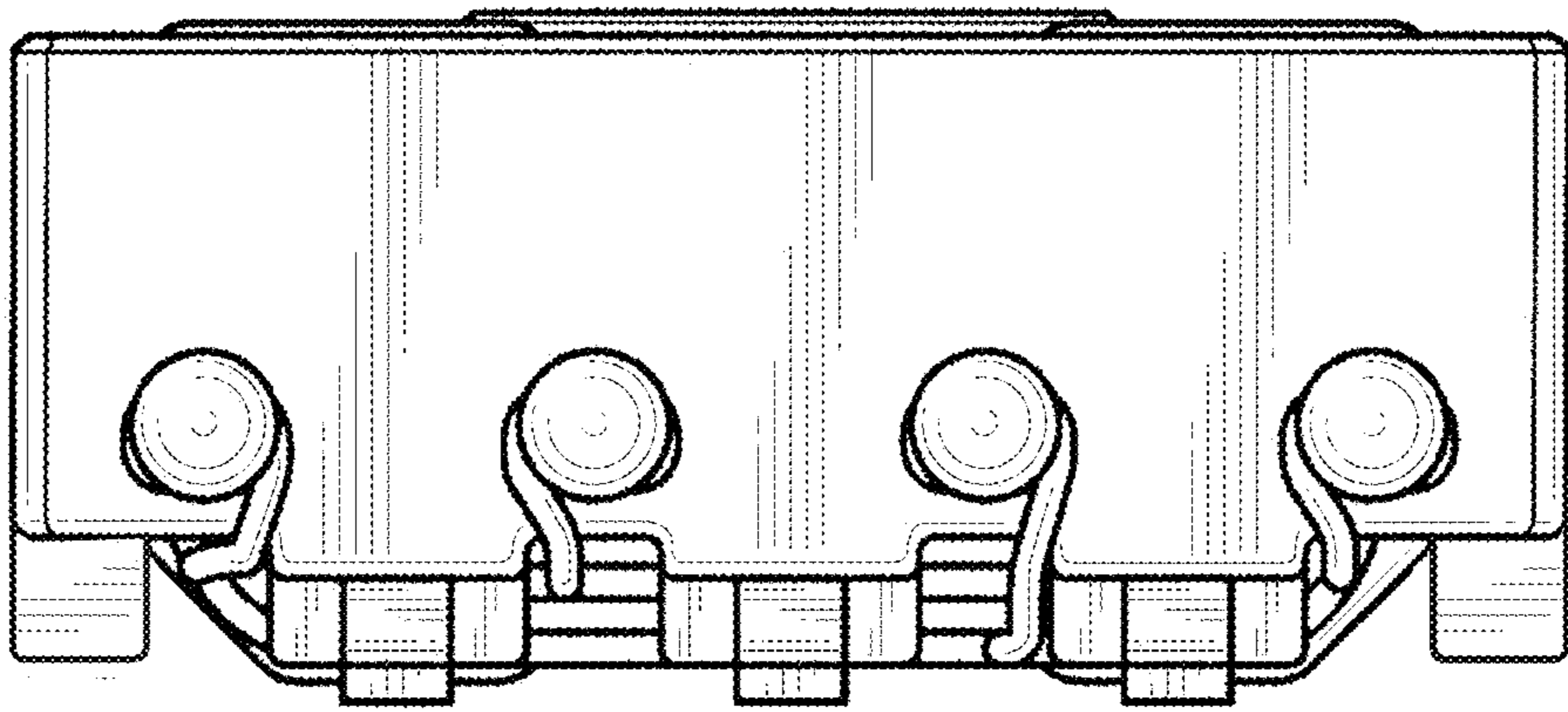


FIG. 8

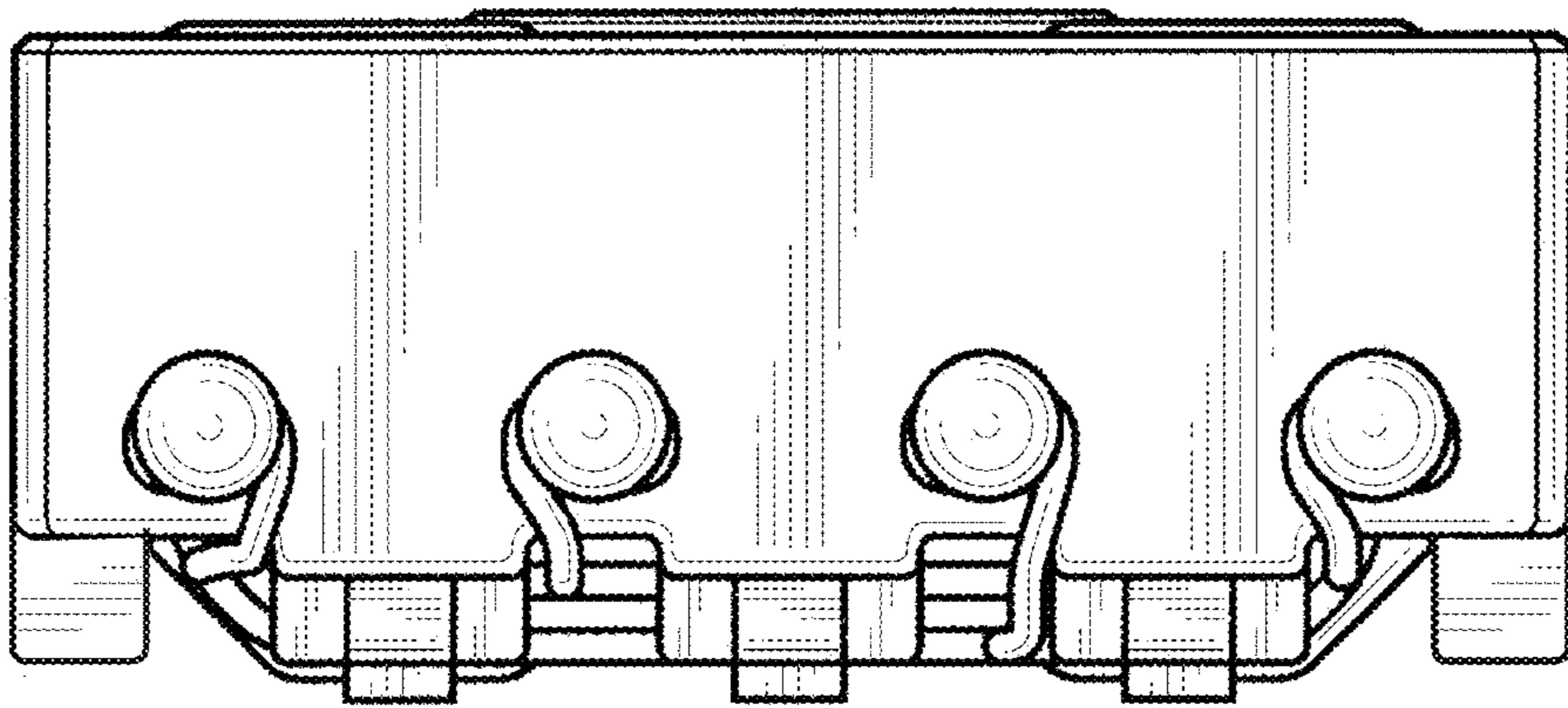


FIG. 9

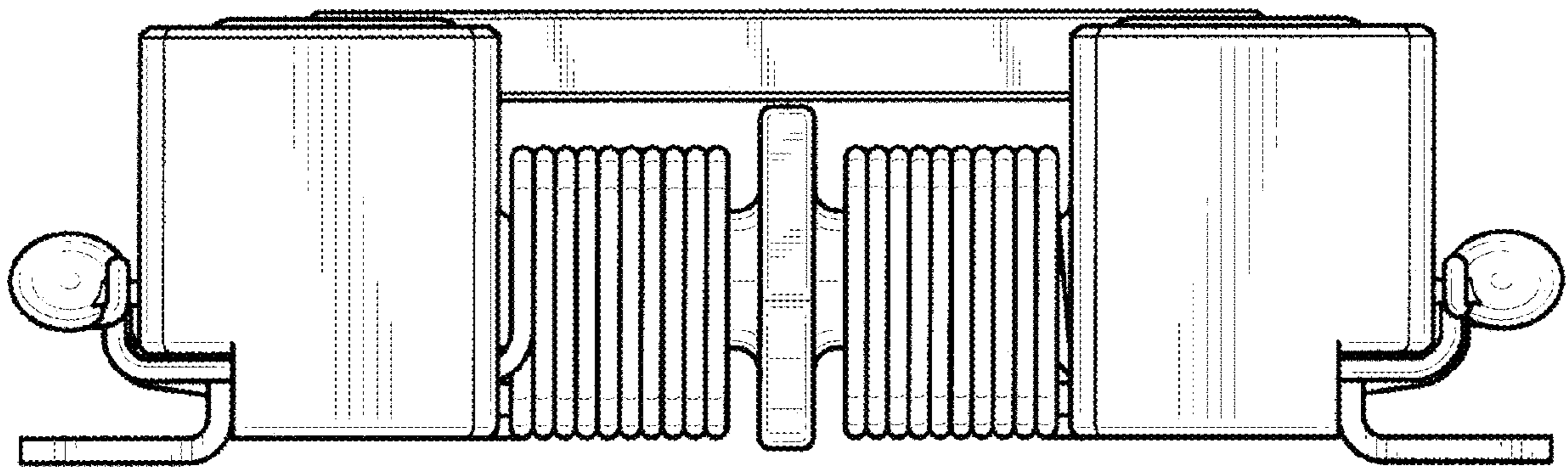


FIG. 10

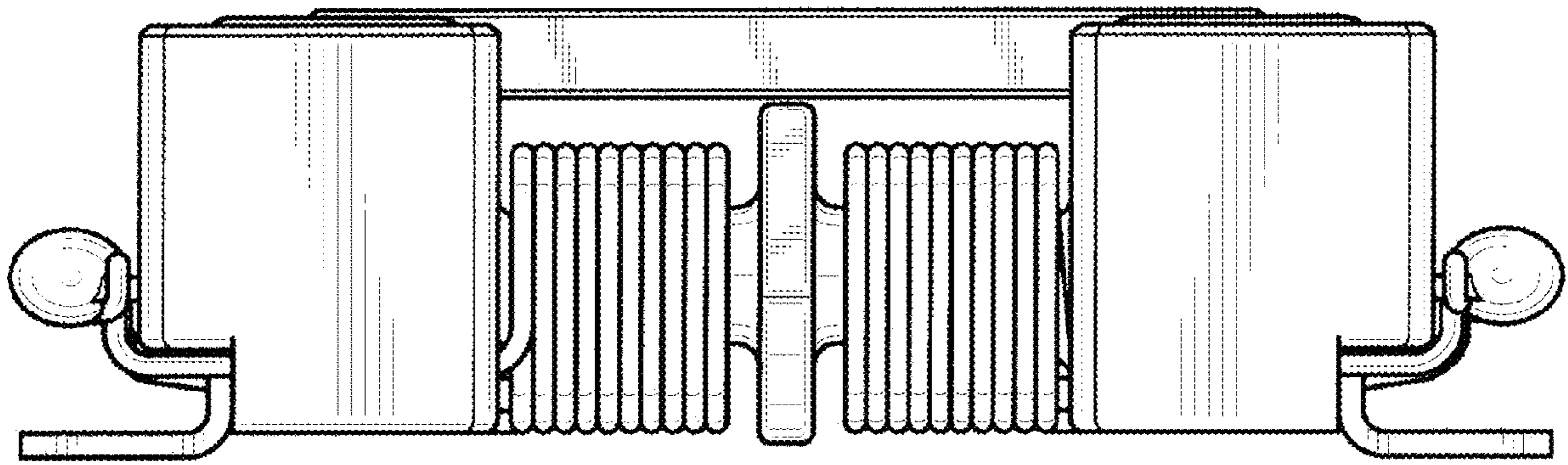


FIG. 11

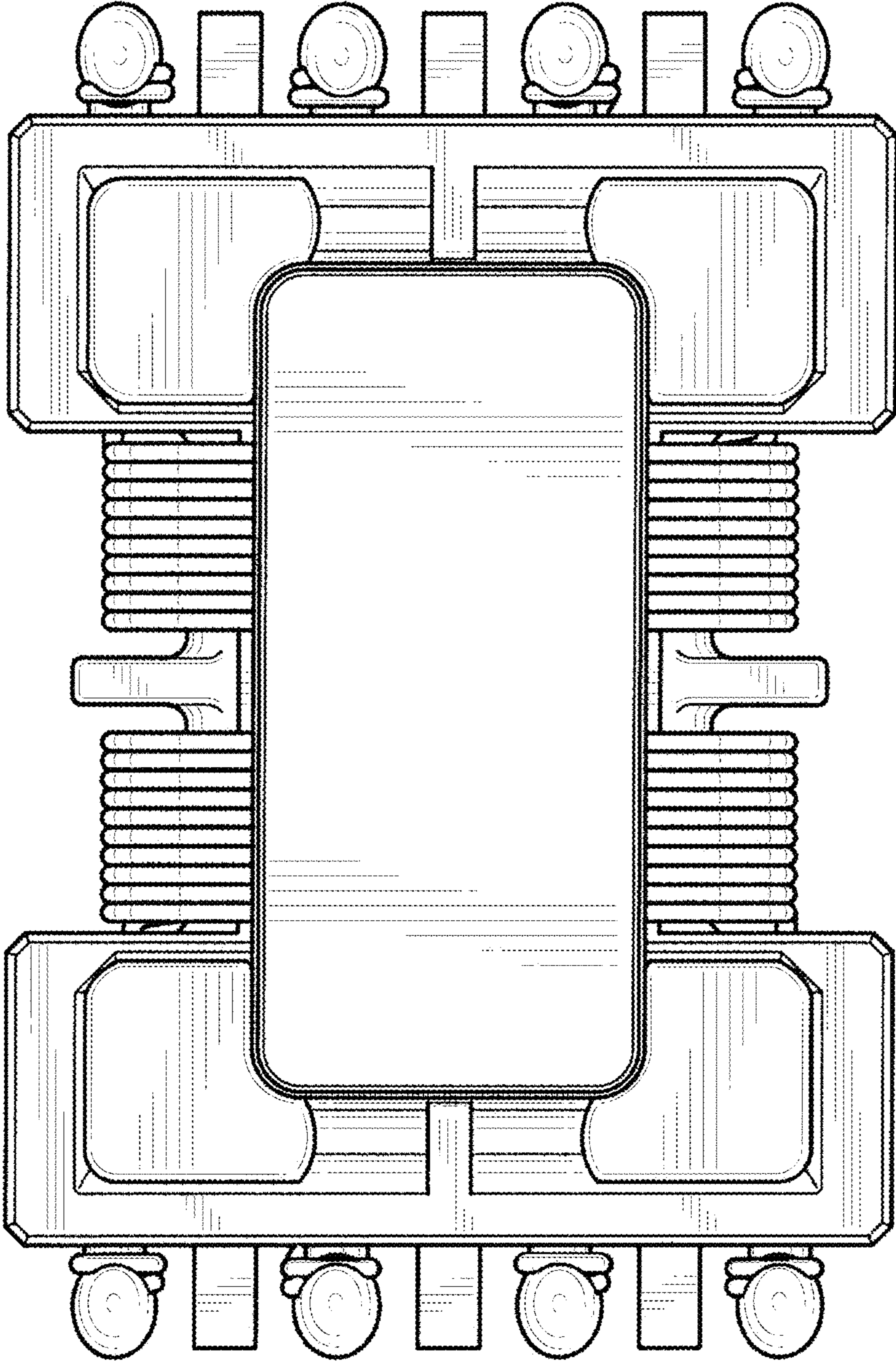


FIG. 12

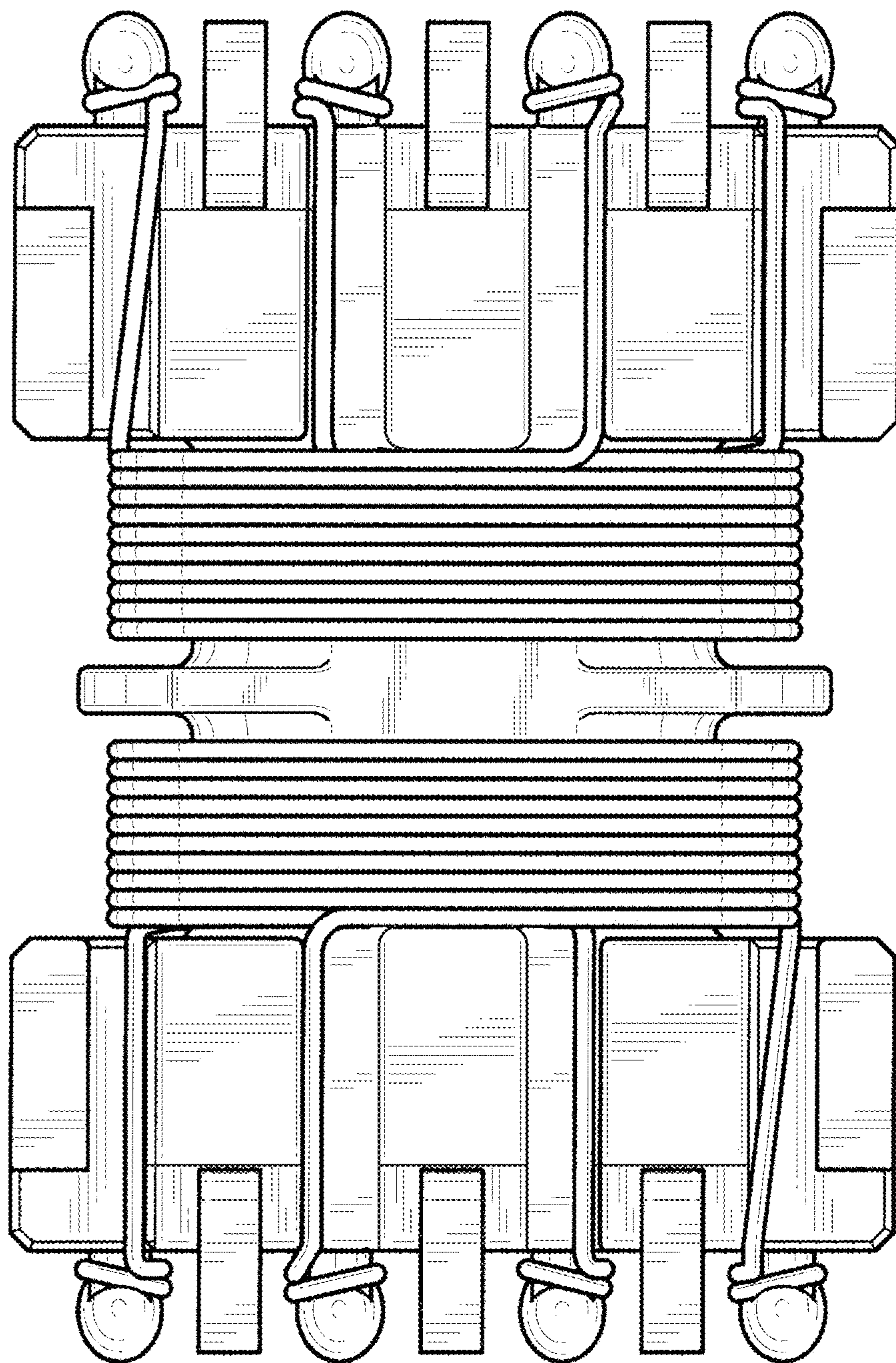


FIG. 13

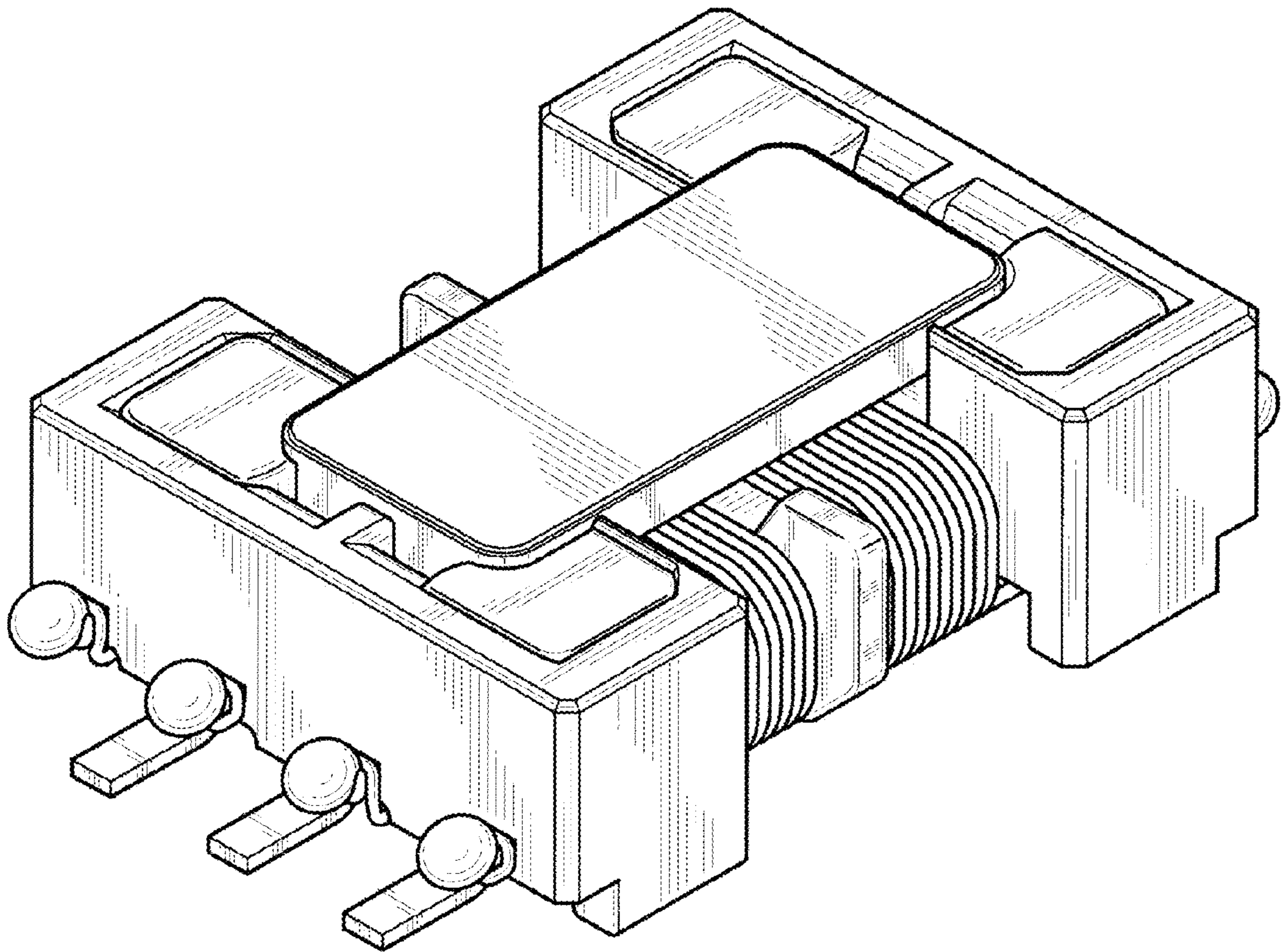


FIG. 14