



US00D901383S

(12) **United States Design Patent** (10) **Patent No.:** **US D901,383 S**
Pang (45) **Date of Patent:** **** Nov. 10, 2020**

- (54) **WALL CHARGER**
- (71) Applicant: **Shenzhen Good-She Technology Co., Ltd., Guangdong (CN)**
- (72) Inventor: **Guodong Pang, Shenzhen (CN)**
- (73) Assignee: **Shenzhen Good-She Technology Co., Ltd., Shenzhen (CN)**
- (**) Term: **15 Years**
- (21) Appl. No.: **29/663,633**
- (22) Filed: **Sep. 18, 2018**
- (51) **LOC (12) Cl.** **13-02**
- (52) **U.S. Cl.**
USPC **D13/110**
- (58) **Field of Classification Search**
USPC D13/103, 107, 108, 110, 118, 119, 123, D13/133, 137.1, 137.2, 137.3, 137.4, D13/138.1, 138.2, 139.1, 139.2, 139.3, D13/139.4, 139.5, 139.6, 139.7, 139.8, D13/152, 153, 154, 184, 199
CPC H01R 25/00; H01R 25/006; H01R 13/00; H01R 13/04; H01R 13/10; H01R 13/6666; H01R 13/6675; H01R 9/00; H01R 11/00
See application file for complete search history.

- (56) **References Cited**
U.S. PATENT DOCUMENTS
6,358,076 B1 * 3/2002 Haag H01R 13/6395 439/320
8,105,106 B1 * 1/2012 Stoddard H01R 13/717 362/95
8,142,228 B1 * 3/2012 Wu H01R 27/02 439/628
D693,767 S * 11/2013 Zaslavsky D13/110
D702,633 S * 4/2014 Andre H01R 31/065 D13/110

- D735,669 S * 8/2015 Kelly D13/138.1
- D753,661 S * 4/2016 Daniel D14/433
- 9,537,276 B1 * 1/2017 Cai H01R 31/06
- D778,914 S * 2/2017 Huang D13/110
- D788,709 S * 6/2017 Yeo D13/137.2
- D790,465 S * 6/2017 Zhao D13/110
- D799,422 S * 10/2017 Chen D13/108
- D807,822 S * 1/2018 Senff D13/110
- D808,903 S * 1/2018 Koenig D13/110
- 9,882,313 B2 * 1/2018 Steinbuchel, IV H01R 31/06
- D819,566 S * 6/2018 Hung D13/110
- D826,858 S * 8/2018 Little D13/137.2
- D826,859 S * 8/2018 Little D13/137.2
- D864,863 S * 10/2019 Lee D13/110
- D867,287 S * 11/2019 Akana D13/110
- D867,295 S * 11/2019 Shaopeng D13/137.2
- D867,989 S * 11/2019 Akana D13/110
- 10,483,694 B2 * 11/2019 Crowder H01R 13/447

(Continued)

Primary Examiner — Susan Bennett Hattan
Assistant Examiner — Susanne E Tisdell
(74) *Attorney, Agent, or Firm* — JCIP Global Inc.

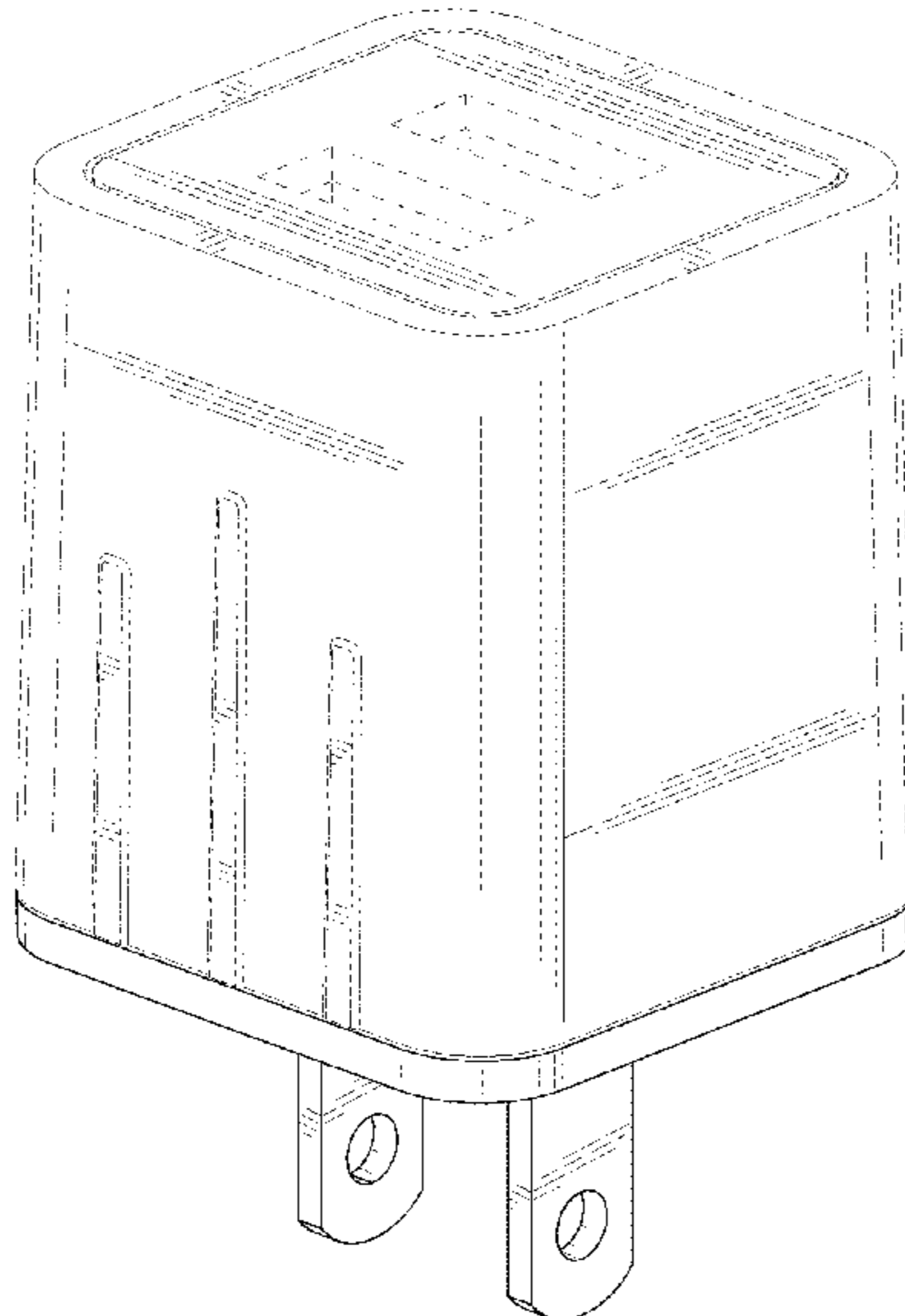
(57) **CLAIM**

The ornamental design for a wall charger, as shown and described.

DESCRIPTION

FIG. 1 is a first perspective view of a wall charger showing my present design;
FIG. 2 is a second perspective view thereof;
FIG. 3 is a third perspective view thereof;
FIG. 4 is a front view thereof;
FIG. 5 is a rear view thereof;
FIG. 6 is a left side view thereof;
FIG. 7 a right side view thereof;
FIG. 8 is a top view thereof; and,
FIG. 9 is a bottom view thereof.
The broken lines in the drawings are for the purpose of illustrating portions of the wall charger that form no part of the claimed design.

1 Claim, 9 Drawing Sheets



(56)

References Cited

U.S. PATENT DOCUMENTS

D874,400 S * 2/2020 Akana D13/110
D874,403 S * 2/2020 Canizares D13/137.2
D879,714 S * 3/2020 Zhang D13/110

* cited by examiner

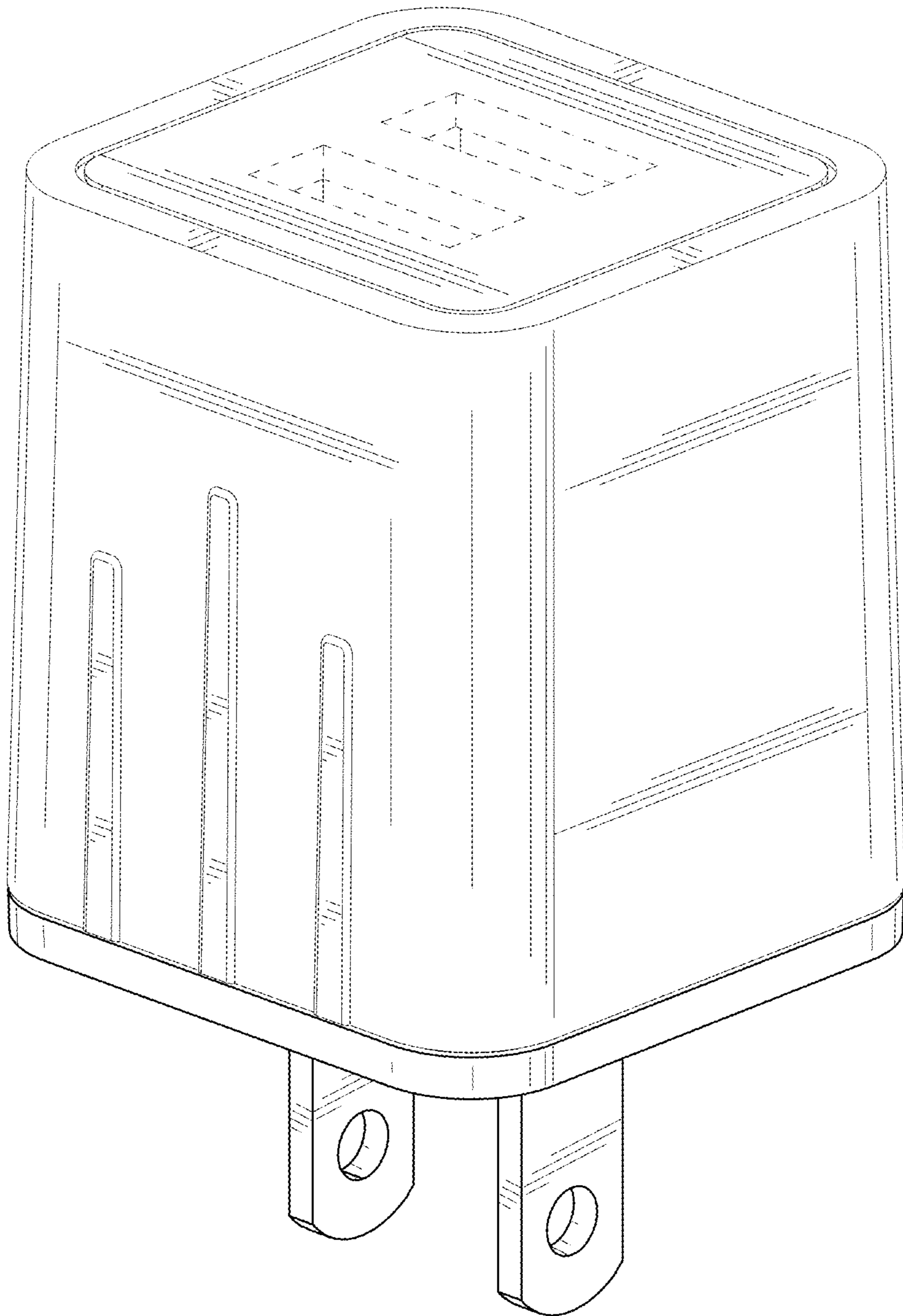


FIG. 1

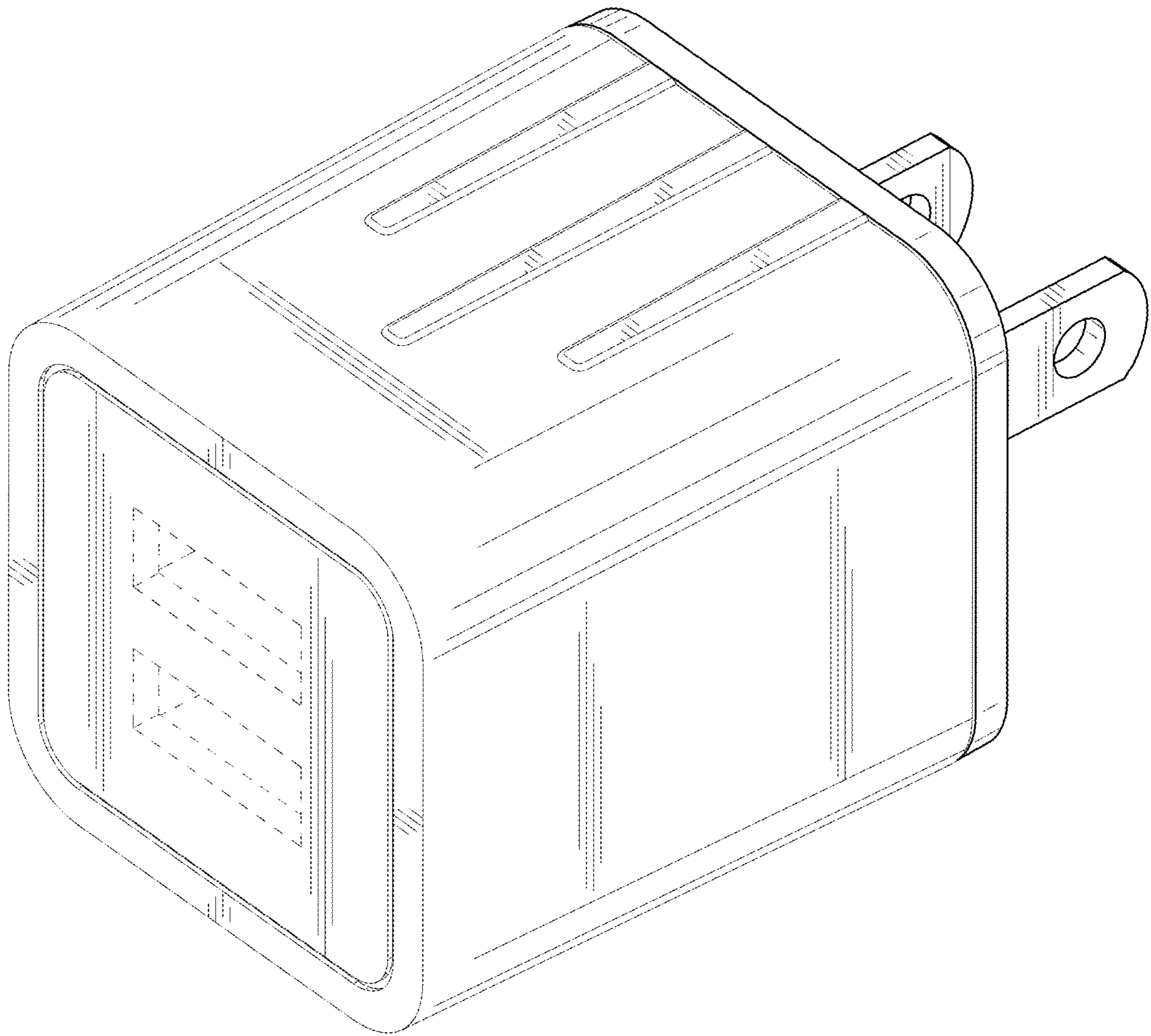


FIG. 2

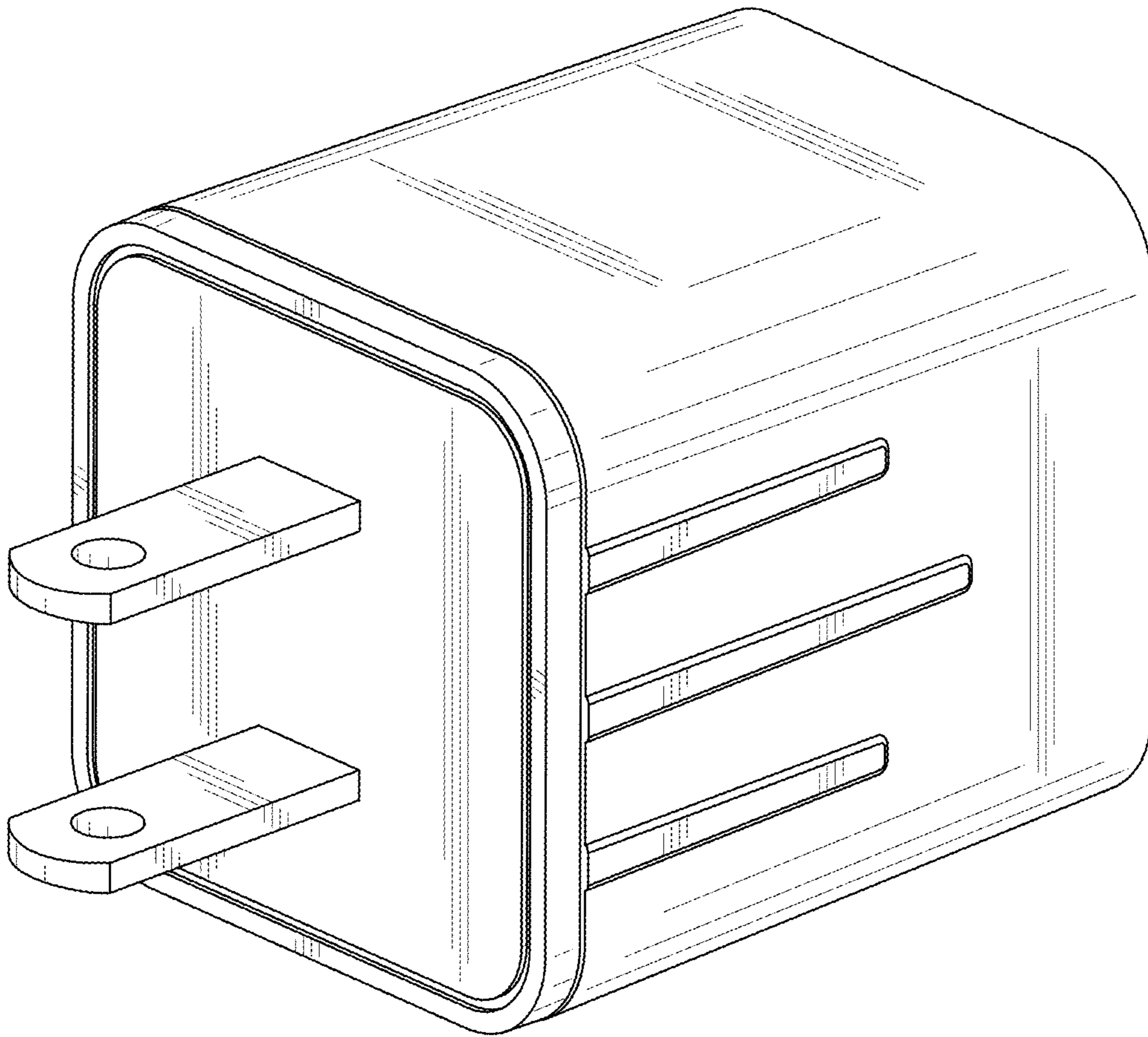


FIG. 3

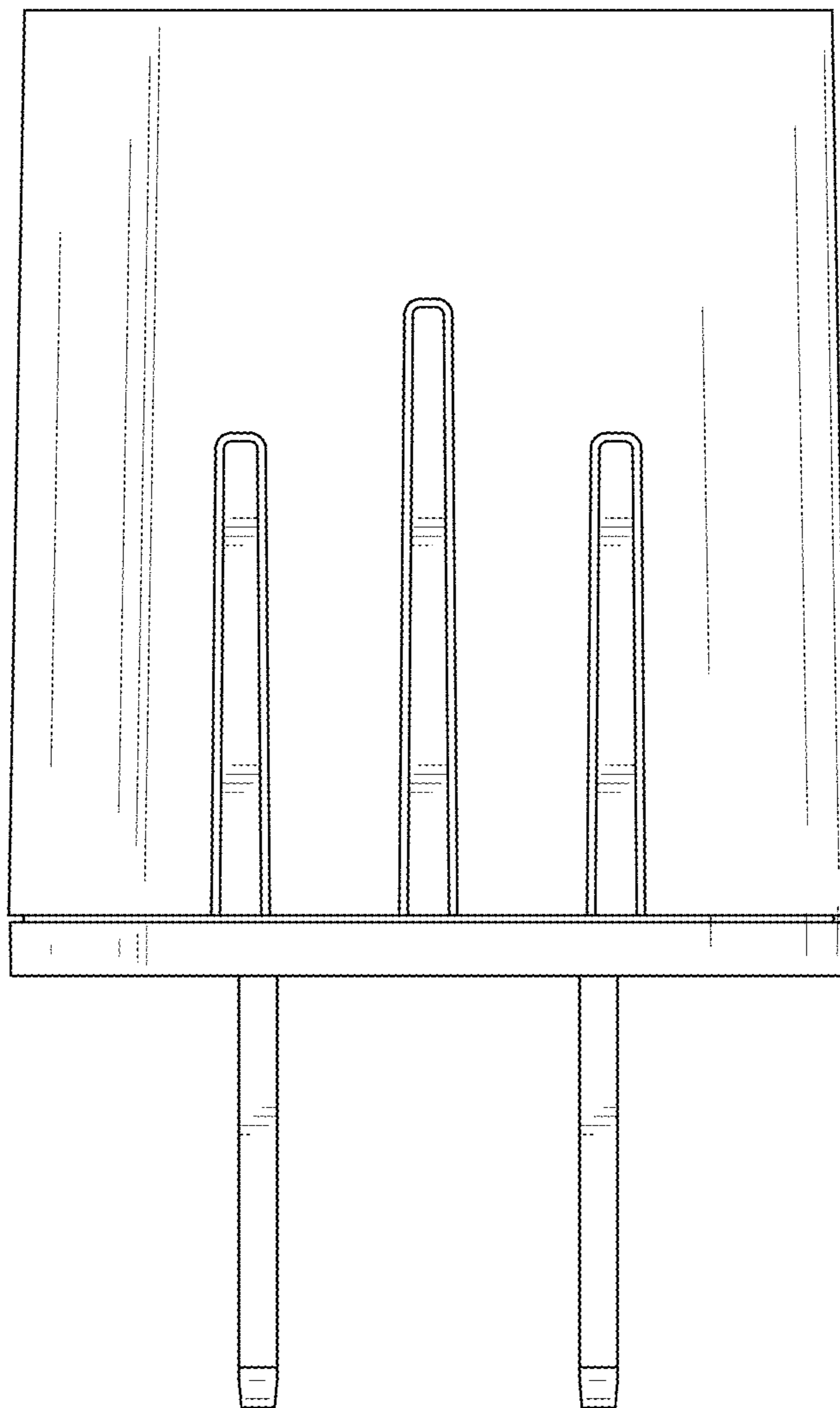


FIG. 4

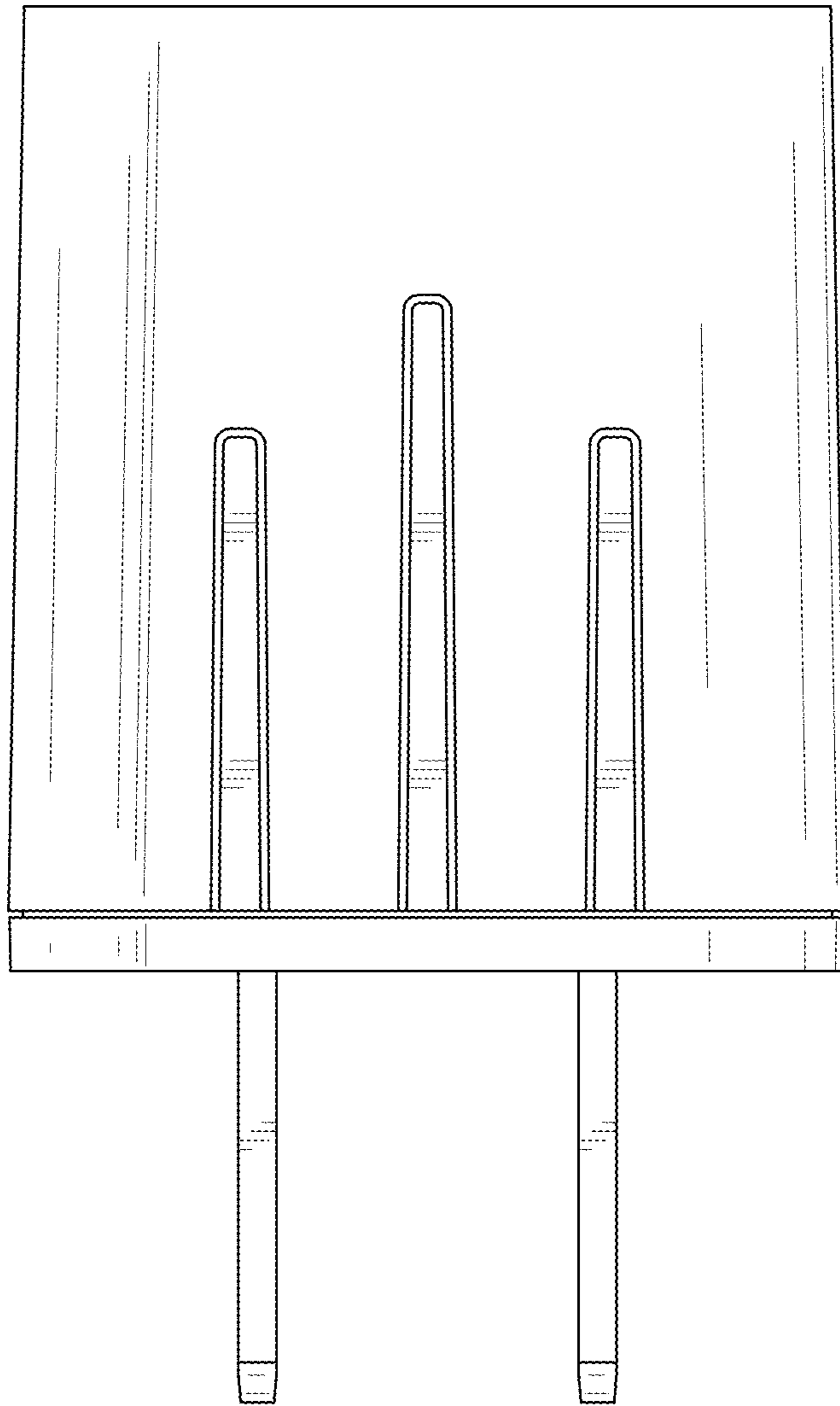


FIG. 5

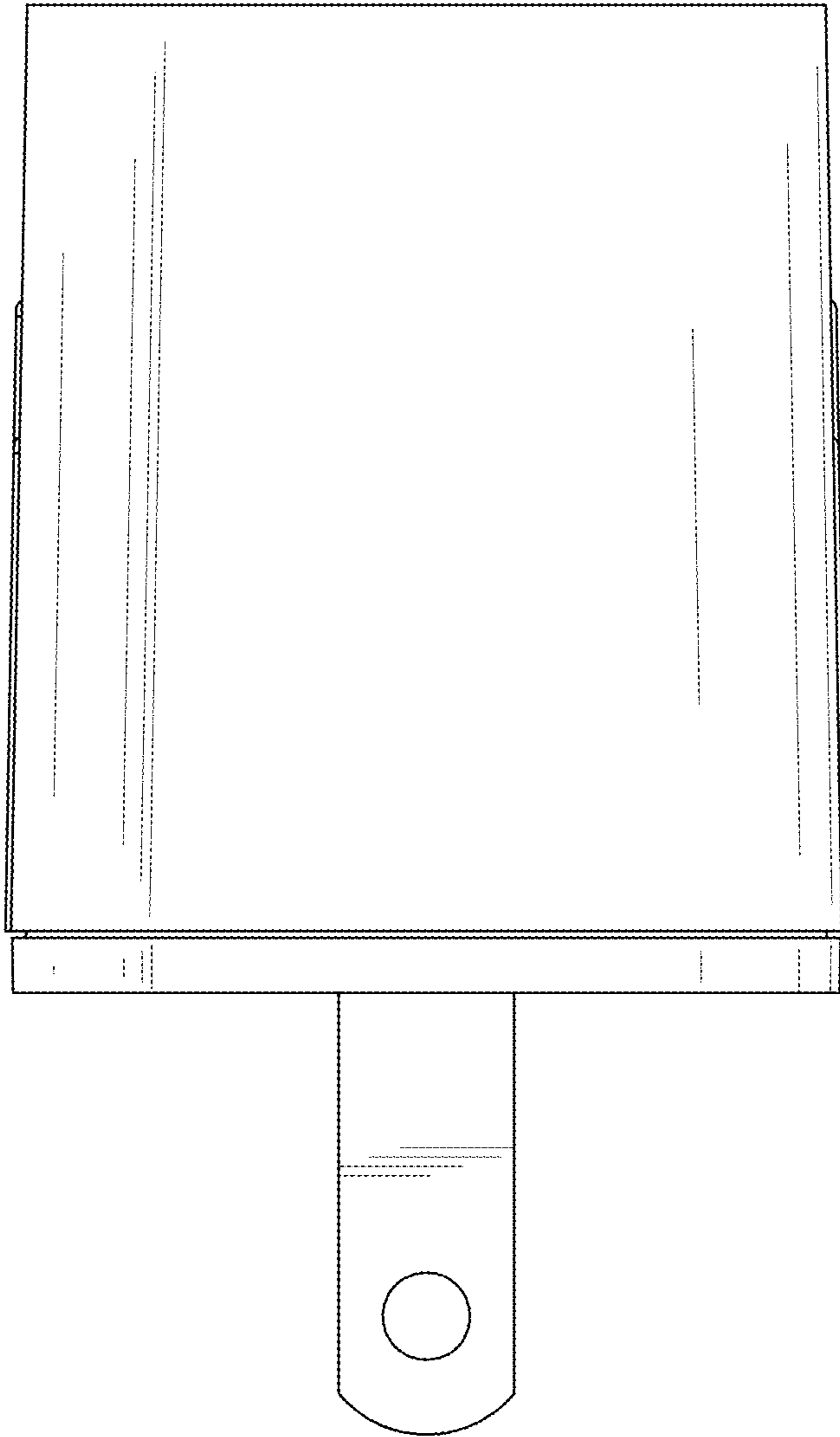


FIG. 6

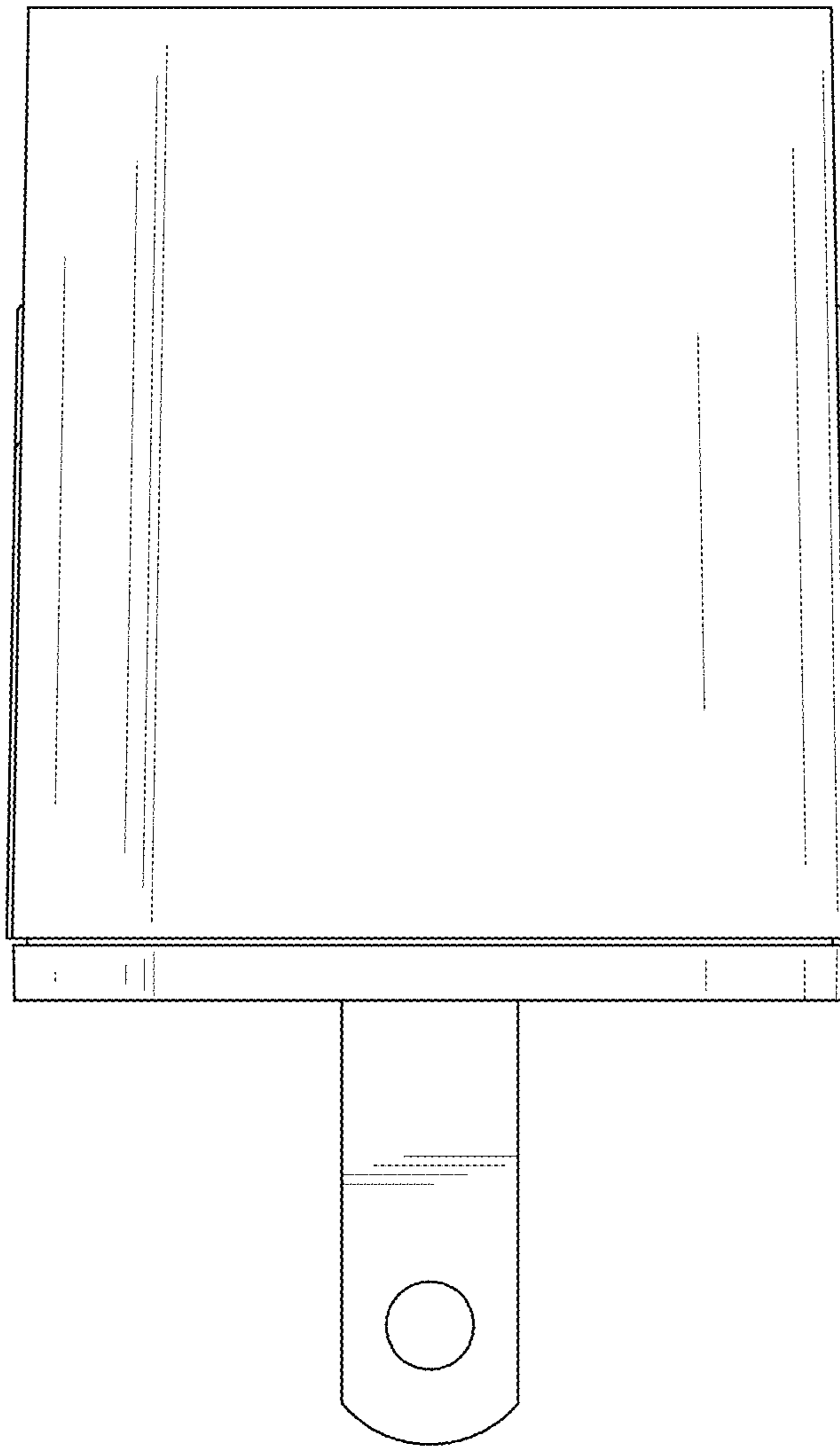


FIG. 7

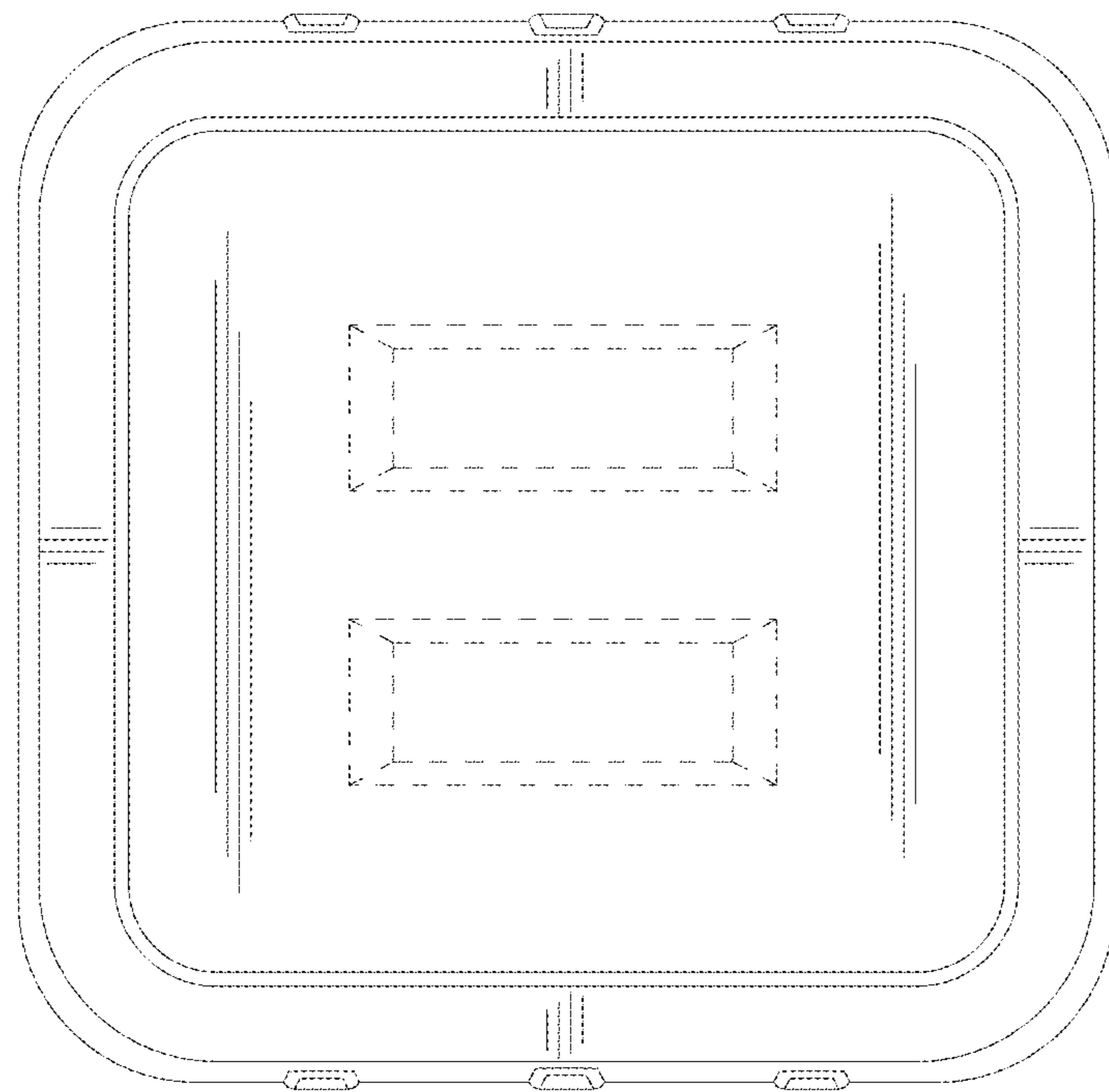


FIG. 8

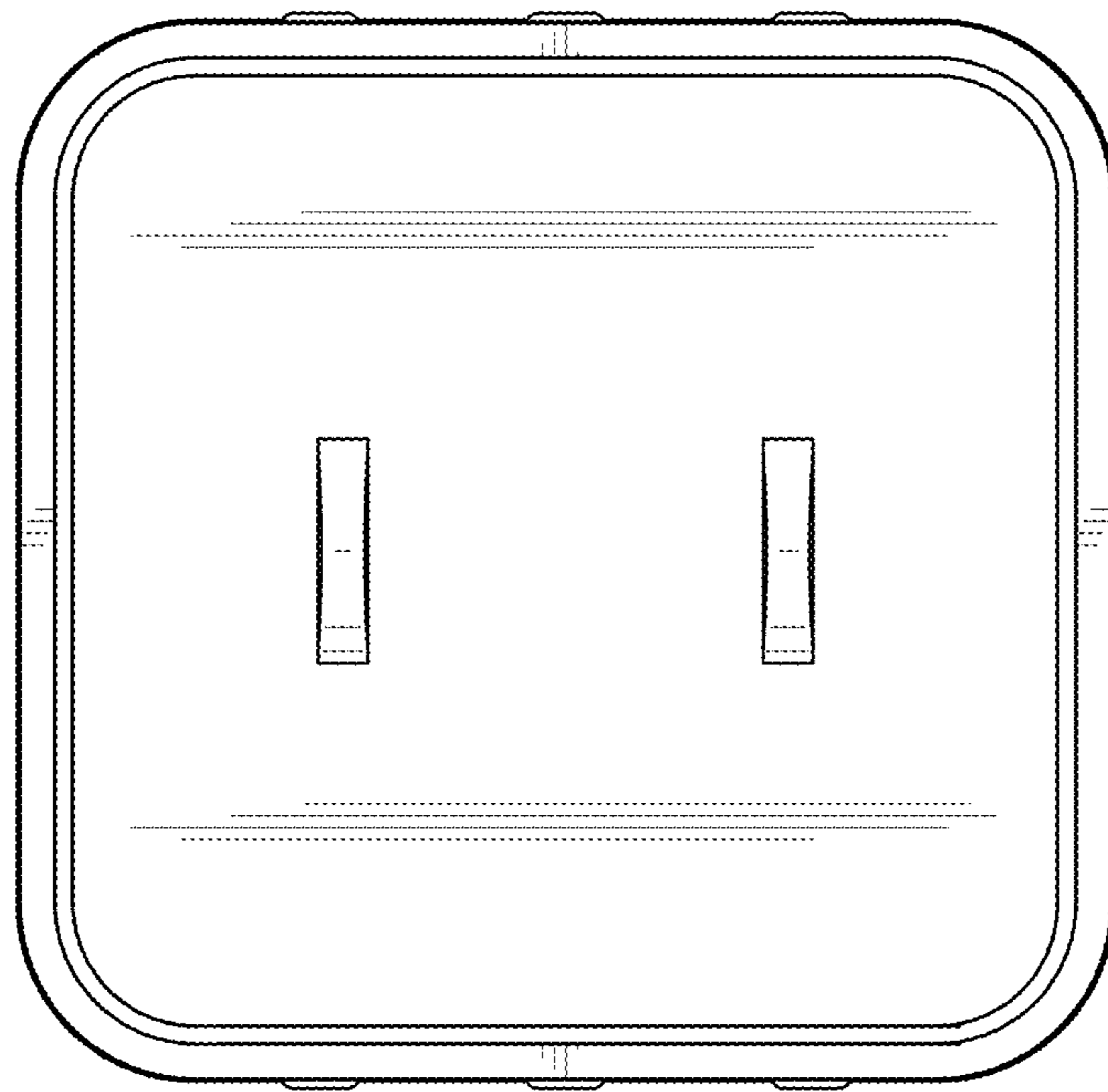


FIG. 9