



US00D901379S

(12) **United States Design Patent** (10) **Patent No.:** **US D901,379 S**  
**Choi et al.** (45) **Date of Patent:** **\*\* Nov. 10, 2020**

(54) **WIRELESS CHARGER**

FOREIGN PATENT DOCUMENTS

(71) Applicant: **SAMSUNG ELECTRONICS CO., LTD.**, Suwon-si (KR)

WO DM081990 9/2013

(72) Inventors: **Eun Ha Choi**, Seoul (KR); **Min Ki Ham**, Seoul (KR); **Jong Hyuk Bae**, Seoul (KR)

OTHER PUBLICATIONS

Mophie vs. RavPower vs. Belkin Wireless Charging Pad Review—Digital Trends. [online]. pp. 1-9 [retrieved on Aug. 14, 2019]. Retrieved from the Internet: <URL: <https://www.digitaltrends.com/mobile/iphone-8-wireless-charging-pads-review/>>.

(73) Assignee: **SAMSUNG ELECTRONICS CO., LTD.**, Gyeonggi-Do (KR)

(Continued)

(\*\*) Term: **15 Years**

*Primary Examiner* — Rosemary K Tarcza

(21) Appl. No.: **29/691,445**

(74) *Attorney, Agent, or Firm* — Cantor Colburn LLP

(22) Filed: **May 16, 2019**

(57) **CLAIM**

(30) **Foreign Application Priority Data**

The ornamental design for a wireless charger, as shown and described.

Nov. 16, 2018 (KR) ..... 30-2018-0053242

(51) **LOC (12) Cl.** ..... **13-02**

**DESCRIPTION**

(52) **U.S. Cl.**

USPC ..... **D13/108**

(58) **Field of Classification Search**

USPC ..... D13/103, 107–108, 110, 184, 199; D14/251, 253, 432, 434

CPC ..... H02J 7/0044; H02J 7/0045; H02J 7/0042; H02J 7/342; H02J 7/345; H02J 7/025; H02J 7/026; H02J 7/0007; H02J 7/0027; H02J 7/0003; H02J 50/00; H02J 50/10; H02J 50/12; H02J 50/80; H02J 50/40; H02J 50/402; H02J 50/50

See application file for complete search history.

FIG. 1 is a top perspective view of a wireless charger, showing our new design;  
FIG. 2 is a front view thereof;  
FIG. 3 is a rear view thereof;  
FIG. 4 is a left-side view thereof;  
FIG. 5 is a right-side view thereof;  
FIG. 6 is a top view thereof;  
FIG. 7 is a bottom view thereof;  
FIG. 8 is a bottom perspective view thereof;  
FIG. 9 is a cross-sectional view taken through line 9-9 of FIG. 6;  
FIG. 10 is an enlarged view of the encircled portion '10' in FIG. 9; and,  
FIG. 11 is another top perspective view thereof in an environment of use.

The even-dash broken lines illustrating portions of the wireless charger form no part of the claimed design. The dot-dot-dash broken lines encircling enlargement portions of the claimed design form no part of the claimed design.

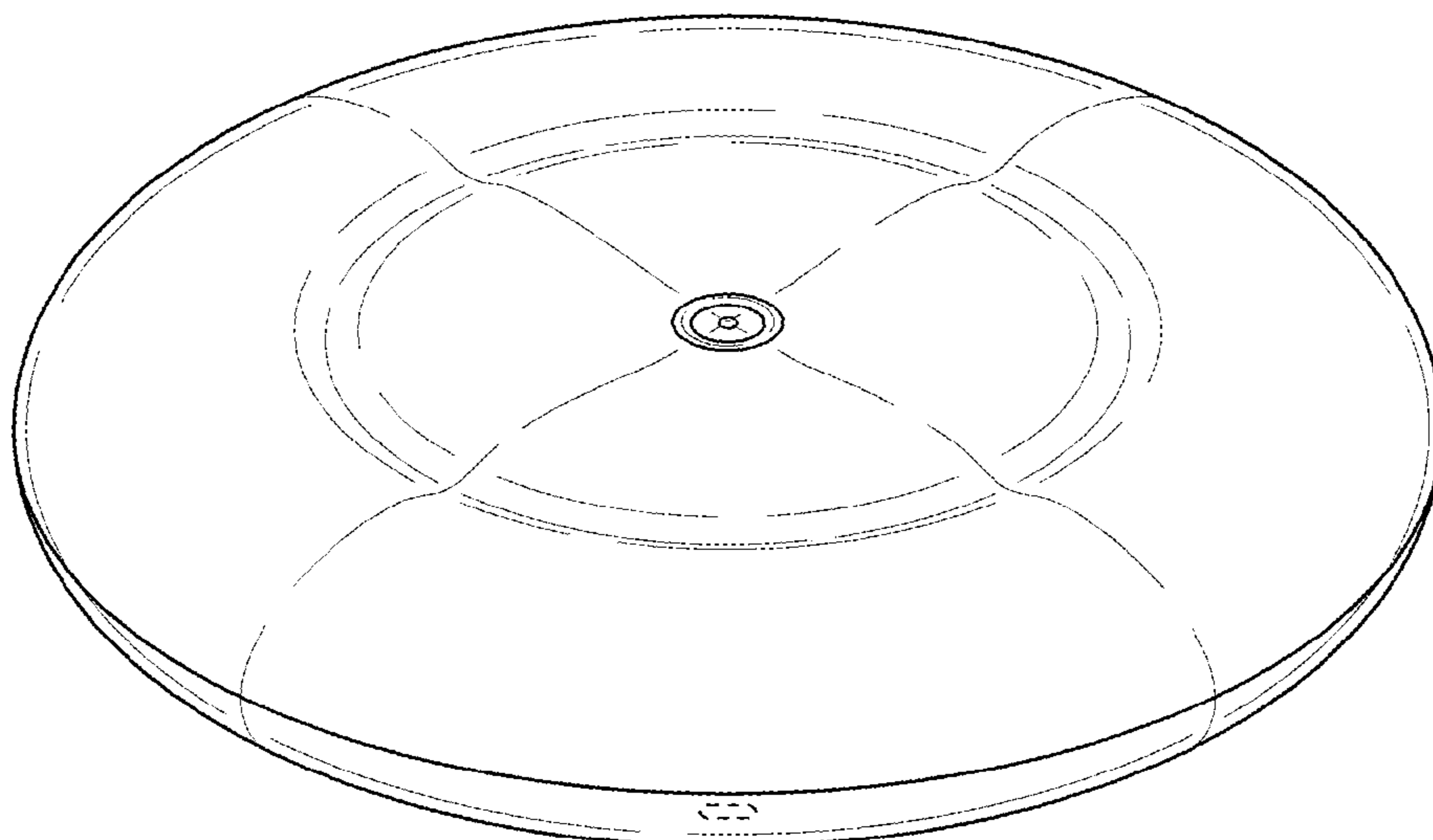
(56) **References Cited**

U.S. PATENT DOCUMENTS

D526,973 S \* 8/2006 Gates ..... D13/168  
D645,818 S \* 9/2011 Guccione ..... D13/108  
D694,182 S \* 11/2013 Lee ..... D13/108  
D700,571 S \* 3/2014 Guccione ..... D13/108  
D718,234 S \* 11/2014 Rautiainen ..... D13/108

(Continued)

**1 Claim, 7 Drawing Sheets**



(56)

**References Cited**

U.S. PATENT DOCUMENTS

D718,236 S \* 11/2014 Murray ..... D13/108  
 D720,289 S \* 12/2014 Chiang ..... D13/108  
 D735,131 S \* 7/2015 Akana ..... D13/108  
 D738,303 S \* 9/2015 Symons ..... D13/108  
 D740,750 S \* 10/2015 Mayden ..... D13/108  
 D749,504 S \* 2/2016 Jeong ..... D13/108  
 D772,813 S \* 11/2016 Wahl ..... D13/108  
 D777,100 S \* 1/2017 Price ..... D13/103  
 D782,973 S \* 4/2017 Zhou ..... D13/108  
 D784,259 S \* 4/2017 Huang ..... D13/108  
 D786,791 S \* 5/2017 Jeong ..... D13/108  
 D794,557 S \* 8/2017 Kim ..... D13/108  
 D795,182 S \* 8/2017 Akana ..... D13/108  
 D795,183 S \* 8/2017 Akana ..... D13/108  
 D797,042 S \* 9/2017 Miller ..... D13/107  
 D810,015 S \* 2/2018 Carreon ..... D13/108  
 D811,326 S \* 2/2018 Woo ..... D13/108

D812,563 S \* 3/2018 Akana ..... D13/108  
 D817,268 S \* 5/2018 Symons ..... D13/108  
 D825,549 S \* 8/2018 Lebovitz ..... D14/253

OTHER PUBLICATIONS

Stackable power banks (for easy charging)—Liliputing. [online]. pp. 1-8 [retrieved on Aug. 14, 2019]. Retrieved from the Internet: <URL: <https://liliputing.com/2015/01/stackable-power-banks-easy-charging.html>.  
 Waldo facial recognition lets parents track kids at camp—Gearbrain. pp. 1-11 [retrieved on Aug. 14, 2019]. Retrieved from the Internet: <URL: <https://www.gearbrain.com/waldo-camp-facial-recognition-software-2589892014.html>.  
 Xiaomi's Qi-based wireless charging mat for Mi Mix 2S cost just \$15. [online]. pp. 1-7 [retrieved on Aug. 14, 2019]. Retrieved from the Internet: <URL: <https://www.androidcentral.com/xiaomis-qi-based-wireless-charging-mat-mi-mix-2s-costs-just-15>.

\* cited by examiner

FIG.1

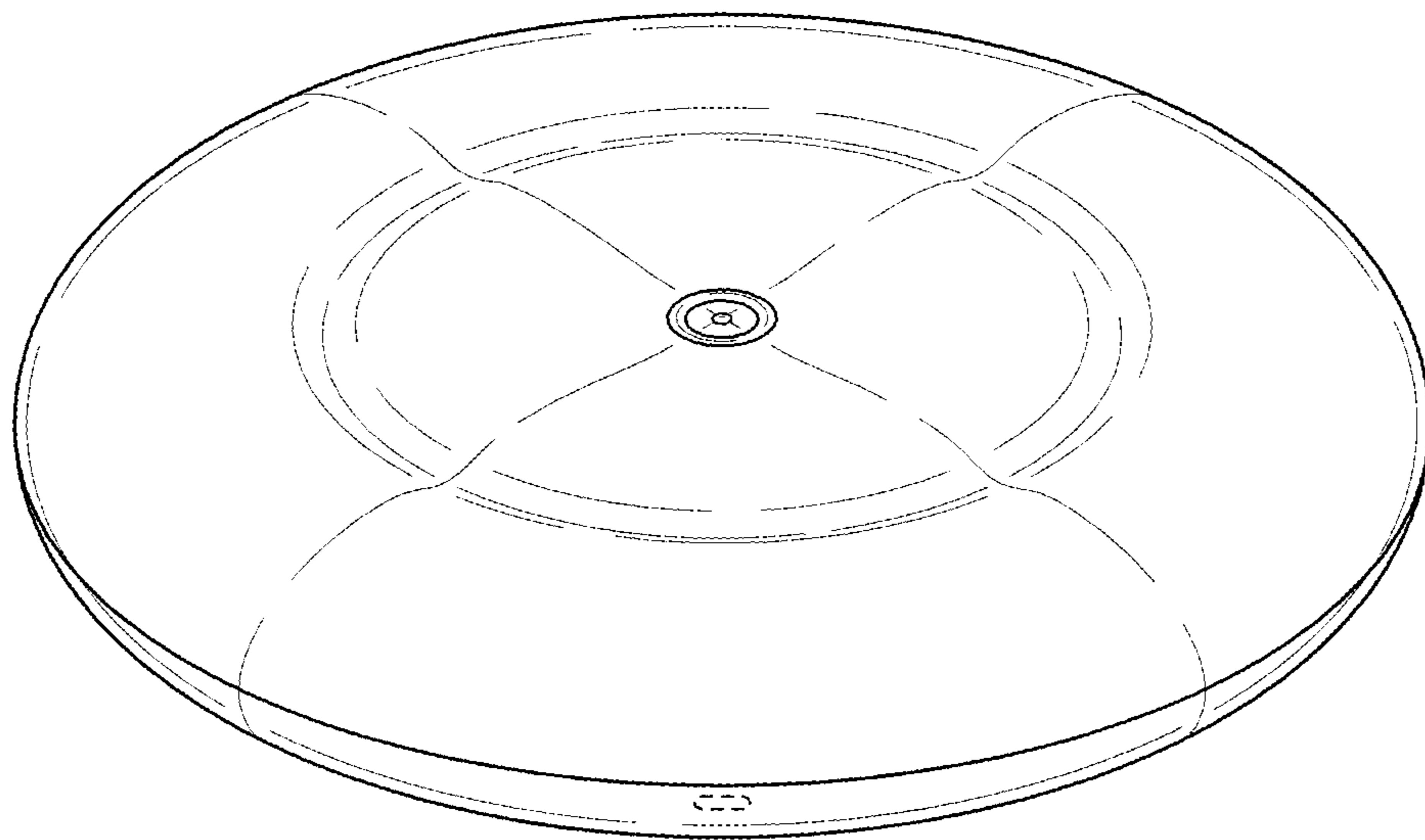


FIG.2

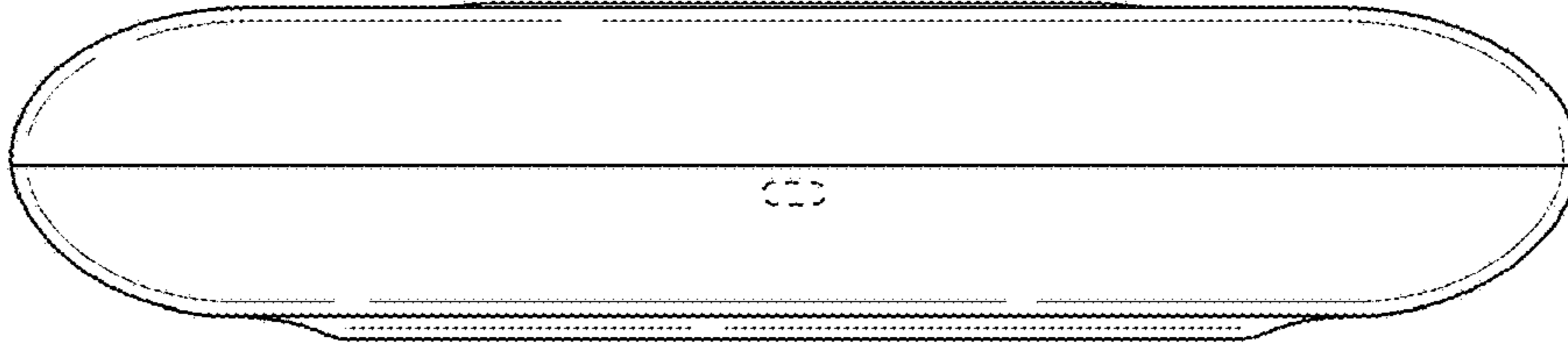


FIG.3

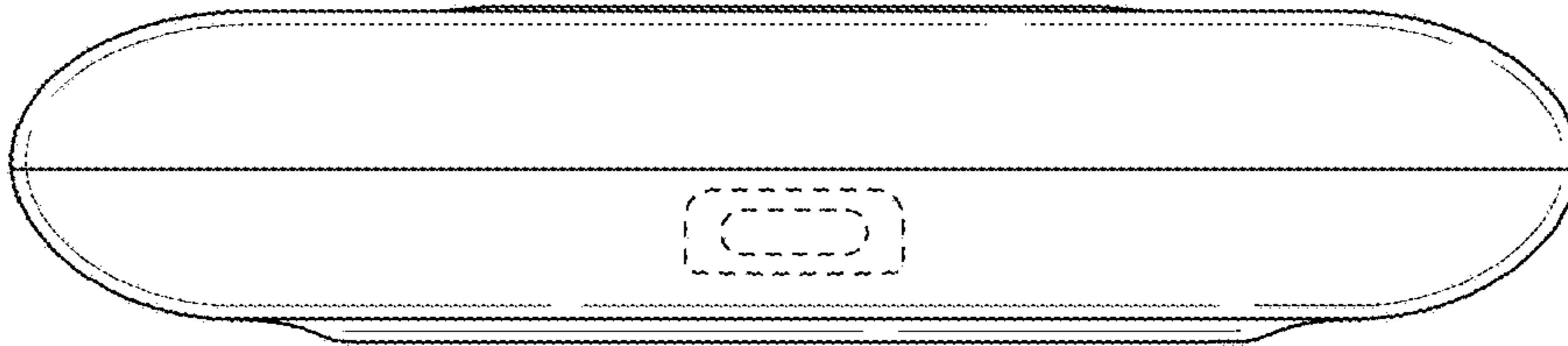


FIG.4

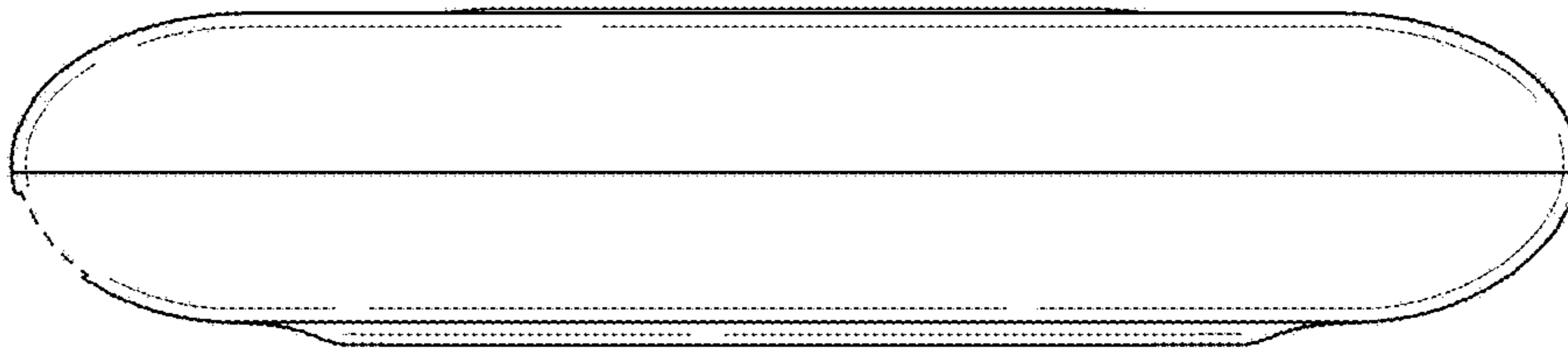


FIG.5

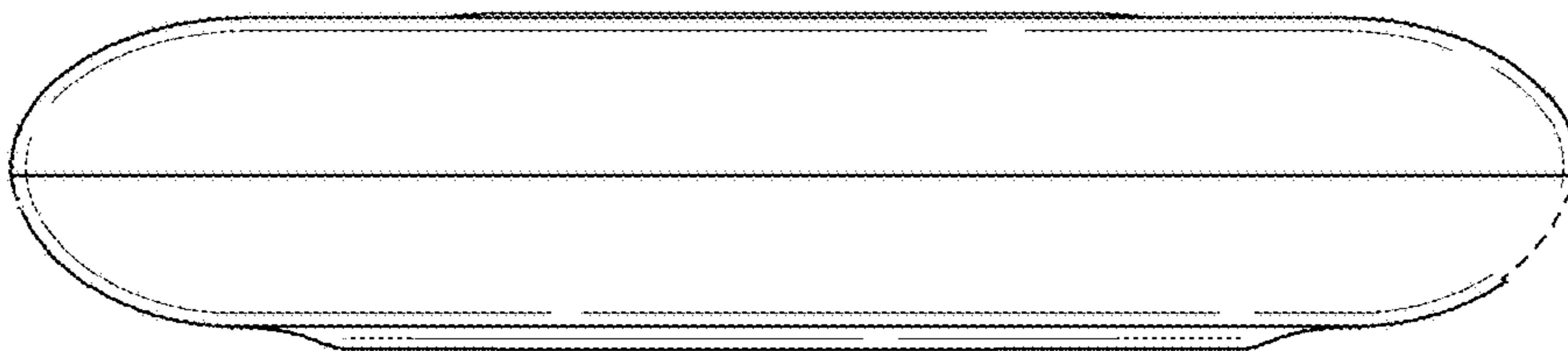


FIG.6

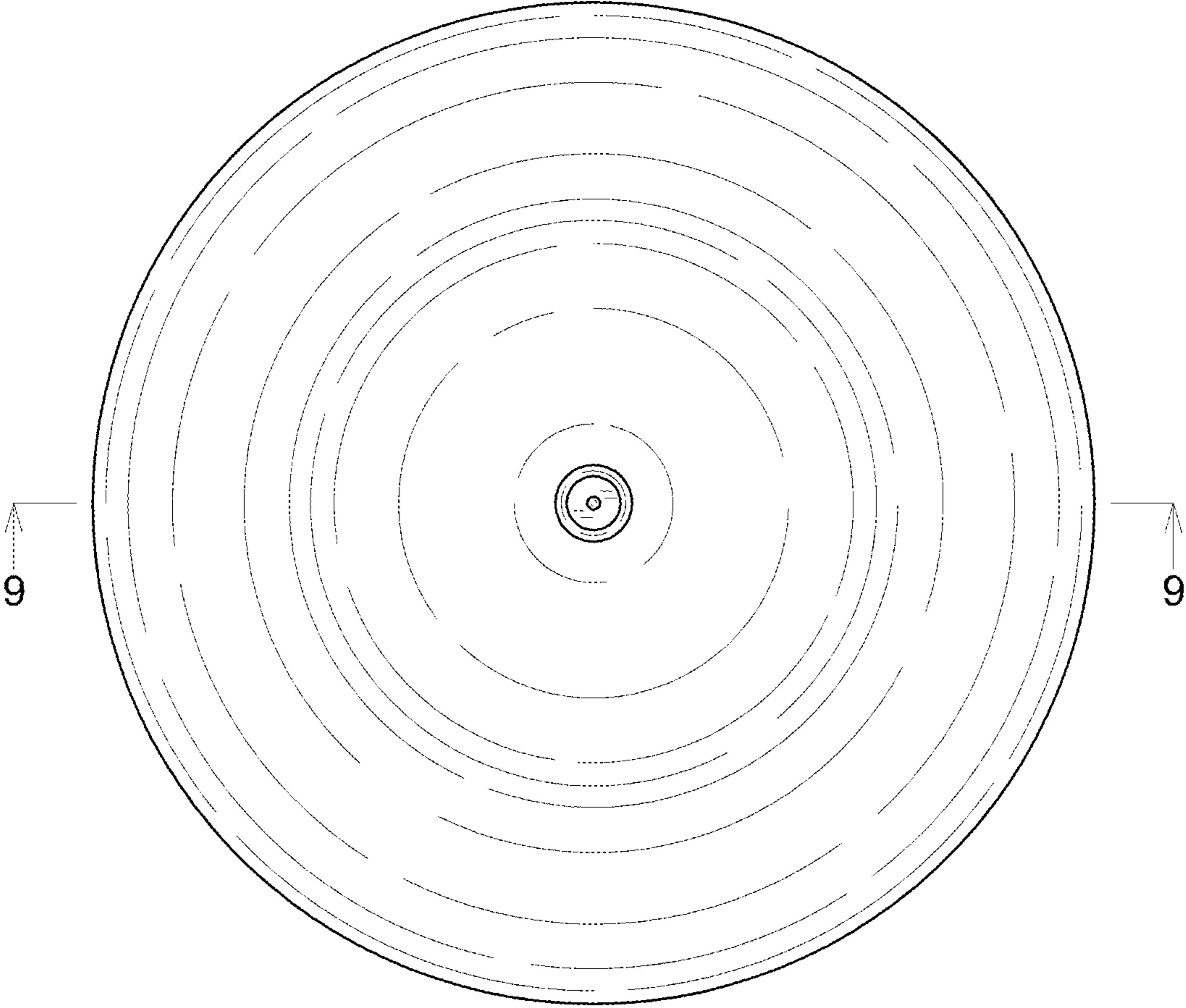


FIG.7

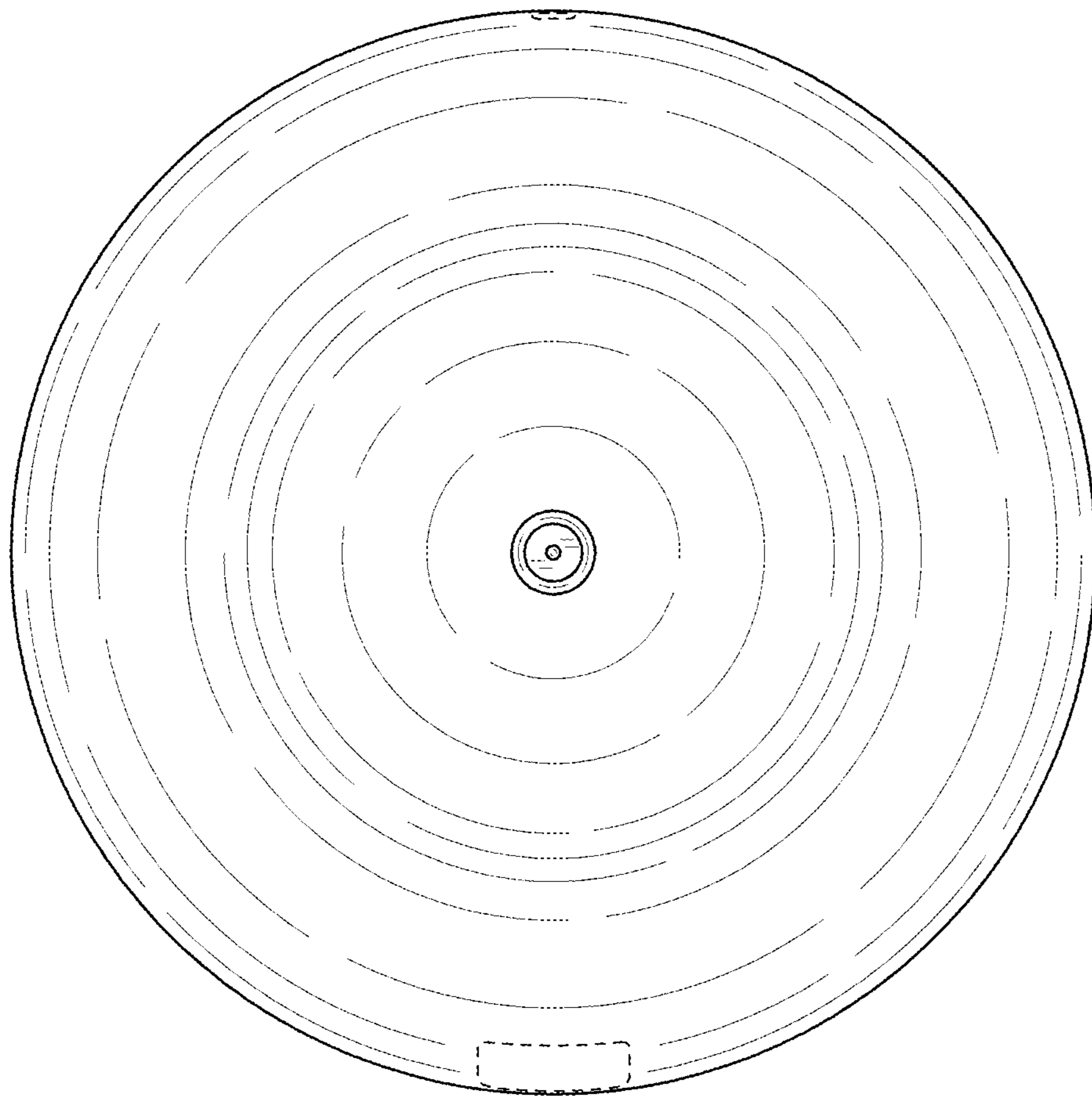


FIG.8

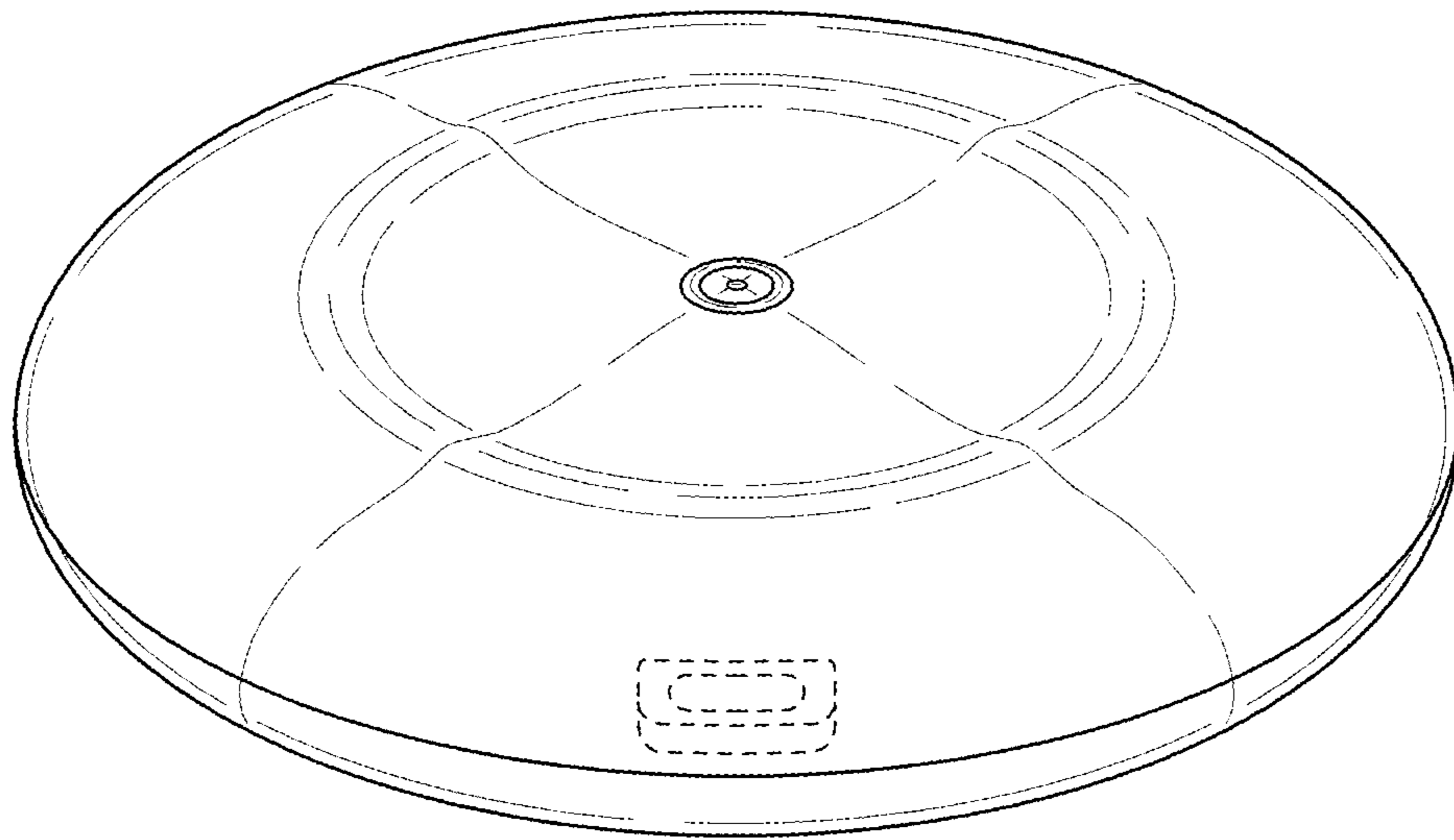


FIG.9

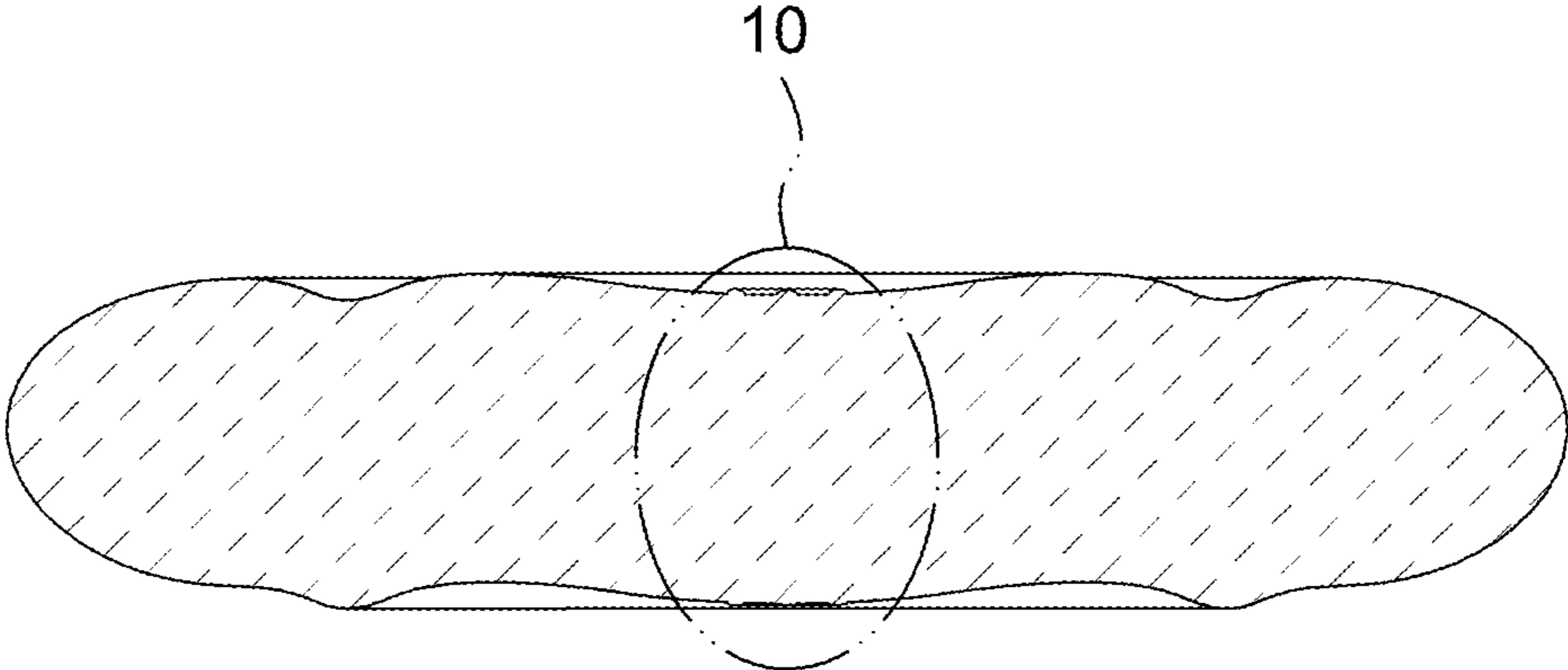


FIG.10

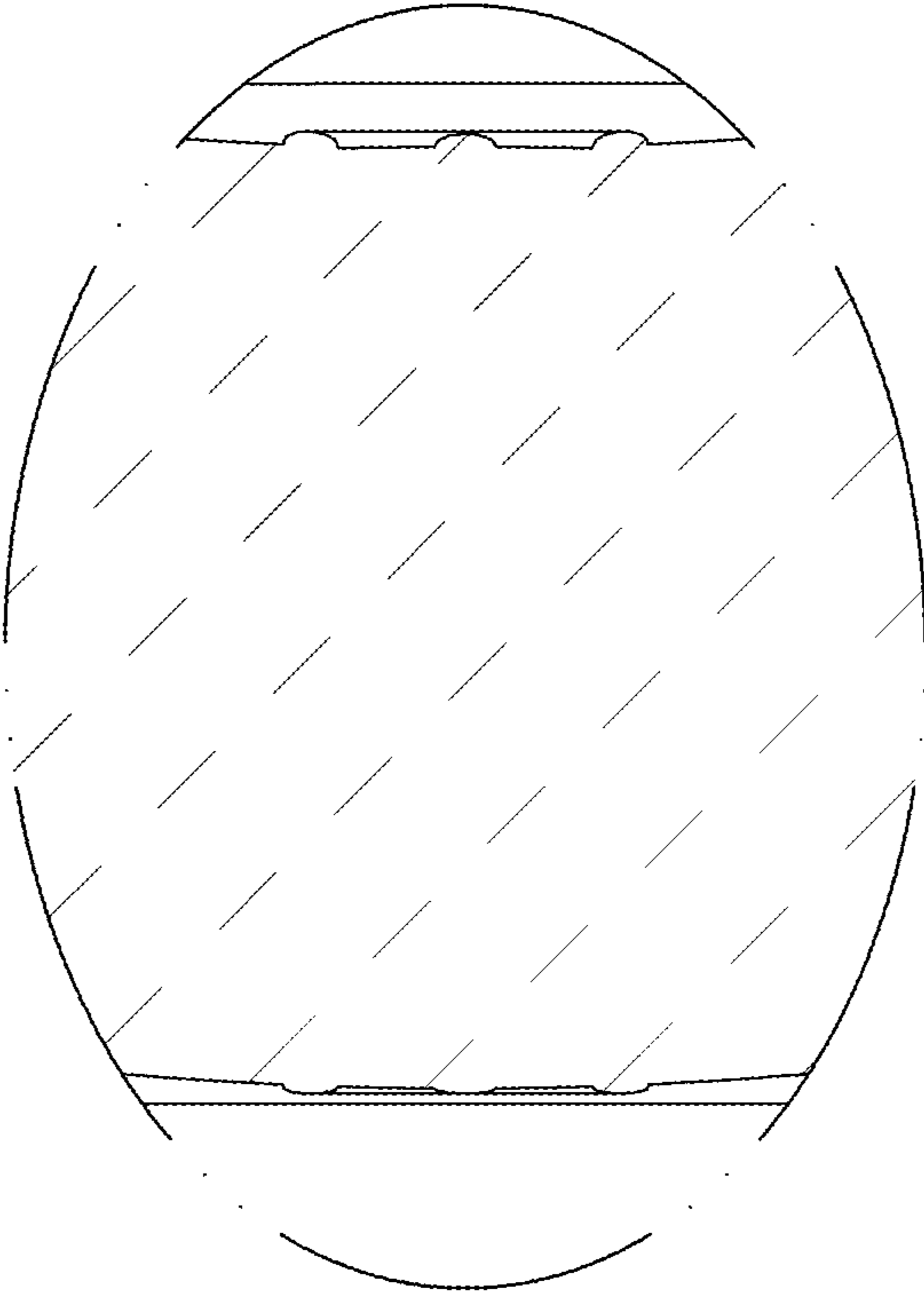




FIG.11

