



US00D901377S

(12) **United States Design Patent**  
**Zhou**

(10) **Patent No.:** **US D901,377 S**

(45) **Date of Patent:** **\*\* Nov. 10, 2020**

(54) **CHARGING CASE**

(71) Applicant: **Jiankang Zhou**, Guizhou (CN)

(72) Inventor: **Jiankang Zhou**, Guizhou (CN)

(73) Assignee: **SHENZHEN WUXIANYUNTU ELECTRONICS CO., LTD.**,  
Guangdong (CN)

(\*\*) Term: **15 Years**

(21) Appl. No.: **29/646,827**

(22) Filed: **May 7, 2018**

(51) **LOC (12) Cl.** ..... **13-02**

(52) **U.S. Cl.**  
USPC ..... **D13/108**

(58) **Field of Classification Search**

USPC ..... D13/107-110, 118-119, 184; D14/251,  
D14/253, 432, 434  
CPC ..... Y02E 60/12; Y02T 90/14; Y02T 90/122;  
Y02T 90/128; Y02T 90/163; H02J 7/025;  
H02J 7/0042; H02J 7/0044; H02J 7/0045;  
H02J 7/0003; H01F 38/14; H01R  
13/6675; H01M 2/1022; H01M 2/1055;  
H01M 10/44; H01M 10/46; H01M  
10/425; B60L 11/182

See application file for complete search history.

(56) **References Cited**

**U.S. PATENT DOCUMENTS**

D553,077 S \* 10/2007 Kim ..... D13/108  
D653,206 S \* 1/2012 Heine ..... D13/108

D736,701 S \* 8/2015 Shigeno ..... D13/108  
D791,077 S \* 7/2017 Tsou ..... D13/108  
D813,806 S \* 3/2018 Ito ..... D13/108  
D826,152 S \* 8/2018 Christiansen ..... D13/108  
D841,580 S \* 2/2019 Bao ..... D13/108  
D841,581 S \* 2/2019 Bonahoom ..... D13/108  
D850,365 S \* 6/2019 Loermann ..... D13/107

\* cited by examiner

*Primary Examiner* — Rosemary K Tarcza

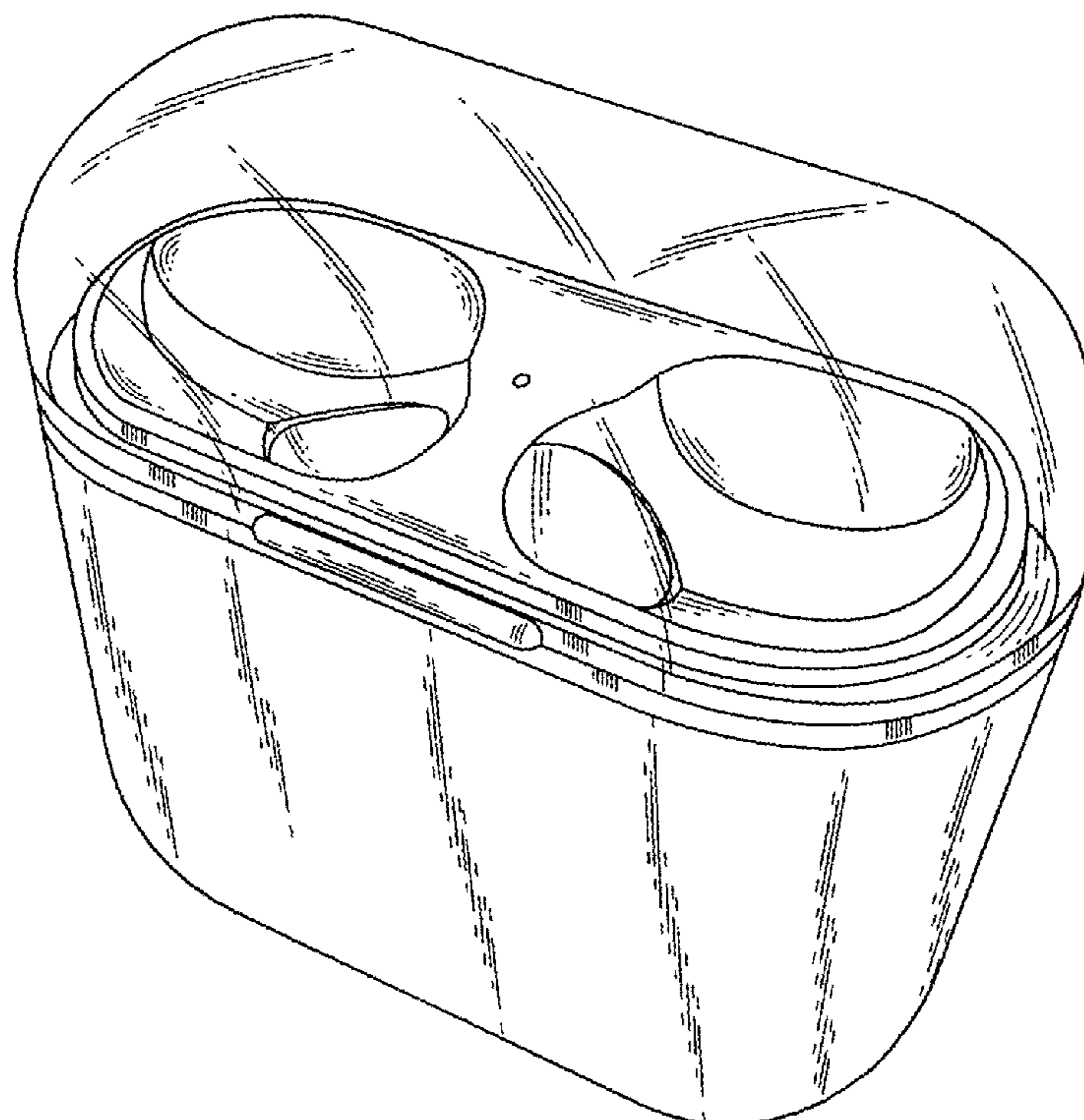
(57) **CLAIM**

I claim the ornamental design for a charging case, as shown and described.

**DESCRIPTION**

FIG. 1 is a perspective view of a charging case showing my new design;  
FIG. 2 is a front elevational view thereof;  
FIG. 3 is a rear elevational view thereof;  
FIG. 4 is a left side elevational view thereof;  
FIG. 5 is a right side elevational view thereof;  
FIG. 6 is a top plan view thereof;  
FIG. 7 is a bottom plan view thereof; and,  
FIG. 8 is a perspective view thereof, shown in an open position.  
The broken lines shown in the drawings are for the purpose of illustrating portions of the charging case that form no part of the claimed design.

**1 Claim, 8 Drawing Sheets**



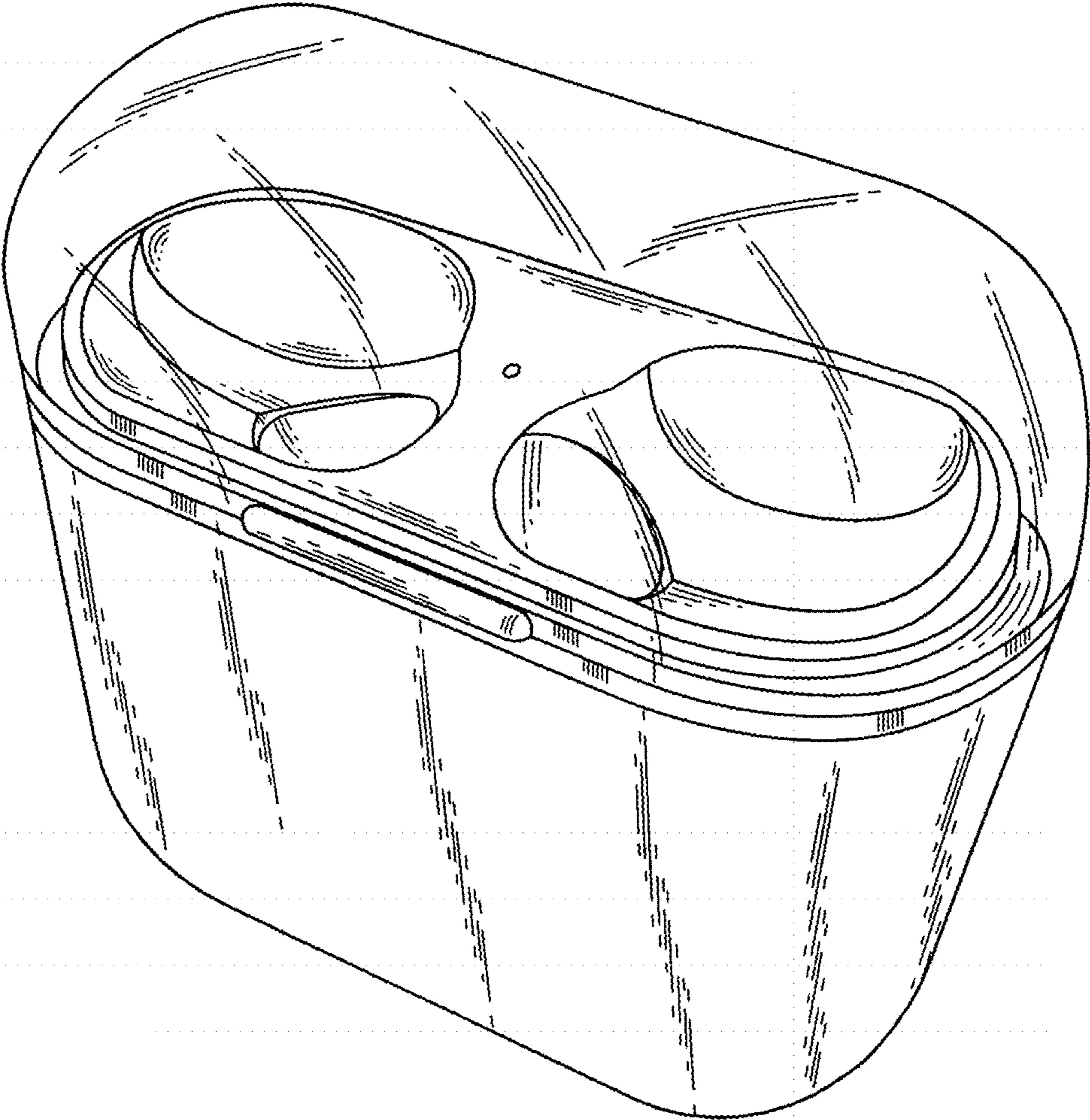


FIG. 1

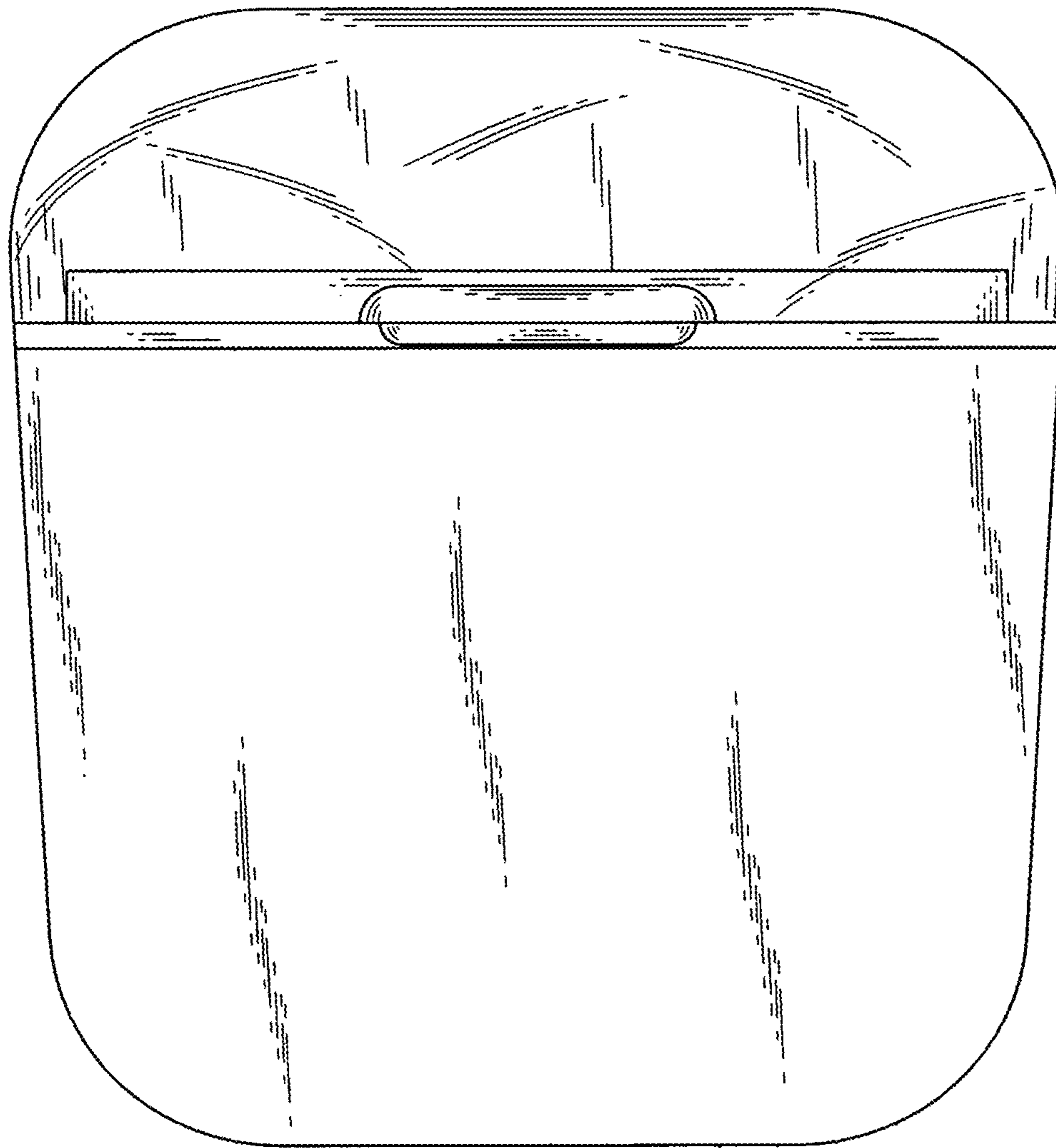


FIG. 2



FIG. 3

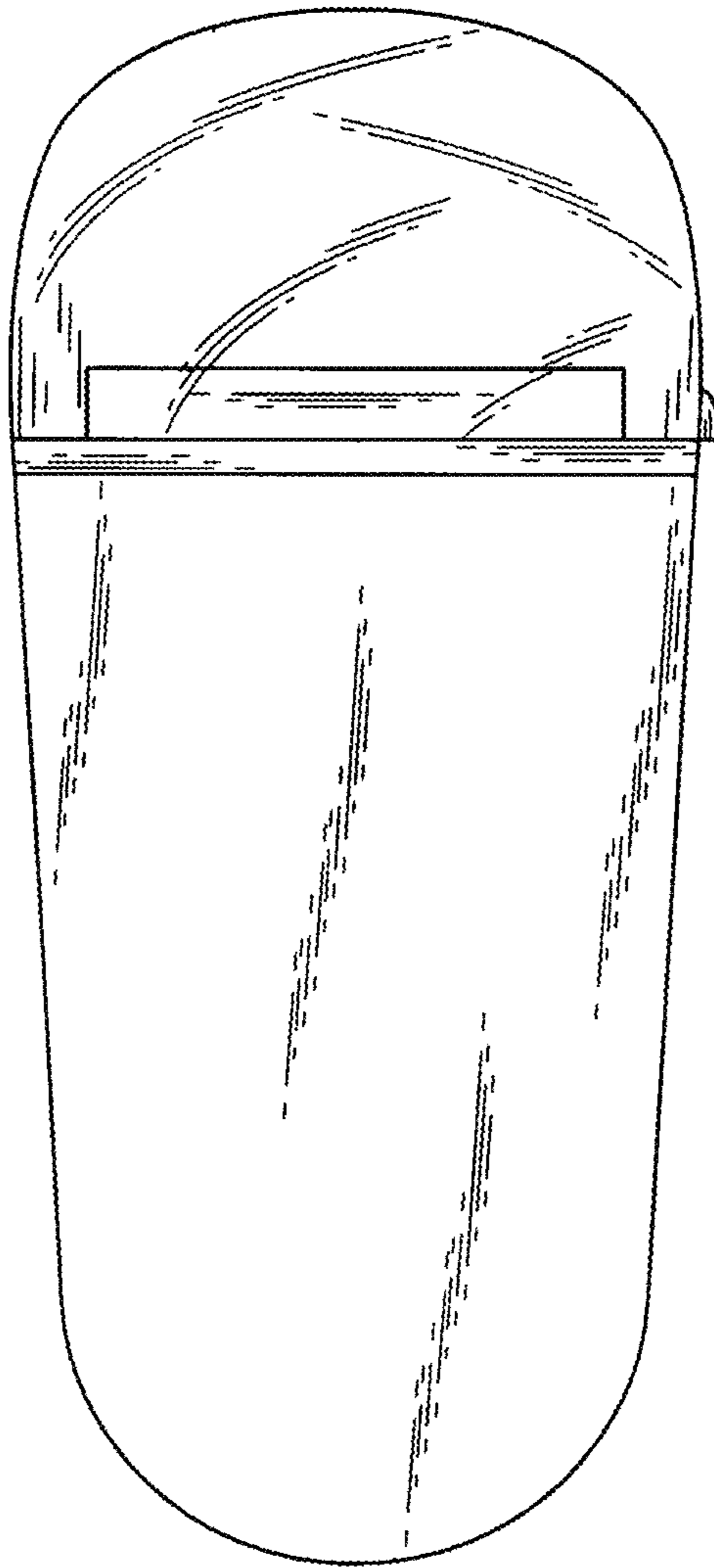


FIG. 4

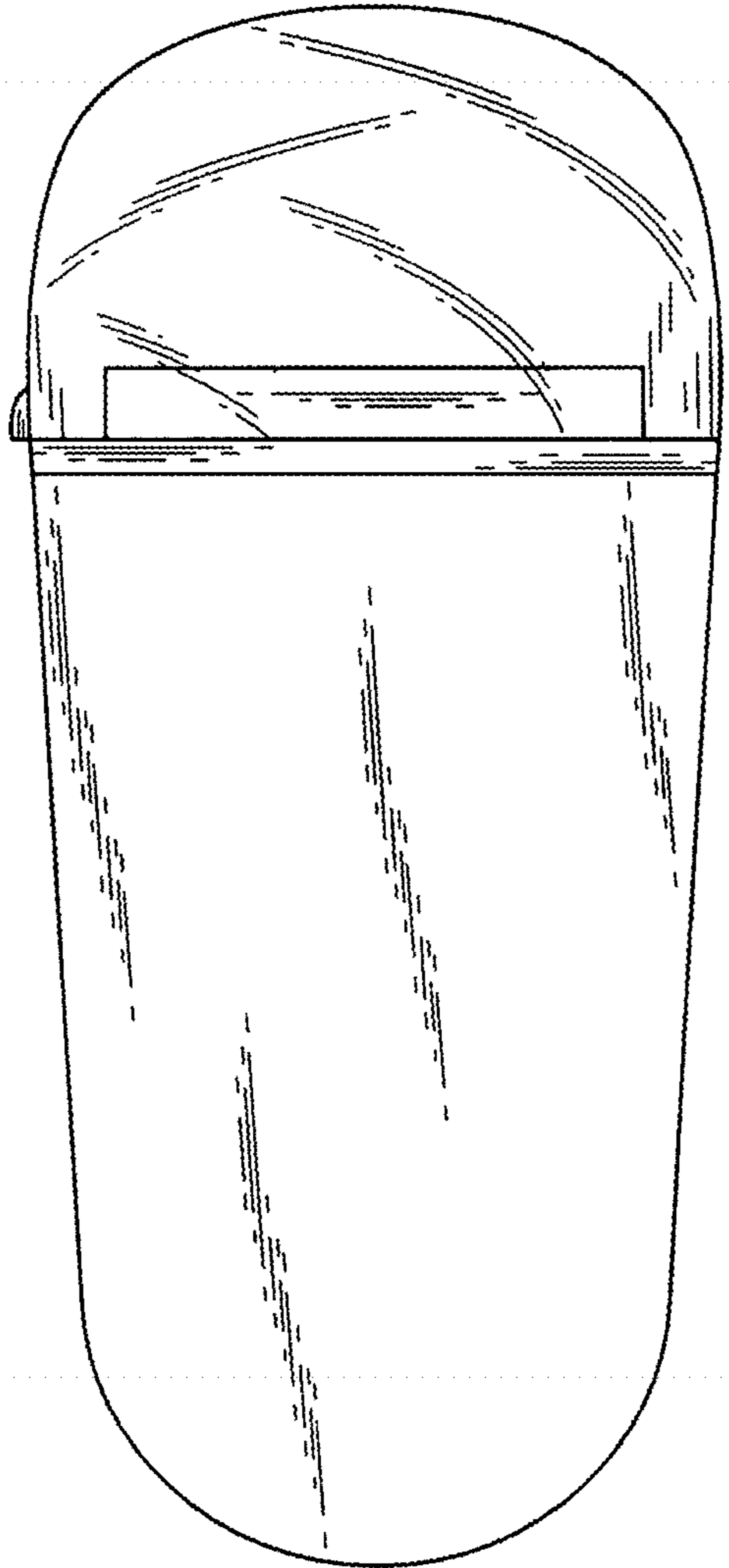


FIG. 5

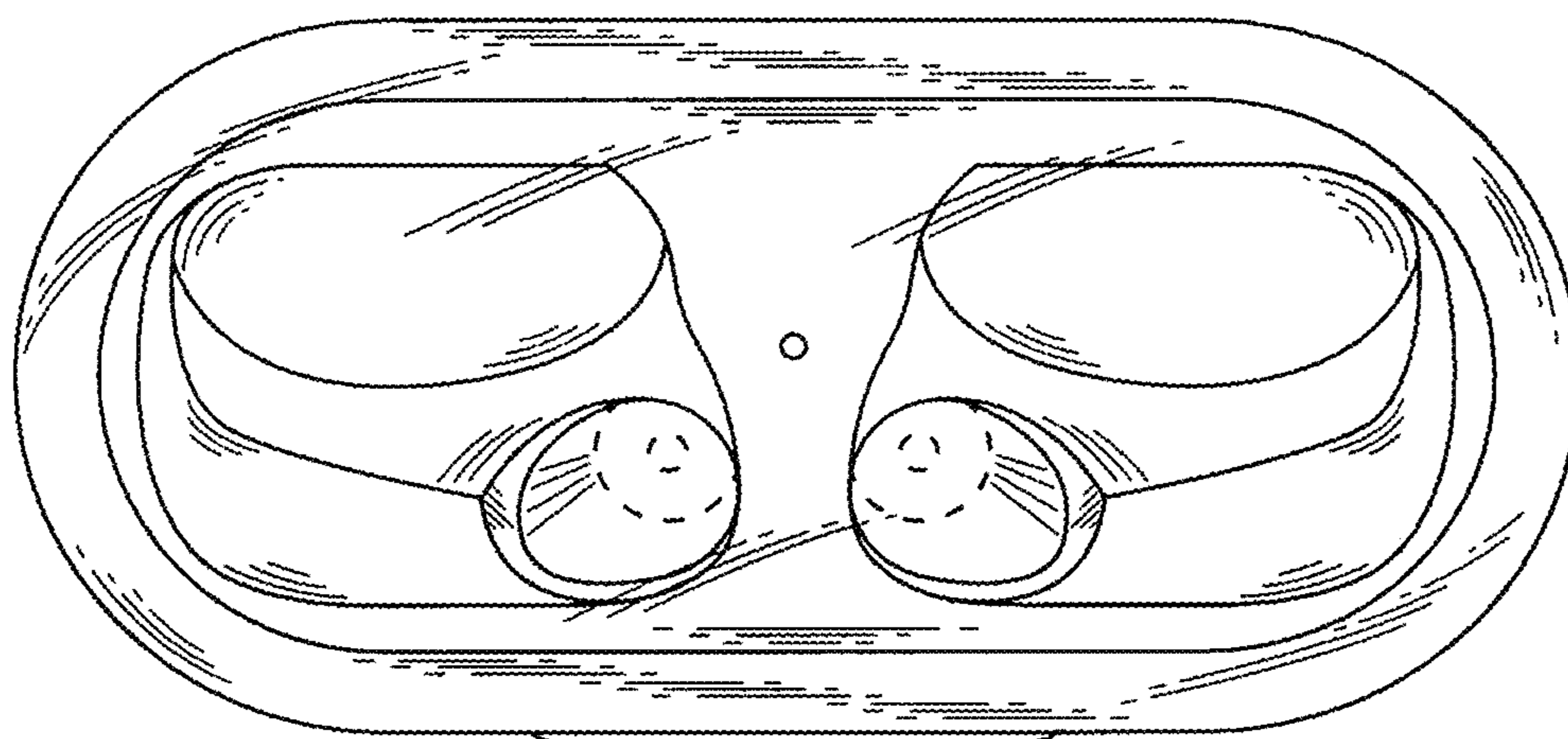


FIG. 6

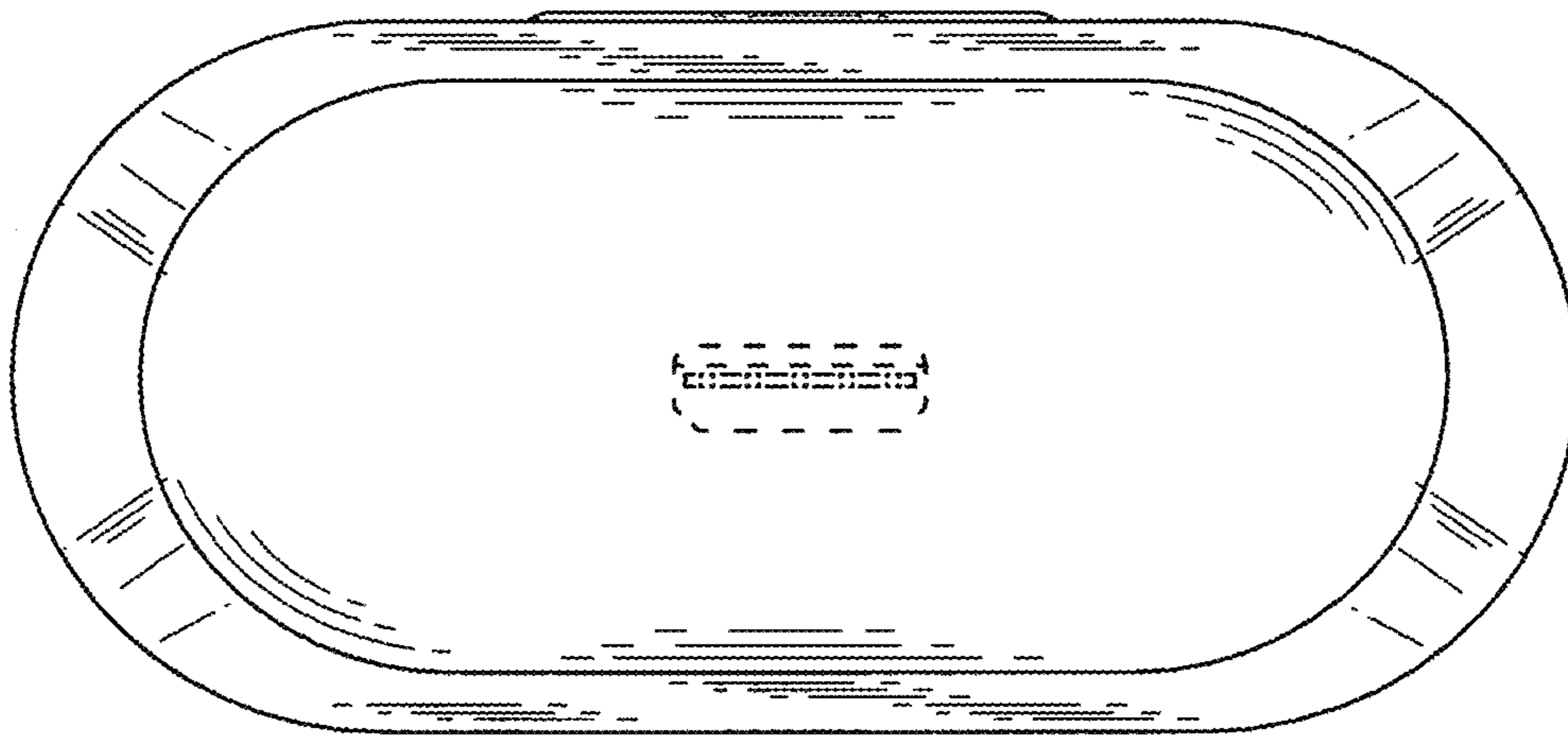


FIG. 7



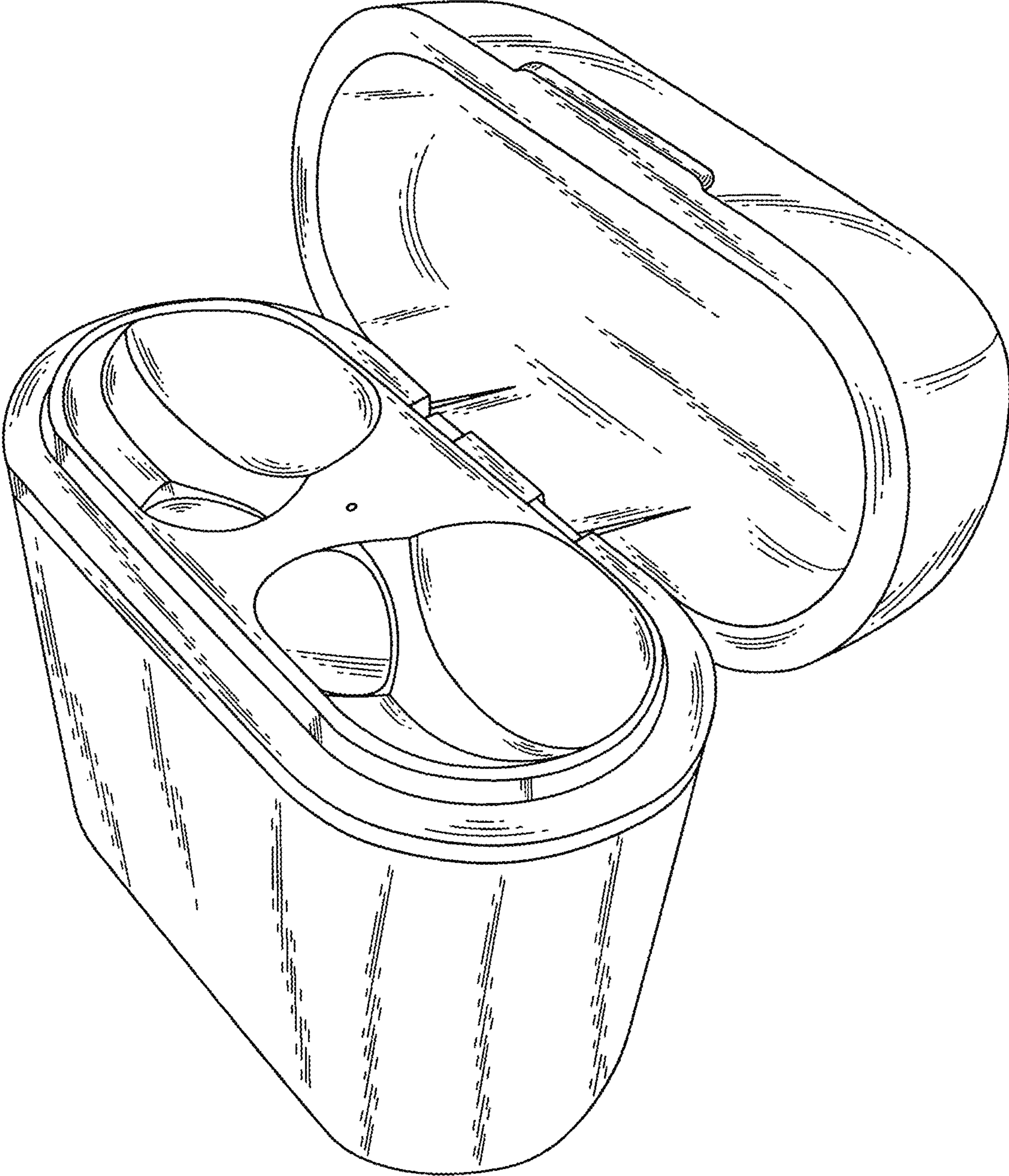


FIG. 8