



US00D901376S

(12) **United States Design Patent**
Lu et al.

(10) **Patent No.:** **US D901,376 S**
(45) **Date of Patent:** **** Nov. 10, 2020**

(54) **FOLDABLE LIGHTWEIGHT SOLAR PANEL**

(71) Applicant: **SHENZHEN SUNGOLD SOLAR CO., LTD.**, Shenzhen (CN)

(72) Inventors: **Weiwen Lu**, Guangdong (CN); **Huabo Liu**, Hubei (CN); **Xiufeng Guo**, Fuquan (CN); **Huasheng Xu**, Shangrao (CN)

(73) Assignee: **SHENZHEN SUNGOLD SOLAR CO., LTD.**, Shenzhen (CN)

(**) Term: **15 Years**

(21) Appl. No.: **29/676,175**

(22) Filed: **Jan. 9, 2019**

(51) **LOC (12) Cl.** **13-02**

(52) **U.S. Cl.**

USPC **D13/102**

(58) **Field of Classification Search**

USPC D13/102, 101, 103, 107, 108, 199;
126/569, 624, 704, 710, 711;
136/243-265; 320/101, 116, 120
CPC H01L 31/00; H01L 31/042; H01L 31/045;
H01L 31/048; H01L 31/052; H01L
31/0475; H01L 31/0485; H01M 10/052;
H01M 10/465; H02S 30/10; H02S 30/20;
H02S 10/40; H02S 40/42; Y02E 10/50;
Y02E 10/52; Y10S 136/291; Y10S
136/293; H02J 7/355; G06F 1/1628

See application file for complete search history.

(56) **References Cited**

U.S. PATENT DOCUMENTS

5,522,943 A * 6/1996 Spencer H01L 31/042
136/245
D479,191 S * 9/2003 Peress D13/102

6,650,085 B2 * 11/2003 Lau H02S 10/40
320/101
D489,680 S * 5/2004 Stobart D13/102
D493,768 S * 8/2004 Lam D13/102
D514,913 S * 2/2006 Dunn D8/71
D528,501 S * 9/2006 Lam D13/102
D670,645 S * 11/2012 Qian D13/102
D680,948 S * 4/2013 Lin D13/102
D830,296 S * 10/2018 Liu D13/102

* cited by examiner

Primary Examiner — Derrick E Holland

(74) *Attorney, Agent, or Firm* — Juan Carlos A. Marquez;
Marquez IP Law Office, PLLC

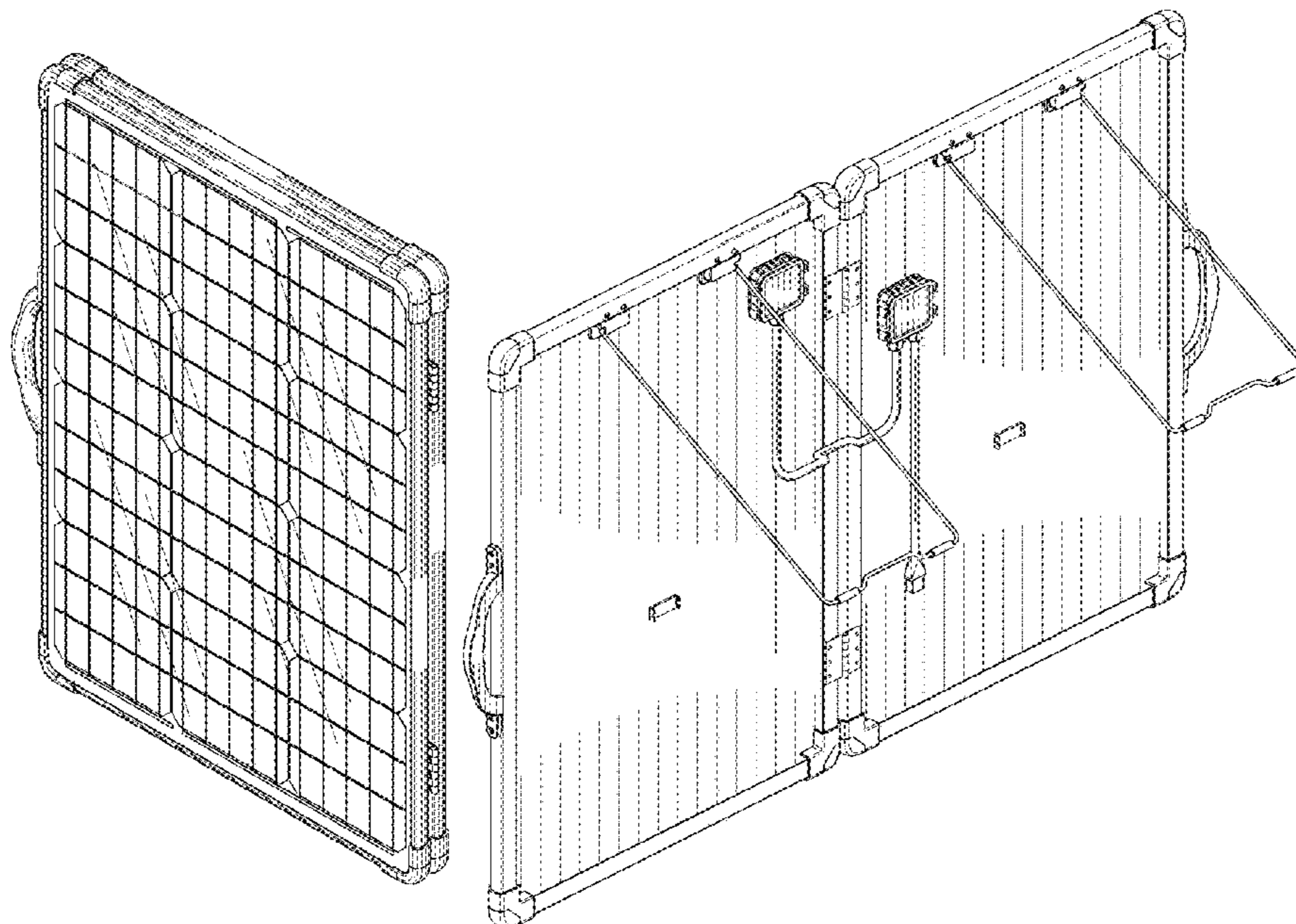
(57) **CLAIM**

The ornamental design for a foldable lightweight solar panel, as shown and described.

DESCRIPTION

FIG. 1 is a perspective view of a foldable lightweight solar panel, showing the new design;
FIG. 2 is a front view thereof;
FIG. 3 is a rear view thereof;
FIG. 4 is a left-side view thereof;
FIG. 5 is a right-side view thereof;
FIG. 6 is a top view thereof;
FIG. 7 is a bottom view thereof;
FIG. 8 is a front view thereof in an open configuration,
FIG. 9 is a rear view thereof in an open configuration; and,
FIG. 10 is a perspective view thereof in an open configuration.

1 Claim, 8 Drawing Sheets



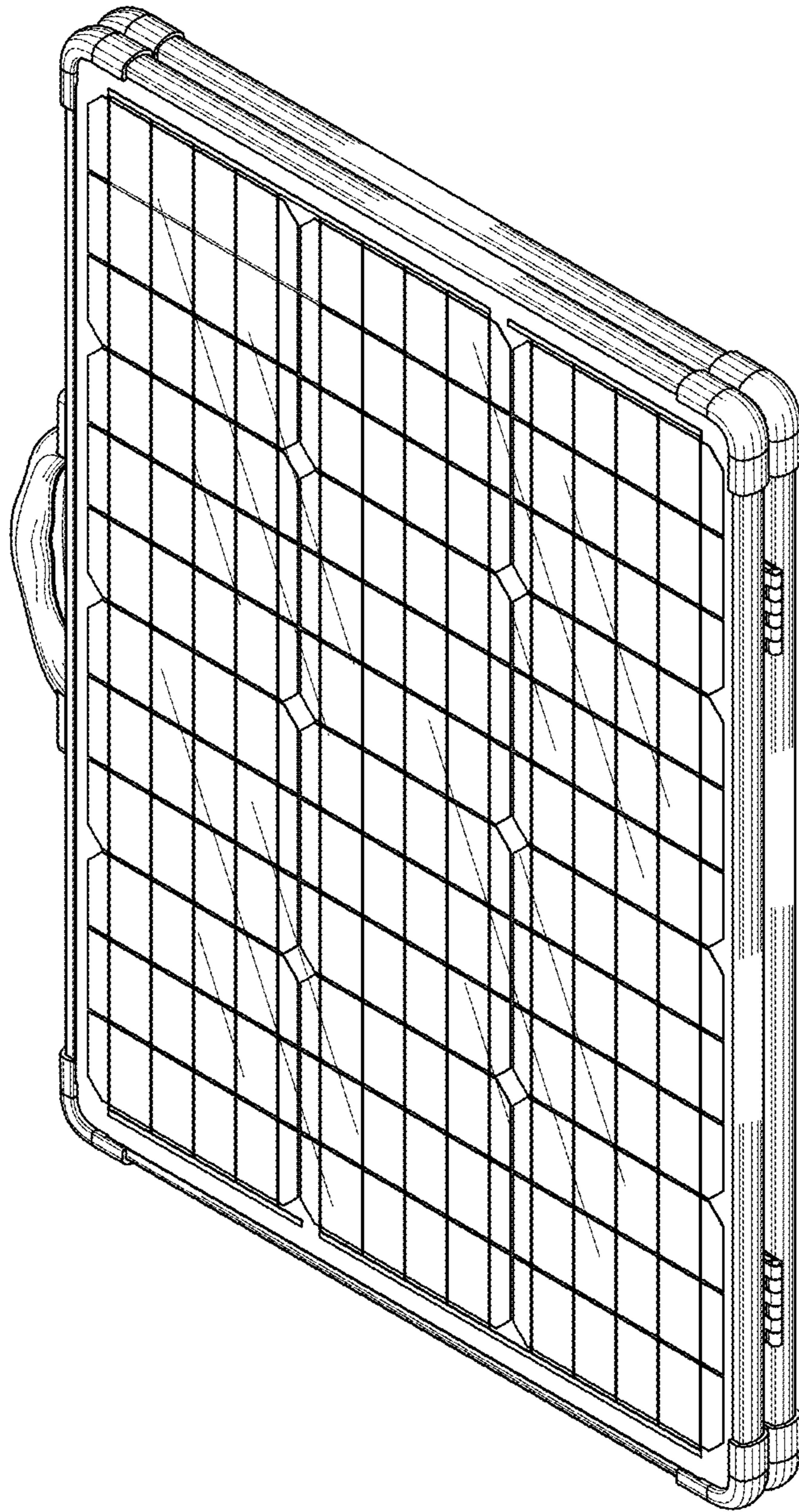


FIG. 1

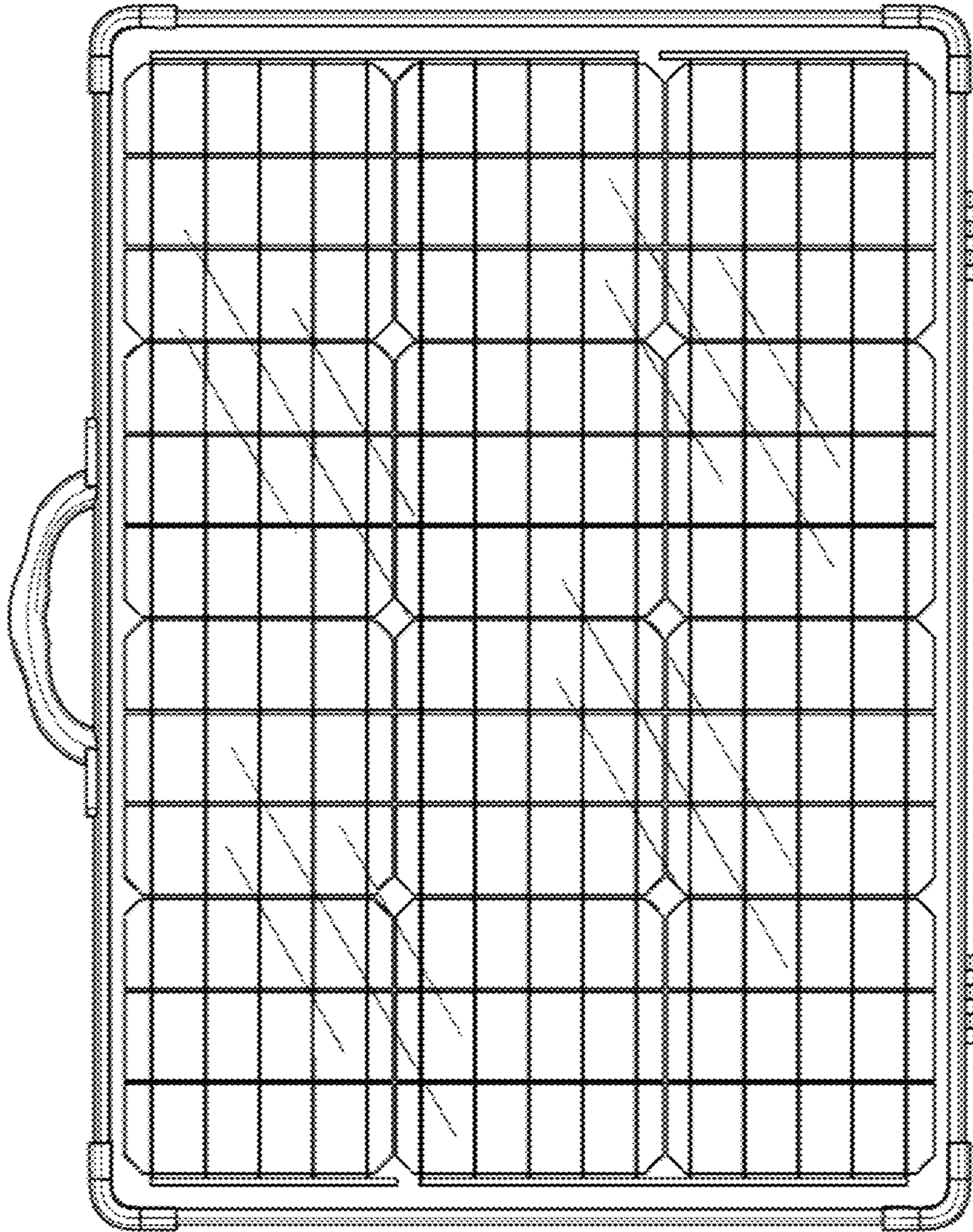


FIG. 2

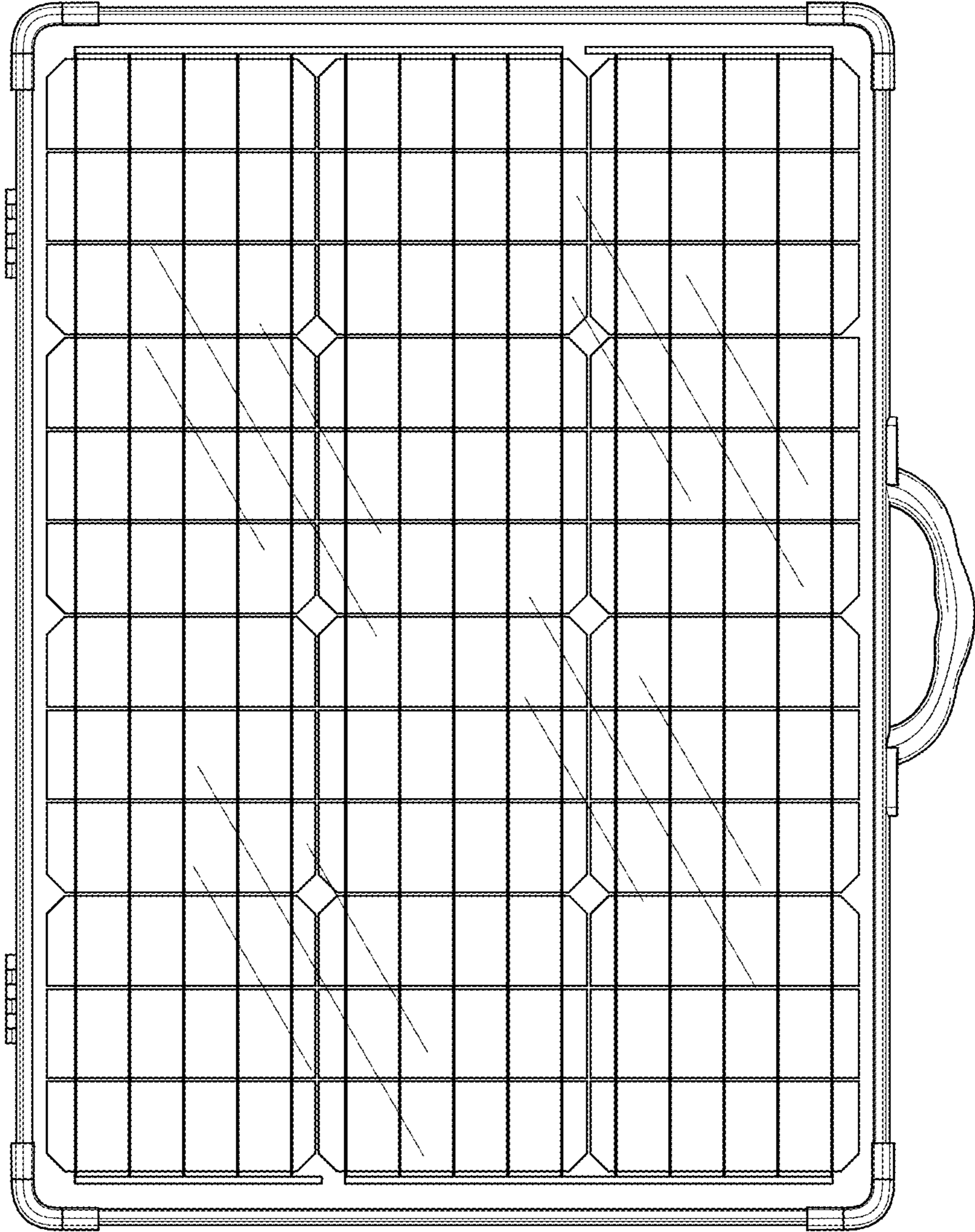


FIG. 3

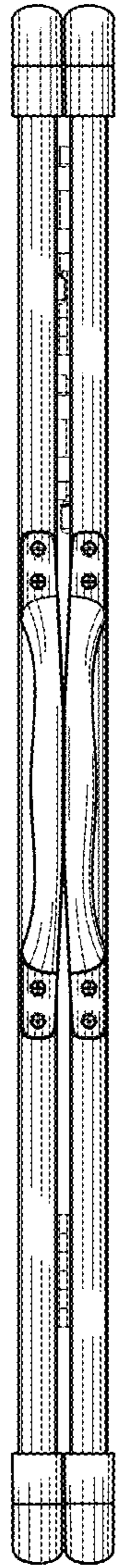


FIG. 4

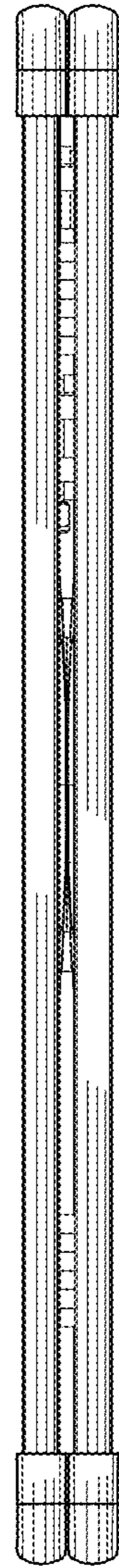


FIG. 5

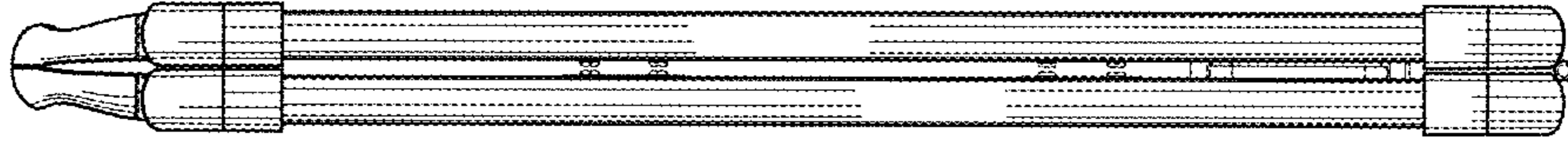


FIG. 6

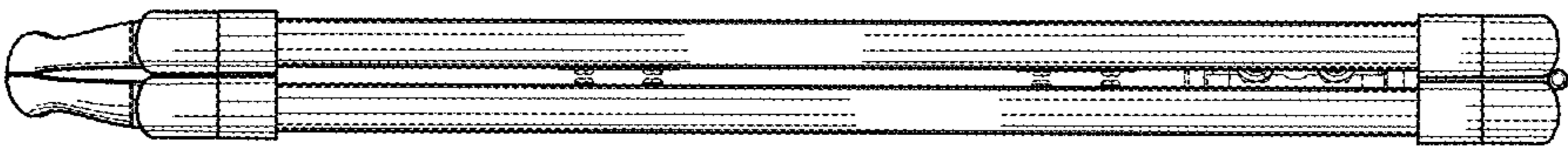


FIG. 7

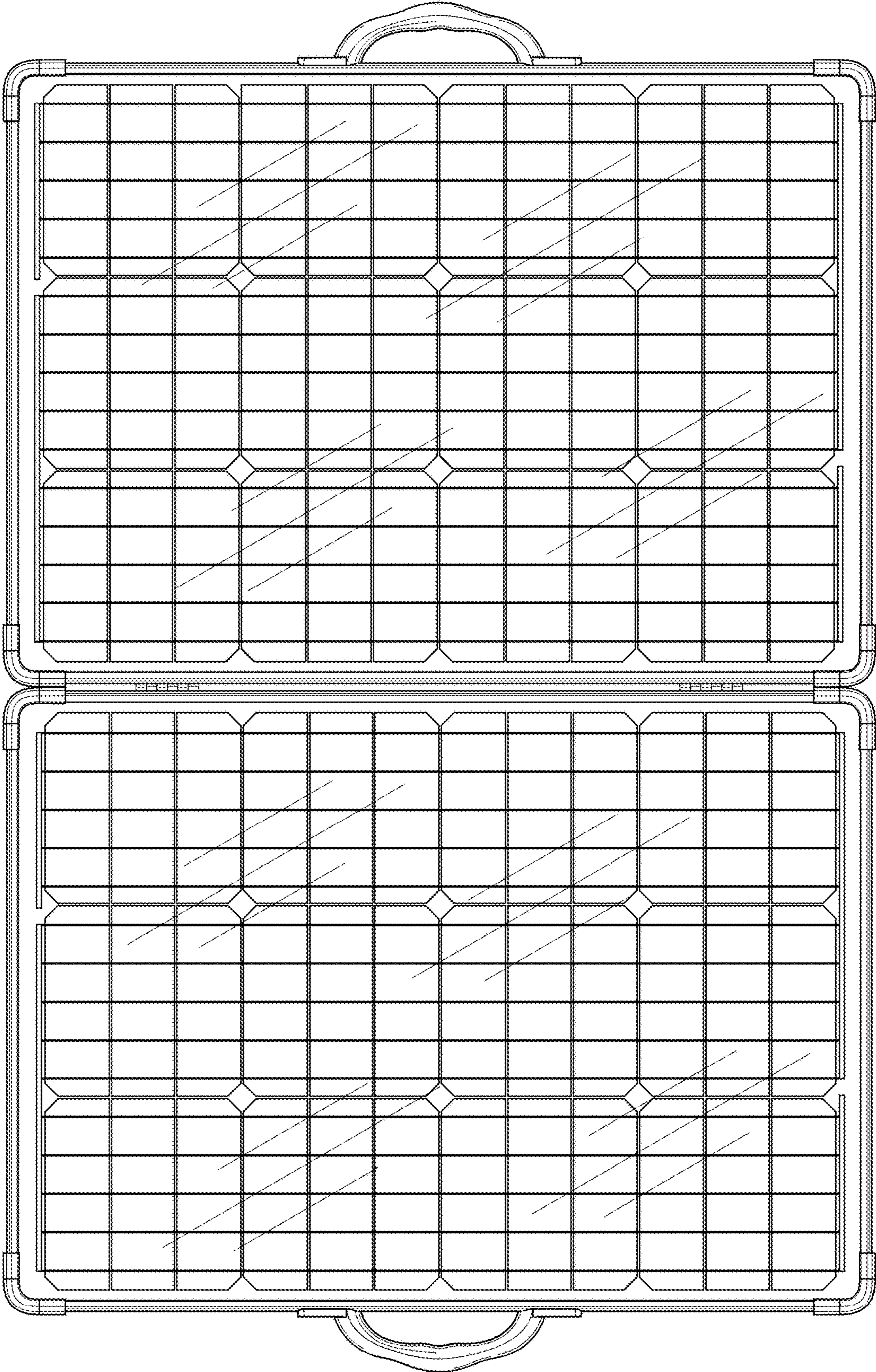


FIG. 8

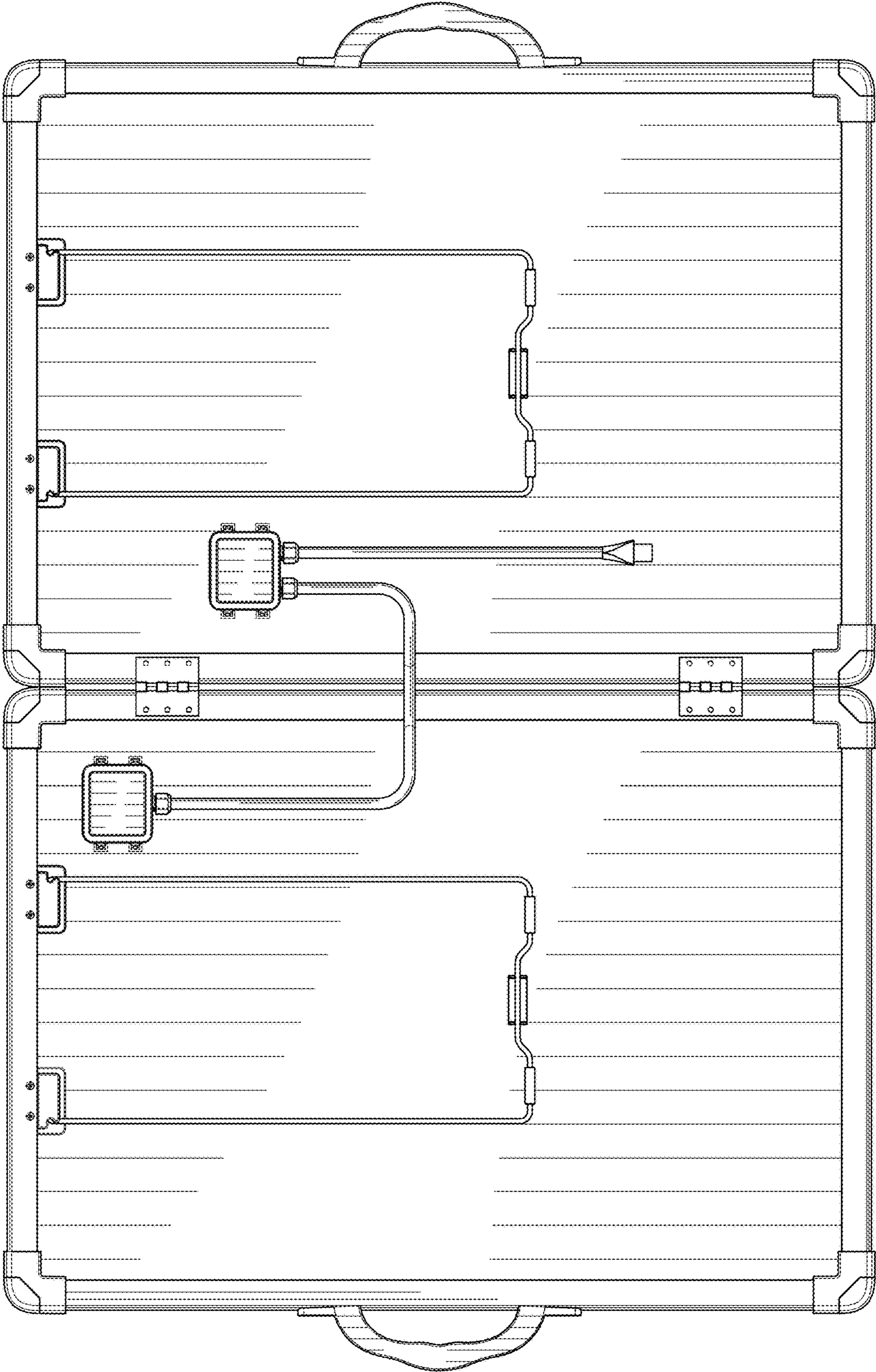


FIG. 9

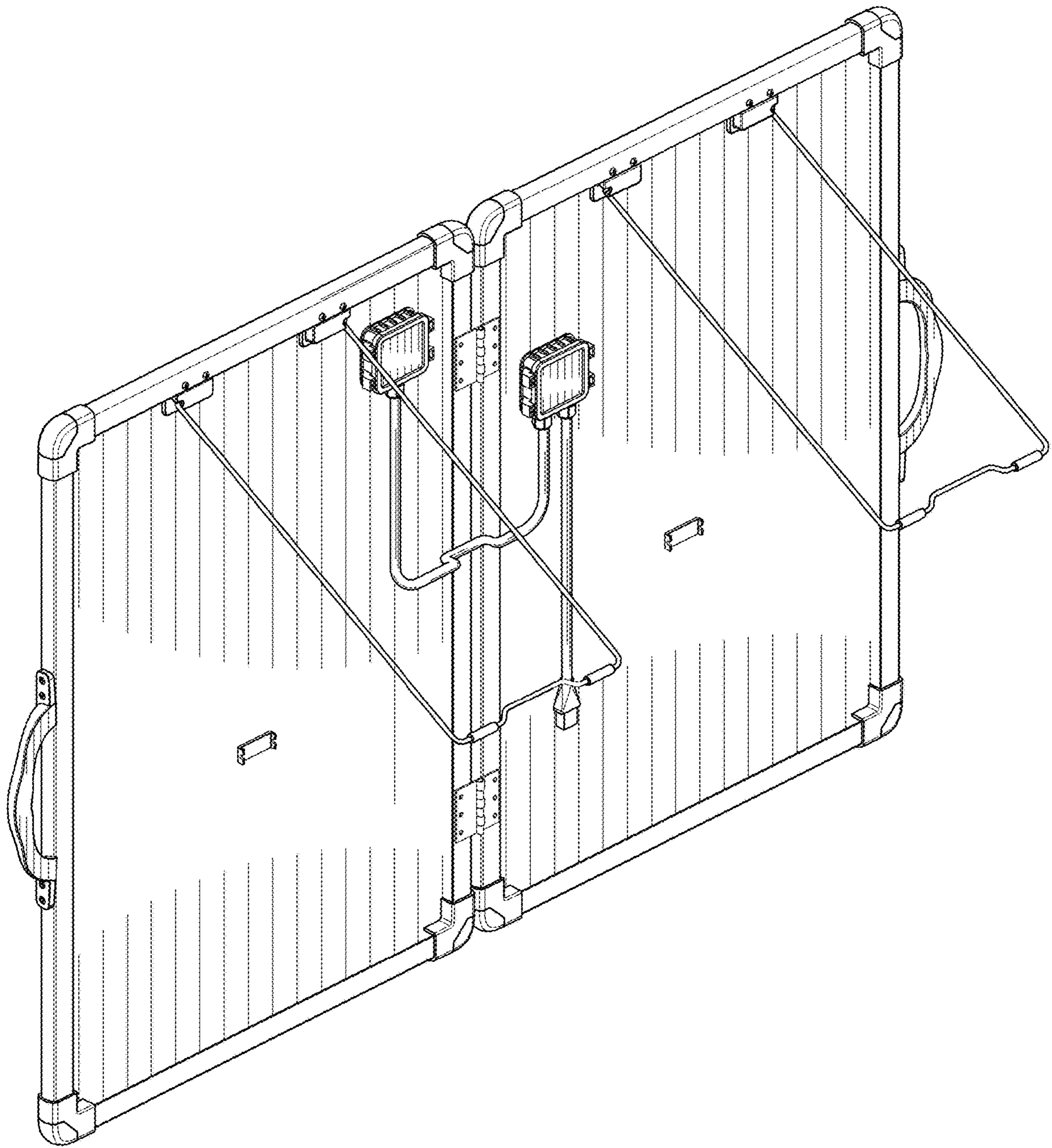


FIG. 10