



US00D901371S

(12) **United States Design Patent**
Besley

(10) **Patent No.:** **US D901,371 S**

(45) **Date of Patent:** **** Nov. 10, 2020**

(54) **VEHICLE CONSOLE ORGANIZER**

(71) Applicant: **Matthew Thomas Besley**, Carlsbad,
CA (US)

(72) Inventor: **Matthew Thomas Besley**, Carlsbad,
CA (US)

(**) Term: **15 Years**

(21) Appl. No.: **29/732,177**

(22) Filed: **Apr. 22, 2020**

Related U.S. Application Data

(63) Continuation of application No. 16/017,989, filed on
Jun. 25, 2018.

(51) **LOC (12) Cl.** **12-16**

(52) **U.S. Cl.**
USPC **D12/415**

(58) **Field of Classification Search**
USPC D12/415-426.1
CPC B64D 11/06; F16M 11/12; F16M 11/10
See application file for complete search history.

(56) **References Cited**

U.S. PATENT DOCUMENTS

D540,738 S * 4/2007 Hatch D12/415
D582,190 S * 12/2008 Valiulis D6/567

D627,291 S * 11/2010 Lindsay, Jr. D12/416
D651,966 S * 1/2012 Hwang D12/419
D690,514 S * 10/2013 Shamp D3/304
D695,796 S * 12/2013 Lee D15/89
D770,270 S * 11/2016 McGarry D9/423
D802,525 S * 11/2017 Mohr D8/71
D823,230 S * 7/2018 Galib D12/415
D826,714 S * 8/2018 Pipes D9/456
D879,015 S * 3/2020 Besley D12/424

* cited by examiner

Primary Examiner — Katrina A Betton

(74) *Attorney, Agent, or Firm* — Elie Gendloff; Gendloff
IP

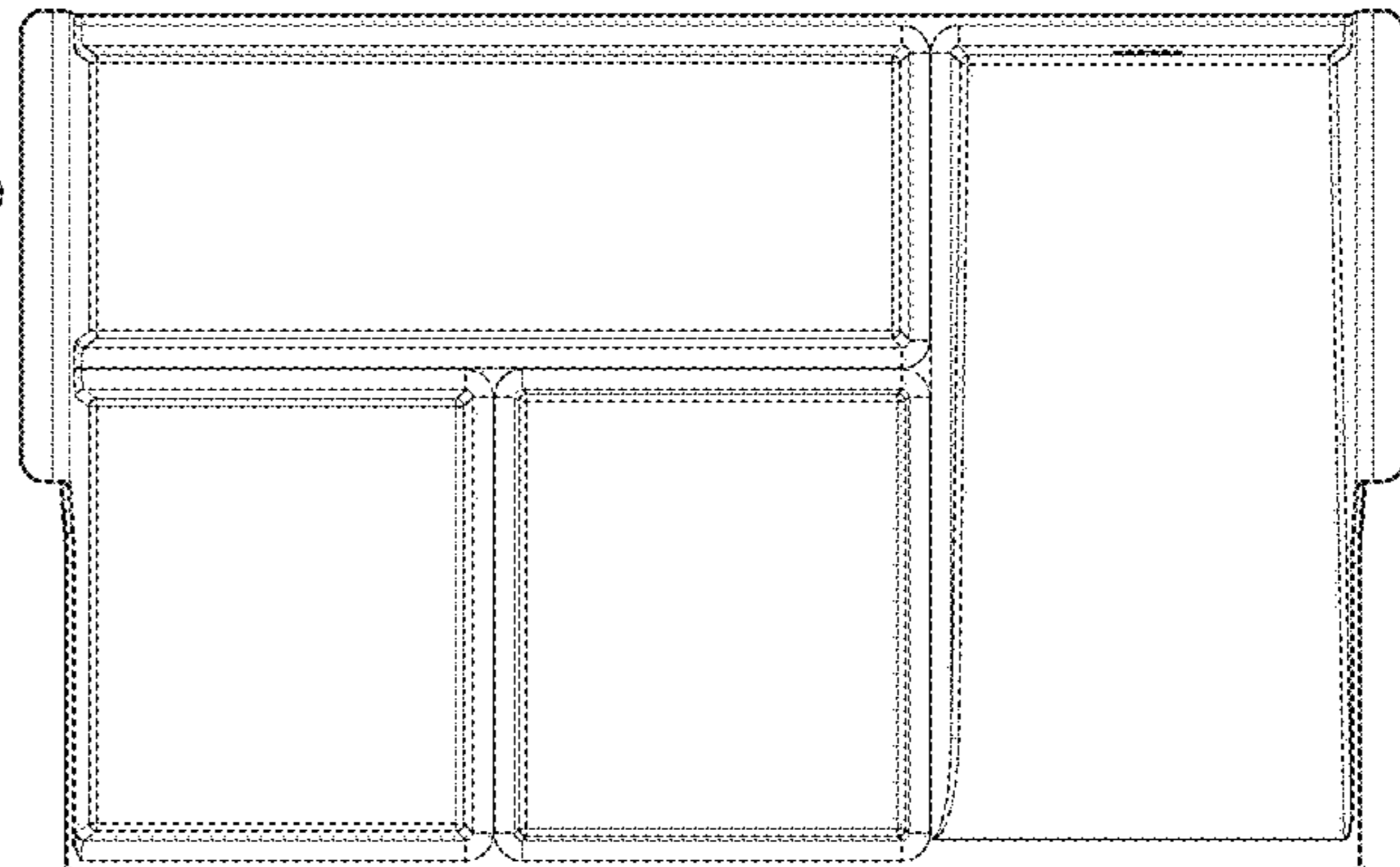
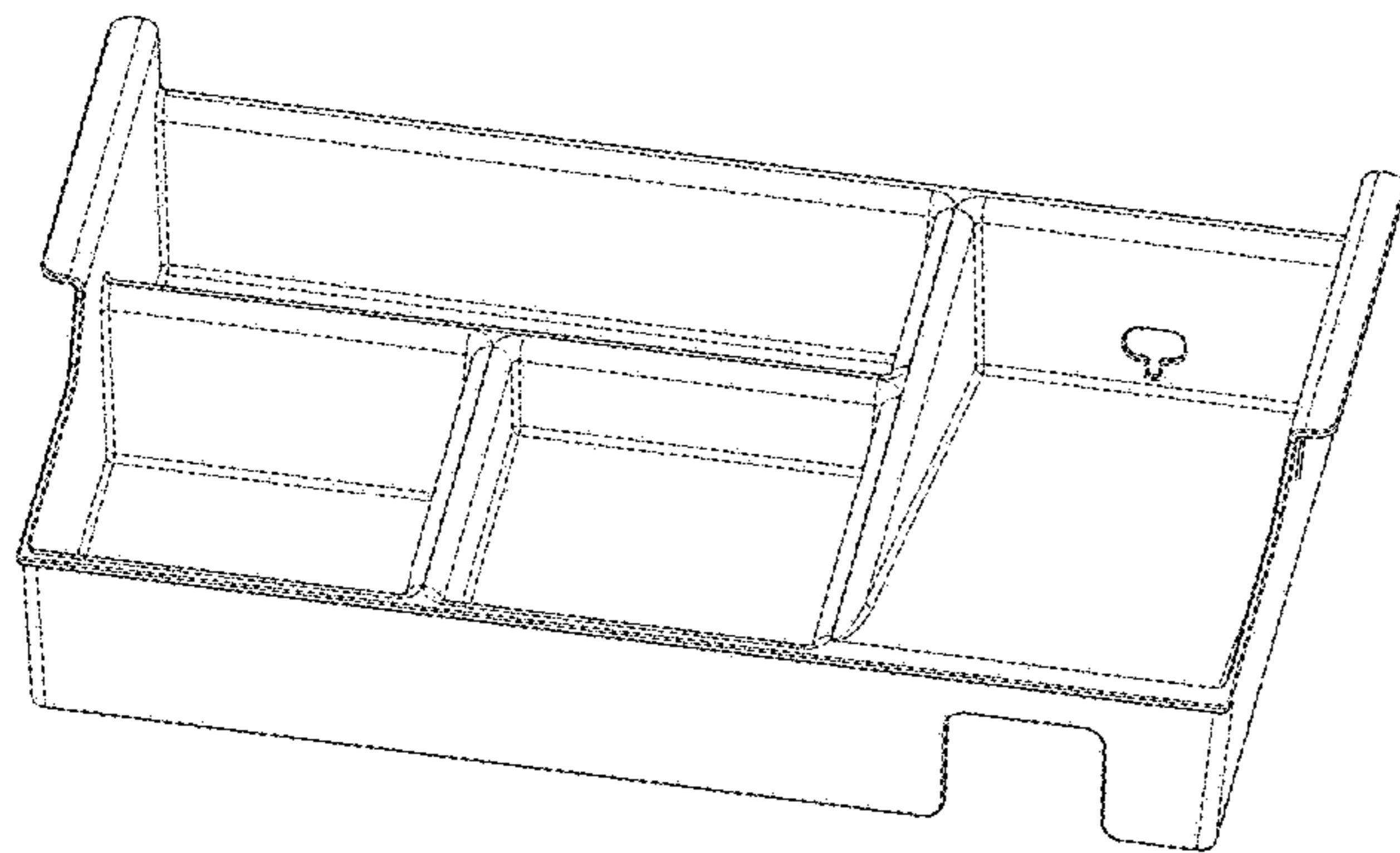
(57) **CLAIM**

The ornamental design for the vehicle console organizer, as
shown.

DESCRIPTION

FIG. 1 is a top perspective view of a vehicle console
organizer according to my new design;
FIG. 2 is a top view thereof;
FIG. 3 is a bottom view thereof;
FIG. 4 is a right side view thereof;
FIG. 5 is a left side view thereof;
FIG. 6 is a front side view thereof; and,
FIG. 7 is a back side view thereof.

1 Claim, 5 Drawing Sheets



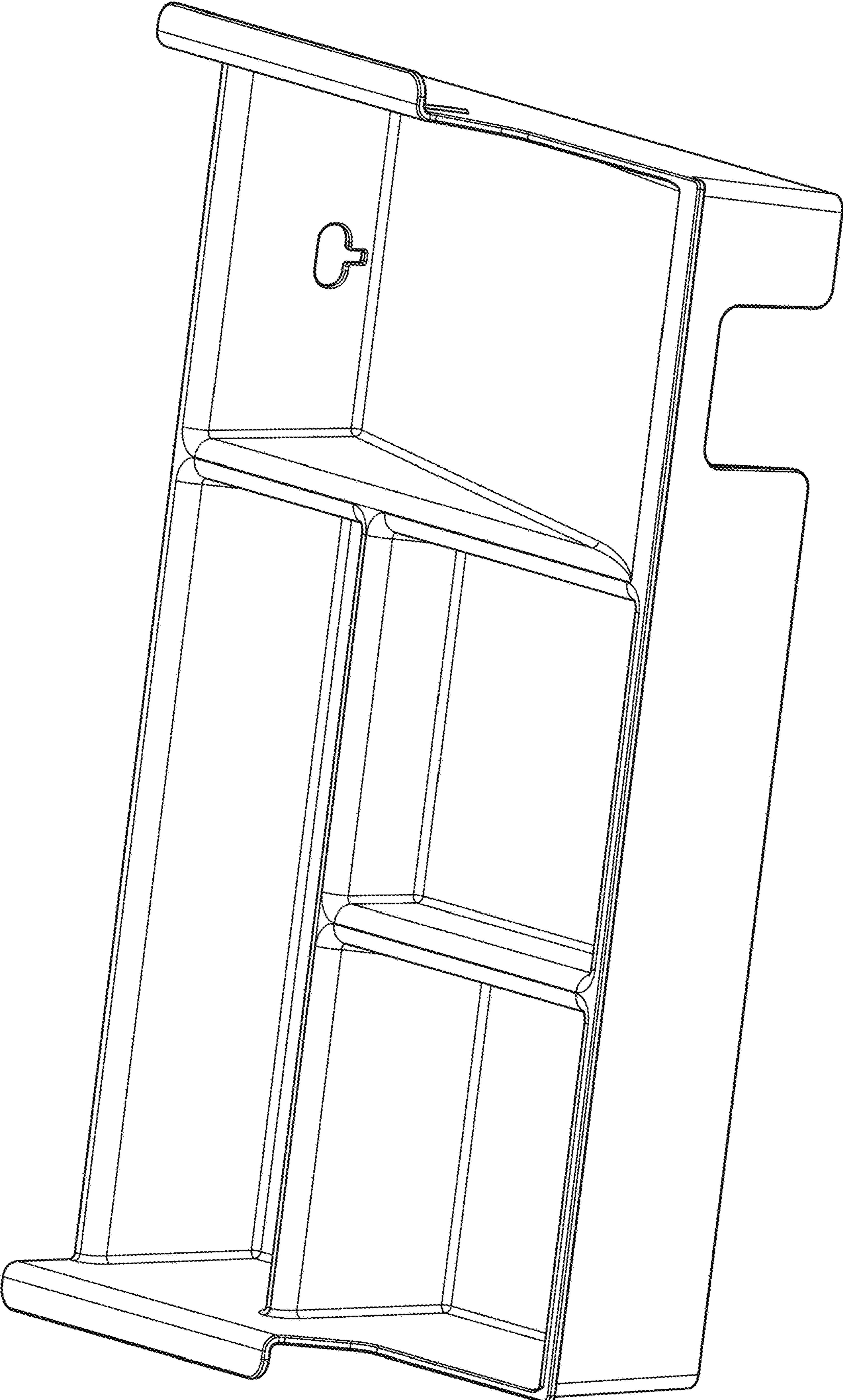


FIG. 1A

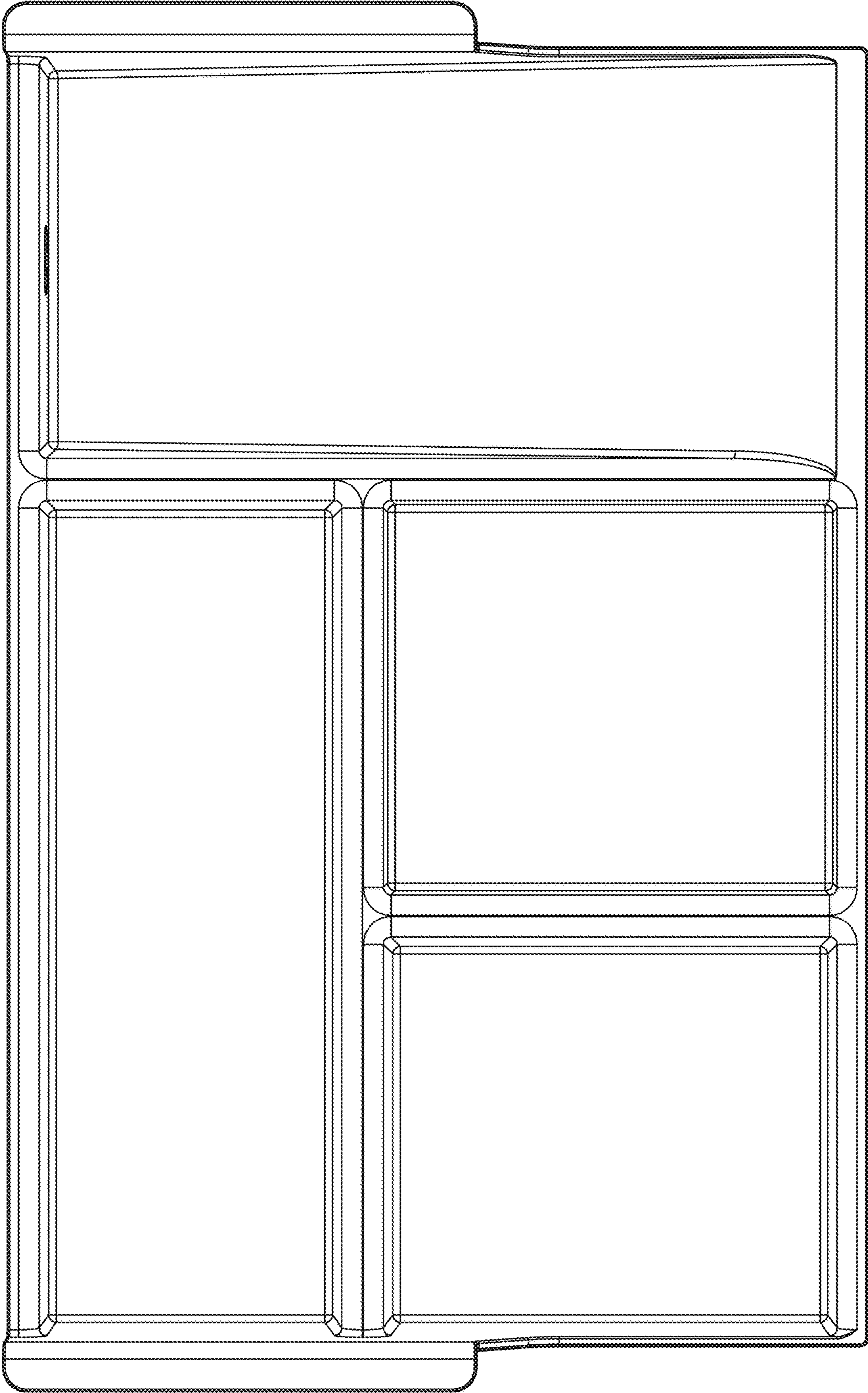


FIG. 1B

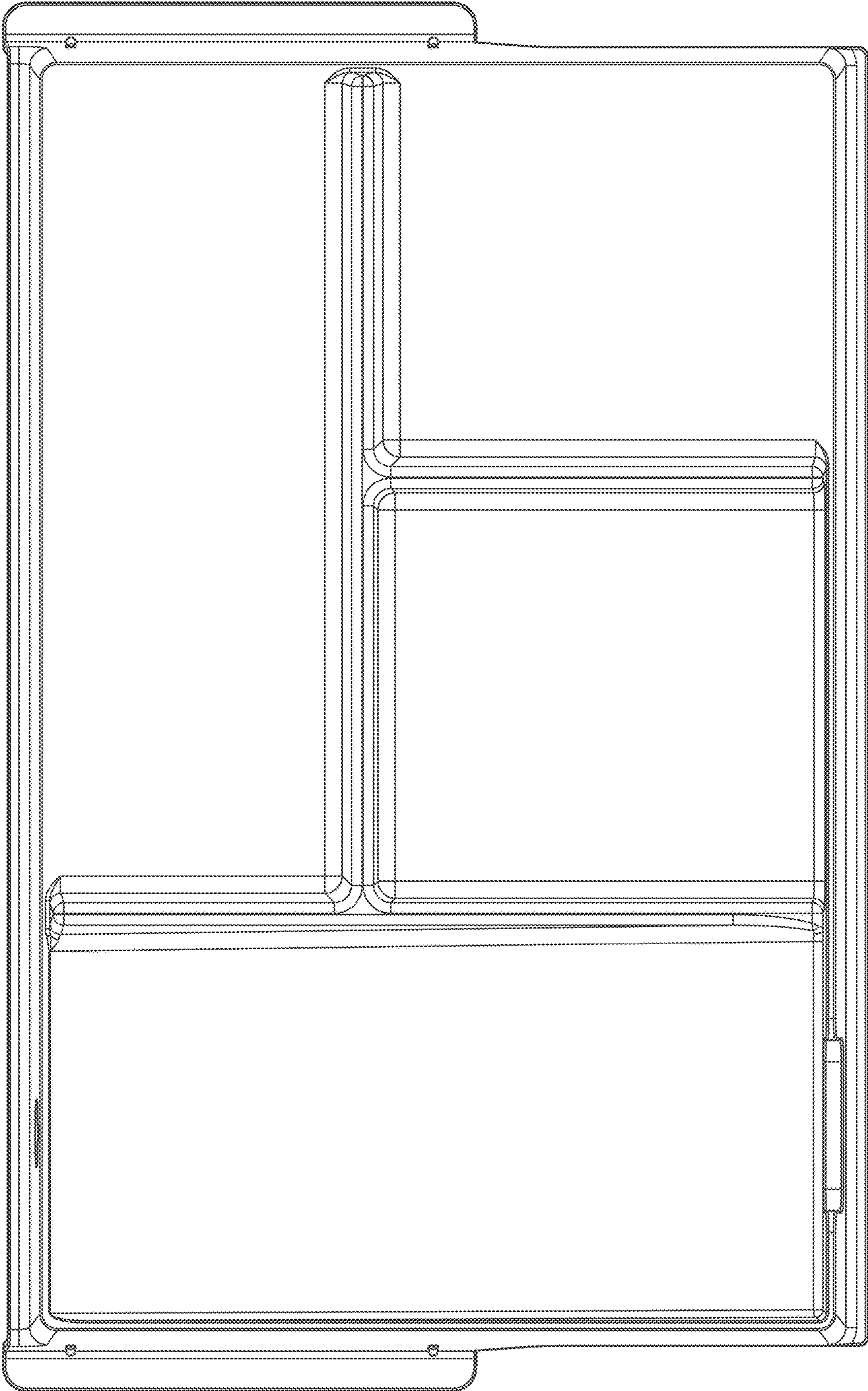


FIG. 1C

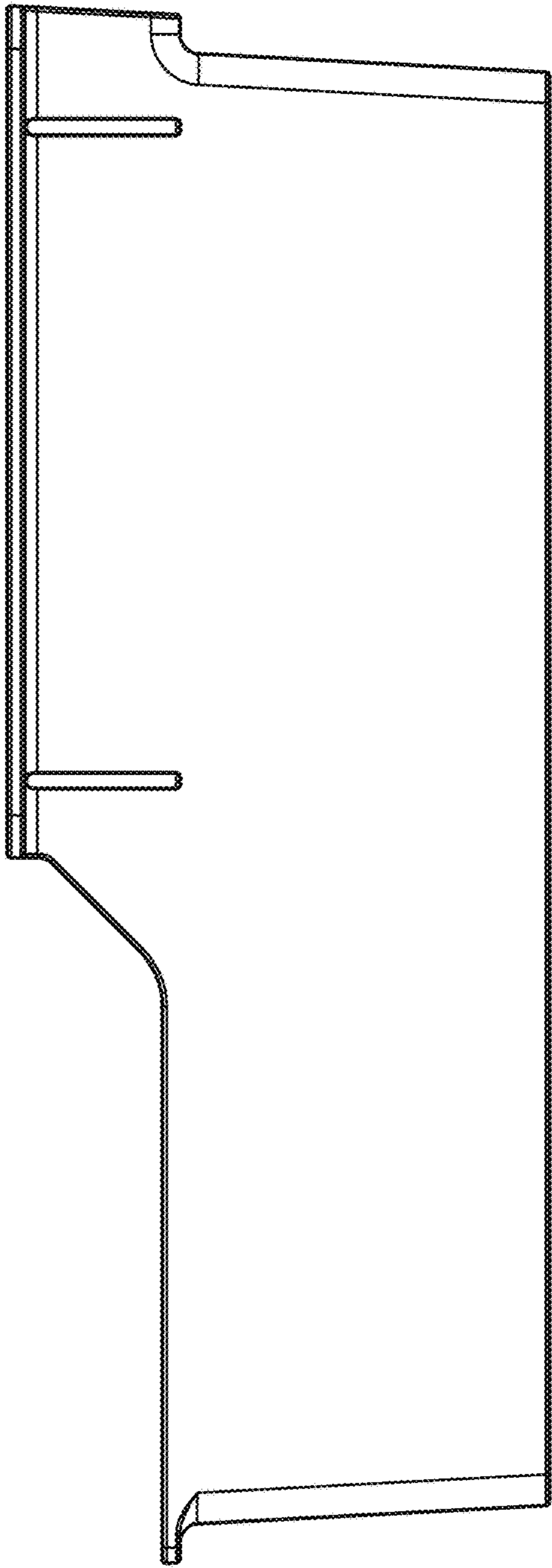


FIG. 1D

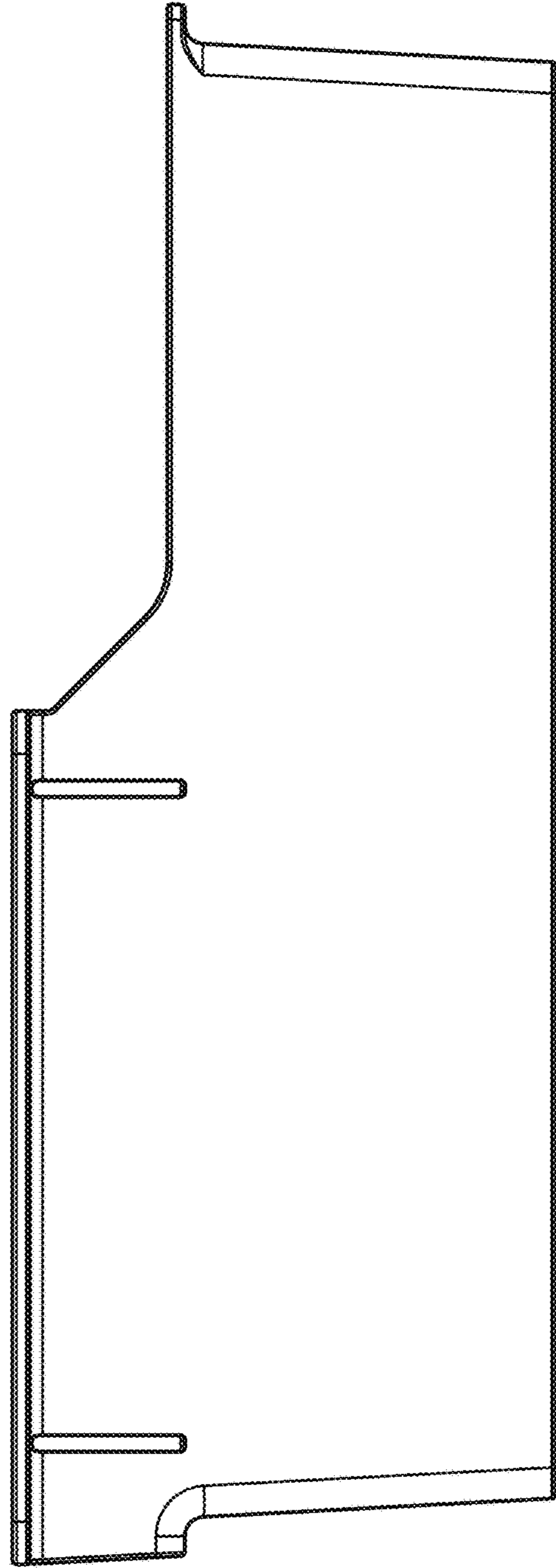


FIG. 1E

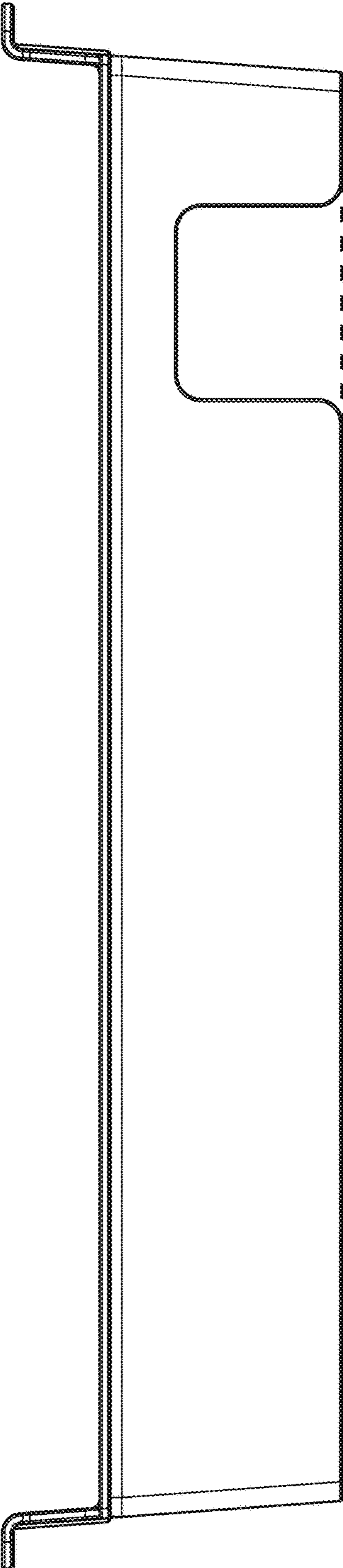


FIG. 1F

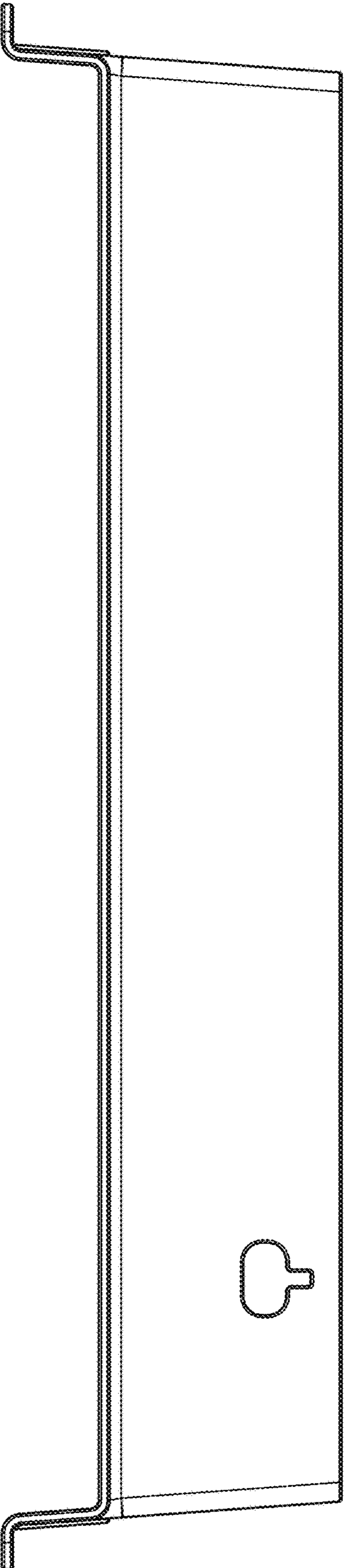


FIG. 1G