



US00D901364S

(12) **United States Design Patent** (10) **Patent No.:** **US D901,364 S**  
**Tu** (45) **Date of Patent:** **\*\* Nov. 10, 2020**

(54) **PERSONAL WATERCRAFT**

(71) Applicant: **Jack Tu**, Guangdong (CN)

(72) Inventor: **Jack Tu**, Guangdong (CN)

(73) Assignee: **SHENZHEN KAIENTE SPORTS EQUIPMENT CO., LTD.**, Shenzhen (CN)

(\*\*) Term: **15 Years**

(21) Appl. No.: **29/685,018**

(22) Filed: **Mar. 26, 2019**

(30) **Foreign Application Priority Data**

Oct. 11, 2018 (CN) ..... 2018 3 0568182

(51) **LOC (12) Cl.** ..... **12-06**

(52) **U.S. Cl.**  
USPC ..... **D12/308**

(58) **Field of Classification Search**  
USPC ..... D12/300, 303, 307, 310, 317, 318, 304,  
D12/306, 308, 312, 313, 314, 315, 316,  
D12/413; D14/300; D21/542, 544  
CPC ..... B63B 1/00; B63B 1/042; B63B 1/125;  
B63B 7/00; B63B 34/10; B63B 34/14;  
B63H 8/00; B63H 9/00; A63B 35/08;  
A63B 35/10; A63B 35/12; A63B 35/125  
See application file for complete search history.

(56) **References Cited**

**U.S. PATENT DOCUMENTS**

3,503,356 A \* 3/1970 Wilson ..... A63B 35/00  
114/315  
D219,667 S \* 1/1971 King et al. .... D21/542  
5,601,462 A \* 2/1997 Harlow ..... B63B 43/14  
440/6  
D394,633 S \* 5/1998 Gauthier ..... D12/303

D866,445 S \* 11/2019 Wu ..... D12/308  
D869,373 S \* 12/2019 Wei ..... D12/308  
2015/0203184 A1\* 7/2015 Sarmiento ..... B64B 1/68  
244/30

**OTHER PUBLICATIONS**

Trident Underwater Scooter, www.aliexpress.com [online]. Published on or before Apr. 20, 2020, [retrieved on Apr. 20, 2020]. Retrieved from the Internet: <URL:https://www.aliexpress.com/item/4000777723310.html?aff\_platform=link-c-tool&sk=\_dTAgxd2&aff\_trace\_key=2dbe294ef4cf411ab2abfebf5a02d279-%E2%80%A61/11> (Year: 2020).\*

Asiwo Turbo Underwater Scooter, www.seascooter.co [online]. Published on or before Apr. 20, 2020, [retrieved on Apr. 20, 2020]. Retrieved from the Internet: <URL:https://www.seascooter.co/products/seascooter> (Year: 2020).\*

Al Life Holdings Sea Scooter, www.amazon.com [online]. Published on or before Apr. 20, 2020, [retrieved on Apr. 20, 2020]. Retrieved from the Internet: <URL:https://www.amazon.com/Al-Life-Holdings-Scooter-Underwater/dp/B07TBRWPLP> (Year: 2020).\*

\* cited by examiner

*Primary Examiner* — Karen E Kearney  
*Assistant Examiner* — Adam C Mager

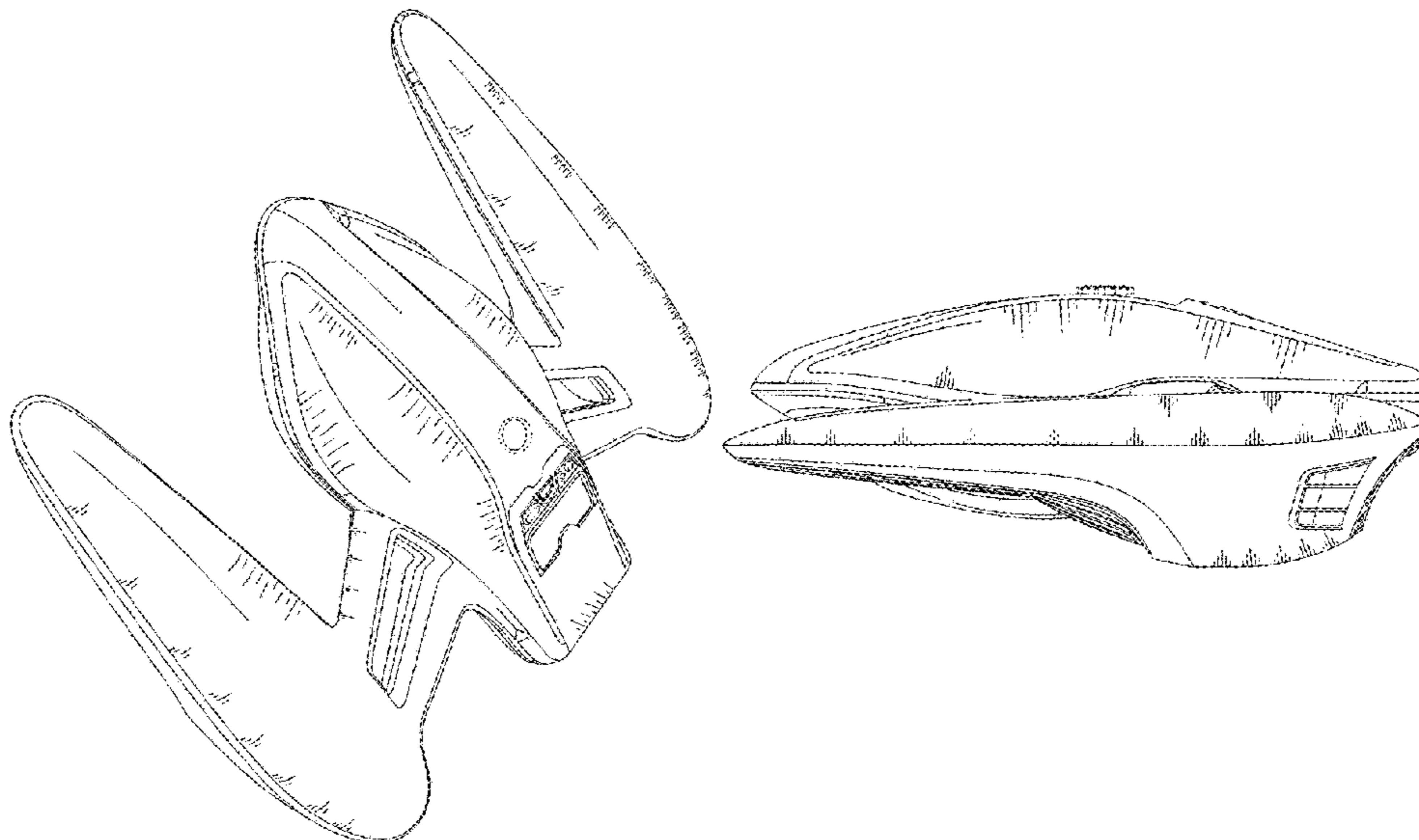
(57) **CLAIM**

The ornamental design for a personal watercraft, as shown and described.

**DESCRIPTION**

FIG. 1 is a perspective view of a personal watercraft showing my new design;  
FIG. 2 is a front elevational view thereof;  
FIG. 3 is a rear elevational view thereof;  
FIG. 4 is a left side view thereof;  
FIG. 5 is a right side view thereof;  
FIG. 6 is a top plan view thereof; and,  
FIG. 7 is a bottom plan view thereof.  
The broken lines in the drawings depict portions of the personal watercraft and form no part of the claimed design.

**1 Claim, 5 Drawing Sheets**



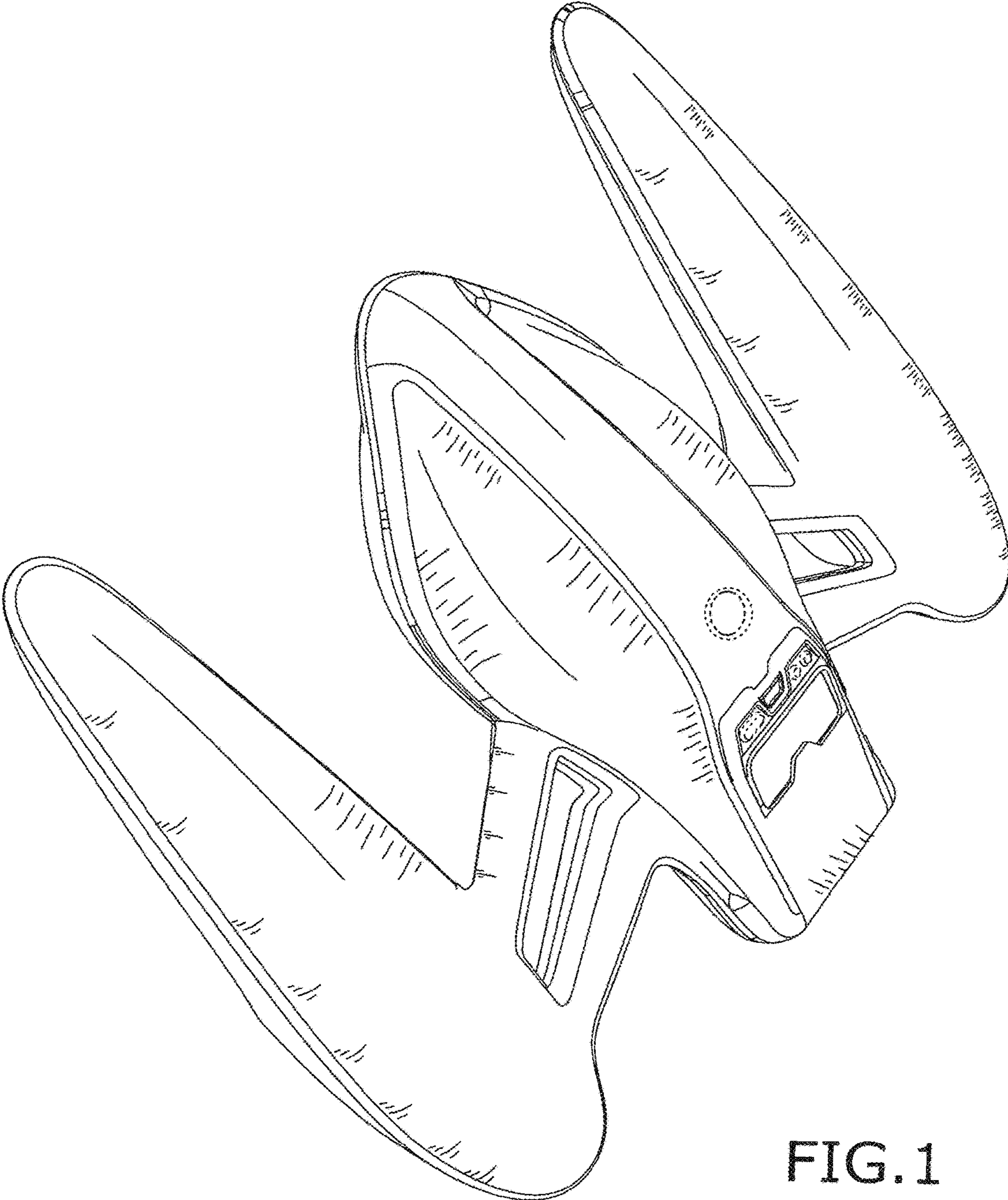


FIG. 1

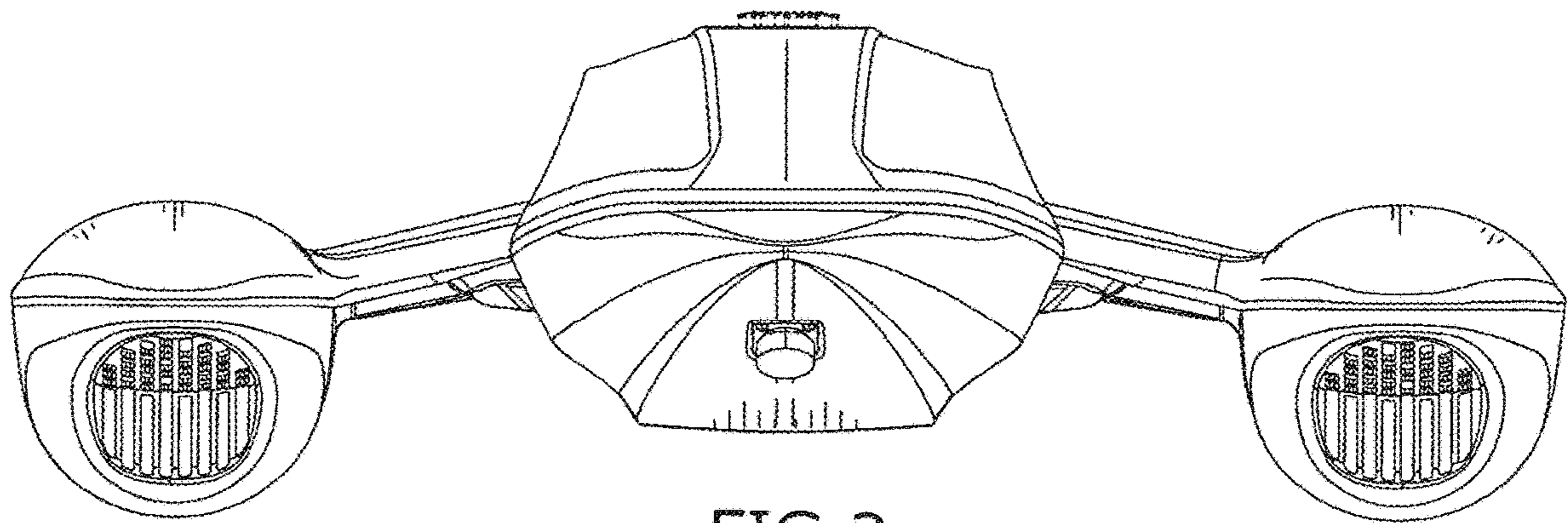


FIG. 2

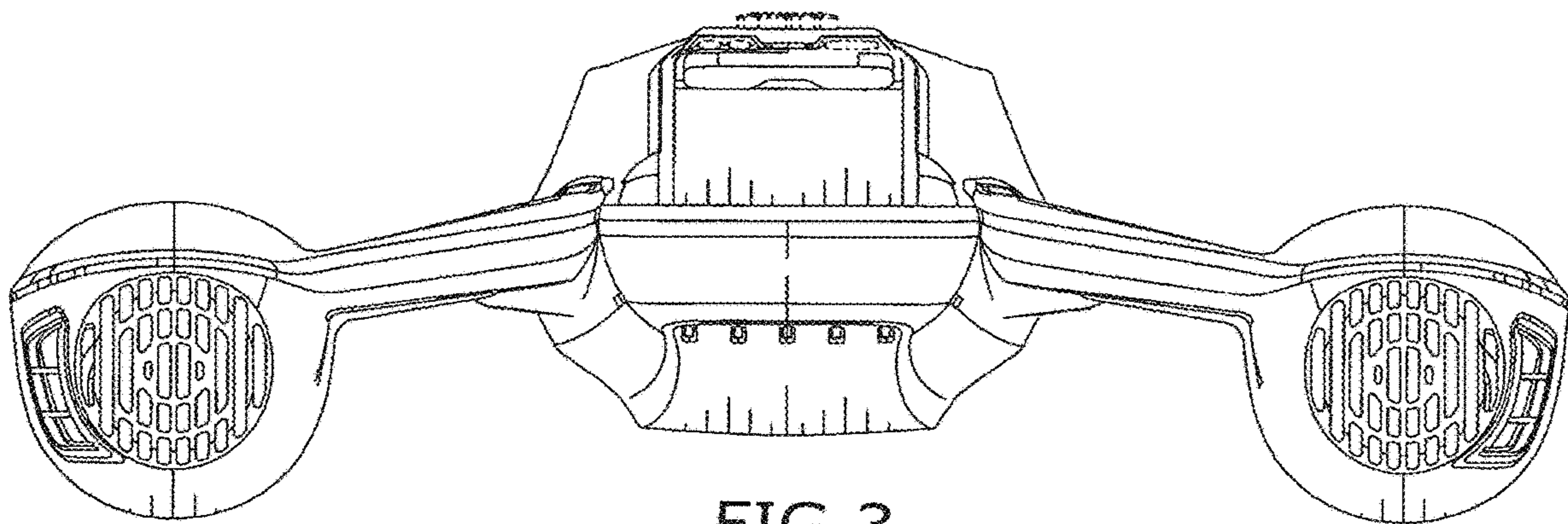


FIG. 3

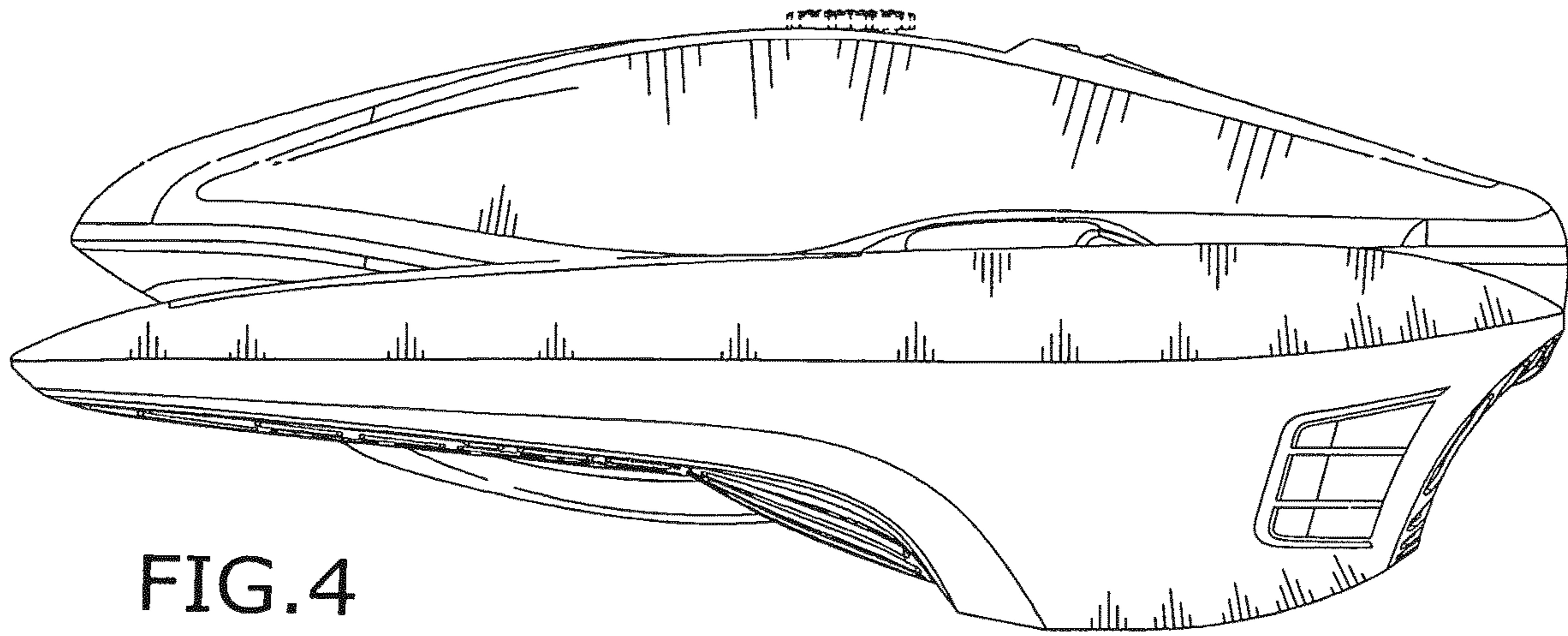


FIG. 4

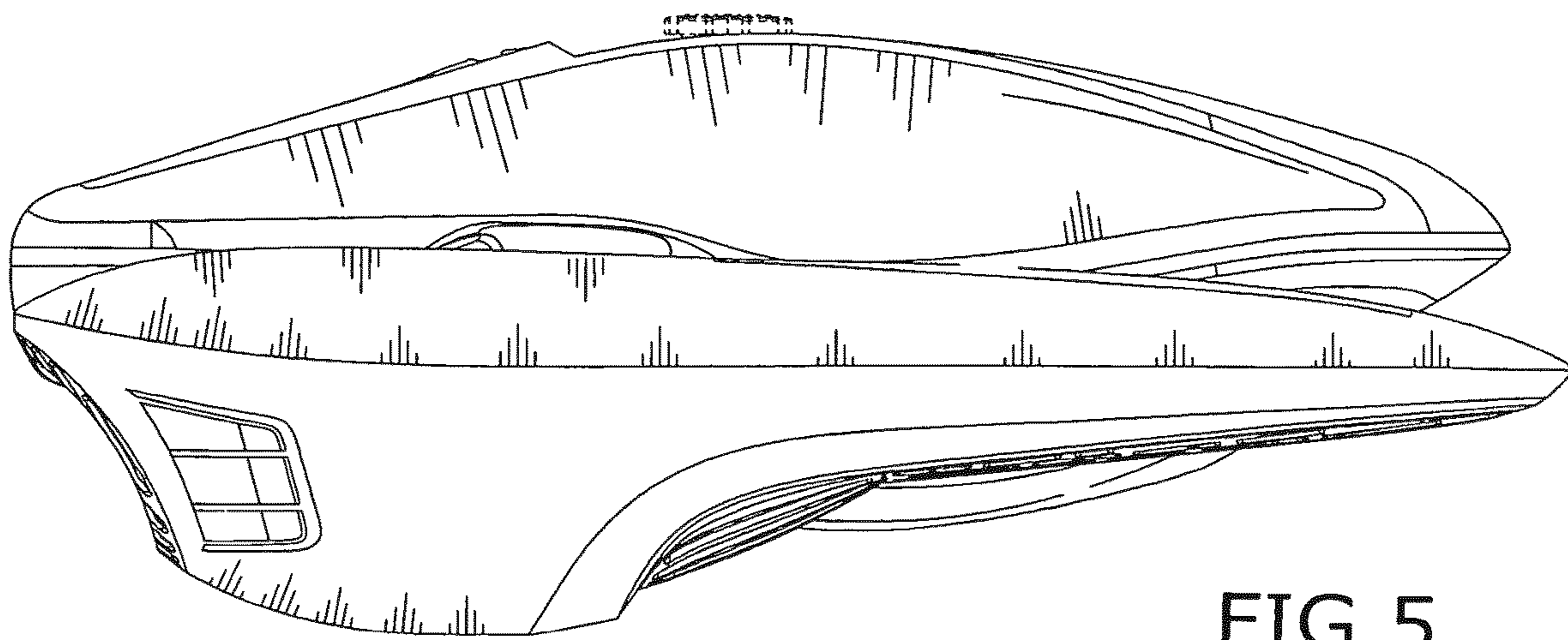


FIG. 5

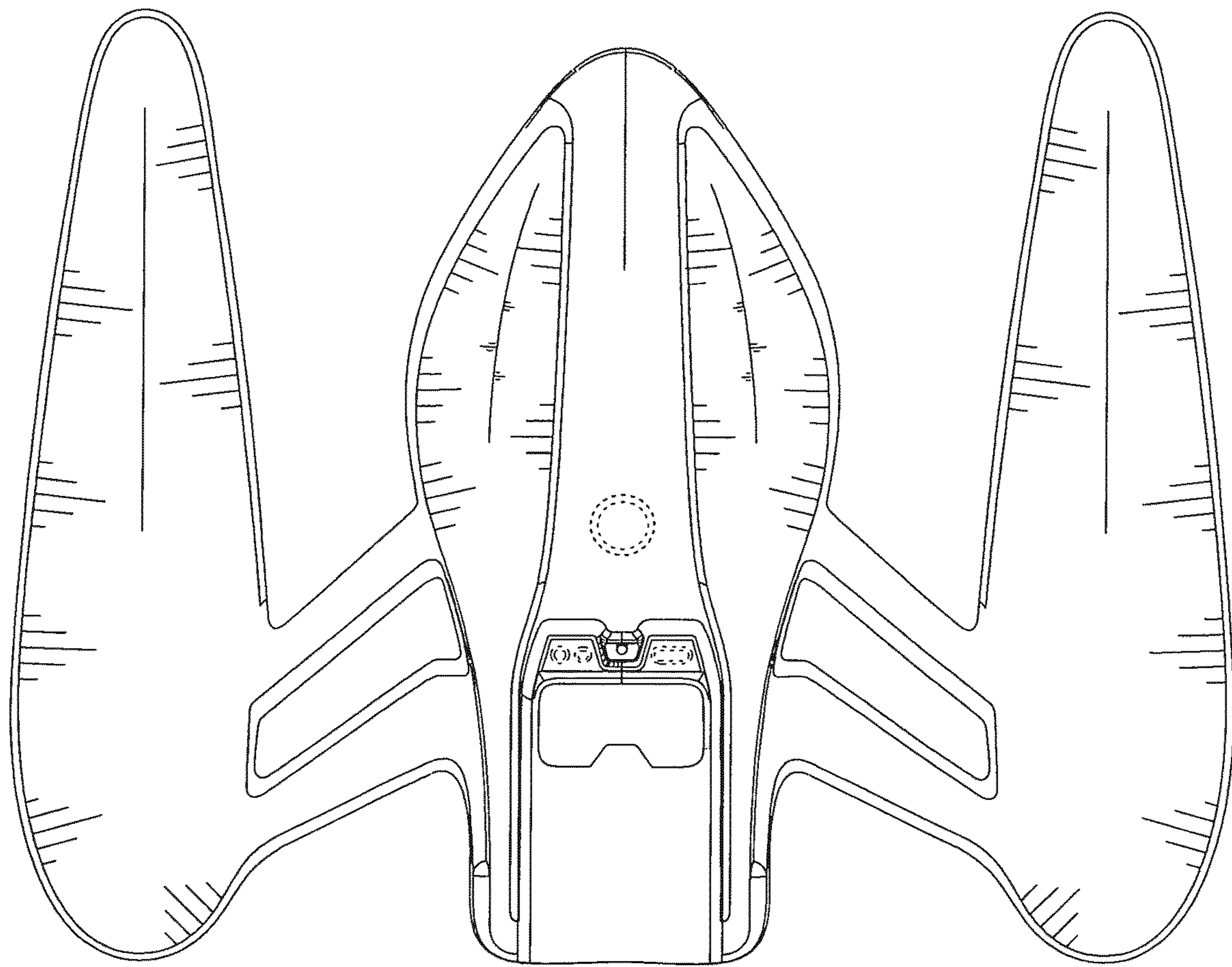


FIG.6

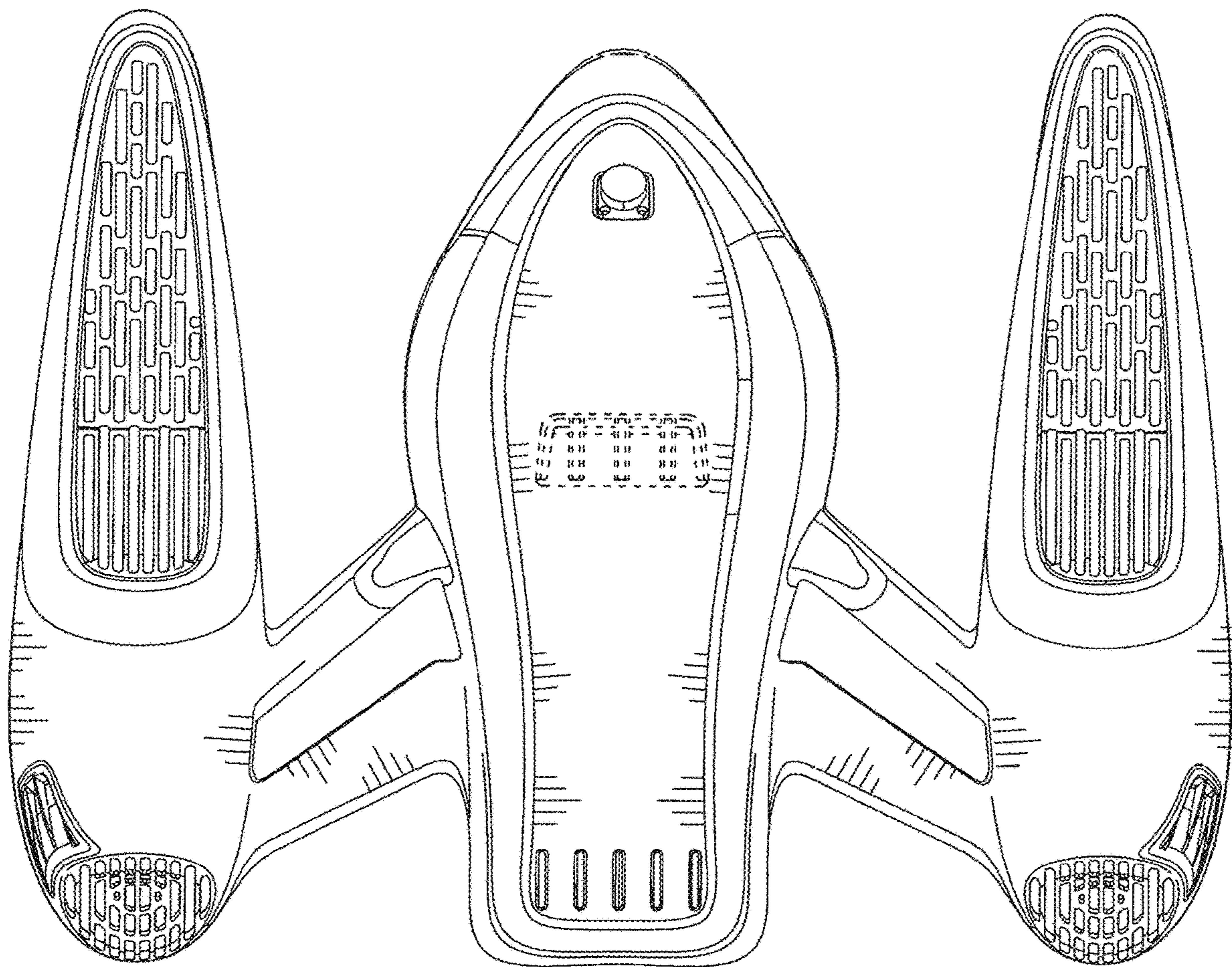


FIG. 7